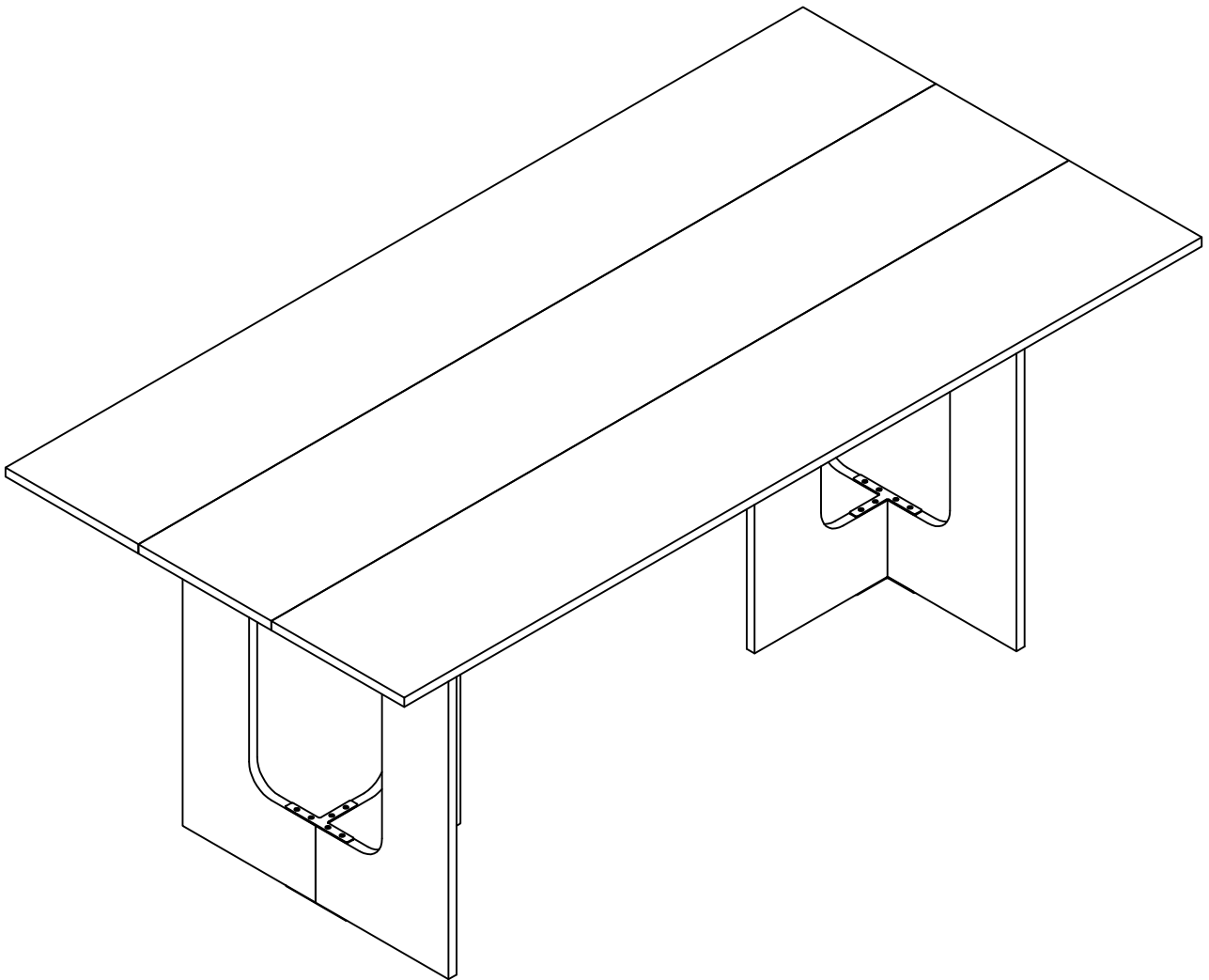


# Installation & Assembly

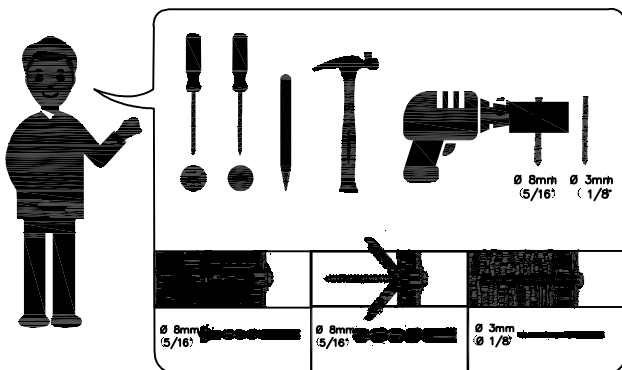


If you encounter any problems during installation, Please contact our customer service.

Important reminder:

- ⚠ Please sort and check all accessories before assembly.
- ⚠ Please place the product on empty cardboard box or carpet to avoid scratches on it,
- ⚠ Please use proper tools for assembly. Using an electric screwdriver can accelerate the assembly speed, but please do not overtighten the screws.
- ⚠ Please follow the assembly steps and do not skip any of them.
- ⚠ If possible, please find a partner to help you with assembly, which can accelerate assembly.
- ⚠ Keep all small parts of this product away from children. They may cause serious injury.
- ⚠ We hope you can retighten the screws 2 weeks after assembly, and check the tightening procedure of the screws every 3 months.

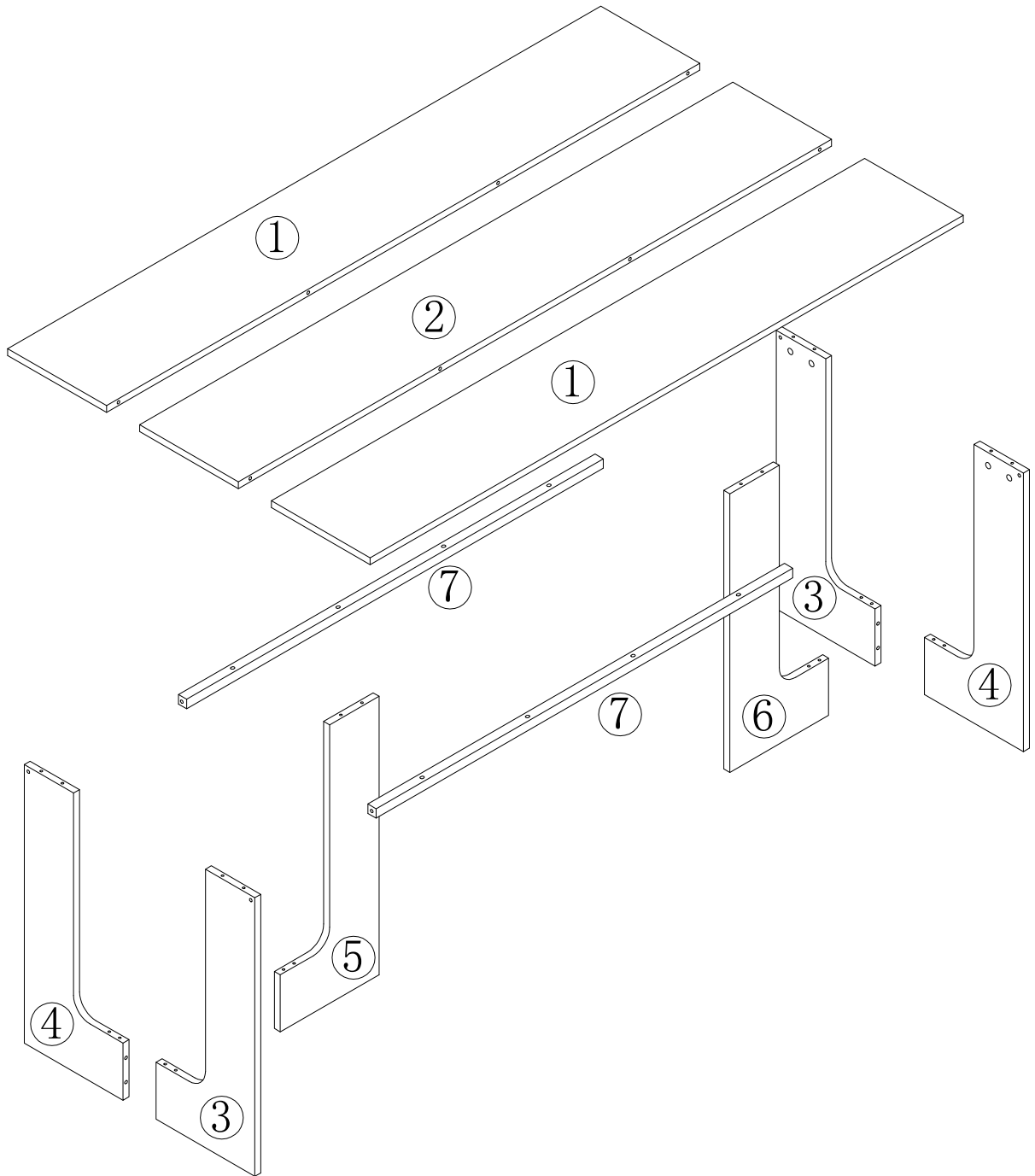
If you meet any difficulty, our friendly customer team are always ready to help you.



Warning: Overturning the product can cause serious crushing injuries. We have a wall connection device attached, please use it to hold the furniture following assembly instructions.

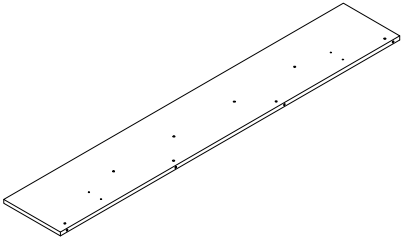
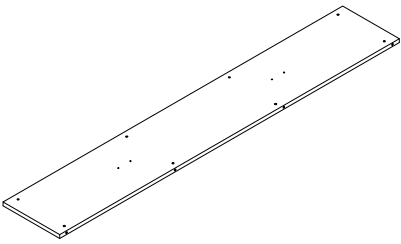
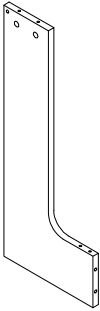
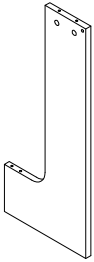
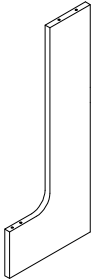
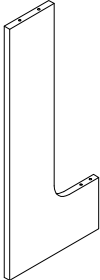
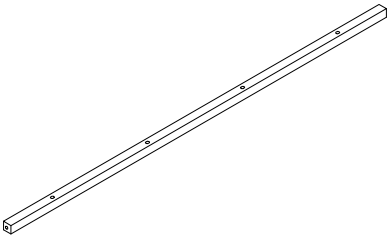
Do not change the structure of this product in any way. Our products have been tested and meet all sales specific security measures. We won't be responsible for any modifications, which may cause significant security risks.

Static charge may cause dust on foam—clean with a dry or damp cloth. Small foam strands may be present—handle gently and dispose of properly. Do not burn or incinerate. Check local recycling guidelines.

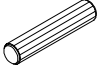

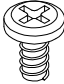


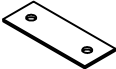
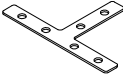
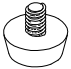
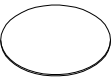


If you encounter any problems during installation, Please contact our customer service.

# Parts and Operation Elements

					
①	2Pcs	②	1Pc	③	2Pcs
					
④	2Pcs	⑤	1Pc	⑥	1Pc
					
⑦	2Pcs				

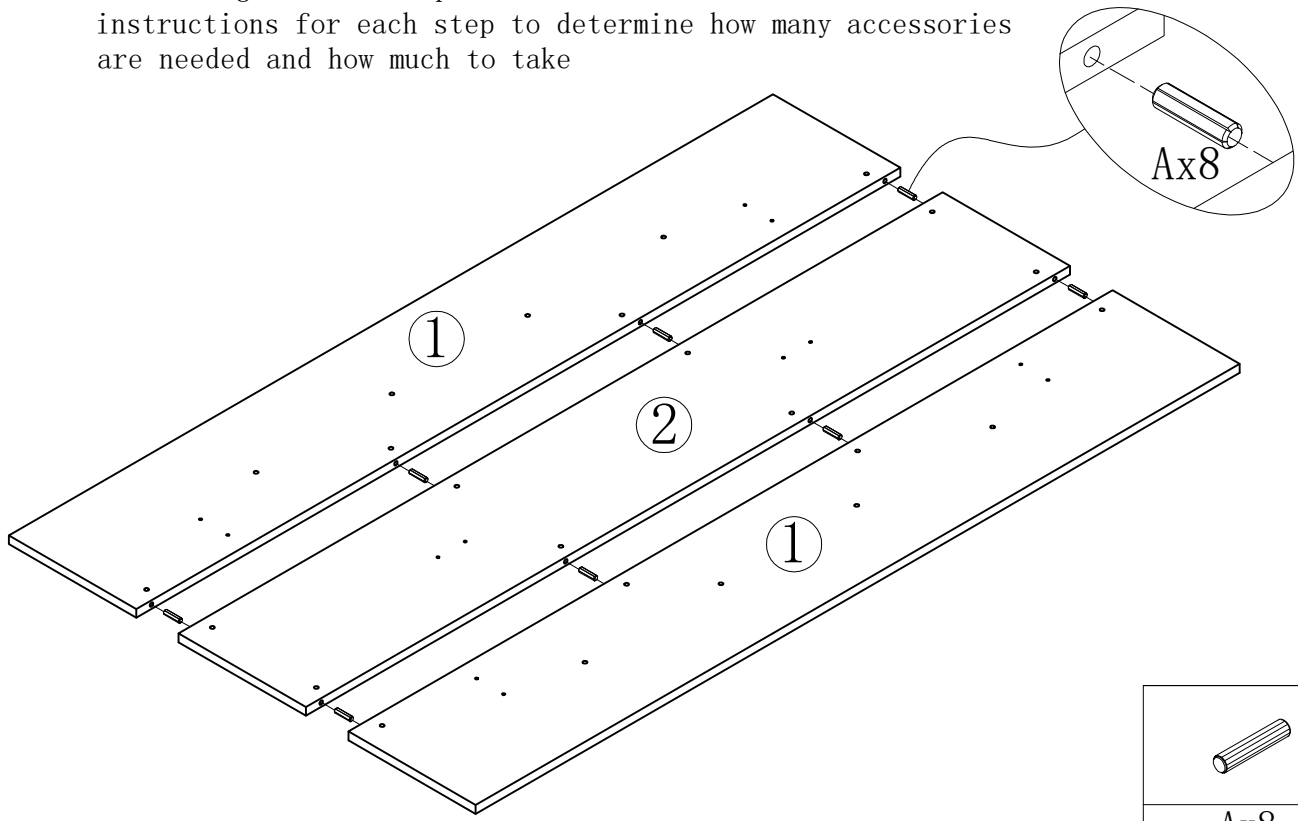
## HardWare

 ø8*30				 M6*14mm Screw			
A	12 PCS+2PCS	B	12 PCS+2PCS	C	40PCS+2PCS	D	12 PCS +2PCS
 M6*35mm Screw							
E	12 PCS +2PCS	F	8PCS	G	4PCS	H	6PCS
							
I	12 PCS +2PCS						

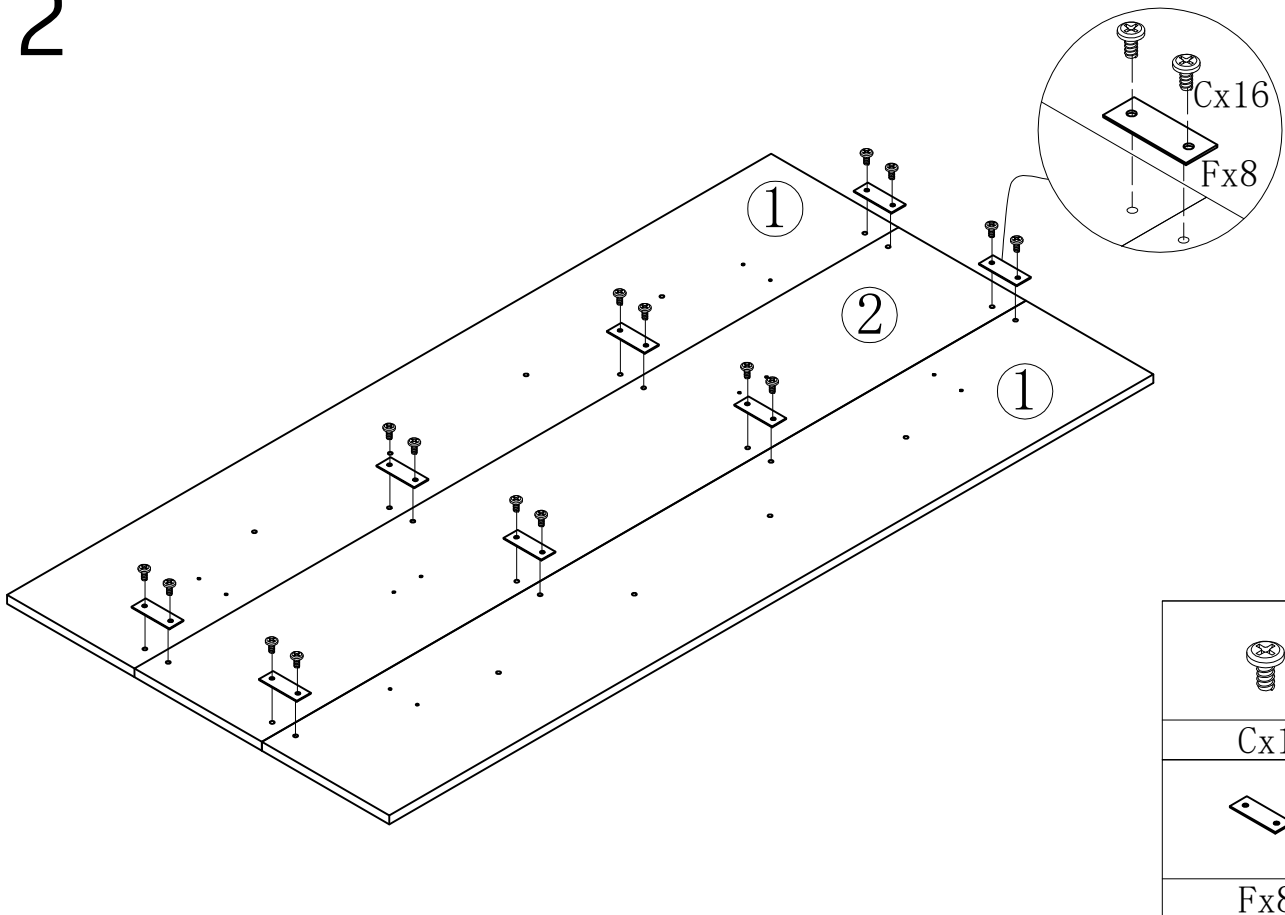
If you encounter any problems during installation, Please contact our customer service.

# 1

Firstly, please take out all the boards from the packaging box and arrange them in order for easy access to the boards. Then take out all the hardware from the hardware package and arrange them in alphabetical order. Follow the instructions for each step to determine how many accessories are needed and how much to take.

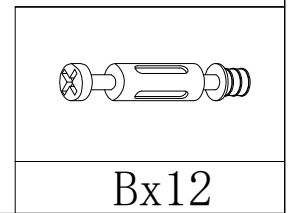
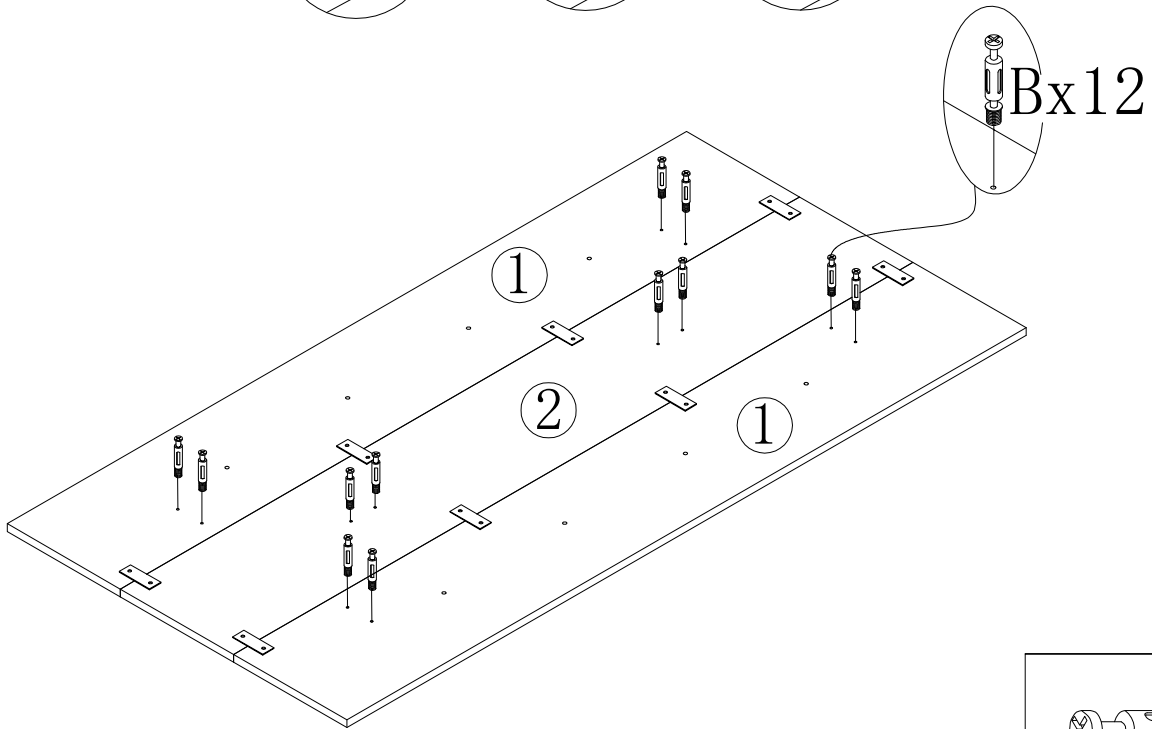
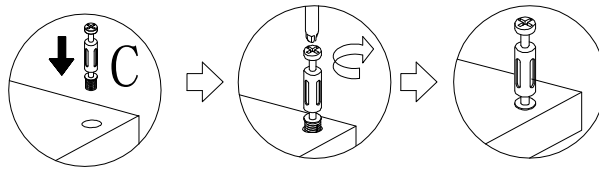


# 2



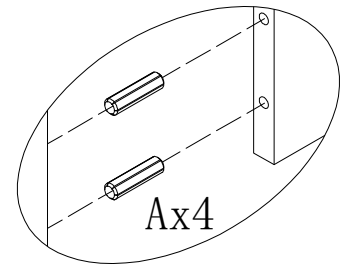
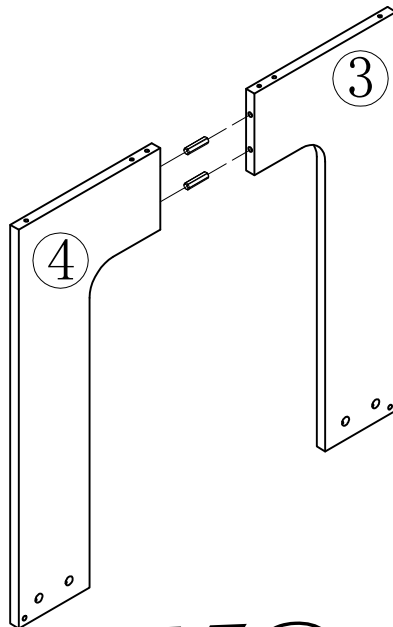
If you encounter any problems during installation, Please contact our customer service.

3

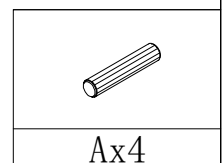


Bx12

4



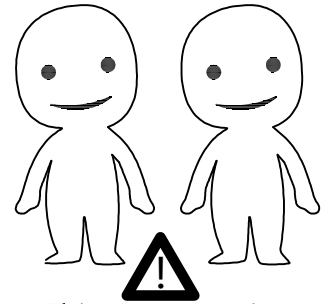
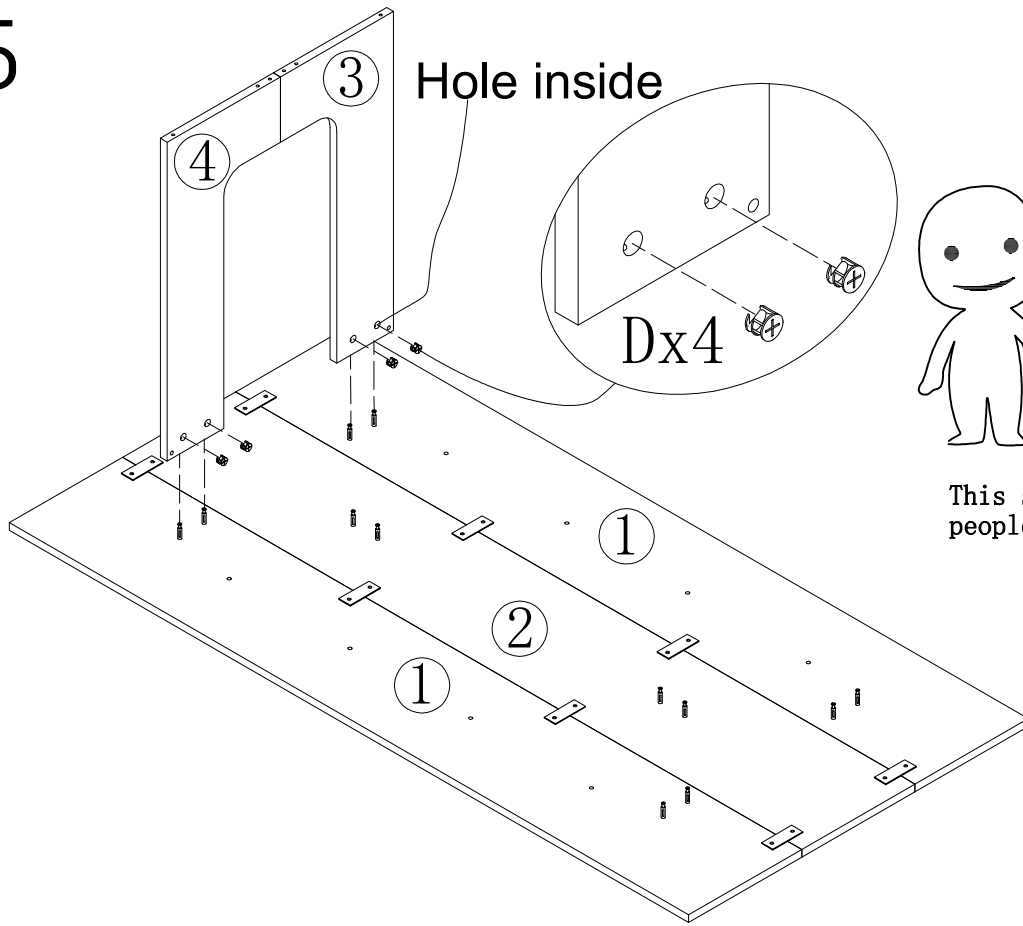
X2



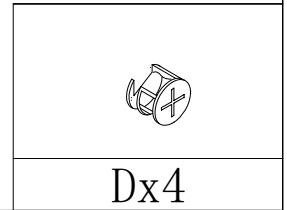
Ax4

If you encounter any problems during installation, Please contact our customer service.

5

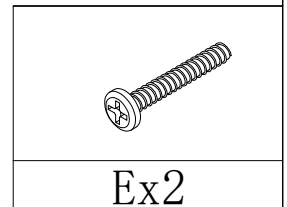
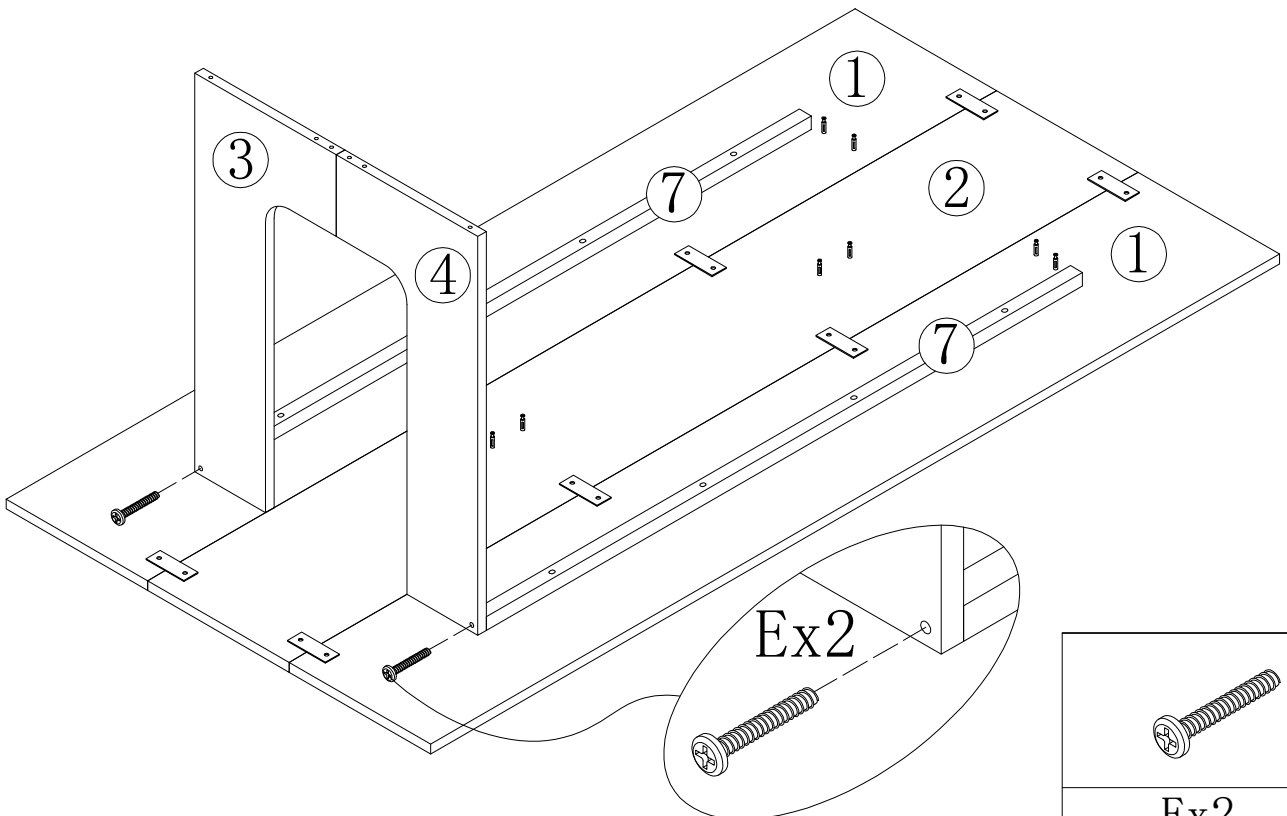


This step requires two people to complete



Dx4

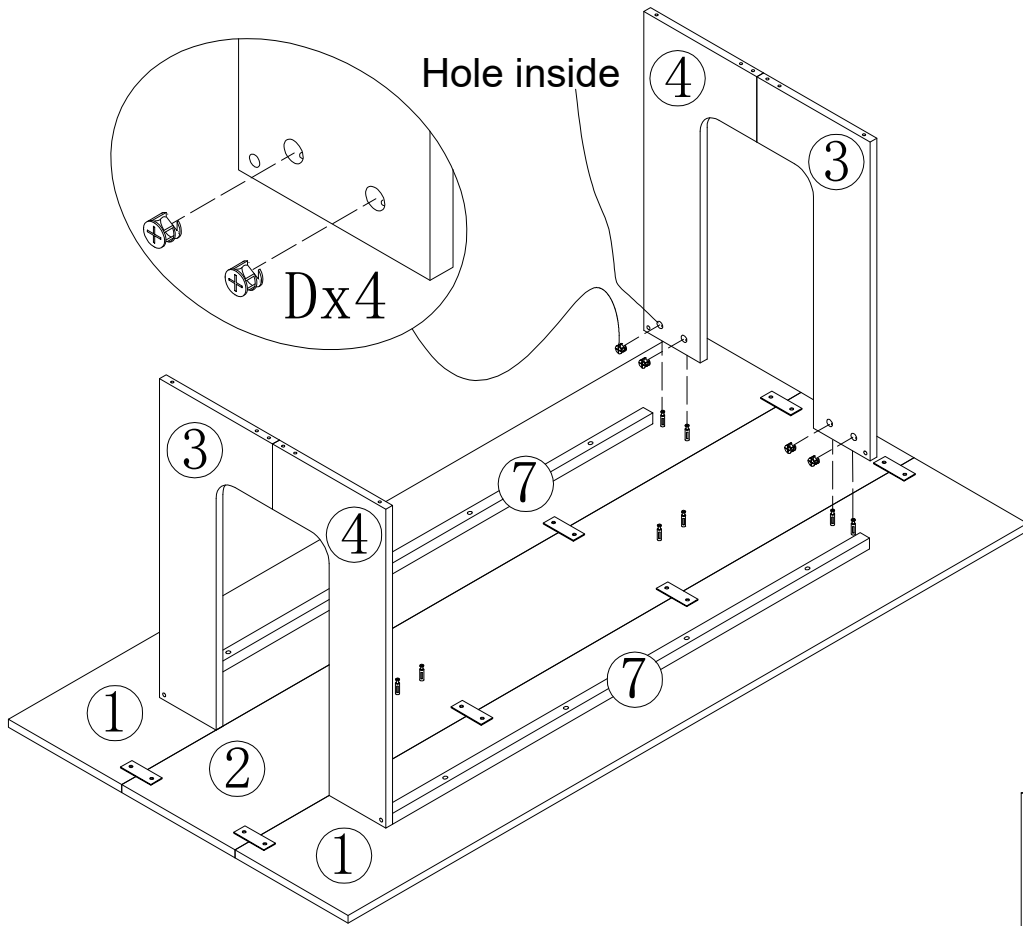
6



Ex2

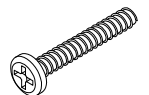
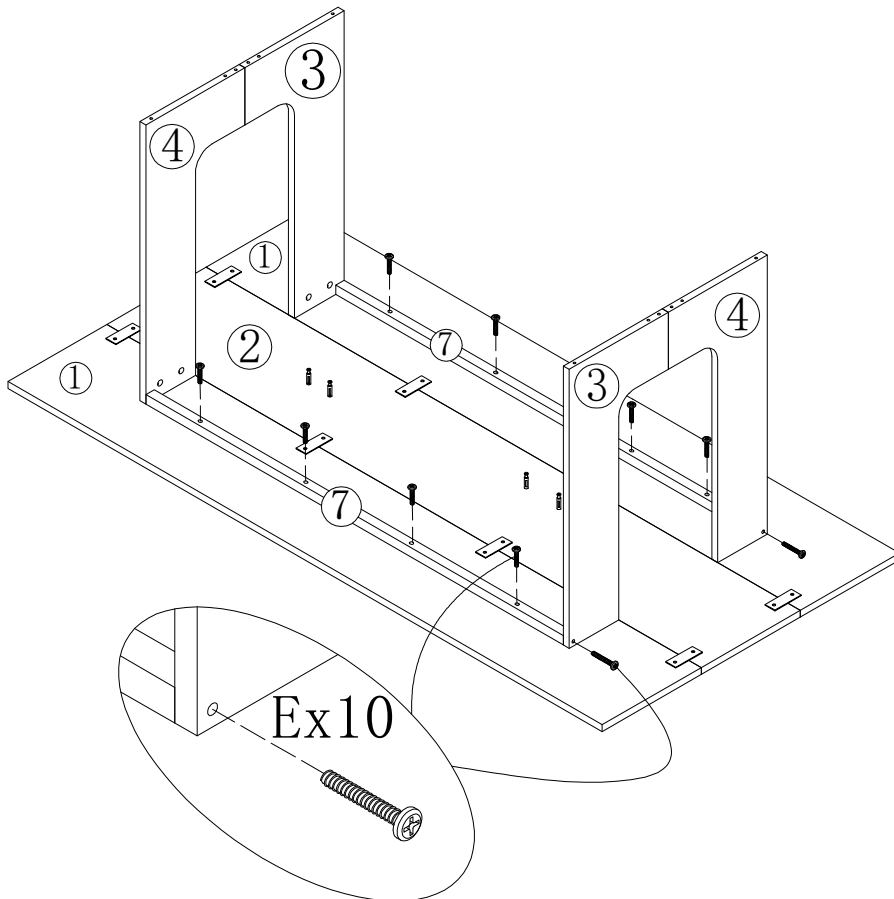
If you encounter any problems during installation, Please contact our customer service.

7



Dx4

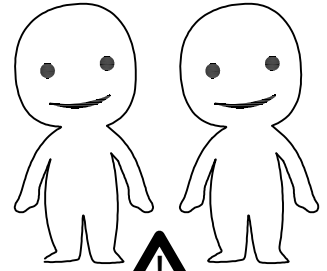
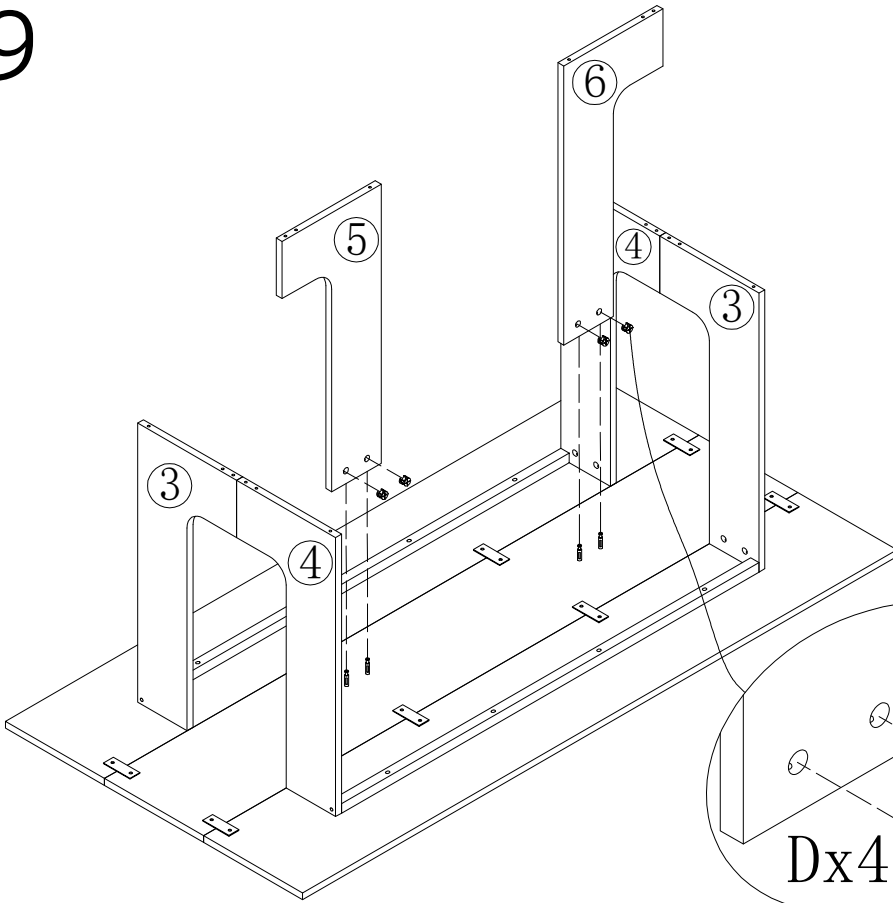
8



Ex10

If you encounter any problems during installation, Please contact our customer service.

9



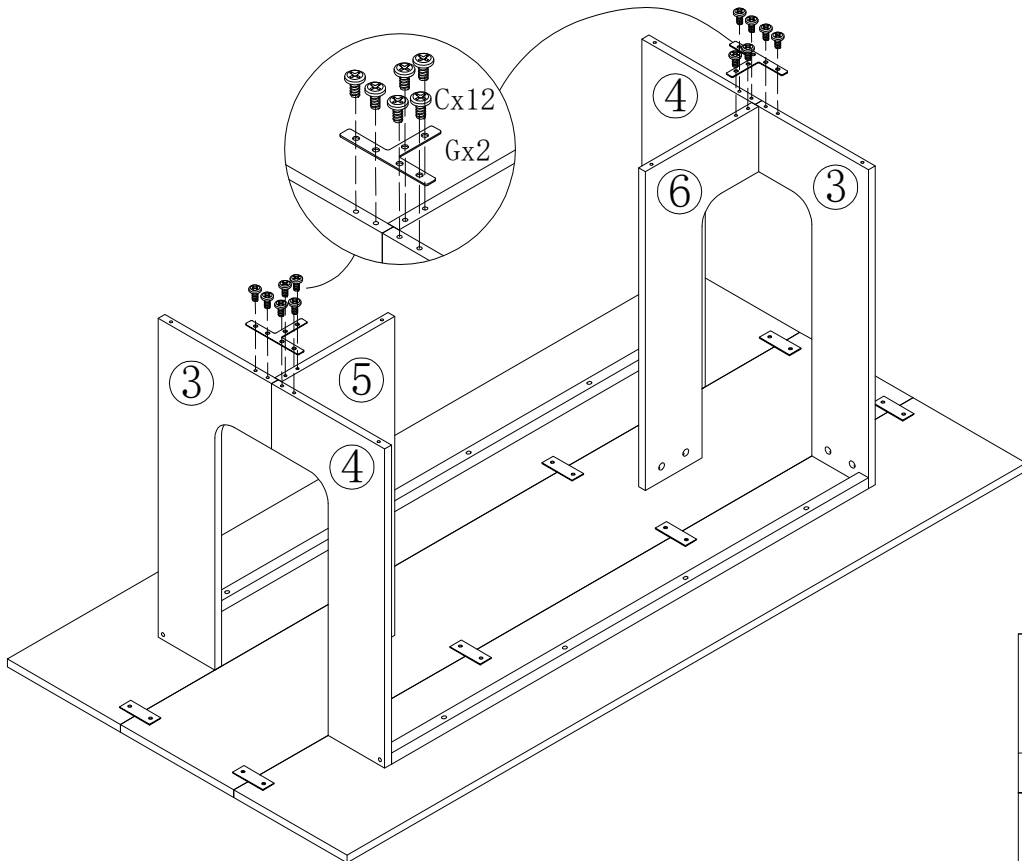
This step requires two people to complete

Dx4

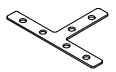


Dx4

10



Cx12  
Gx2



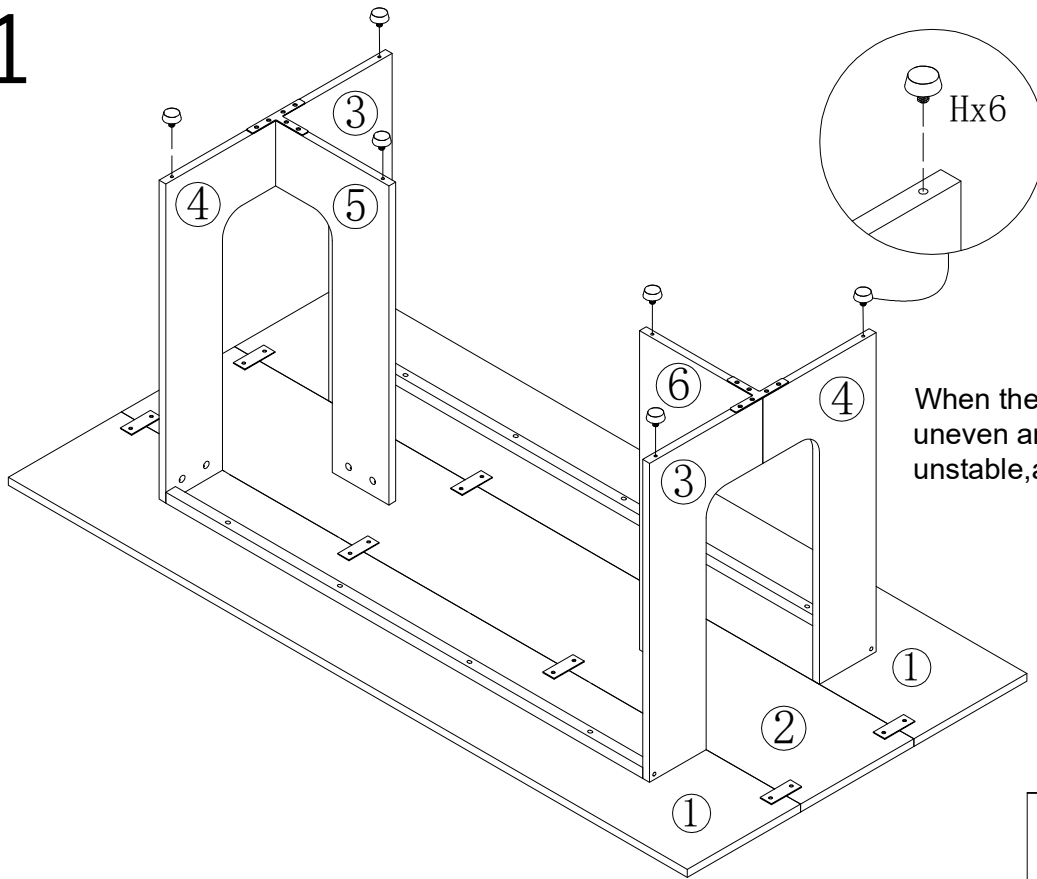
Gx2



Cx12

If you encounter any problems during installation, Please contact our customer service.

# 11

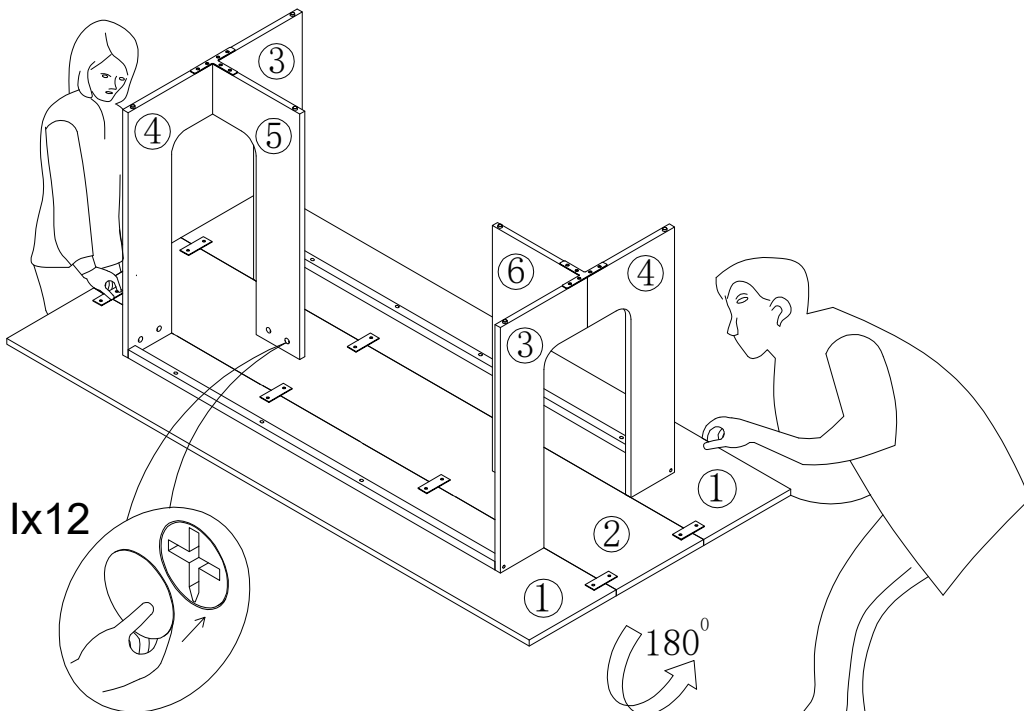


When the ground is uneven and the table is unstable, adjust the feet H



Hx6

# 12



Ix12



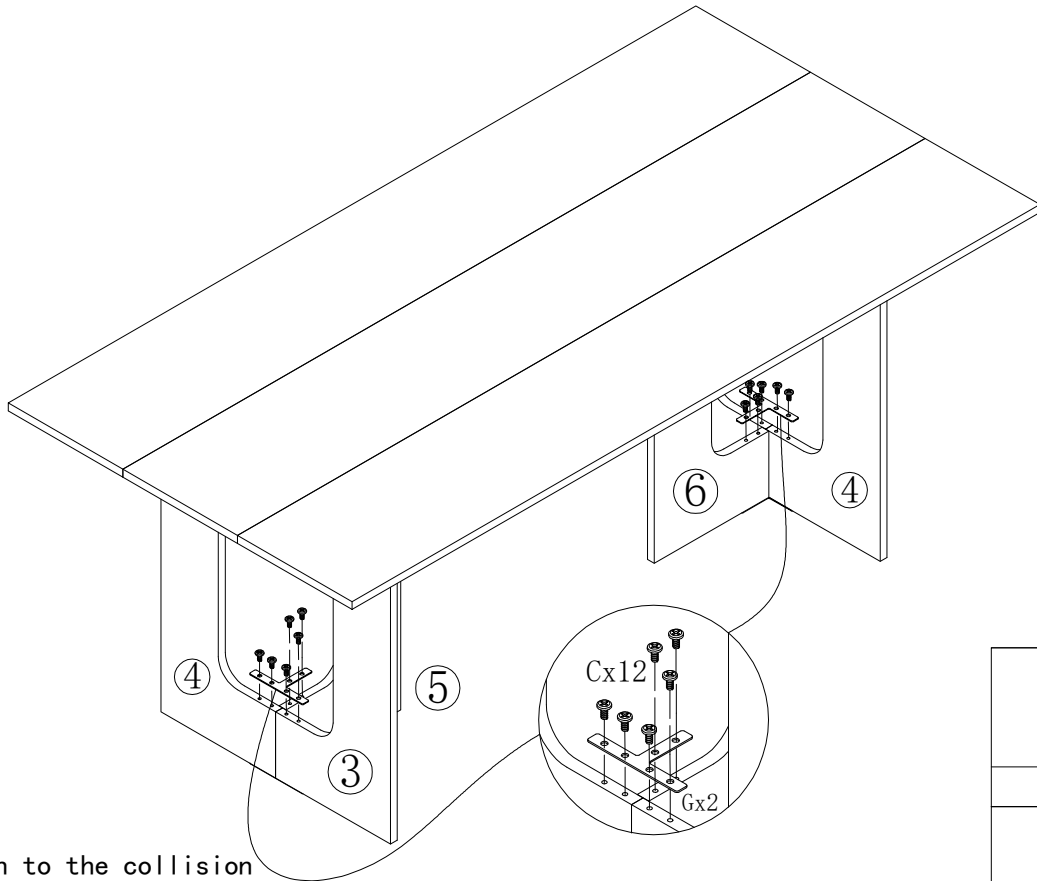
This step requires two people to complete



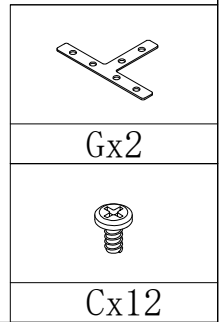
Ix12

If you encounter any problems during installation, Please contact our customer service.

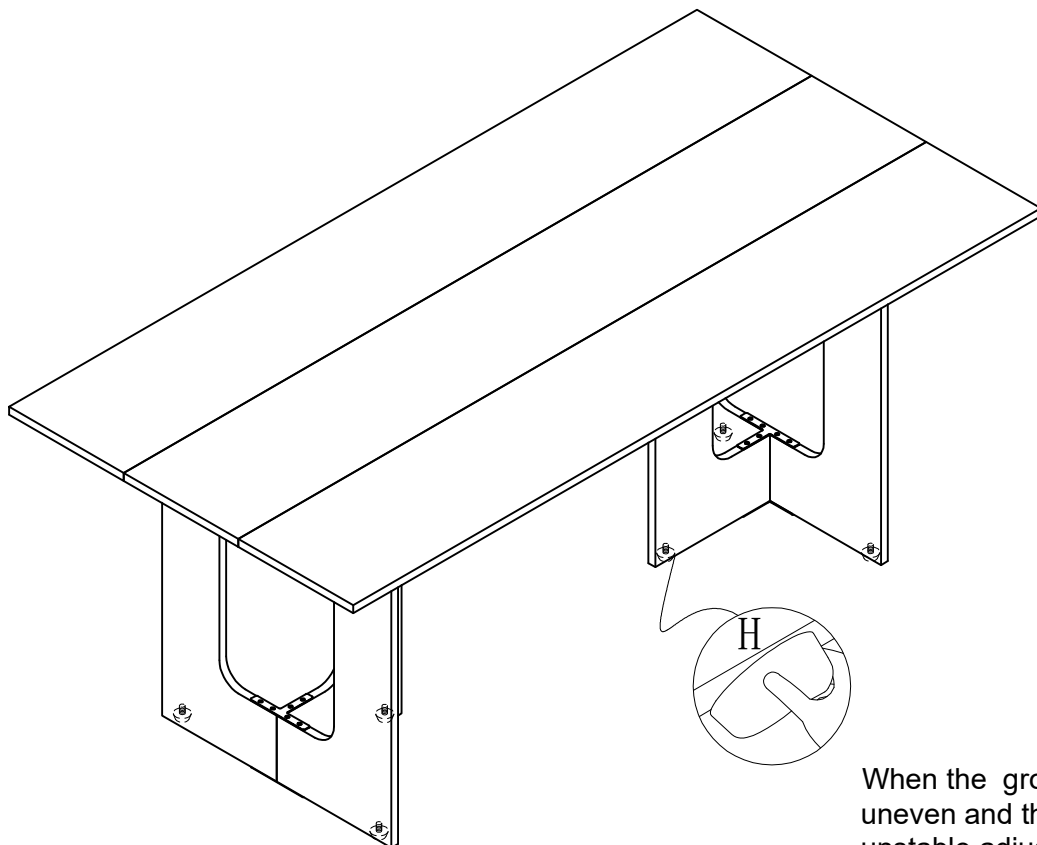
# 13



Pay attention to the collision between the head and the table when locking the iron plate



# 14



When the ground is uneven and the table is unstable, adjust the feet H

If you encounter any problems during installation, Please contact our customer service.