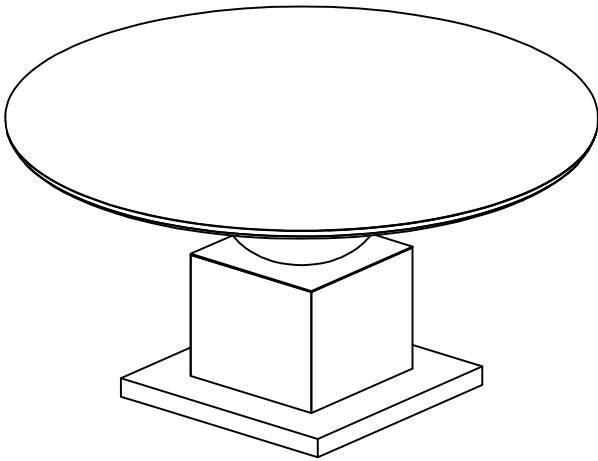
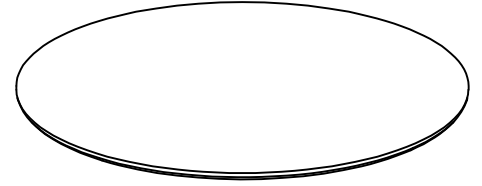


ASSEMBLY INSTRUCTIONS

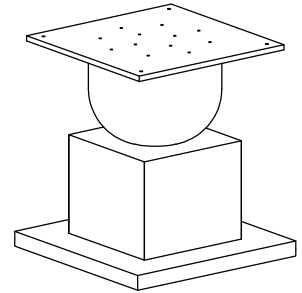


+Parts Included

① Table top (1 pc)



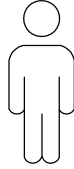
② Table base (1 pc)



+Do Not Use Power Tools



+Suggested Adults



NOTE:

- 1 Read instructions cover to cover.
- 2 Save all packaging until assembly is completed.

1 IMPORTANT SAFETY INFORMATION

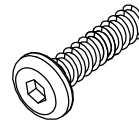
- Do not** assemble the product if the parts arrived damaged.
- Do not** assemble if Hardware parts are missing.

2 IMPORTANT ASSEMBLY INFORMATION

Assembly Step If loosening persists, please make sure to tighten all the bolts periodically, or use a thread locker adhesive.

+Parts Included

A. Bolt
Ø8x45mm (4 pcs)



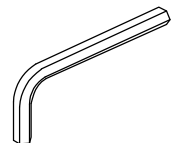
B. Spring Washer
Ø8xØ13mm (4 pcs)



C. Flat Washer
Ø8xØ19mm (4 pcs)

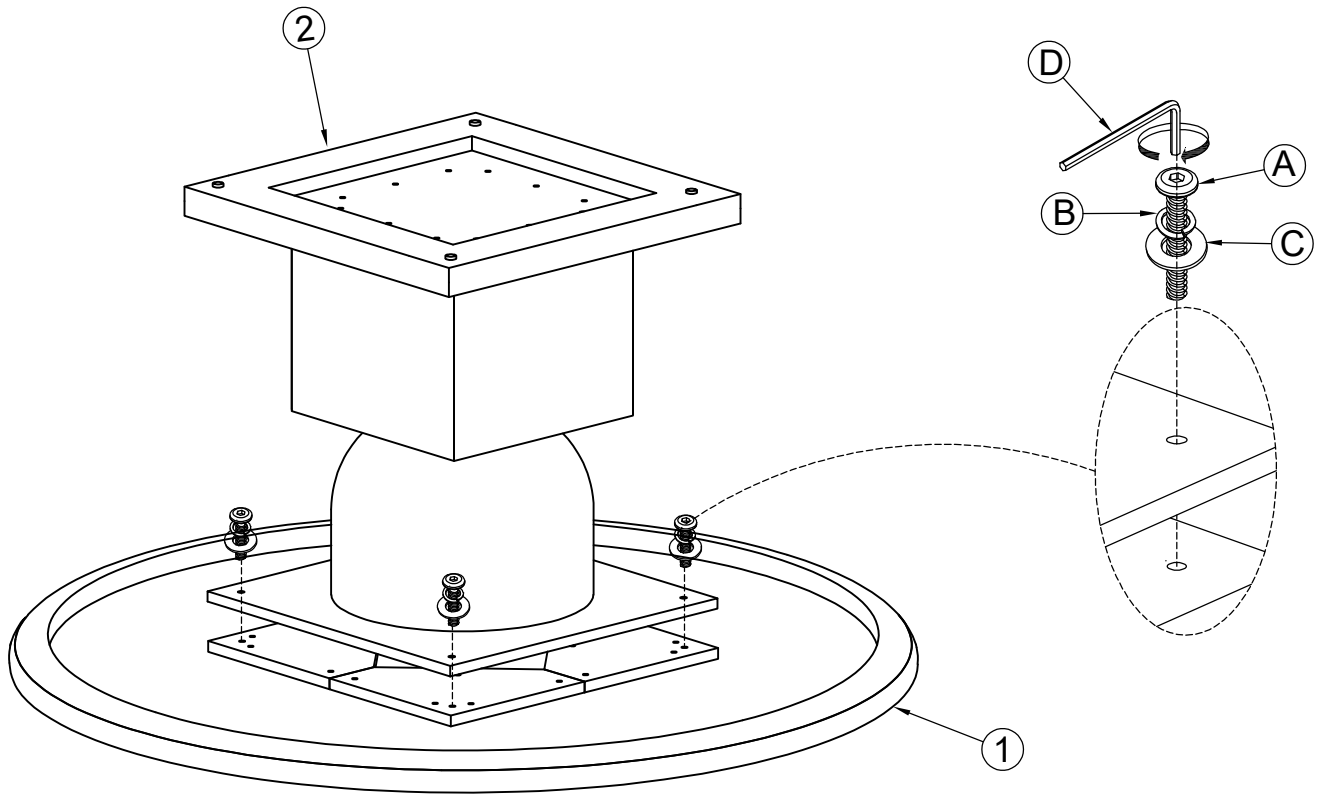


D. Allen Key (1 pc)



ASSEMBLY INSTRUCTIONS

①



②

