



Elevating office desk

Operation guide



Before first use
Please read this manual carefully!
Be sure to follow the instructions!
Violation of the operation may result
in dangerous injury!
Please keep this manual!



Please read carefully
Retain important information for further reference

Matters needing attention

In order to avoid damage and injury caused by improper use please read this manual carefully before use.

The company does not assume any responsibility for the damage and human injury caused by the individual's failure to follow the instructions.

Assembly item

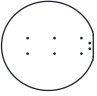

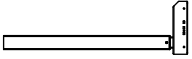


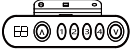



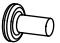
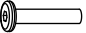



If it is used for the first time, please reset it. Please refer to Manual Controller Operation Guide.

It is recommended to check regularly whether the screw torque of the product is tightened to ensure safe use.

warning

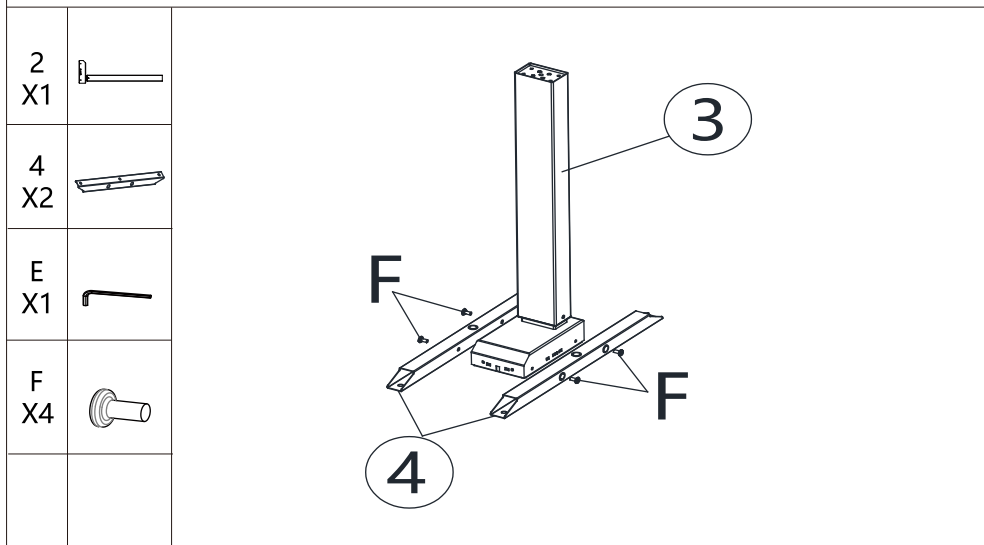
All parts and packaging should be kept away from children and pets during assembly, as they may pose a potential hazard of injury and choking. Keep sharp objects or corrosive chemicals away from the product to prevent damage. When opening the box, sharp objects should be slowly prohibited to prevent scratching the product. Do not use in the sun or exposure for a long time to avoid discoloration.

Product list

Serial number	name	diagram	quantity
1	desktop		1
2	base		1
3	Table leg		1
4	beam		2
A	Power supply		1
B	Manual controller		1
C	door mat		4
D	Insulating bushing		5
E	4MM wrench		1
F	M6*12 screws		14
G	M6*50 screws		6
H	Shim		6
L	4MM power tools		1
I	gusset plate		2

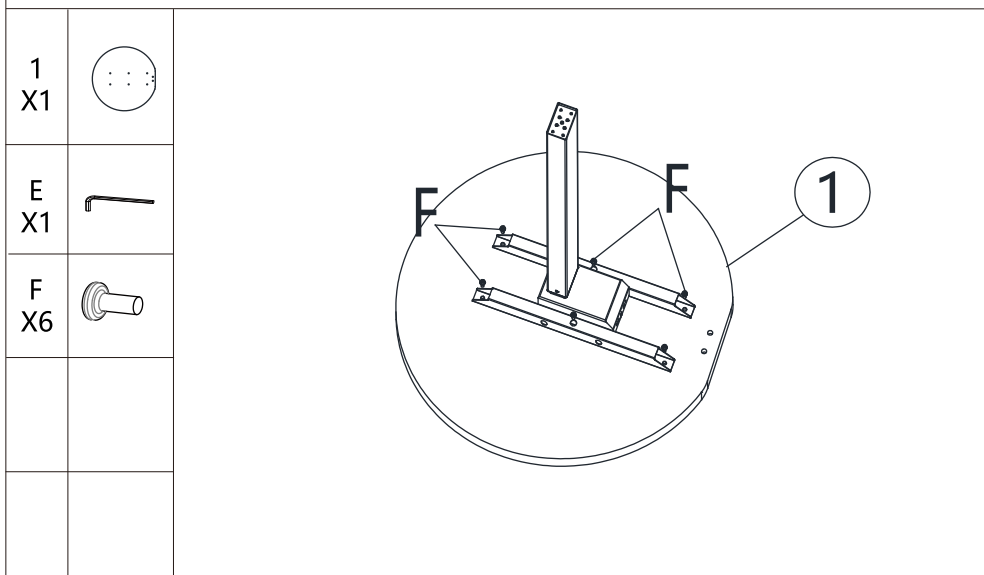
Step 1: Install the beam

- Be careful to distinguish the beam mounting holes
- With 4MM wrench (E), assemble the table leg (2) and beam (4) with M6*12(F).



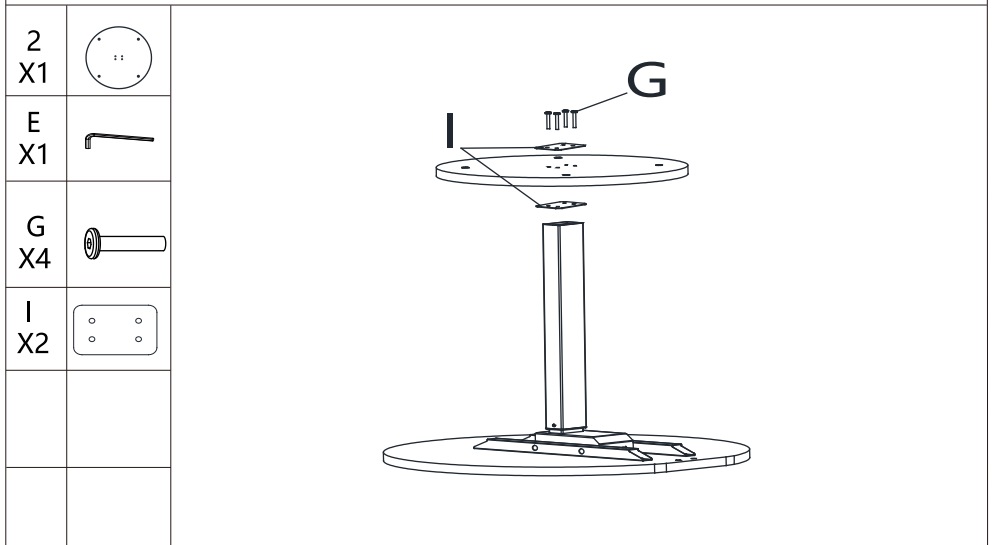
Step 2: PANEL MOUNT

- Use a 4mm wrench (E) and M6 * 12 screws (F) to assemble panel (1) and legs (3)



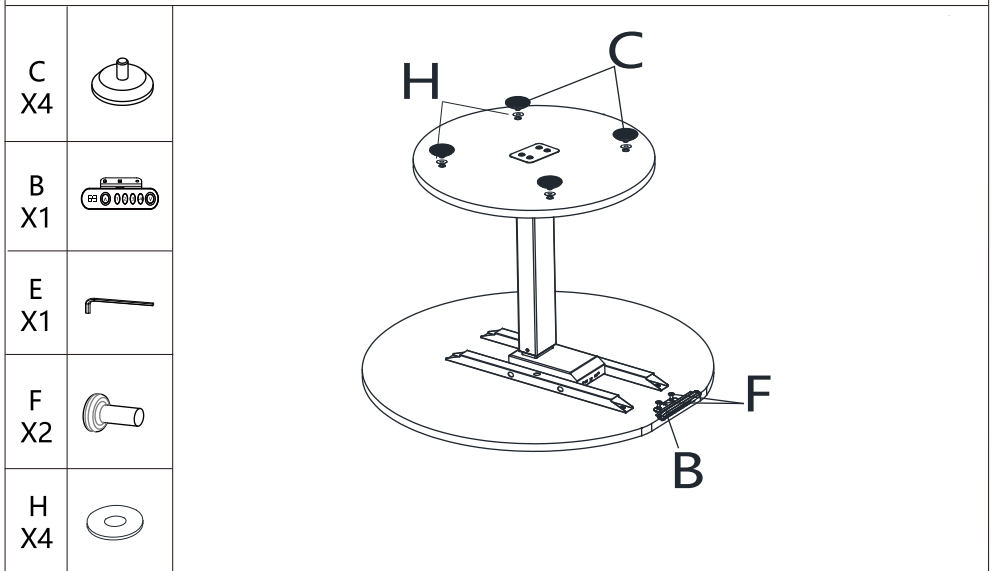
Step 3: Bottom plate assembly

- Attention: Before installation, it is necessary to keep the four screw holes on the fixed plate (I) aligned vertically!.
- Using a 4MM wrench (E), thread the M6 * 35 screw (G) through the fixed screw hole, confirm everything is normal, and then tighten the screw!



Step 4: Installation of floor mats and hand controllers

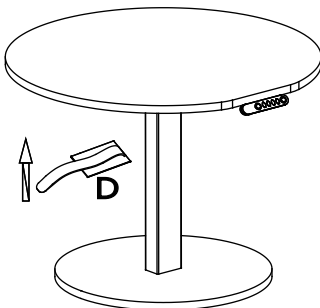
- Take the foot pad (C) and screw it into the reserved installation nuts on the bottom plate in sequence. Before installation, add one gasket (H).
- Place the controller (B) into the reserved installation hole on the desktop, use a 4MM wrench (E), M6 * 12 screws (F), and tighten the screws!



Step 5: Secure the wiring harness

- Use the wire card (D), remove the surface protective film, paste the wire card to the panel, fix the excess wire harness,

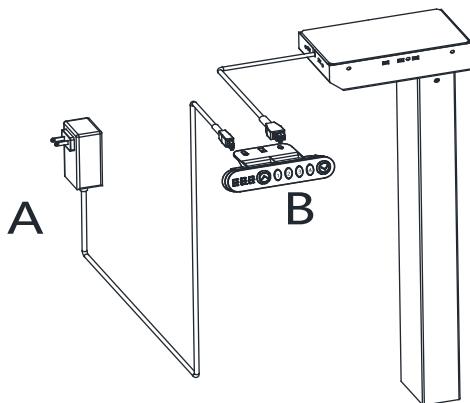
D
X8



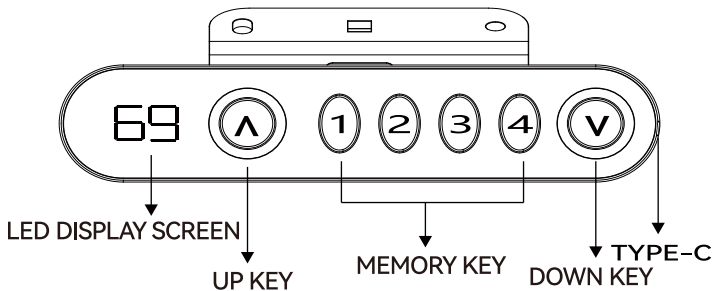
Step 6: Electric control system assembly

- Note: Be sure to insert the power cable and fasten the safety buckle, insert the RJ45 terminal, and insert the motor cable. Use electricity.

A
X1



MANUAL CONTROLLER INSTRUCTIONS



FUNCTION DESCRIPTION

Key Name	Operating instructions	BUTTON TIME	ACTION PROCESS	DESCRIBE
∧	Height up and down	Long press	Press and hold the up button, the desktop will rise, and the LED will display the real-time height value. Release the button and the desktop will stop running.	1. The lifting process will gradually accelerate or decelerate to the required speed when starting or stopping
V	Downset Height	Long press	Press and hold the down button, the desktop will descend, and the LED will display the real-time height value. Release the button and the desktop will stop running.	2. Slow stop must have a maximum time requirement, and if it exceeds the time limit (tentatively set at 3 seconds), it must be cut off
1/2/ 3/4	Set high memory	Long press	Long press the corresponding number button to memorize the current location for 3 seconds	After high memory, it cannot be cleared, and the height can be reset to overwrite.
1/2/ 3/4	Execute high memory	Click on the number key	In normal mode, pressing the number keys will call up the corresponding height, and the lifting table will automatically run to the corresponding position.	Press any key during the execution process to stop the action
∧V	reset		When this program is executed, the table will automatically descend to reset and the screen will display "000"	During the reset process, all protective functions fail.
1/4	Child lock setting	Long press for 3 seconds	When executing this program, all keys will be disabled and the screen will display OFF	To unlock, long press and hold the 1 and 4 buttons for seconds

MANUAL CONTROLLER INSTRUCTIONS

TROUBLESHOOTING GUIDE:

If your desk is not working properly, it may need to be reset. If it encounters any error codes, you can try resetting it. If it cannot be restored to normal, please contact me

1. During daily maintenance, use a clean soft cloth to wipe away surface dust. Do not wipe the desktop with a damp cloth or hard material
2. Avoid contact with acidic chemicals on the surface.
3. Gently wipe away minor scratches and use a soft cloth to gently wipe
4. Avoid directly sticking the tape to the outer surface of the metal base to prevent paint peeling off
5. Power supply: AC110V-240V50/60HZ.
6. Operating environment: Temperature range of 0-40 ° C, keep the product away from corrosive gases, liquids, and dust objects. Outdoor use is prohibited.
7. Do not operate the system in a damp environment, and do not operate any electrical components in contact with liquids.
8. Before cleaning, unplug the power plug and use a slightly damp cloth to wipe away surface dust. Be careful not to let water droplets enter internal parts and do not loosen connectors.