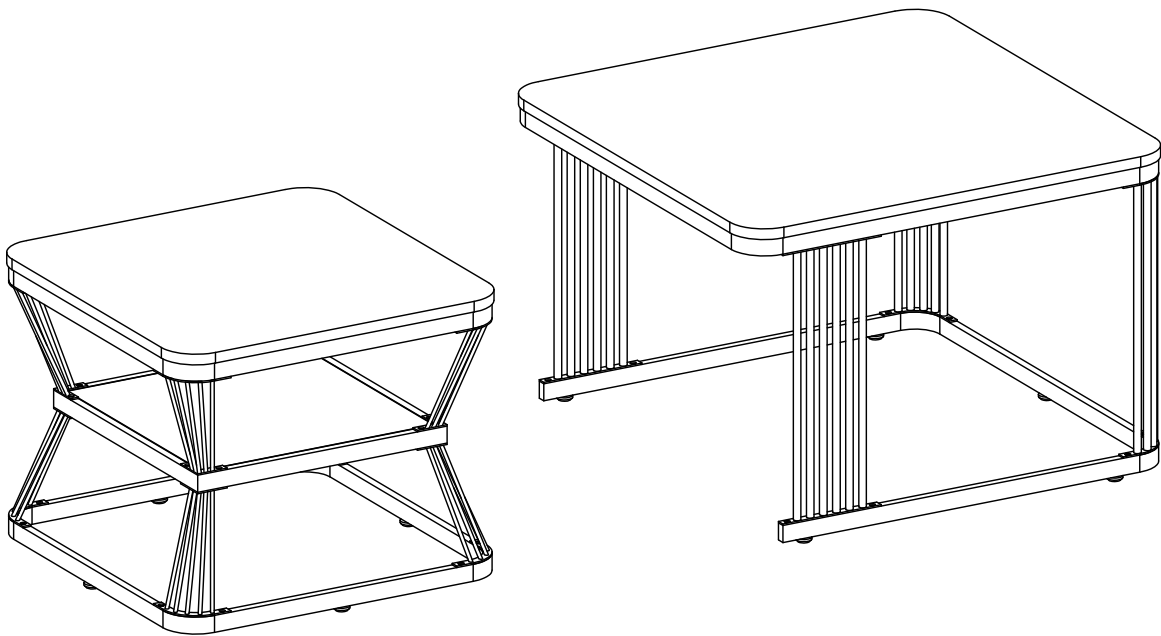
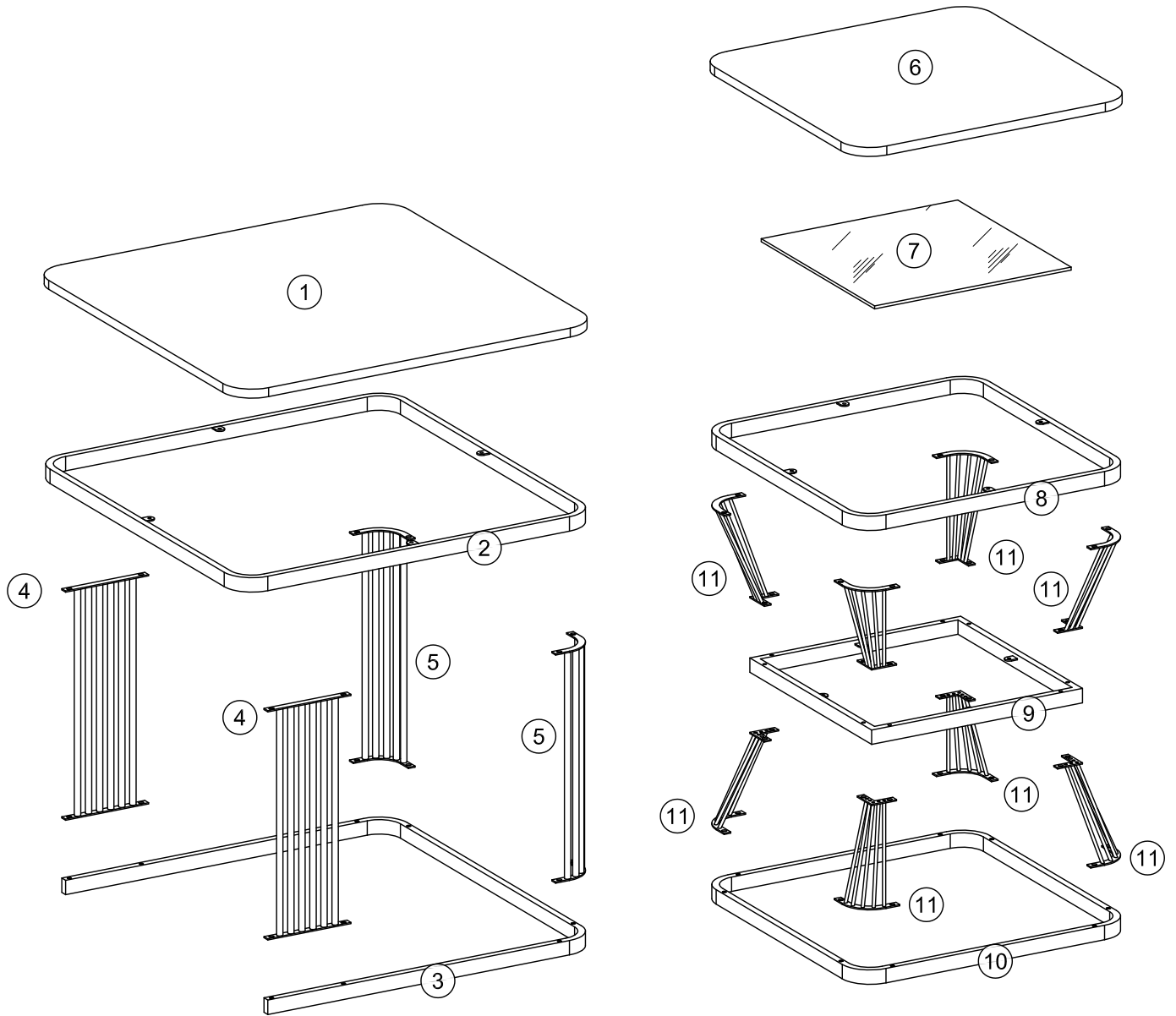


Installation & Assembly

Coffee Table 1+1

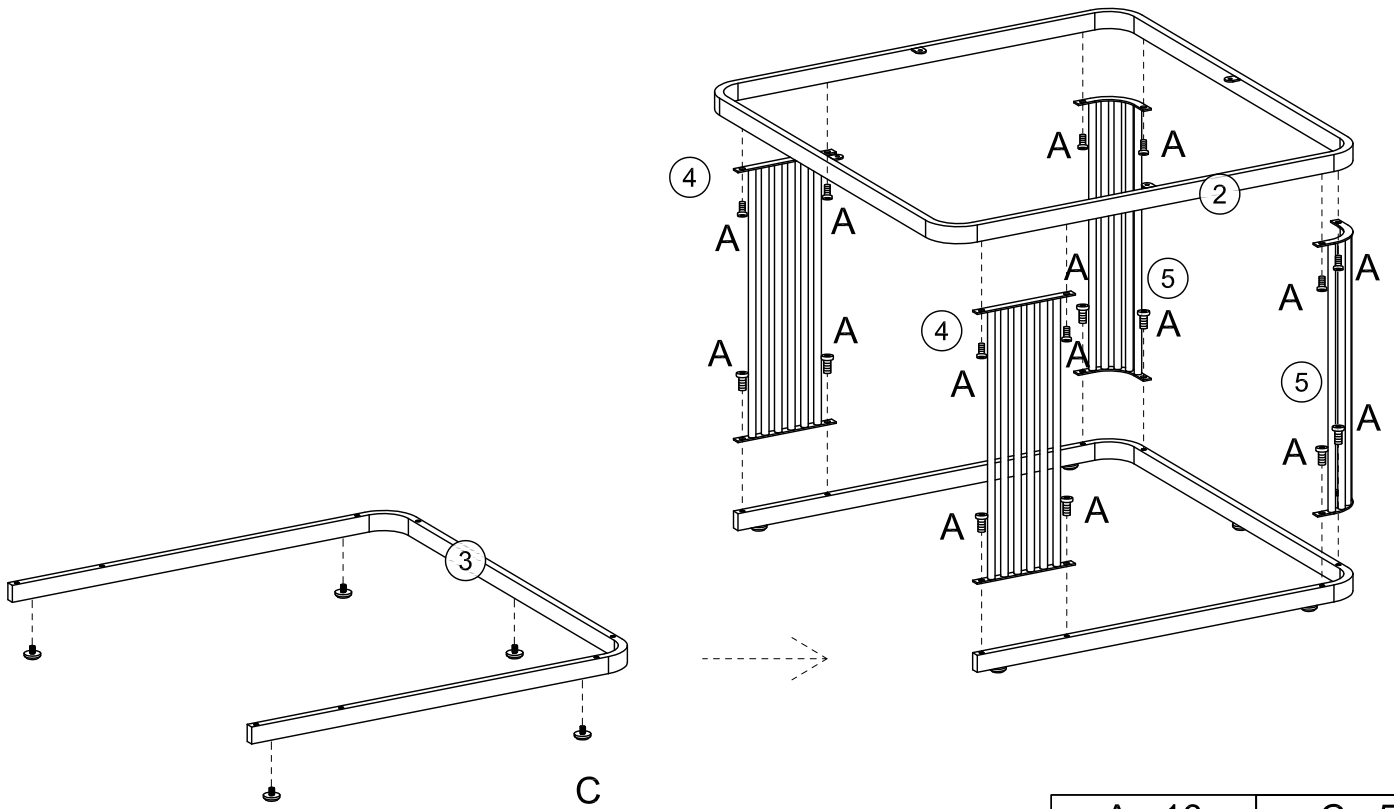


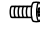

- **Remove all fittings from the plastic bags and separate them into their groups.**
- **Keep children and animals away from the work area, small parts can suffocate if swallowed.**
- **Parts of the assembly are easier with 2 people.**
- **Make sure you have enough space to arrange the pieces before you begin.**
- **Do not stand on or put weight on the product as this may cause damage.**
- **Assemble the item as close as possible to its final position (in the same space).**
- **Mount the device on a soft, flat surface to avoid damaging the device or your floor (use the opened box of the device).**
- **Care and Maintenance**
- **Clean only with a damp cloth and mild detergent, do not use bleach or abrasives. If you have any questions about this product, please contact your supplier in time.**
- **Check from time to time whether the screws on the product are loose.**



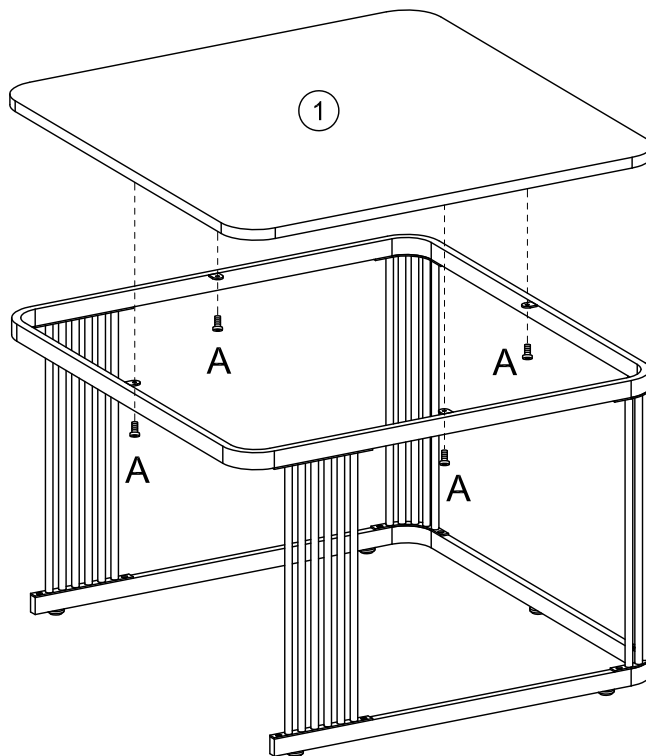
① × 1	② × 1	③ × 1	④ × 2			
⑤ × 2	⑥ × 1	⑦ × 1	⑧ × 1			
⑨ × 1	⑩ × 1	⑪ × 8				
A × 56	B × 1	C × 9	D × 4			
M6*12	M6*12					


1



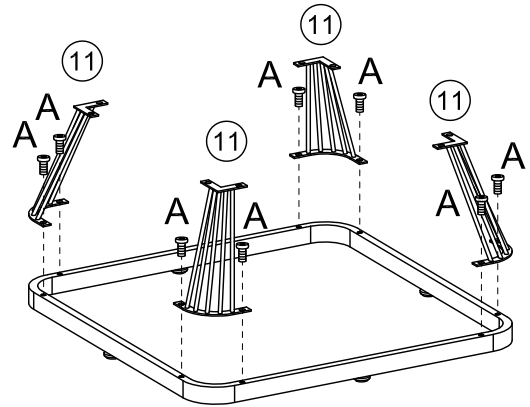
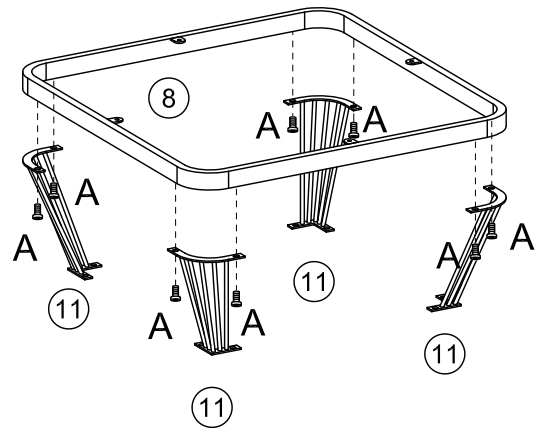
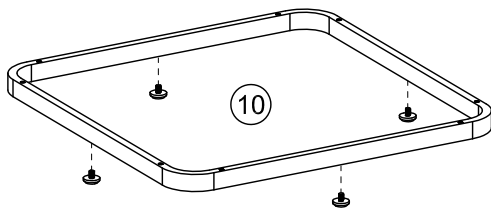
A × 16	C × 5
	
M6*12	

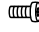

2



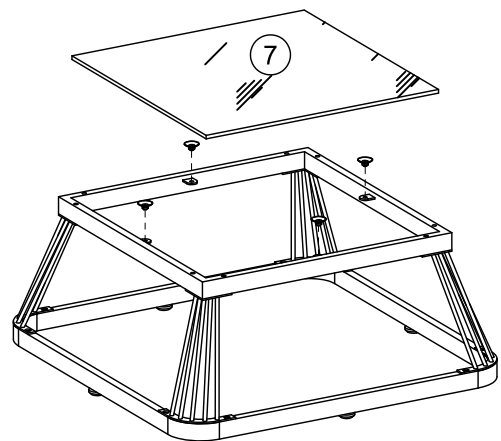
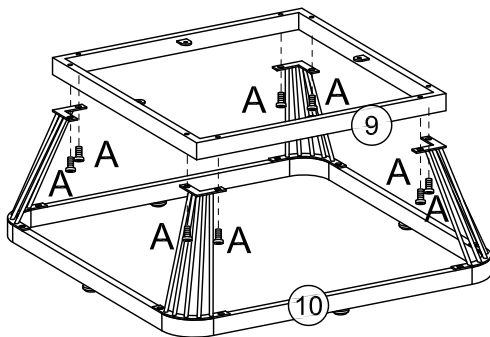
A × 16

M6*12

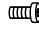

3



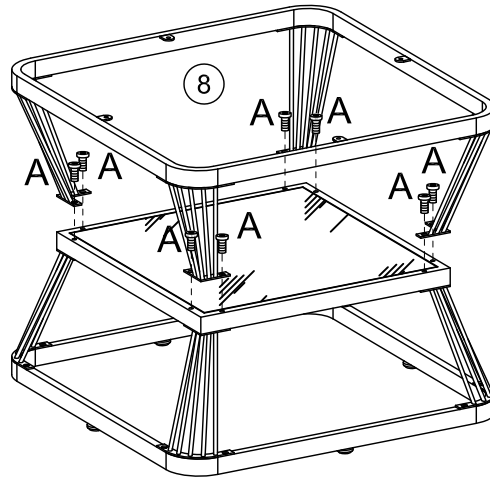
A × 16	C × 4
 M6*12	

4



A × 8	D × 4
 M6*12	

5

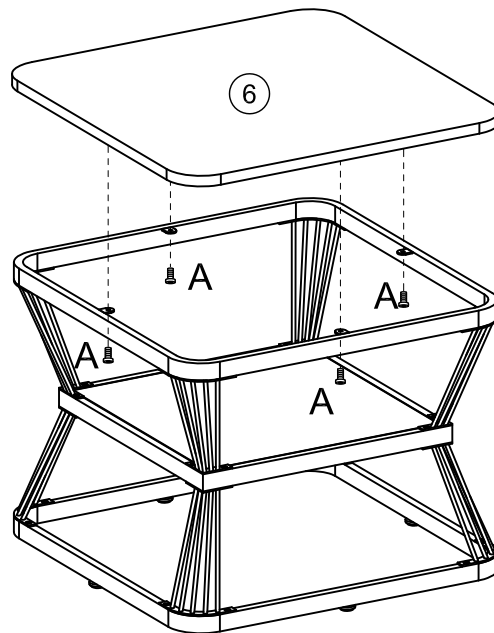


A × 8



M6*12

6



A × 16



M6*12