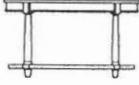






COFFEE TABLE

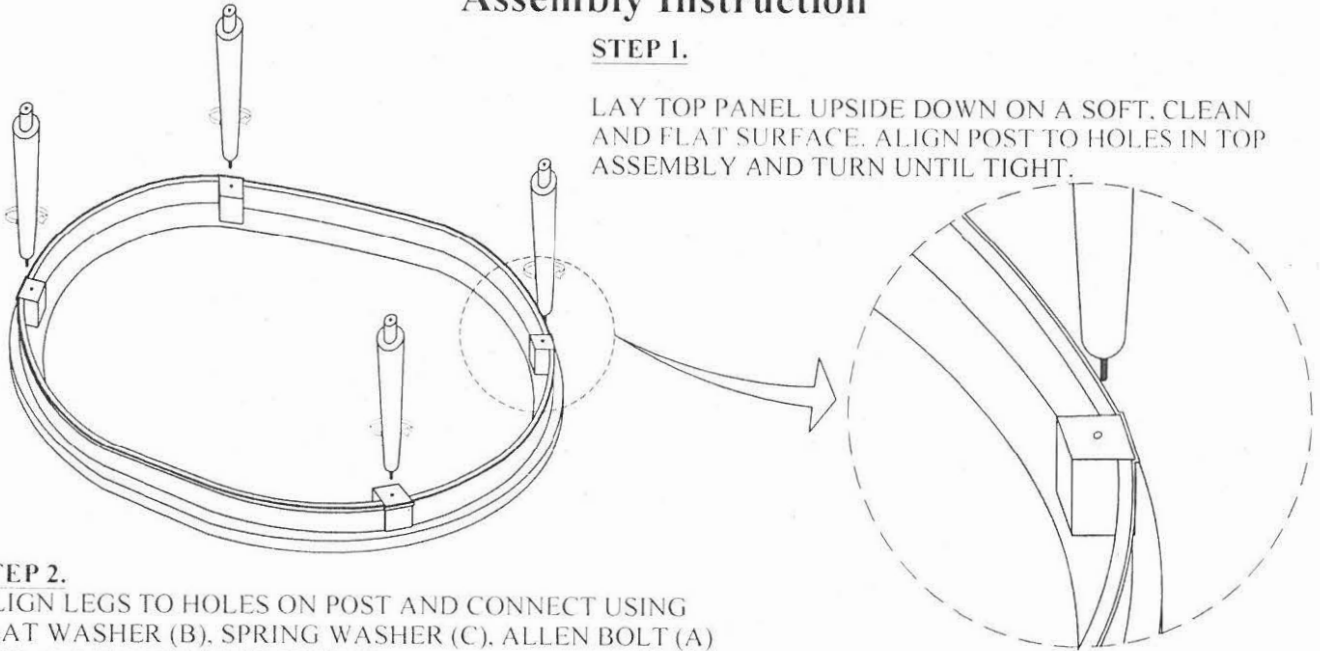
Hardware List

A	B	C	E	
ALLEN BOLT M6 X 100 (4 PCS.)	FLAT W. M6 4 PCS.	SPRING W. M6 4 PCS.	ALLEN KEY L4 FOR ALLEN BOLT 1 PC.	
				

Assembly Instruction

STEP 1.

LAY TOP PANEL UPSIDE DOWN ON A SOFT, CLEAN AND FLAT SURFACE. ALIGN POST TO HOLES IN TOP ASSEMBLY AND TURN UNTIL TIGHT.



STEP 2.

ALIGN LEGS TO HOLES ON POST AND CONNECT USING FLAT WASHER (B), SPRING WASHER (C), ALLEN BOLT (A) AND ALLEN KEY (D) PROVIDED.

STEP 3.

SET OVAL COFFEE TABLE UPRIGHT AND INSTALL GLASS TOP AND GLASS SHELF.

