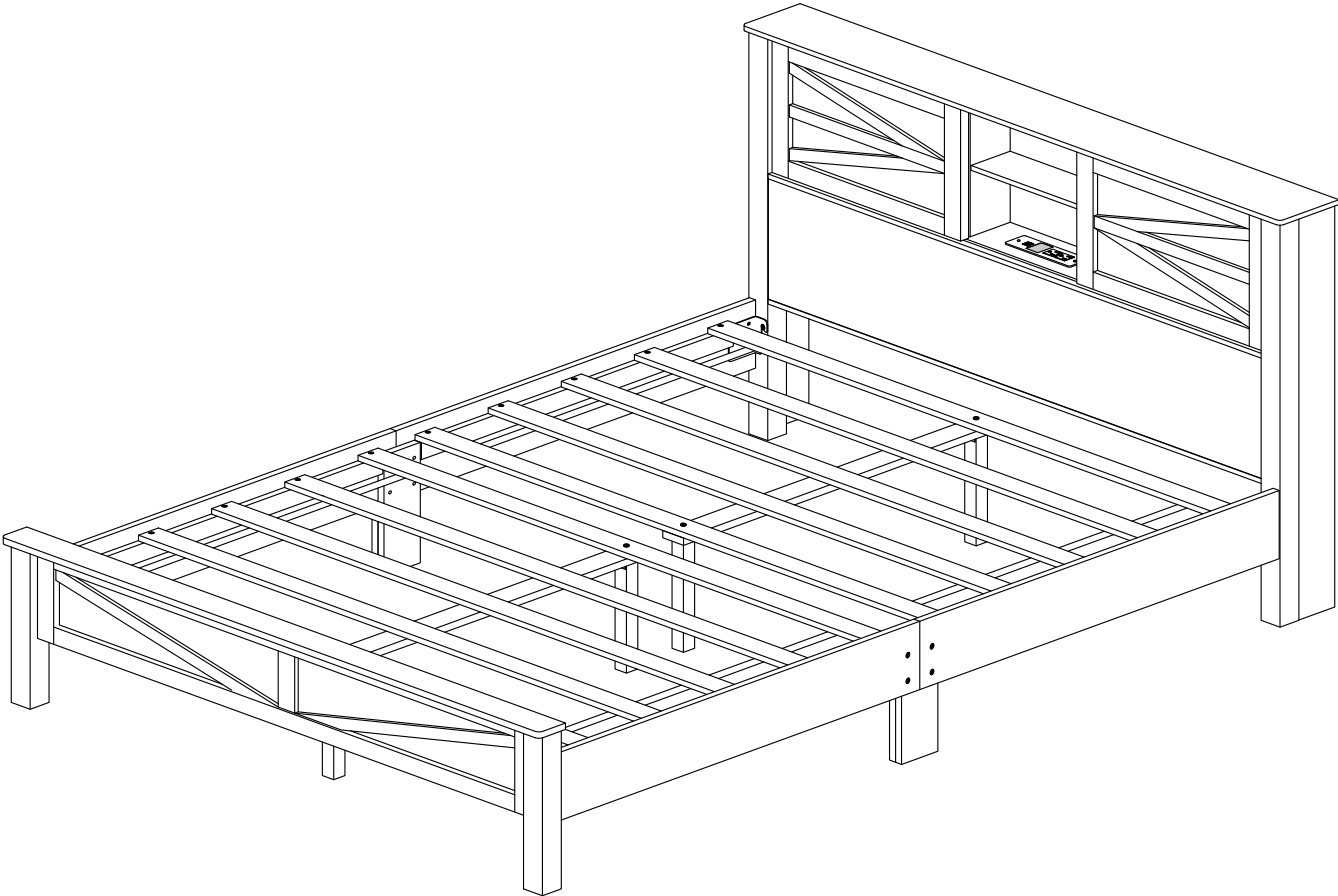


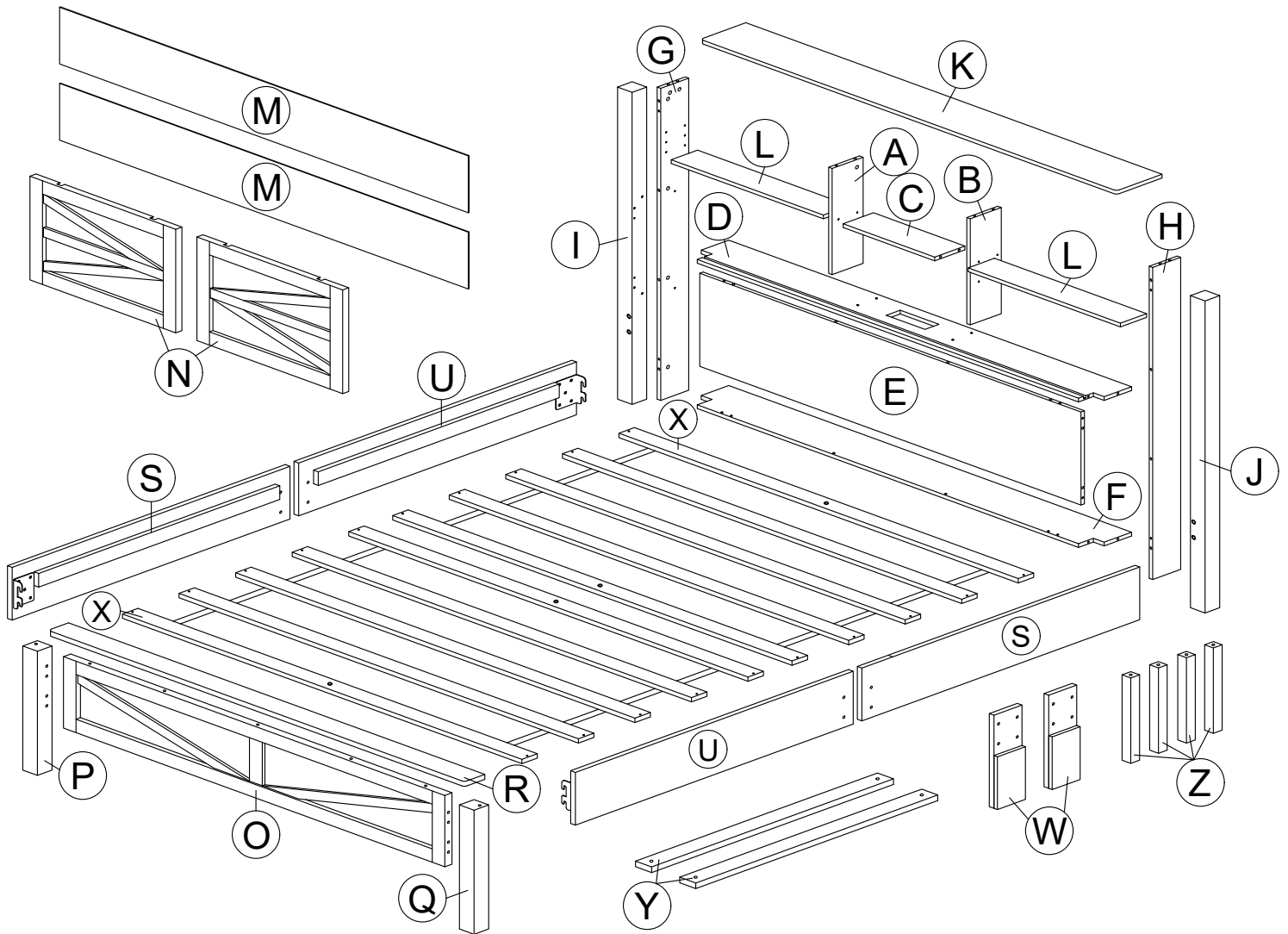
ASSEMBLY INSTRUCTION

Bed 38 (Full)



ASSEMBLY INSTRUCTION



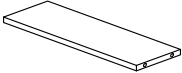
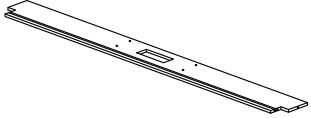
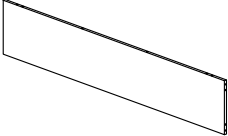
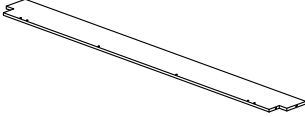




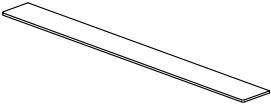
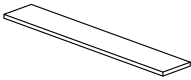
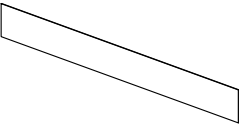
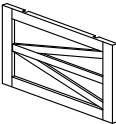
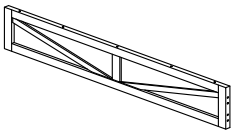
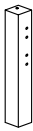

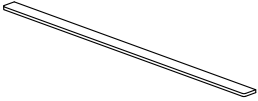
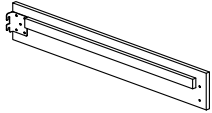
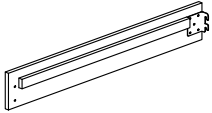
Bed 38 (Full)



ASSEMBLY INSTRUCTION

Bed 38 (Full)

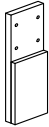
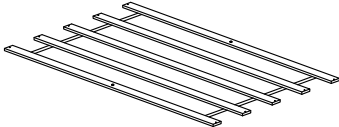
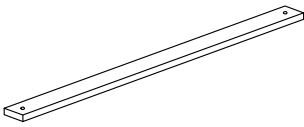

PART LIST

<p style="text-align: center;">A</p>  <p style="text-align: center;">Bedhead Center Panel L 1 PCS</p>	<p style="text-align: center;">B</p>  <p style="text-align: center;">Bedhead Center Panel R 1 PCS</p>	<p style="text-align: center;">C</p>  <p style="text-align: center;">Bedhead Up Middle Panel 1 PCS</p>	<p style="text-align: center;">D</p>  <p style="text-align: center;">Bedhead Middle Support Up 1 PCS</p>
<p style="text-align: center;">E</p>  <p style="text-align: center;">BedHead Front Panel 1 PCS</p>	<p style="text-align: center;">F</p>  <p style="text-align: center;">Bedhead Middle Support Down 1 PCS</p>	<p style="text-align: center;">G</p>  <p style="text-align: center;">BedHead Side Panel L 1 PCS</p>	<p style="text-align: center;">H</p>  <p style="text-align: center;">BedHead Side Panel R 1 PCS</p>
<p style="text-align: center;">I</p>  <p style="text-align: center;">BedHead Side Leg L 1 PCS</p>	<p style="text-align: center;">J</p>  <p style="text-align: center;">BedHead Side Leg R 1 PCS</p>	<p style="text-align: center;">K</p>  <p style="text-align: center;">Bedhead Top Panel 1 PCS</p>	<p style="text-align: center;">L</p>  <p style="text-align: center;">Bedhead Shelf Panel 2 PCS</p>
<p style="text-align: center;">M</p>  <p style="text-align: center;">Bedhead Back Panel 2 PCS</p>	<p style="text-align: center;">N</p>  <p style="text-align: center;">Door Panel L/R 2 PCS</p>	<p style="text-align: center;">O</p>  <p style="text-align: center;">BedEnd Panel 1 PCS</p>	<p style="text-align: center;">P</p>  <p style="text-align: center;">BedEnd Leg L 1 PCS</p>
<p style="text-align: center;">Q</p>  <p style="text-align: center;">BedEnd Leg R 1 PCS</p>	<p style="text-align: center;">R</p>  <p style="text-align: center;">BedEnd Top Support 1 PCS</p>	<p style="text-align: center;">S</p>  <p style="text-align: center;">Bed Side Front R / Rear L 2 PCS</p>	<p style="text-align: center;">U</p>  <p style="text-align: center;">Bed Side Front L / Rear R 2 PCS</p>







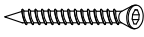



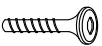
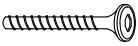
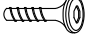
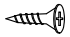
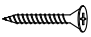
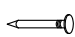



ASSEMBLY INSTRUCTION

Bed 38 (Full)

PART LIST

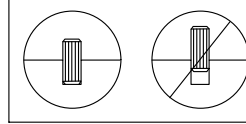
W	X	Y	Z
			
Bed Side Leg 2 PCS	Bed Slats 2 PCS	Bed Slats Center 2 PCS	Bed Slats Leg 4 PCS

HARDWARE LIST

1  M6x30MM Wood Dowel 20 PCS	2  M8x40MM Wood Dowel 4 PCS	3  Camlock 12MM 37 PCS	4  Camlock Bolt 12MM 37 PCS
5  Double Camlock 48MM 8 PCS	6  Double Bolt 48MM 4 PCS	7  Csk M6x50MM 6 PCS	8  Shelf Support 8 PCS
9  M4 Allen Key 1 PCS	10  M5 Allen Key 1 PCS	11  M6x25MM JCBC Screw 8 PCS	12  M6x40MM JCBC Screw 4 PCS
13  M8x20MM JCBB Screw 8 PCS	14  M3.5x16MM Screw 24 PCS	15  M4x38MM Screw 20 PCS	16  Nail 5/8 24 PCS
17  USB Charger 1 PCS	18   K455 Roller 4 Sets		

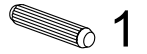
ASSEMBLY INSTRUCTION

Step 1



Required/Requis/Requerido

x20

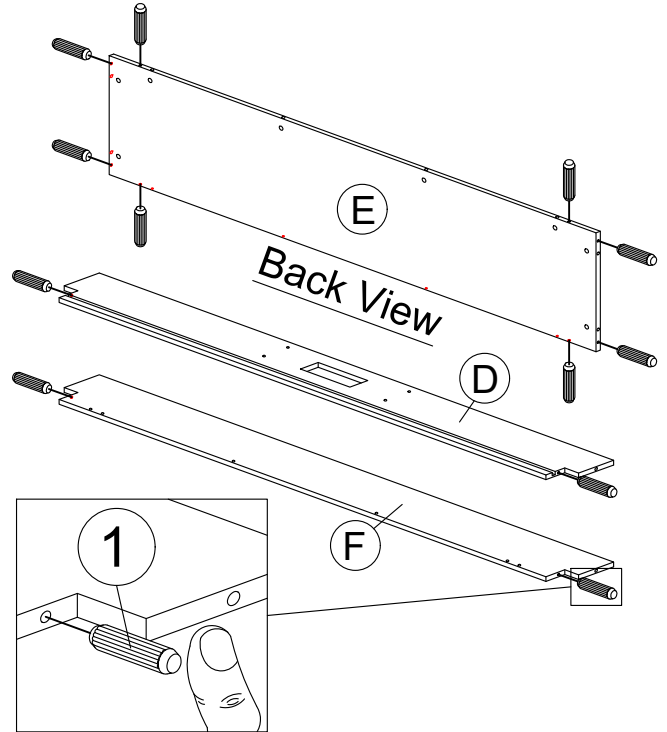
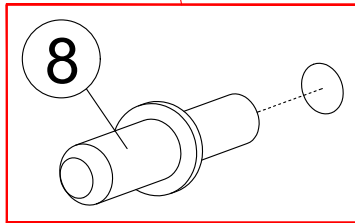
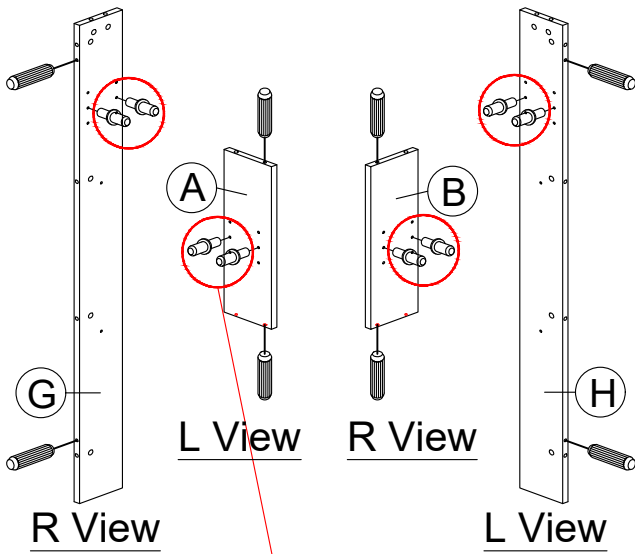


1

x8



8



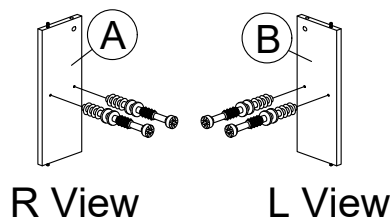
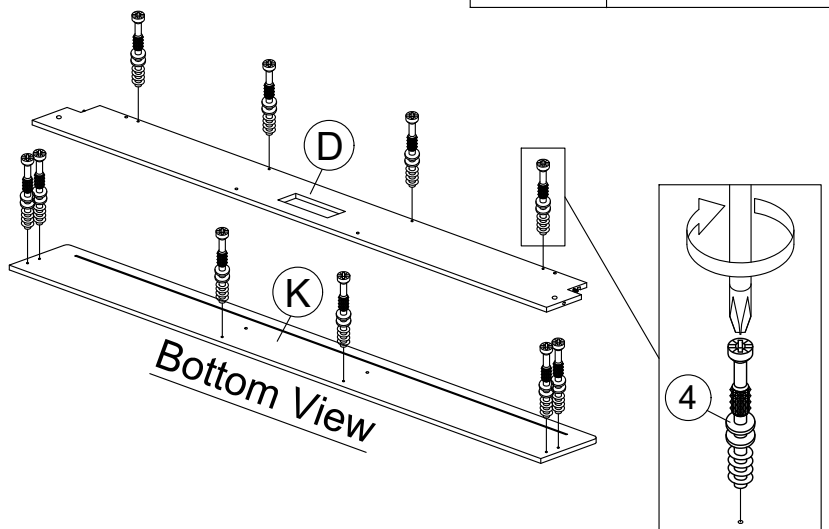
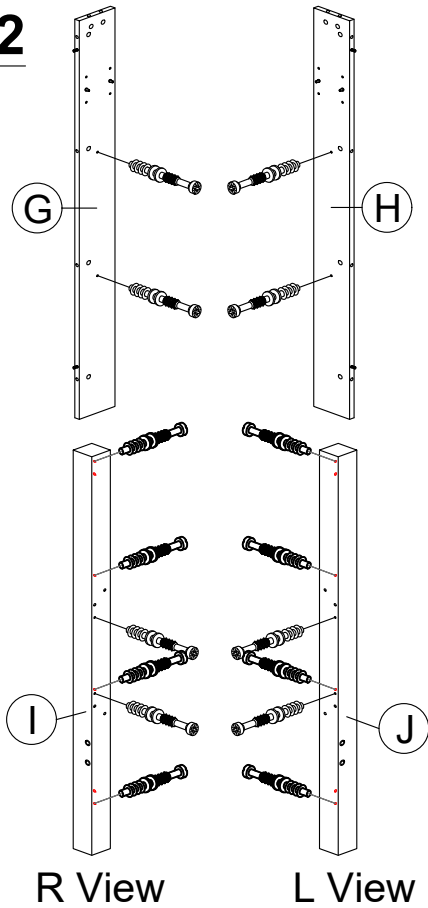
Step 2

Required/Requis/Requerido

x30



4



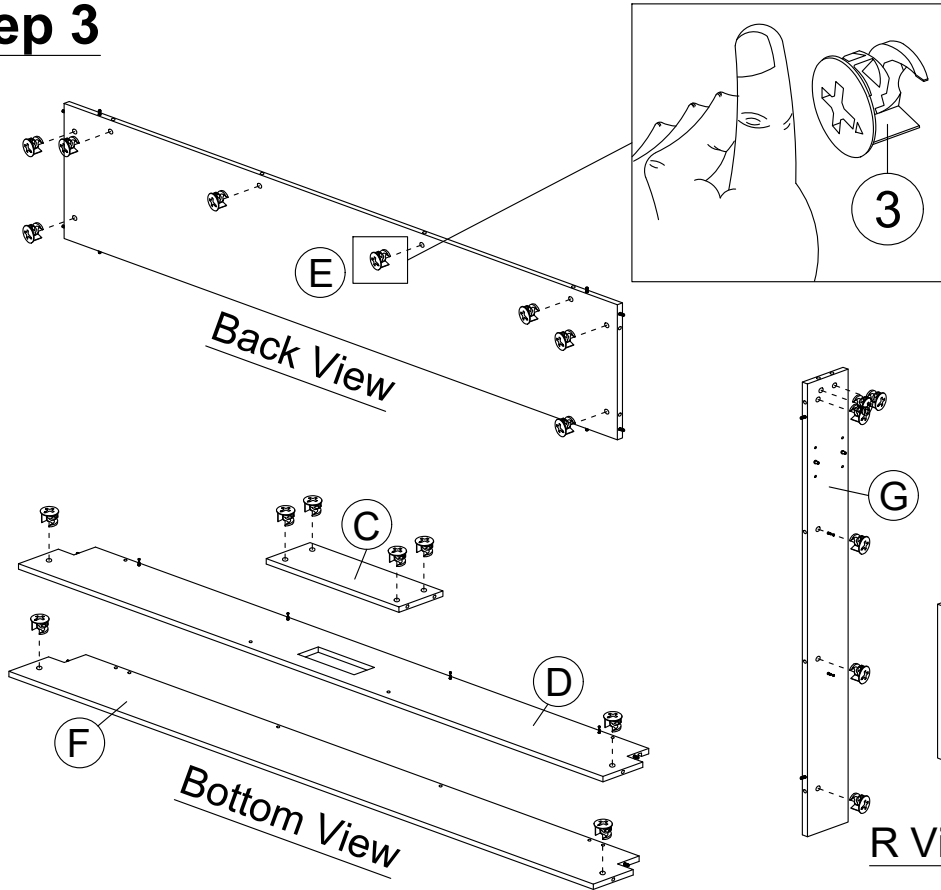
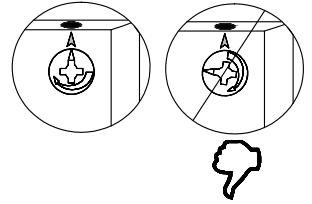
ASSEMBLY INSTRUCTION

Step 3

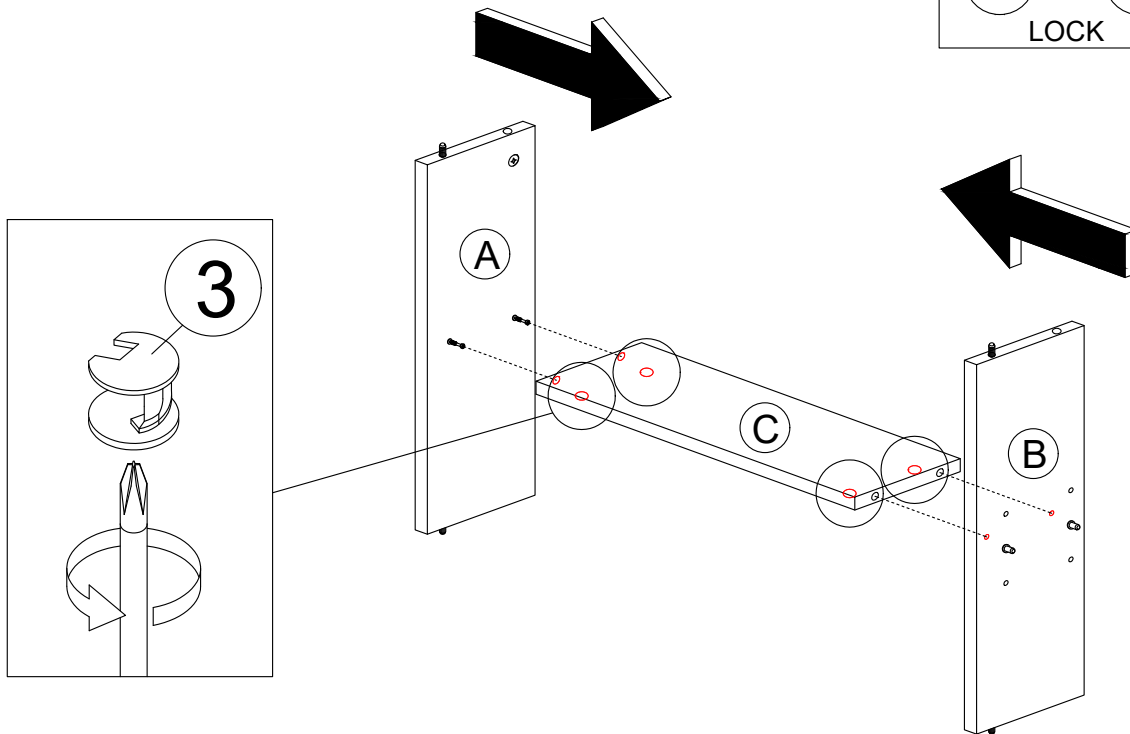
Required/Requis/Requerido

x30

 3



Step 4




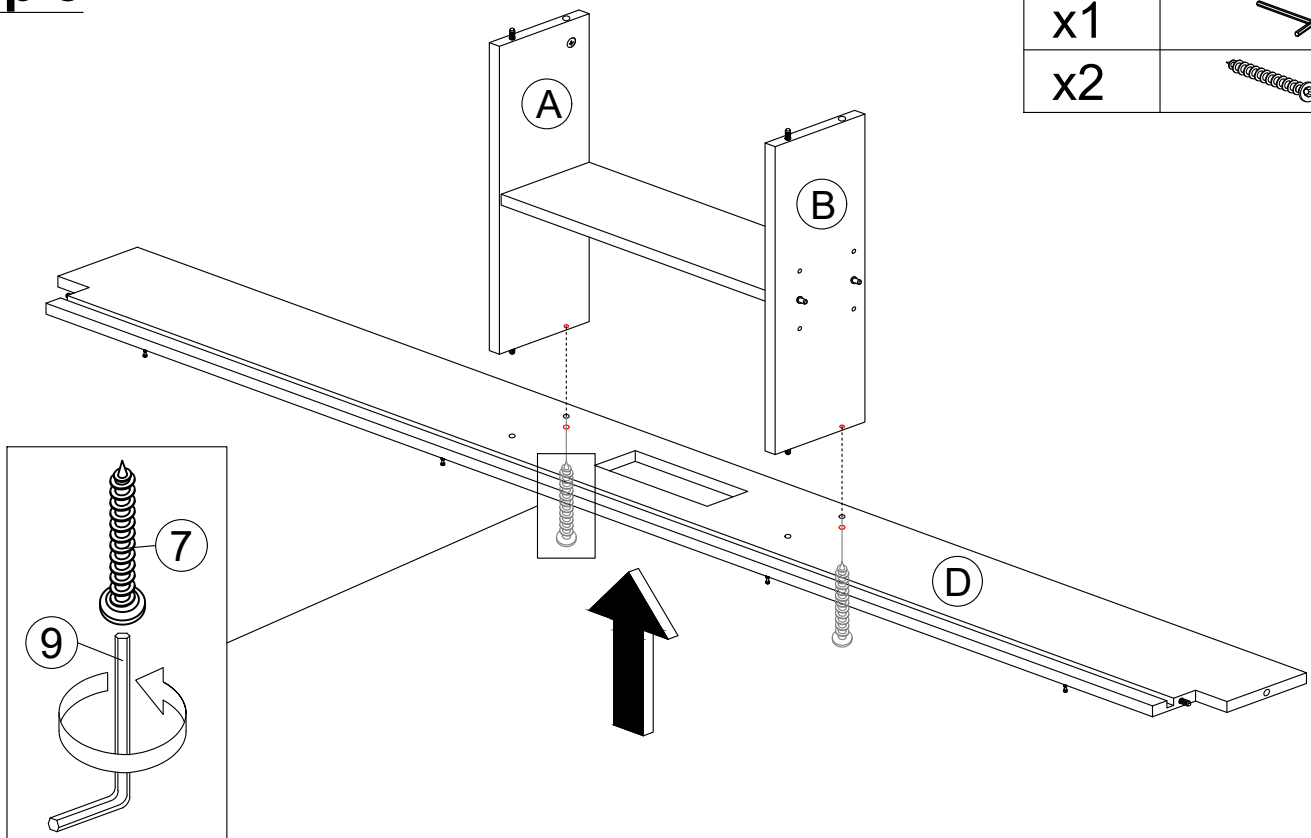
ASSEMBLY INSTRUCTION

Step 5

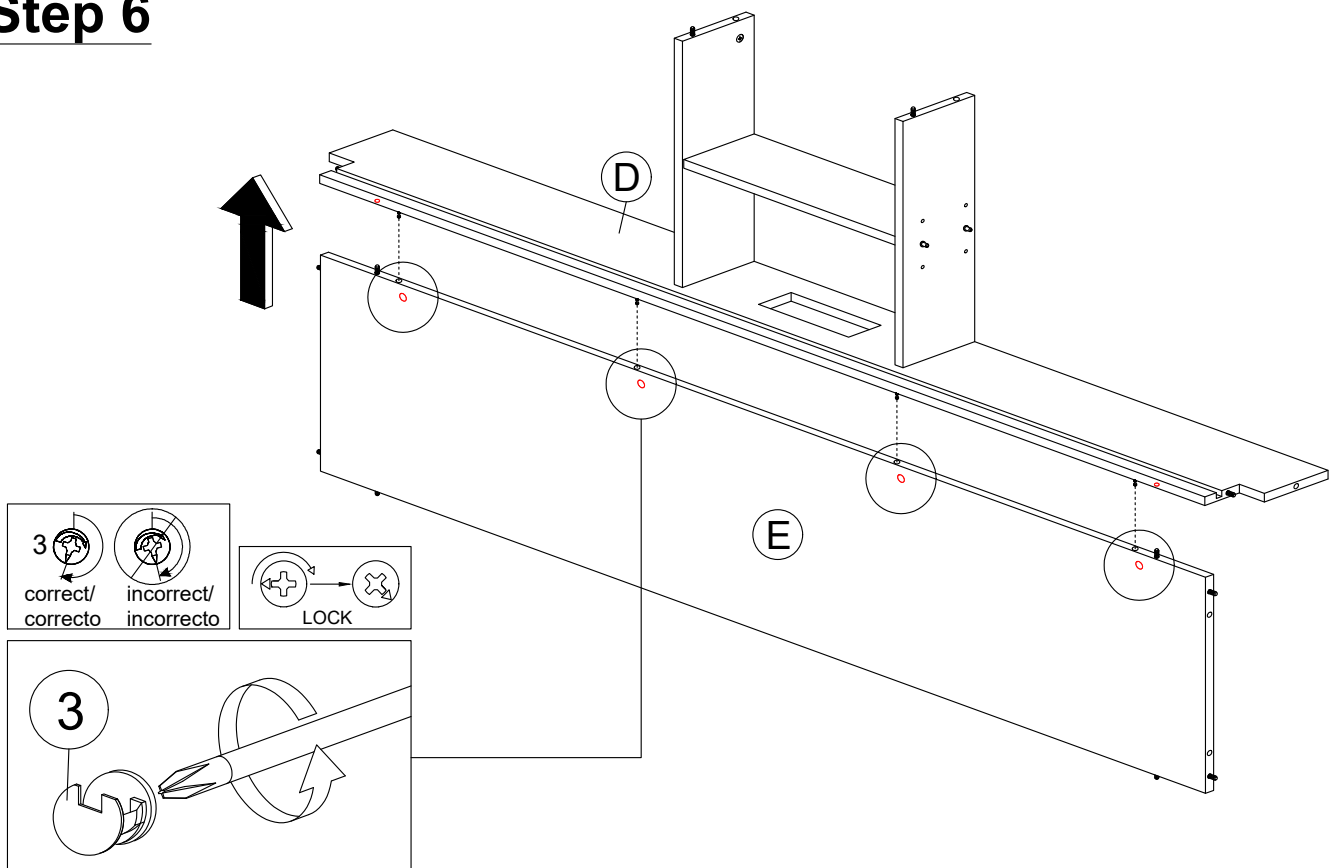
Required/Requis/Requerido

x1  9

x2  7



Step 6




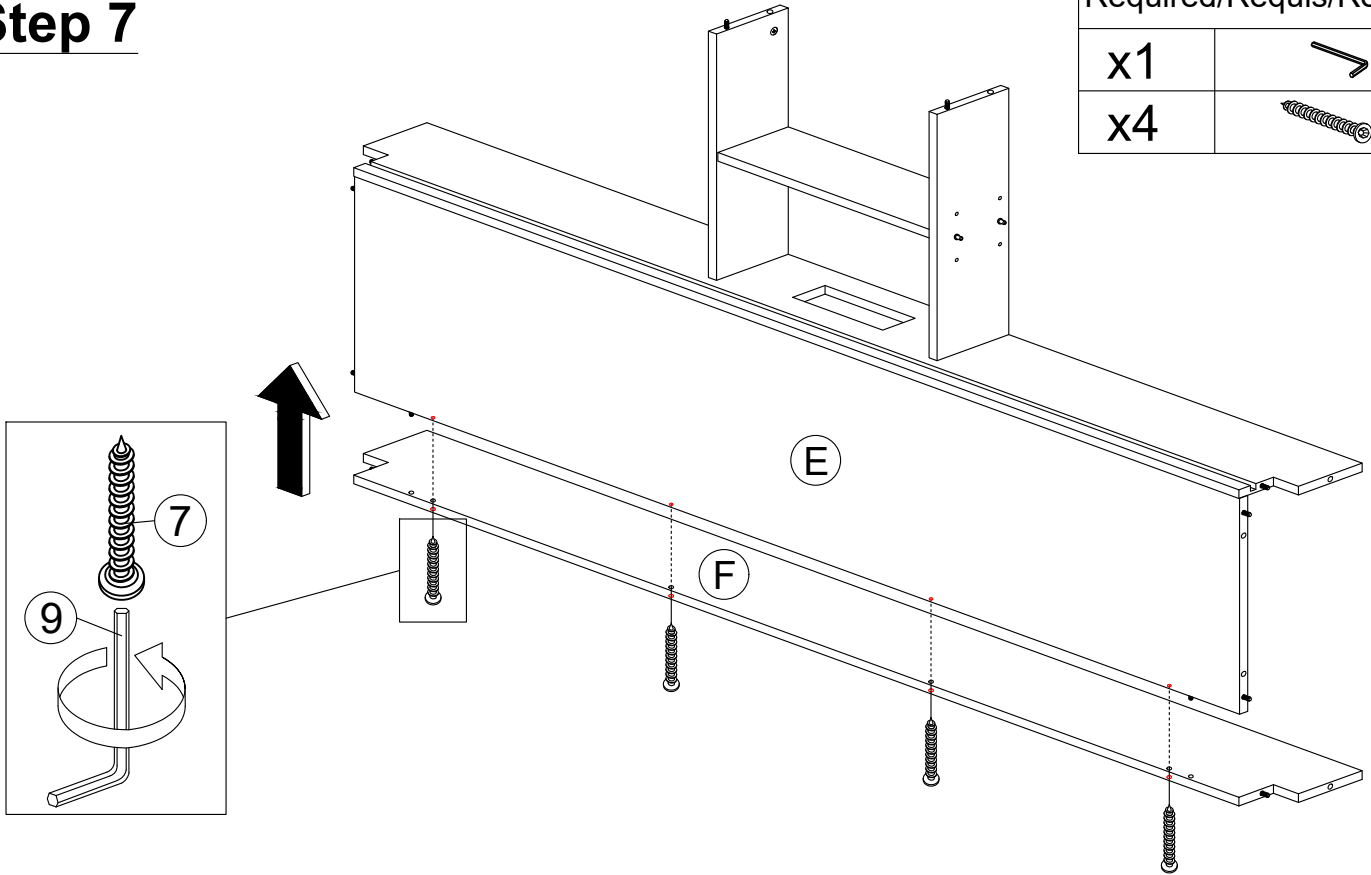
ASSEMBLY INSTRUCTION

Step 7

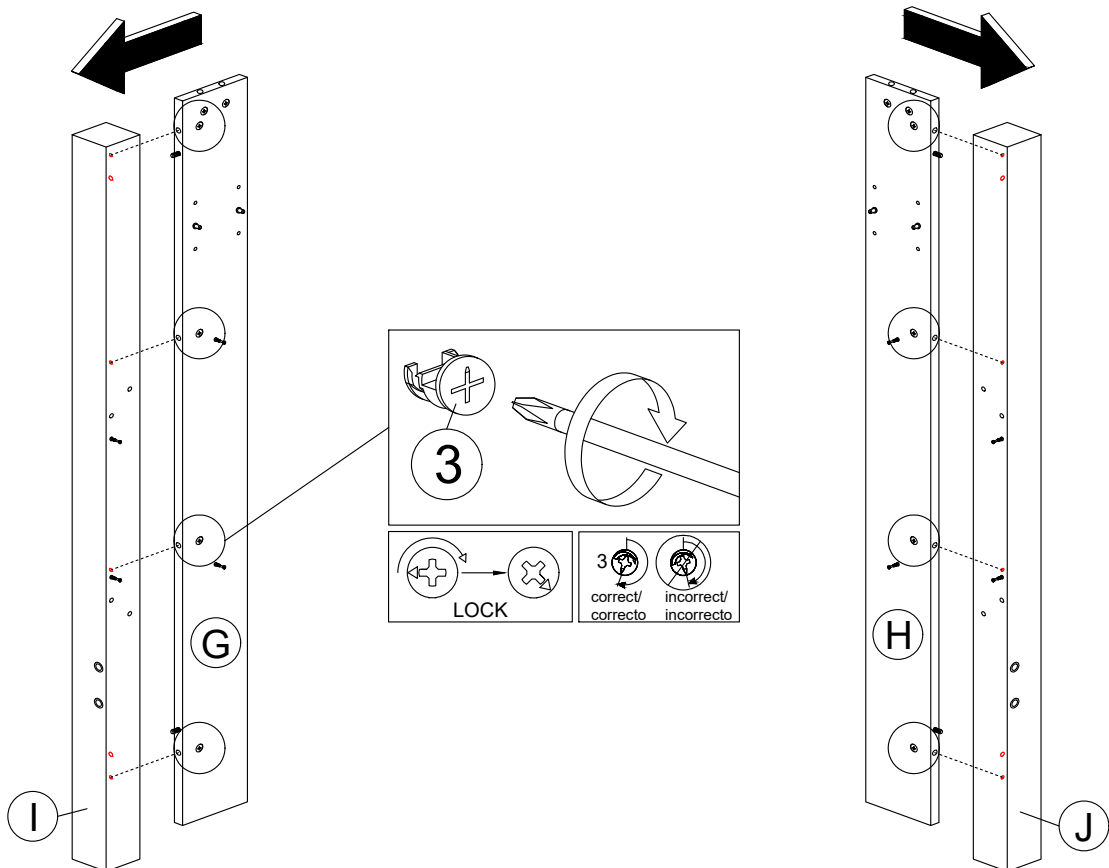
Required/Requis/Requerido

x1  9

x4  7

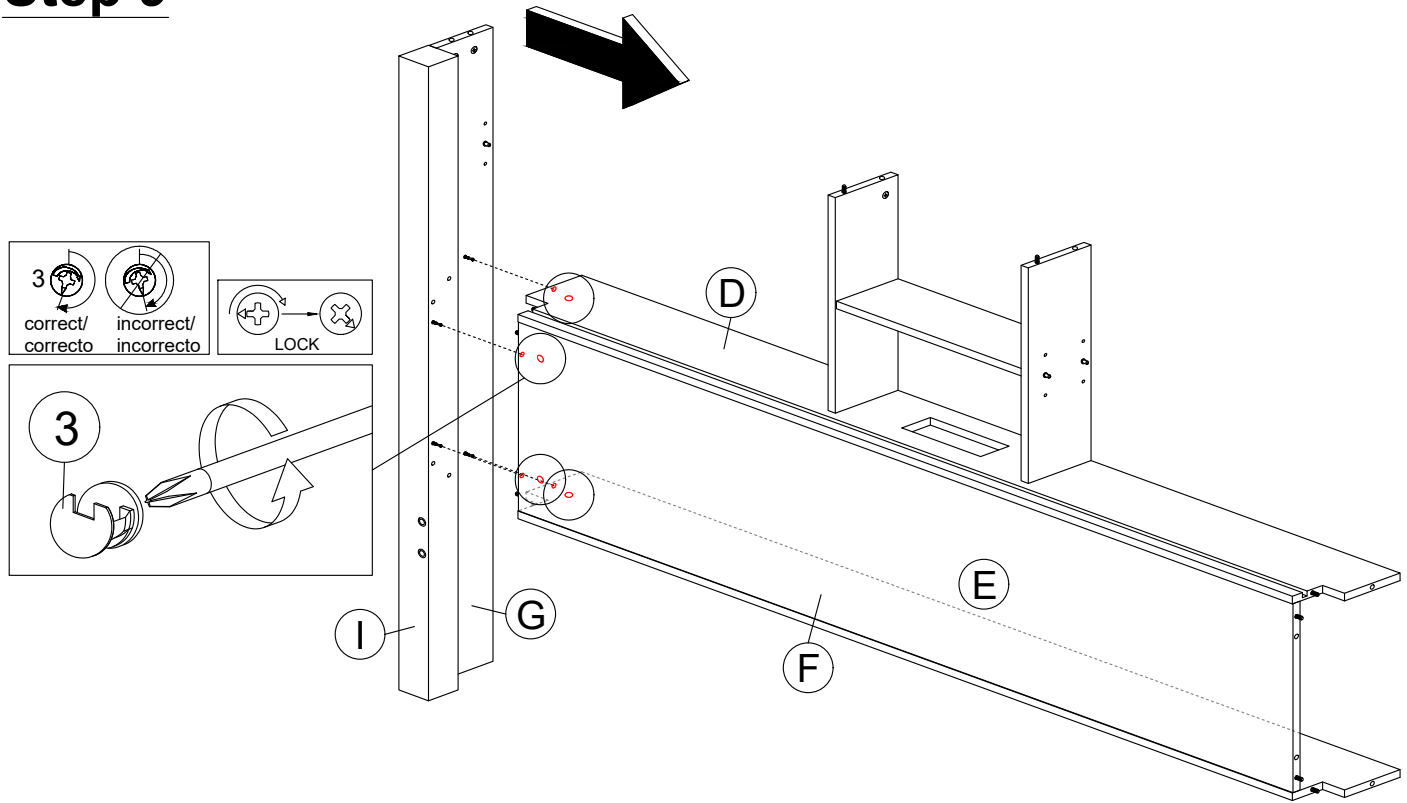


Step 8

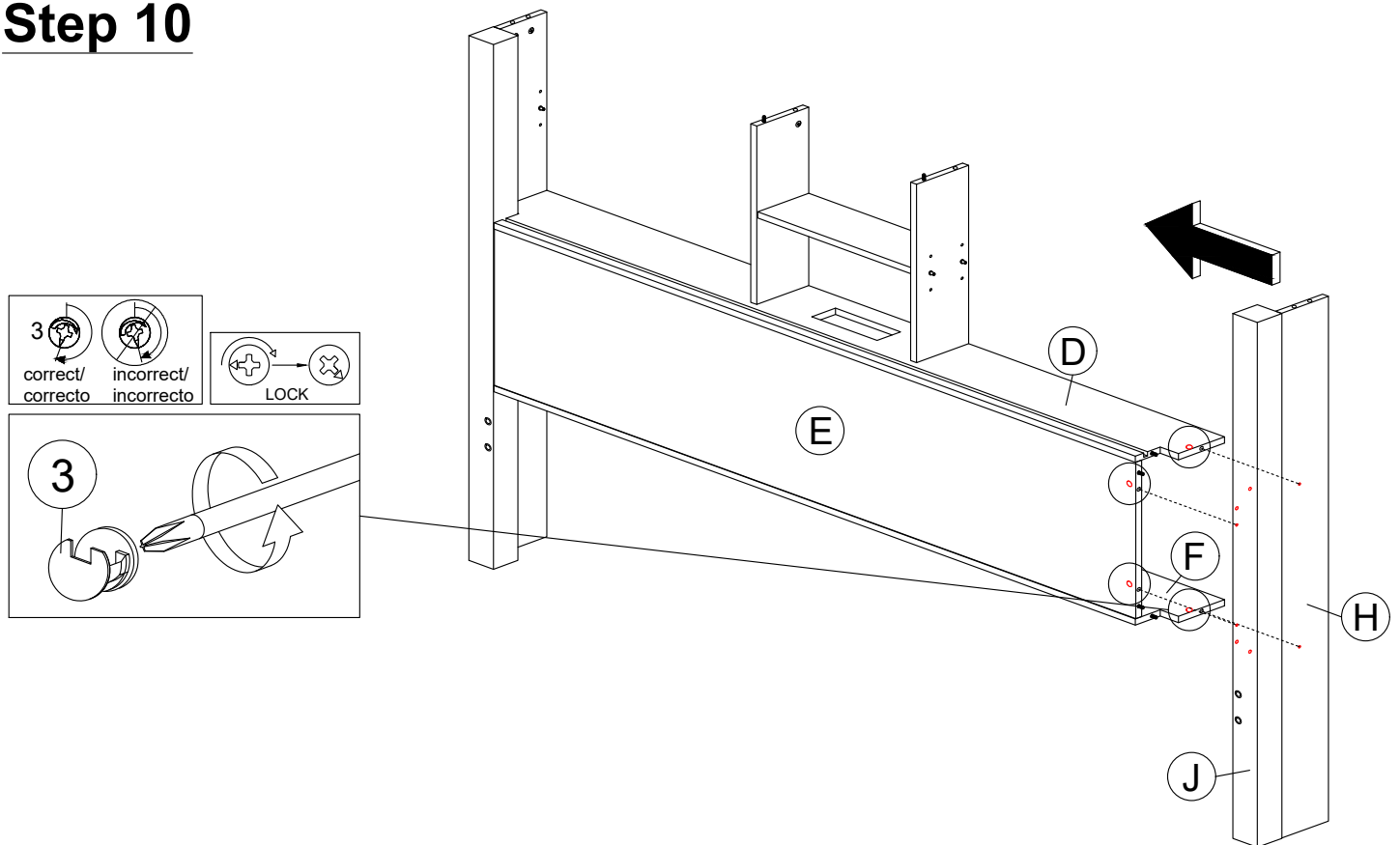


ASSEMBLY INSTRUCTION

Step 9

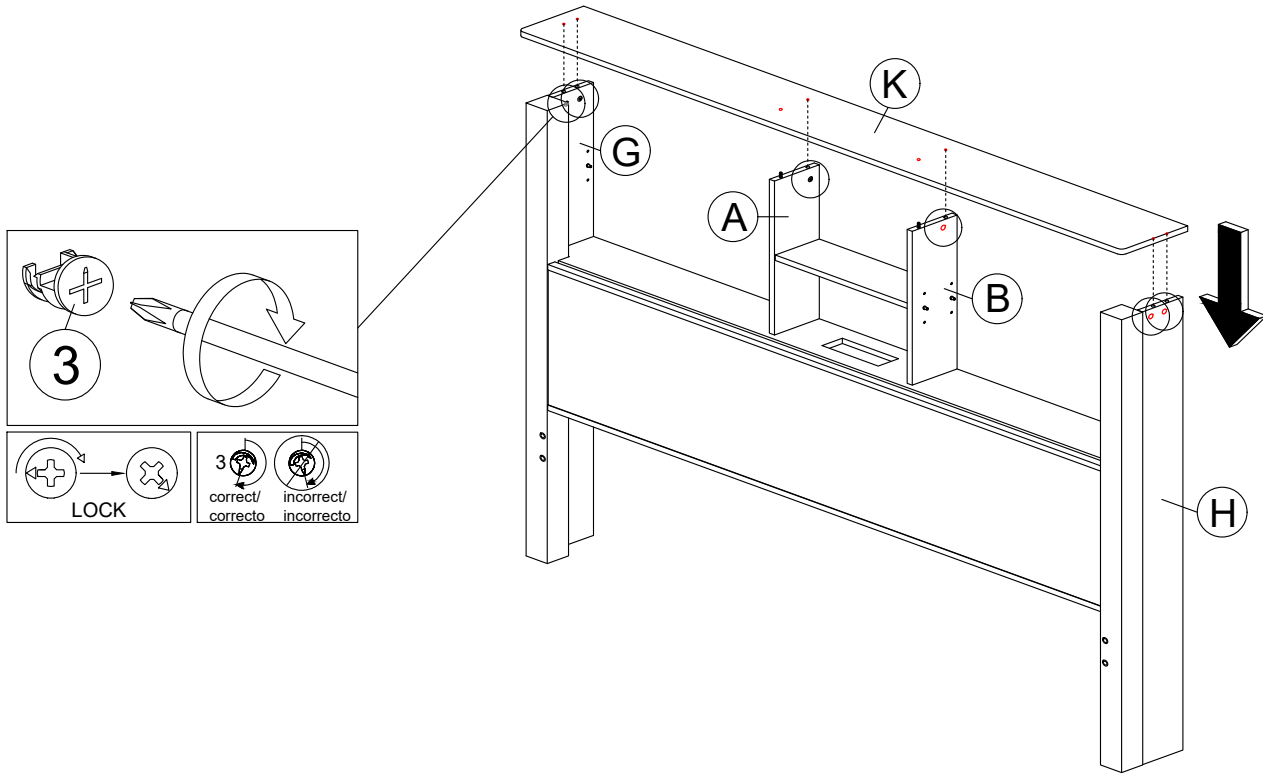


Step 10



ASSEMBLY INSTRUCTION

Step 11

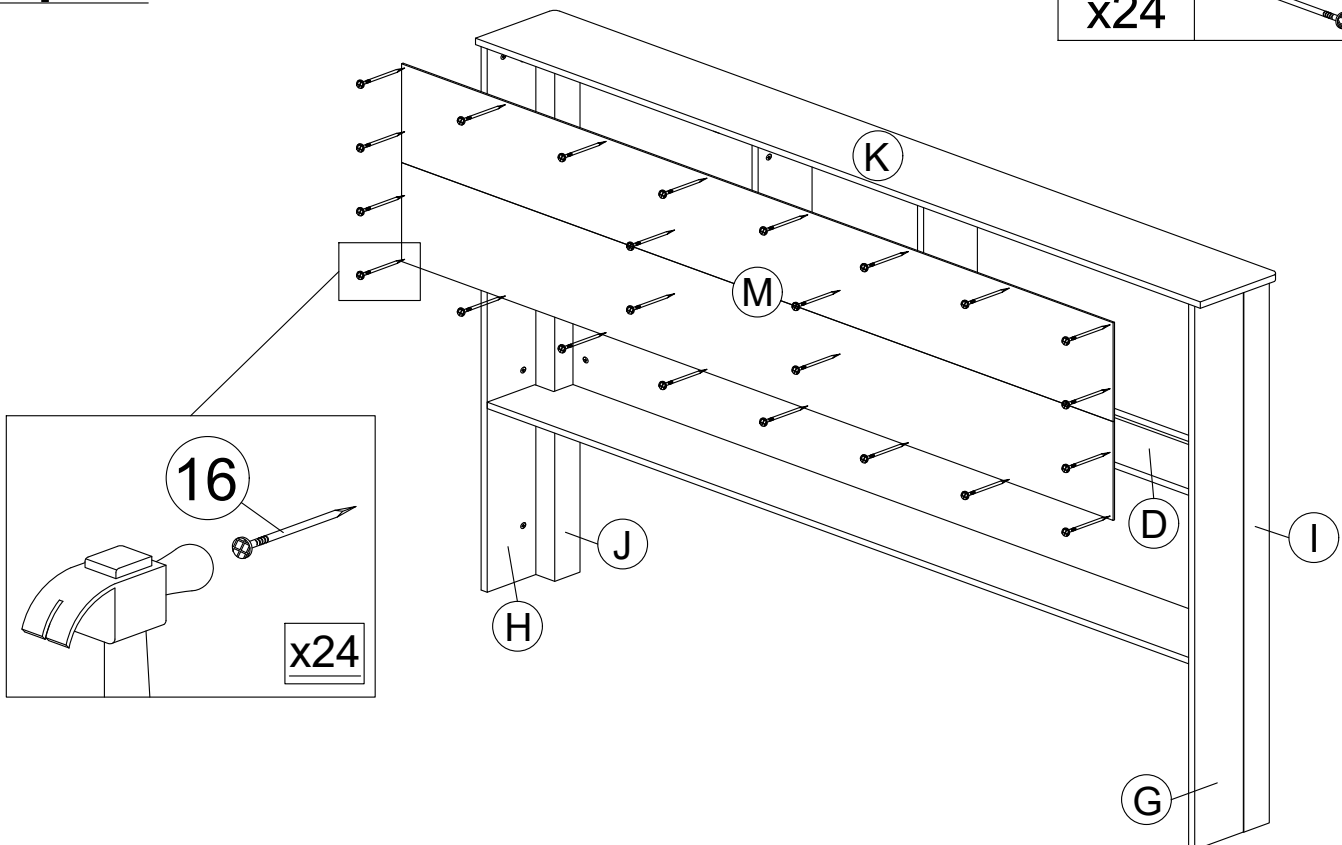


Step 12

Required/Requis/Requerido

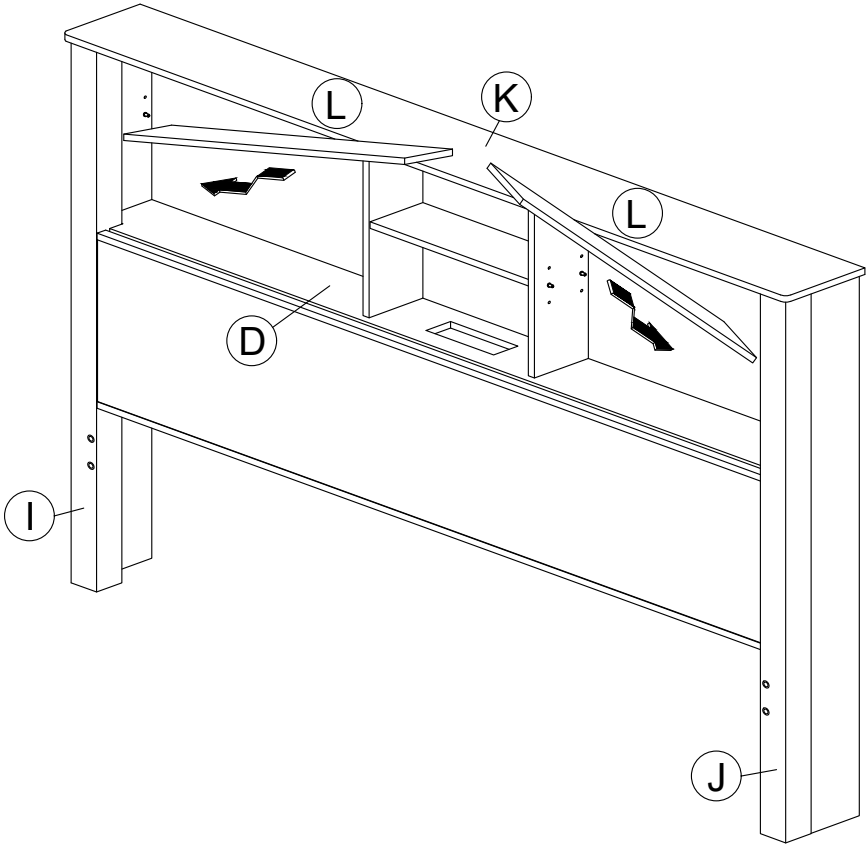
x24

16






ASSEMBLY INSTRUCTION

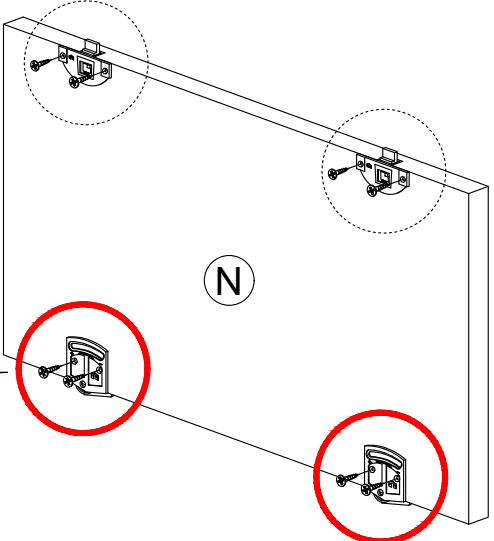
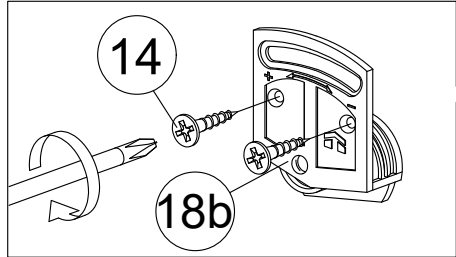
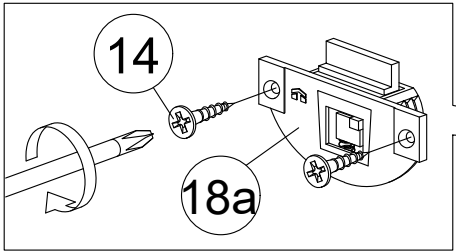
Step 13



Step 14

Required/Requis/Requerido

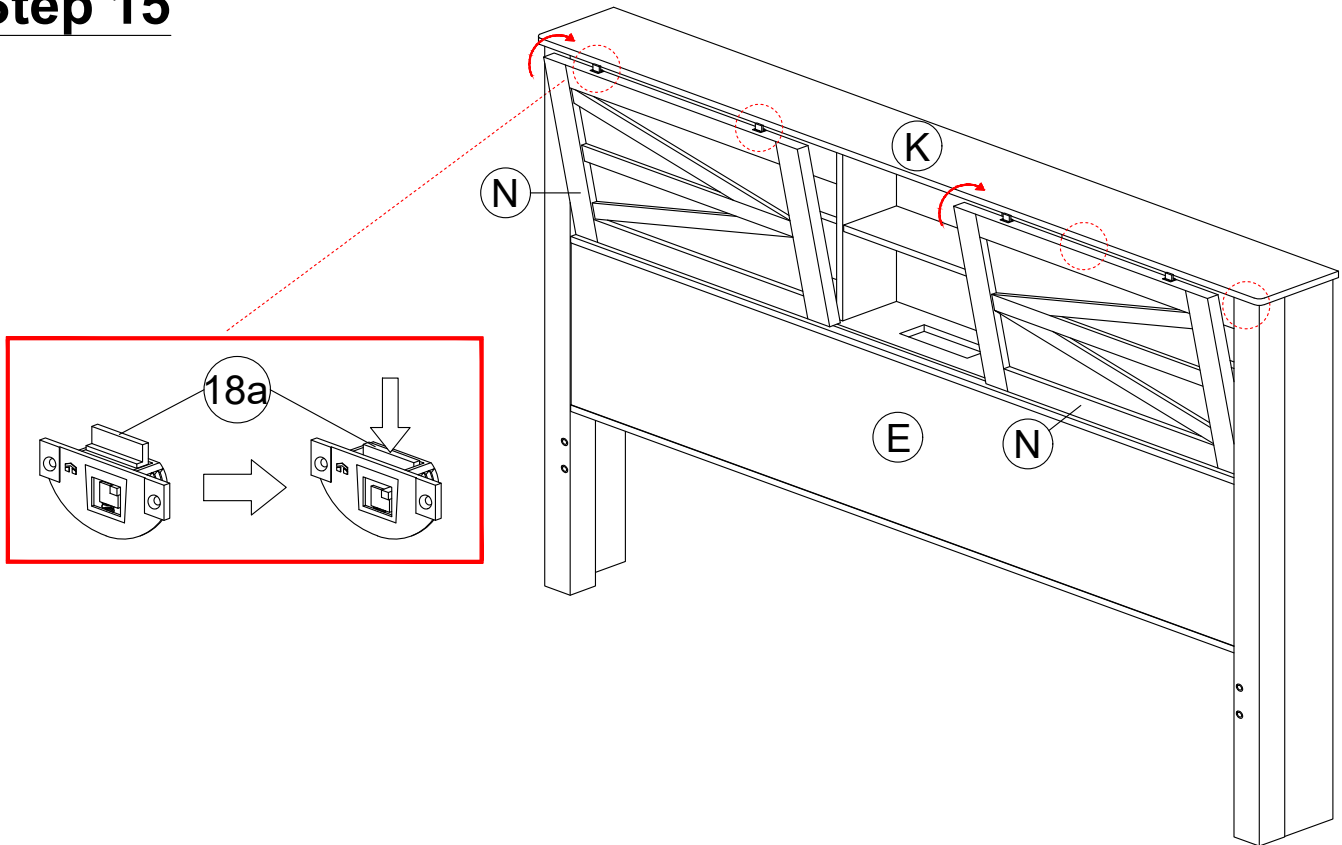
x16	 14
x4	 18a
x4	 18b



x2

ASSEMBLY INSTRUCTION

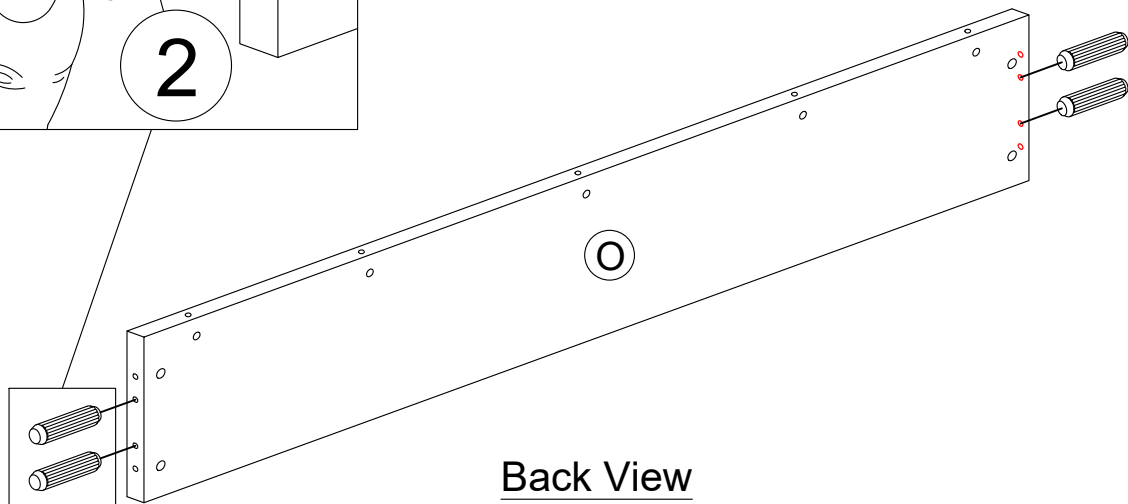
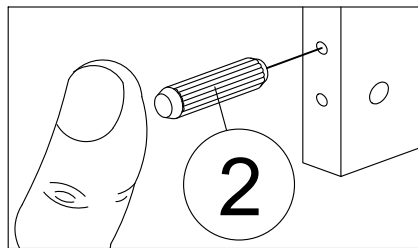
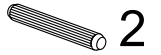
Step 15



Step 16

Required/Requis/Requerido

x4



ASSEMBLY INSTRUCTION

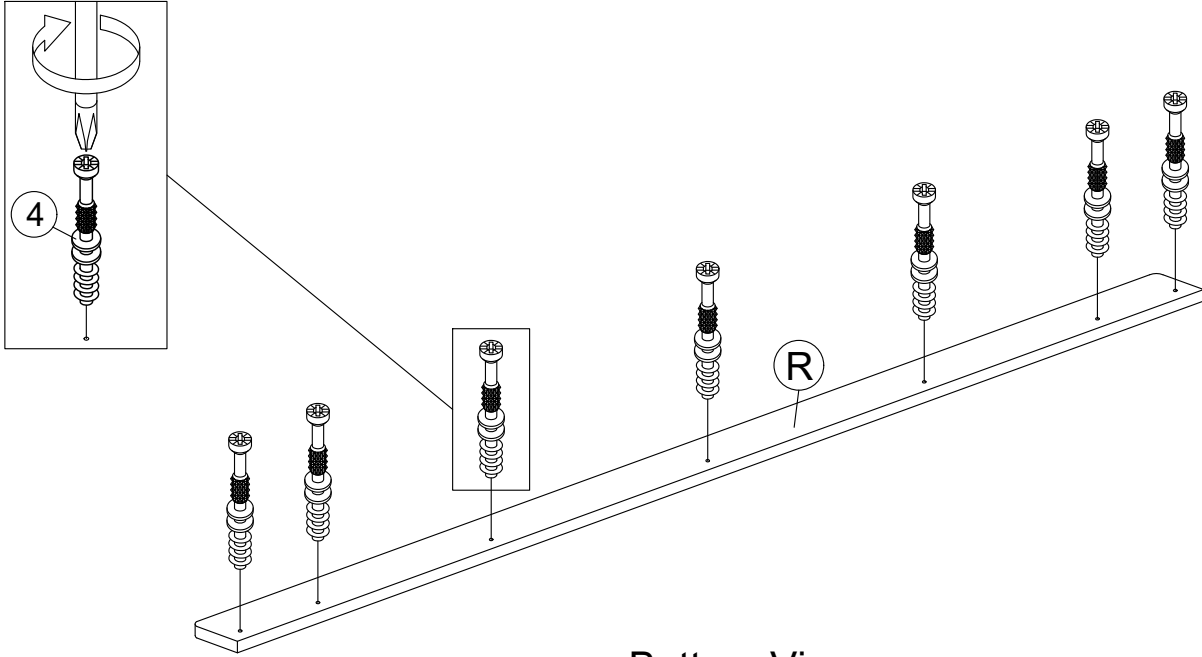
Step 17

Required/Requis/Requerido

x7



4



Bottom View

Step 18

Required/Requis/Requerido

x7

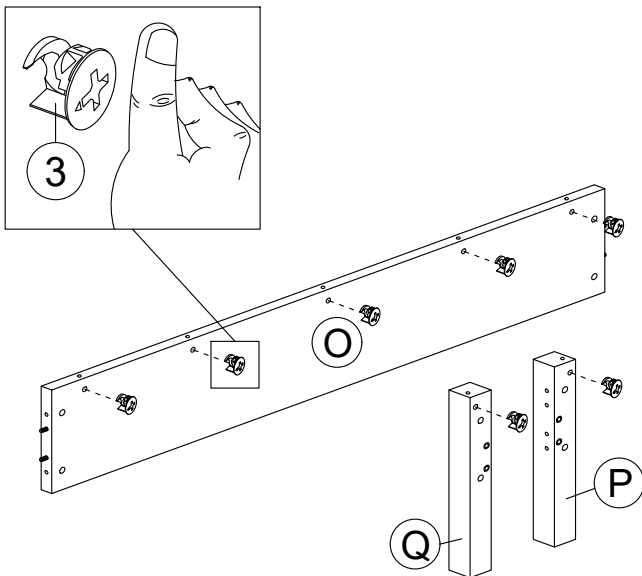
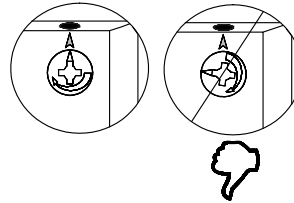


3

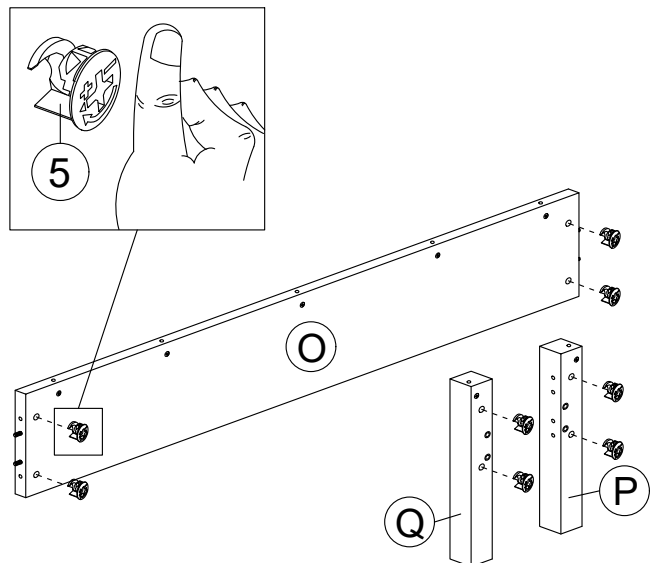
x8



5



Back View



Back View

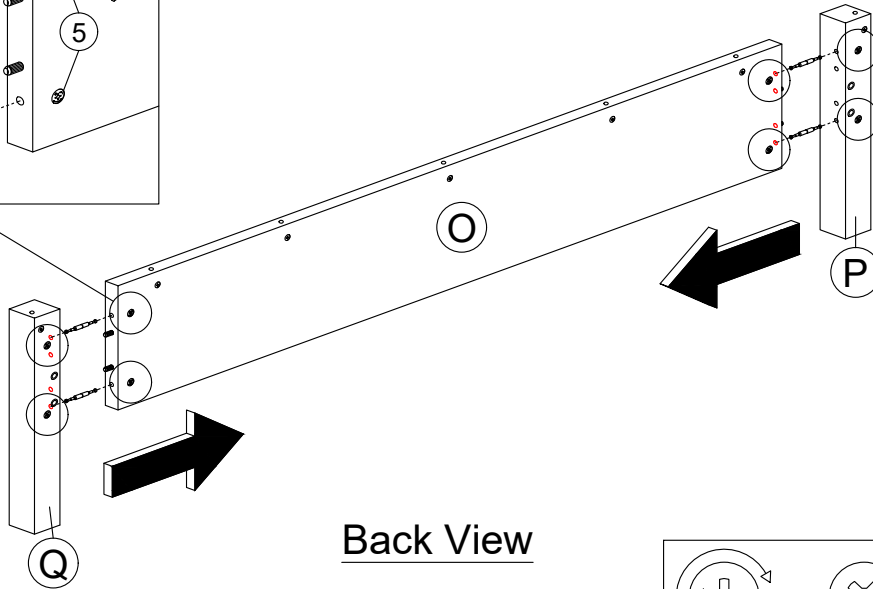
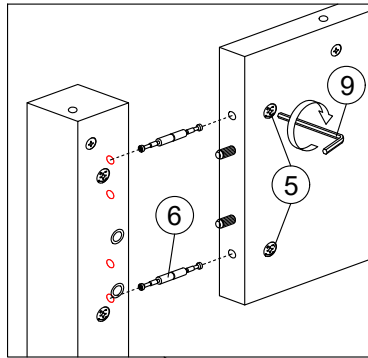
ASSEMBLY INSTRUCTION

Step 19

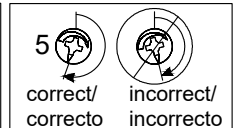
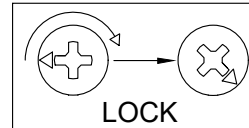
Required/Requis/Requerido

x1  9

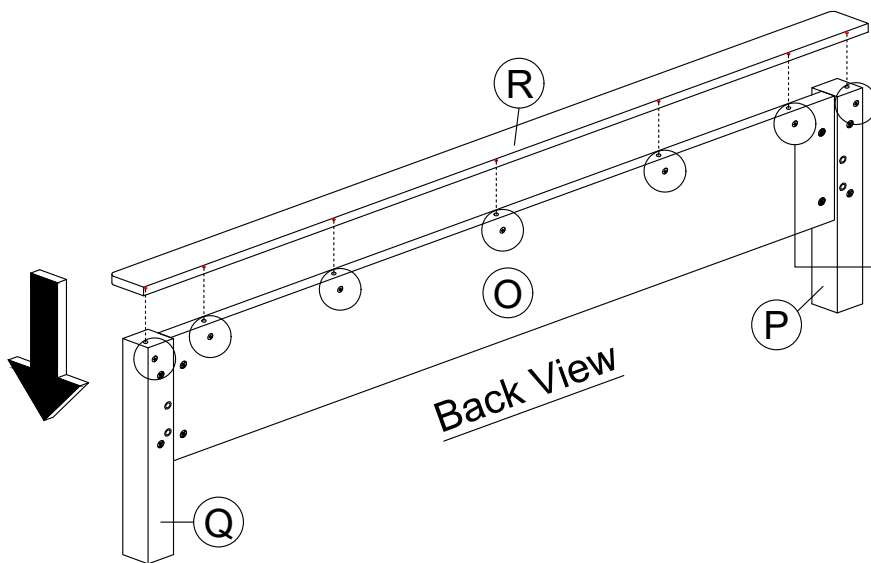
x4  6



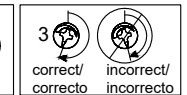
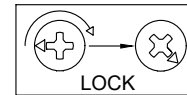
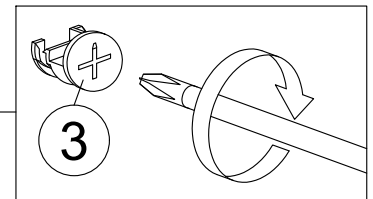
Back View



Step 20



Back View



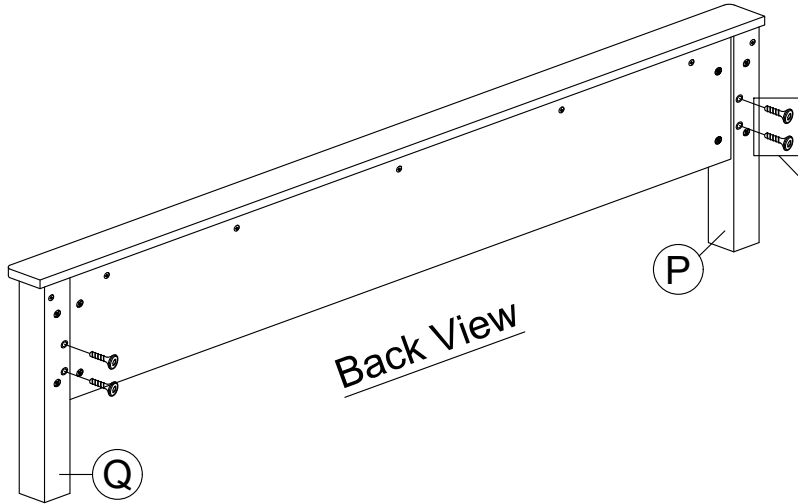
ASSEMBLY INSTRUCTION

Step 21

Required/Requis/Requerido

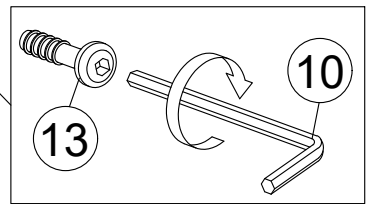
x1  10

x4  13



Back View

Don't Tighten until end,
please left 2-5mm
distance for next step
assembly part



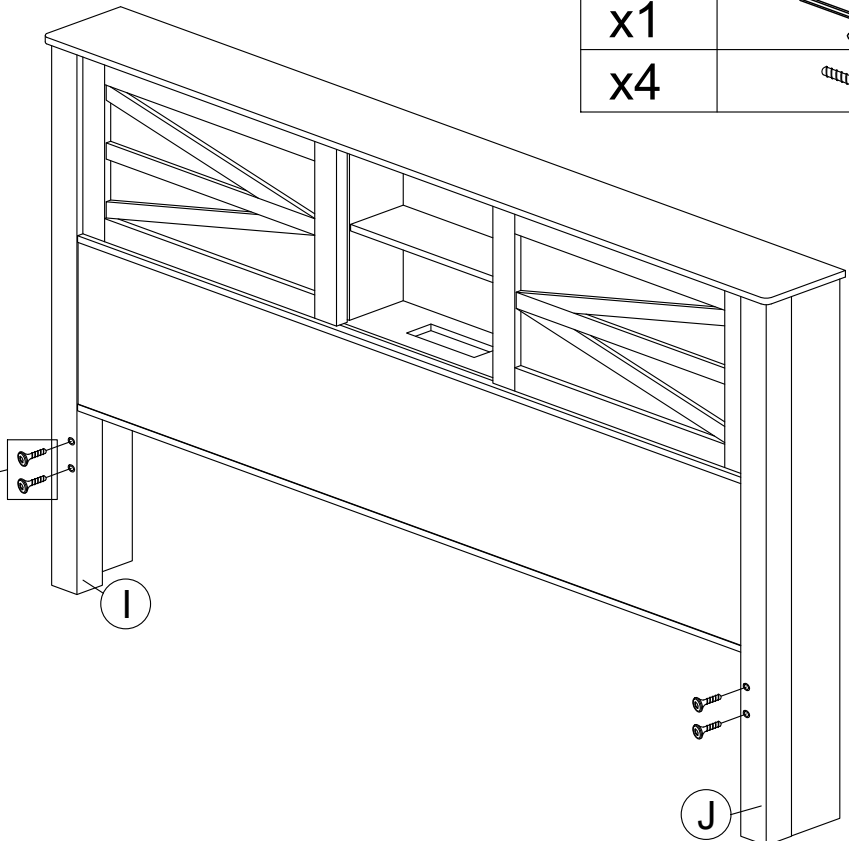
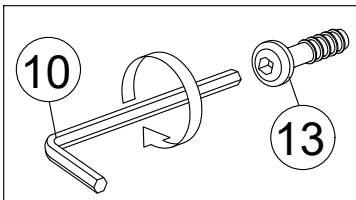
Step 22

Required/Requis/Requerido

x1  10

x4  13

Don't Tighten until end,
please left 2-5mm
distance for next step
assembly part



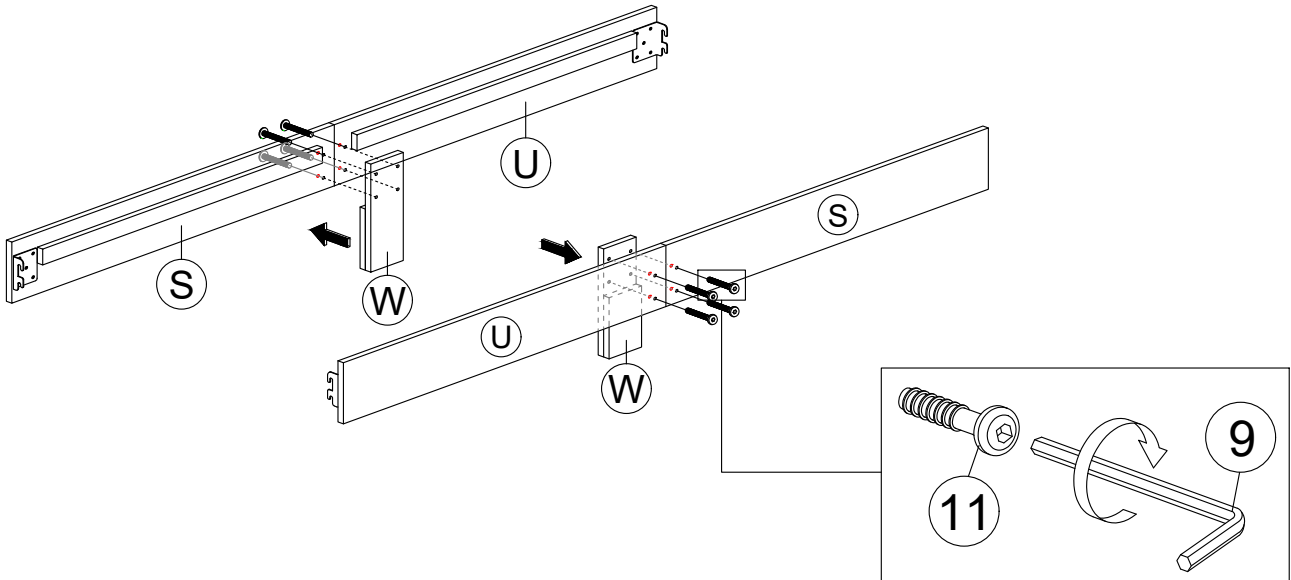
ASSEMBLY INSTRUCTION

Step 23

Required/Requis/Requerido

x1  9

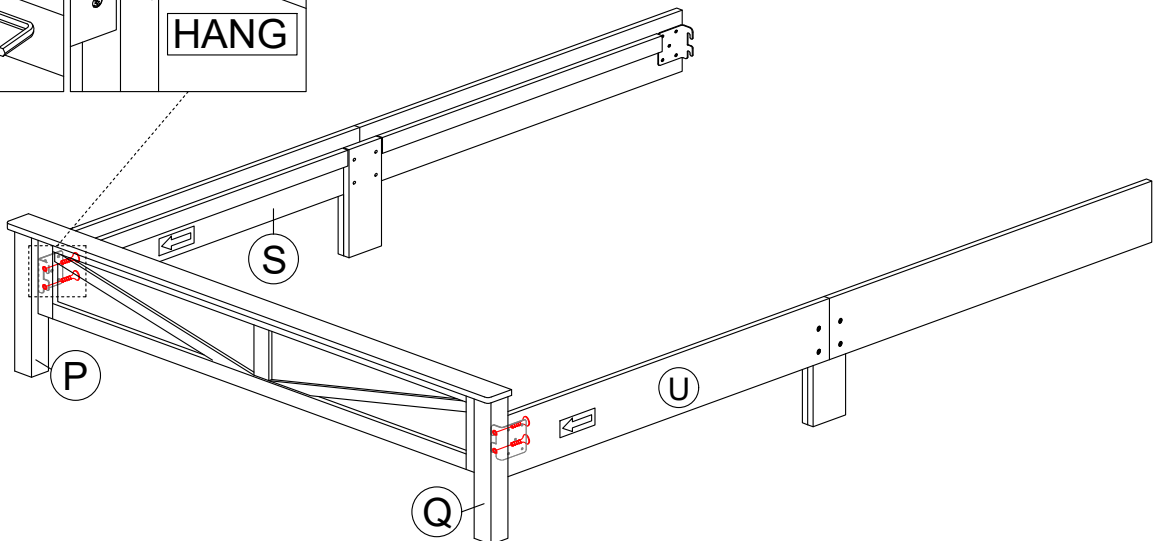
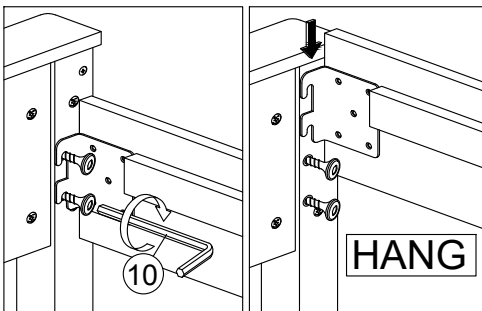
x8  11



Step 24

Required/Requis/Requerido

x1  10



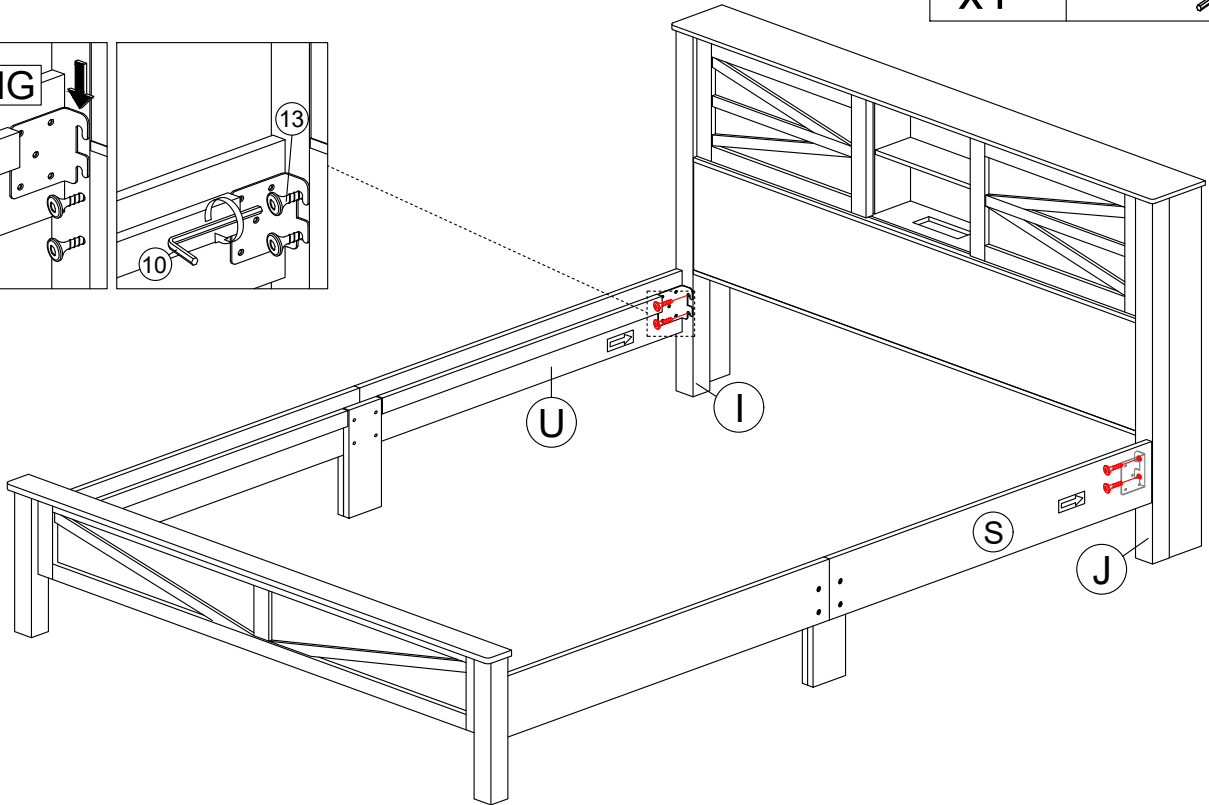
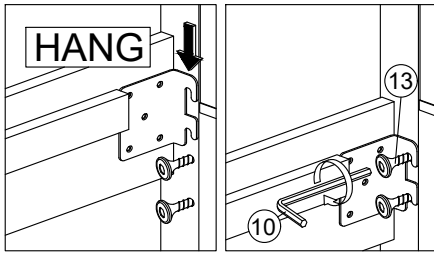
ASSEMBLY INSTRUCTION

Step 25

Required/Requis/Requerido

x1

→ 10



Step 26

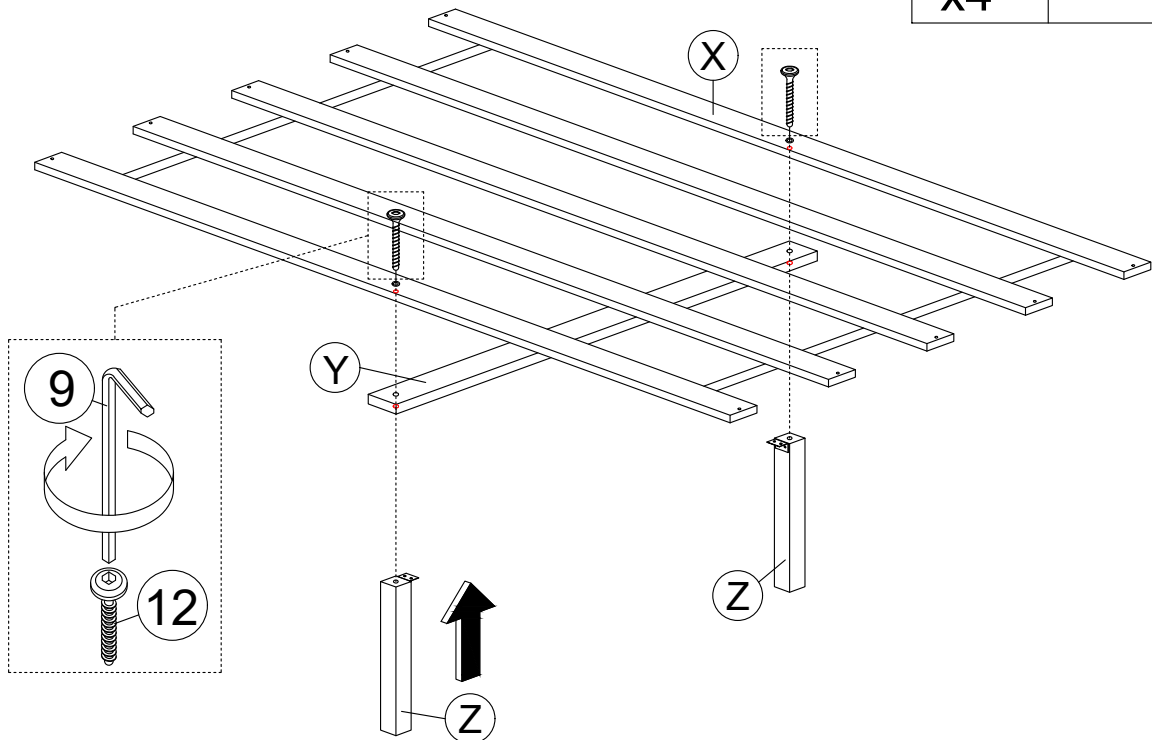
Required/Requis/Requerido

x1

→ 9

x4

→ 12



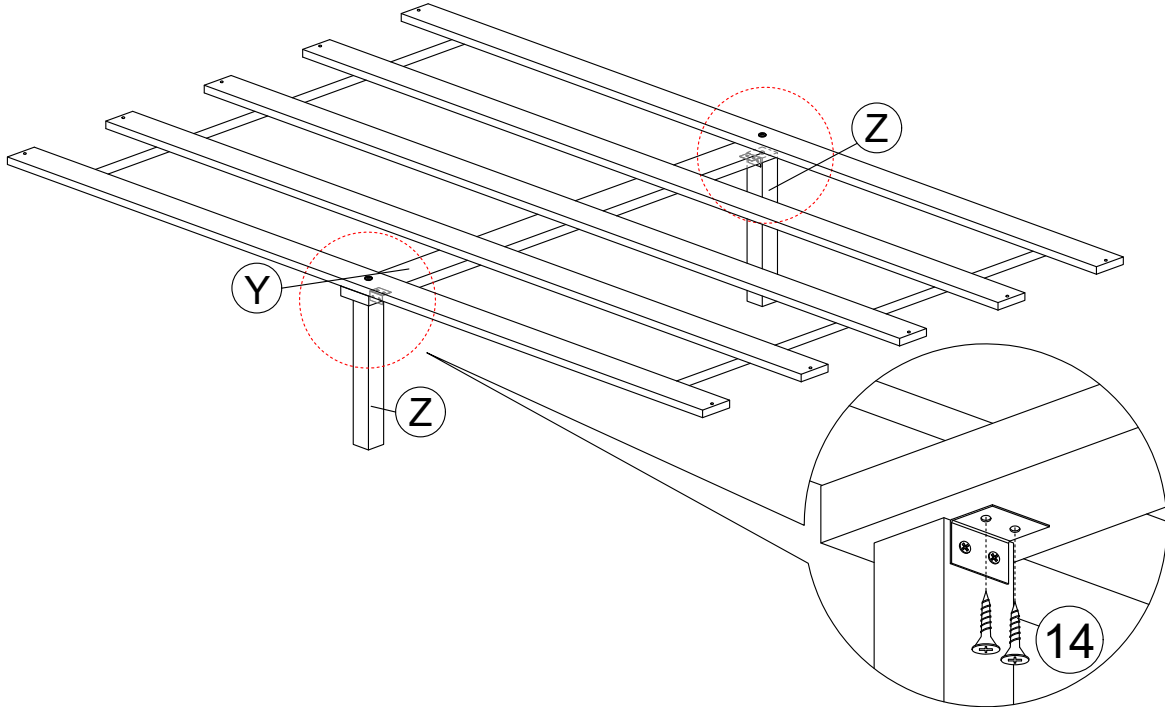
x2

ASSEMBLY INSTRUCTION

Step 27

Required/Requis/Requerido

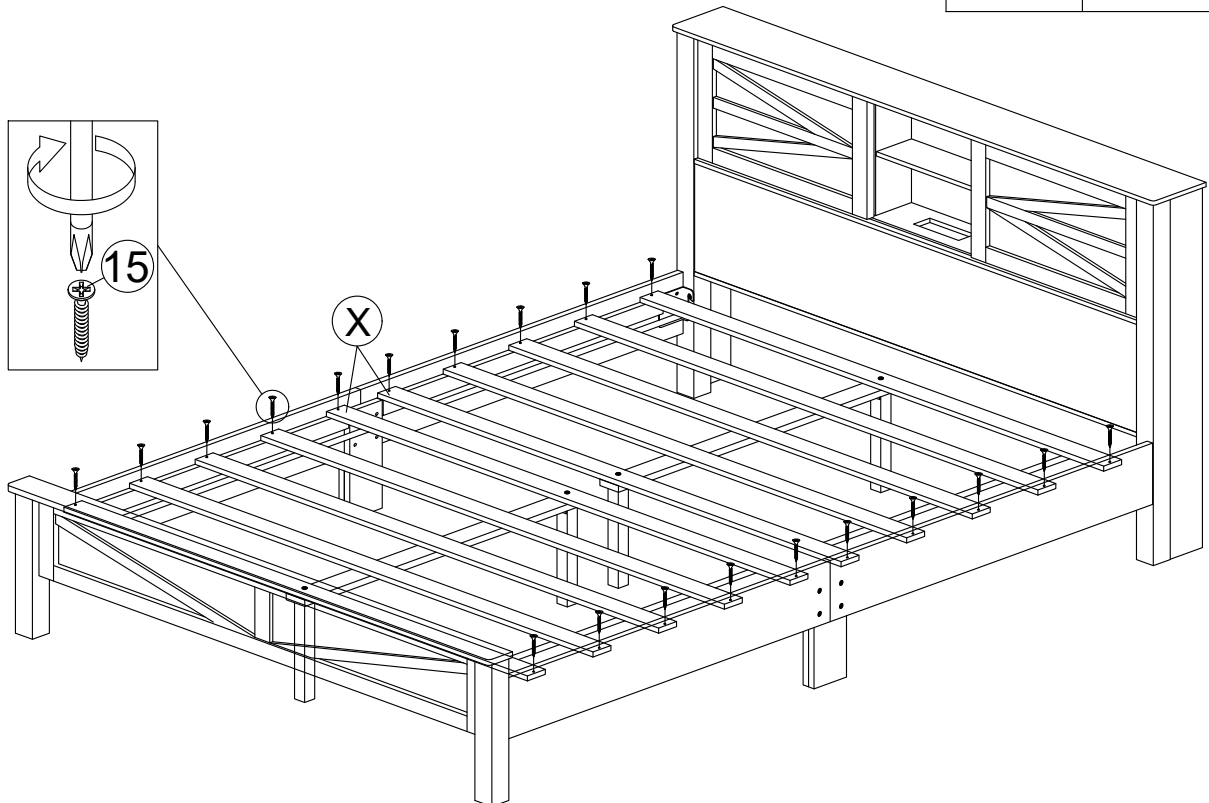
x8



Step 28

Required/Requis/Requerido

x20



ASSEMBLY INSTRUCTION

Completed

Required/Requis/Requerido

x1

