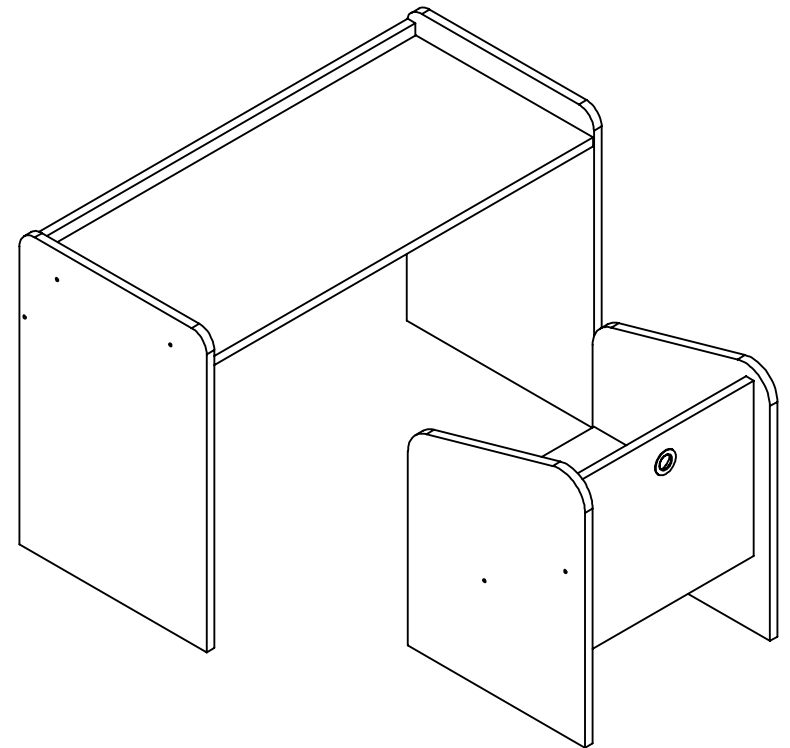
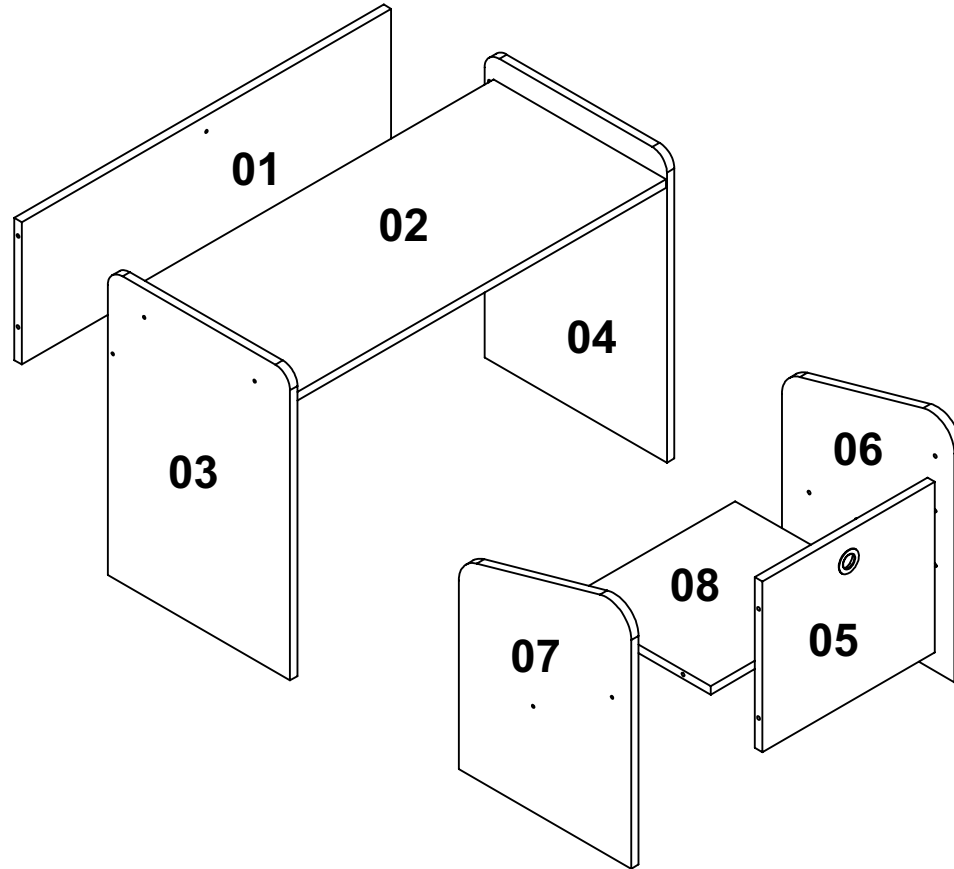


Installation & Assembly



We're thrilled to have you as a customer and to be part of your home.
Your trust means the world to us, and we hope you'll think of us for future home furnishing needs.
Your feedback is incredibly valuable as we continue to design products that bring your dreams to life.

ASSEMBLY INSTRUCTIONS

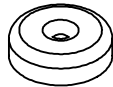


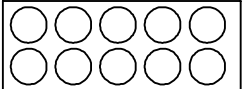


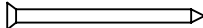
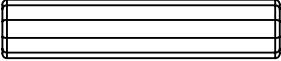
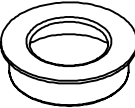
COD	DESCRIPTION	DIMENSIONS	QTY
01	BACK (TABLE)	29 5/8"x 9 7/8"x 5/8"	01
02	TOP (TABLE)	29 5/8"x 13 7/8"x 5/8"	01
03	LEFT SIDE (TABLE)	21 1/4"x 14 5/8"x 5/8"	01
04	RIGHT SIDE (TABLE)	21 1/4"x 14 5/8"x 5/8"	01
05	BACK (CHAIR)	13 7/8"x 11 3/4"x 5/8"	01
06	LEFT SIDE (CHAIR)	17 3/4"x 13 7/8"x 5/8"	01
07	RIGHT SIDE (CHAIR)	17 3/4"x 13 7/8"x 5/8"	01
08	TOP/SEAT (CHAIR)	13 7/8"x 11 3/4"x 5/8"	01

IMPORTANT: PLEASE READ THE INSTRUCTIONS CAREFULLY BEFORE ASSEMBLY.

NECESSARY TOOLS:



A		FOOT	08
B		GLUE	01
C		SCREW Ø3,5X40 CC	11
D		STICKER 12MM	11

E		NAIL 10X10	08
F		WOOD DOWEL Ø6X30	16
G		PULL	01

RECOMMENDATIONS:

- 01 – Carefully check all parts before starting assembly.
- 02 – We strongly recommend assembling this product by following the steps provided in this Instruction Manual.
- 03 – It is the assembler's responsibility to ensure that the furniture is properly assembled according to the instructions.
- 04 – Make sure all bolts, nuts, and screws are securely fastened, but be careful not to overtighten them.

CLEANING:

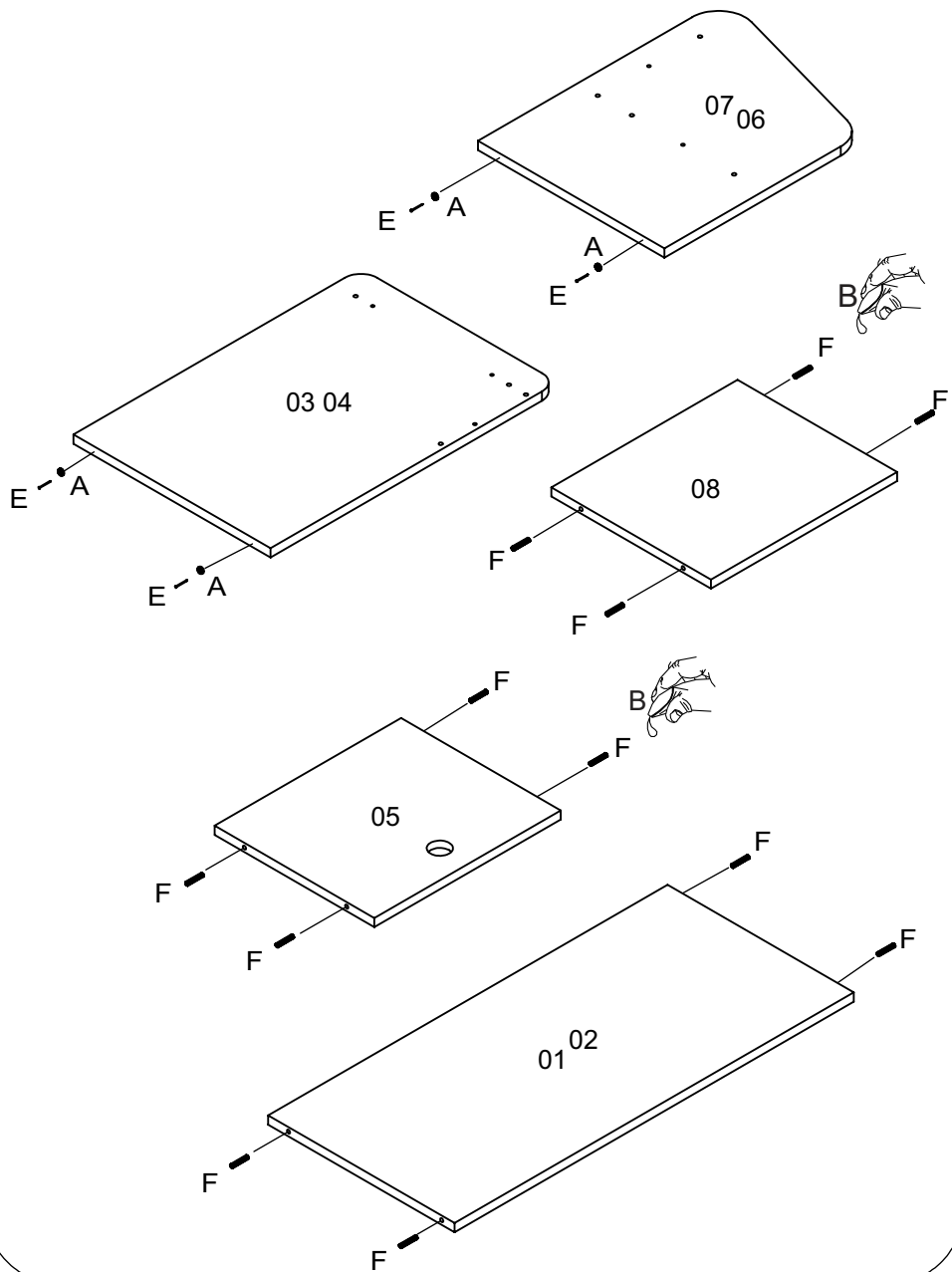
- 01 – Wipe with a cloth slightly dampened with water.
- 02 – Avoid using chemicals or abrasive cleaners.

WARNINGS:

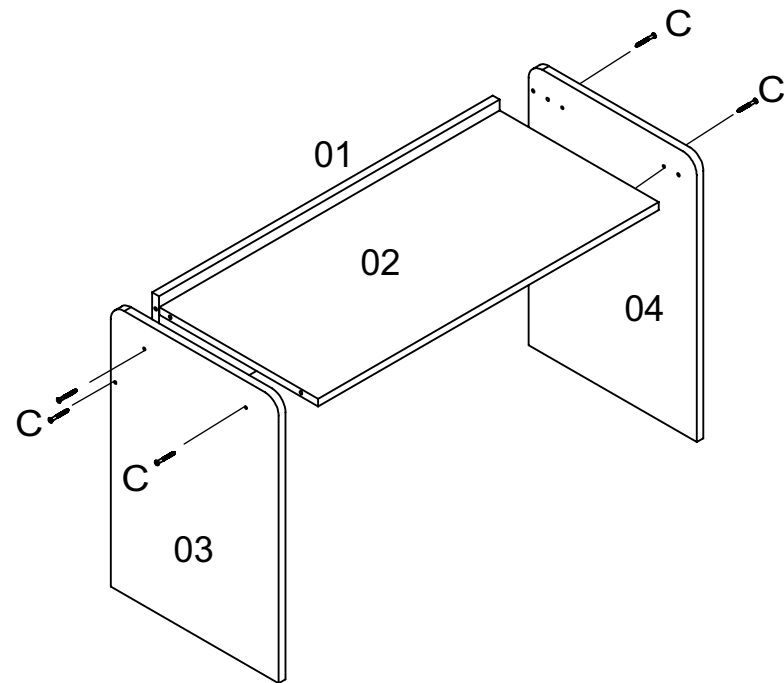
- 01 - Keep the product away from open flames and other heat sources, such as electric or gas heaters.
- 02 - Do not use the product if any parts are broken, torn, or missing. Only use manufacturer-approved replacement parts.

01

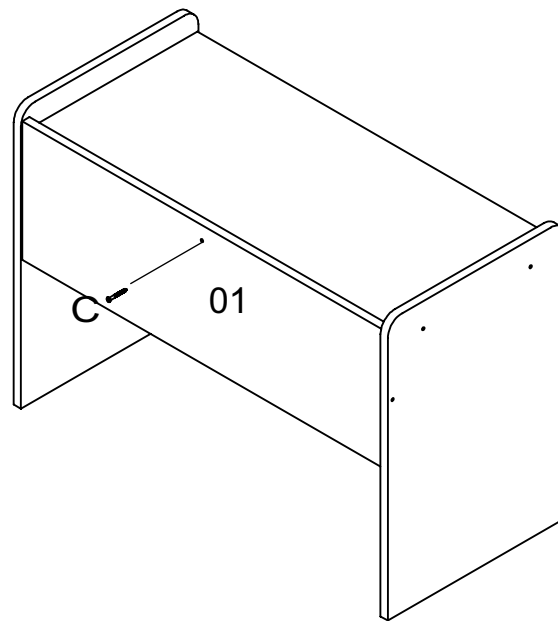
PLACE GLUE "B" ON DOWELS "F".



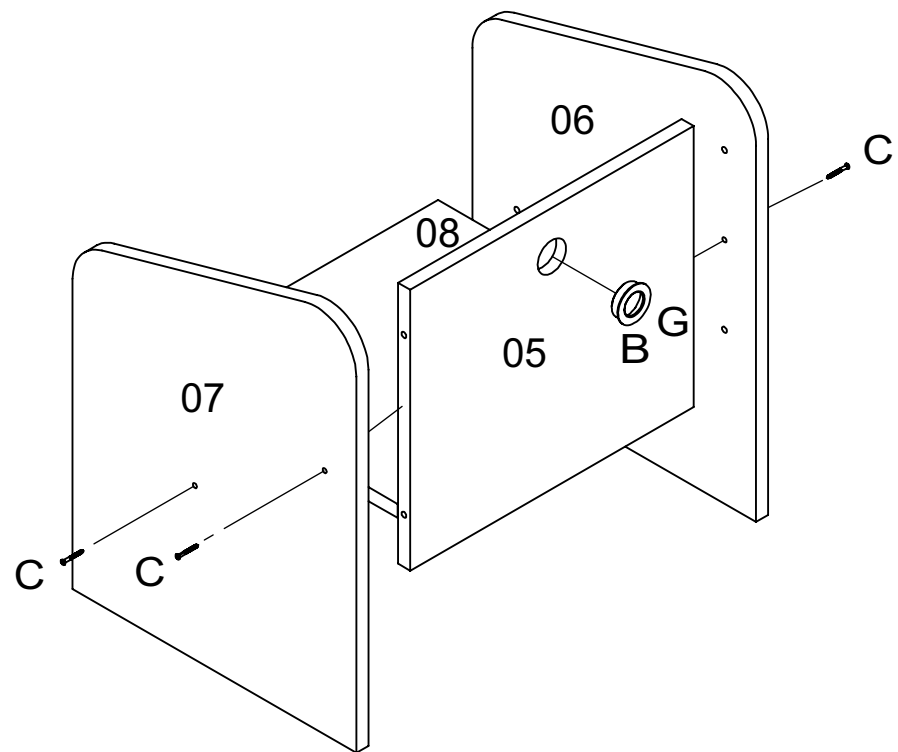
02



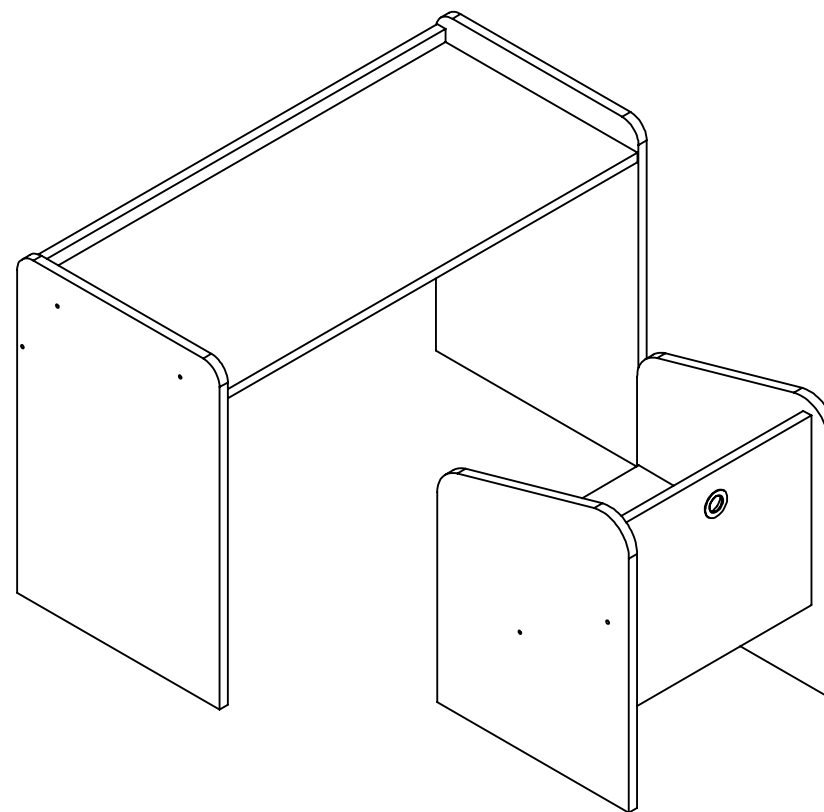
03



04



05



MAXIMUM WEIGHT CAPACITY: 121,3 lbs