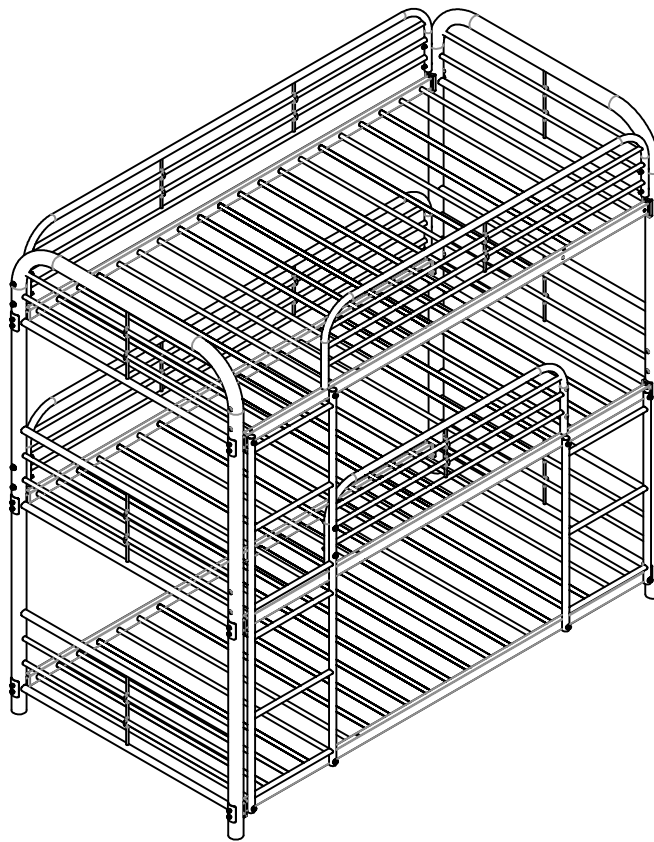


Assembly Instructions



ASSEMBLY RATING

The Assembly Rating is a 5-point system that shows the degree of effort needed in assembling a specific product (with 1 being easy and 5 being difficult). For some products, two persons are recommended.

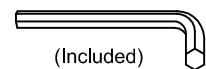
EASY



DIFFICULT

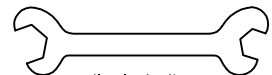
Tools Required For Assembly:

Allen Wrench



(Included)

Open spanner

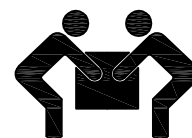


(Included)

Phillips Screwdriver



(Not Included)



2 PERSONS RECOMMENDED

ASSEMBLY & CARE ADVICE

FOR YOUR FURNITURE TO LAST, CORRECT ASSEMBLY AND PROPER MAINTENANCE ARE NECESSARY. PLEASE FOLLOW THE INFORMATION PROVIDED BELOW TO FULLY ENJOY YOUR FURNITURE.

BASIC ASSEMBLY TECHNIQUES



When lock or spring washer is used in an assembly, please make sure the lock or spring washer is placed between the larger flat washer and the head of the screw or bolt.



Position each part correctly and insert screws or bolts into their respective holes by hand tighten or using the proper hand tool. Only tighten when step is completed or when instructed to do so.



Use cardboard or carpet area when assembling furniture to prevent scratches. Make sure the furniture rests on a flat and level surface with each leg evenly touching the floor.



Some furniture comes with height adjustment knobs underneath each leg. To lower or to raise each leg, you need to turn clockwise or counterclockwise, respectively.

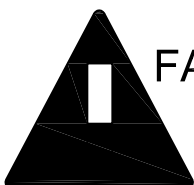


Make sure all parts are properly aligned, then use the appropriate hand tool to completely tighten the bolts or screws. Do not use power tools and do not overtighten.

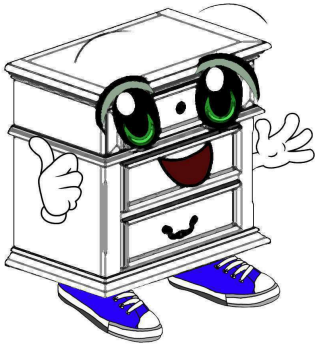


Save the instructions and store the Allen wrench or any supplied tool for later maintenance. After two weeks, check and tighten any loose hardware and repeat again every six months thereafter.

IT IS THE USER'S RESPONSIBILITY TO MAINTAIN THE FURNITURE. THE HARDWARE MAY LOOSEN OVER TIME AND MAY CAUSE THE FURNITURE TO BE WOBBLY AND UNABLE TO SUPPORT ITS INTENDED WEIGHT CAPACITY. THIS MAY LEAD TO COLLAPSE AND MAY CAUSE SERIOUS INJURY.



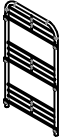
FAILURE TO FOLLOW THE GUIDELINES ABOVE MAY RESULT IN INJURY AND/OR PROPERTY DAMAGE.



Before you begin, please read Page 2 of "Assembly and Care Advice".

And remember, do not tighten until each step is completed or instructed.

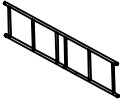
Parts List



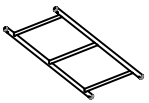
#1 x 2pcs
Side Support Frame



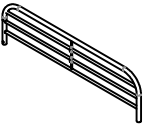
#2 x 3pcs
Bed Slat



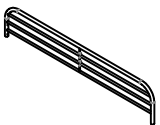
#3 x 1pc
Long Ladder



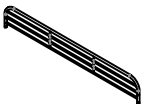
#4 x 1pc
Short Ladder



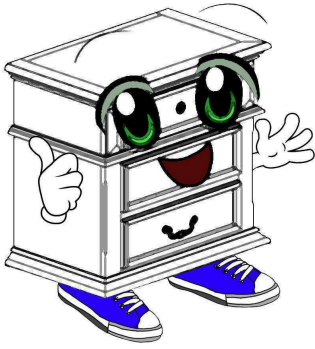
#5 x 1pc
Front Middle Guardrail



#6 x 1pc
Front Top Guardrail



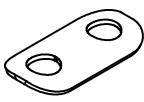
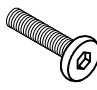
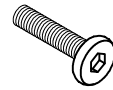
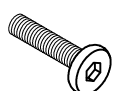
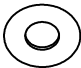


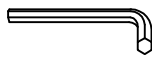
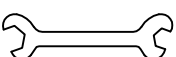
#7 x 2pcs
Back Guardrail







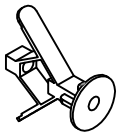

Before you begin, please read Page 2 of "Assembly and Care Advice".

And remember, do not tighten until each step is completed or instructed.

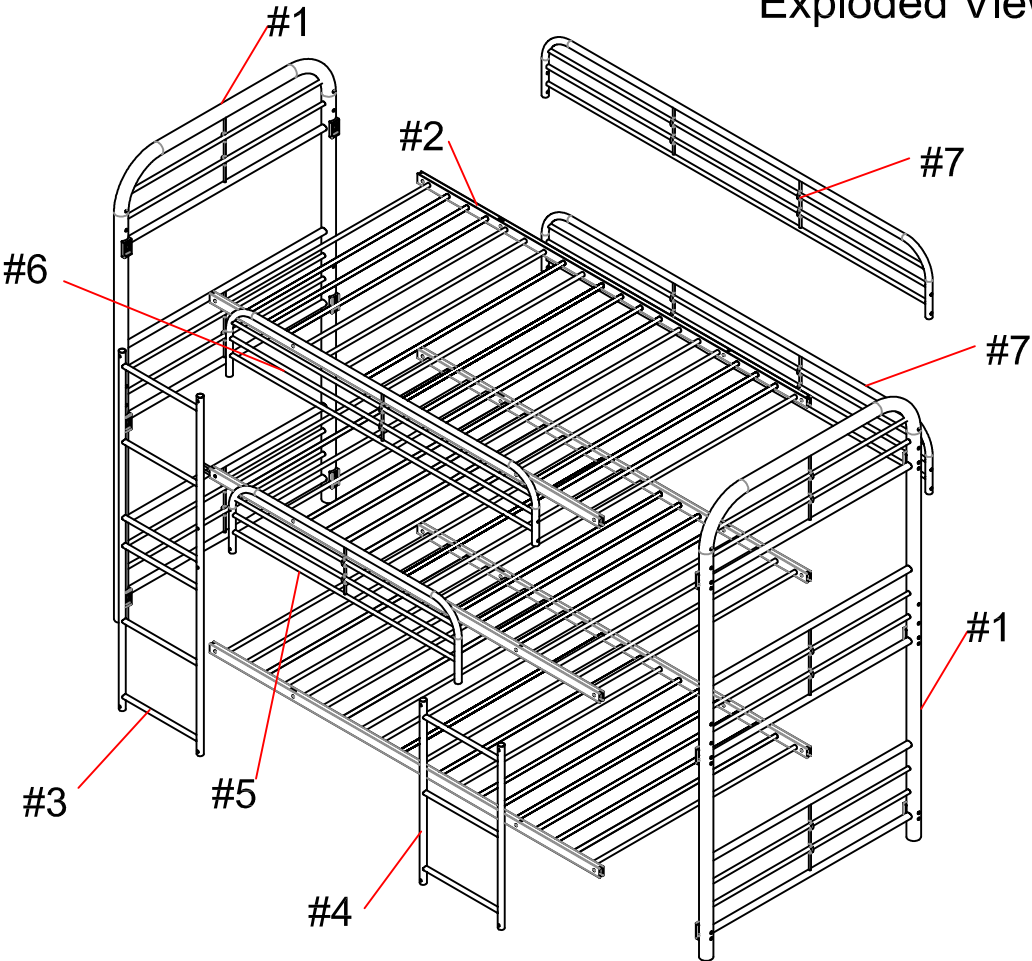
Hardware List

-  #A x 12pcs
Washer
-  #B x 10pcs
Bolt 5/16-18UNC X 3³/₈"
-  #C x 24pcs
Bolt 5/16-18UNC X 2³/₄"
-  #D x 12pcs
Bolt 1/4-20UNC*2⁵/₃₂"
-  #E x 20pcs
Flat Washer 5/16-18
-  #F x 10pcs
HEX NUT 5/16-18UNC
-  #G x 10pcs
HEX NUT 1/4-20UNC
-  #H x 1pcs
Allen Wrench 5/16-18
-  #I x 1pc
Open spanner

Hardware List

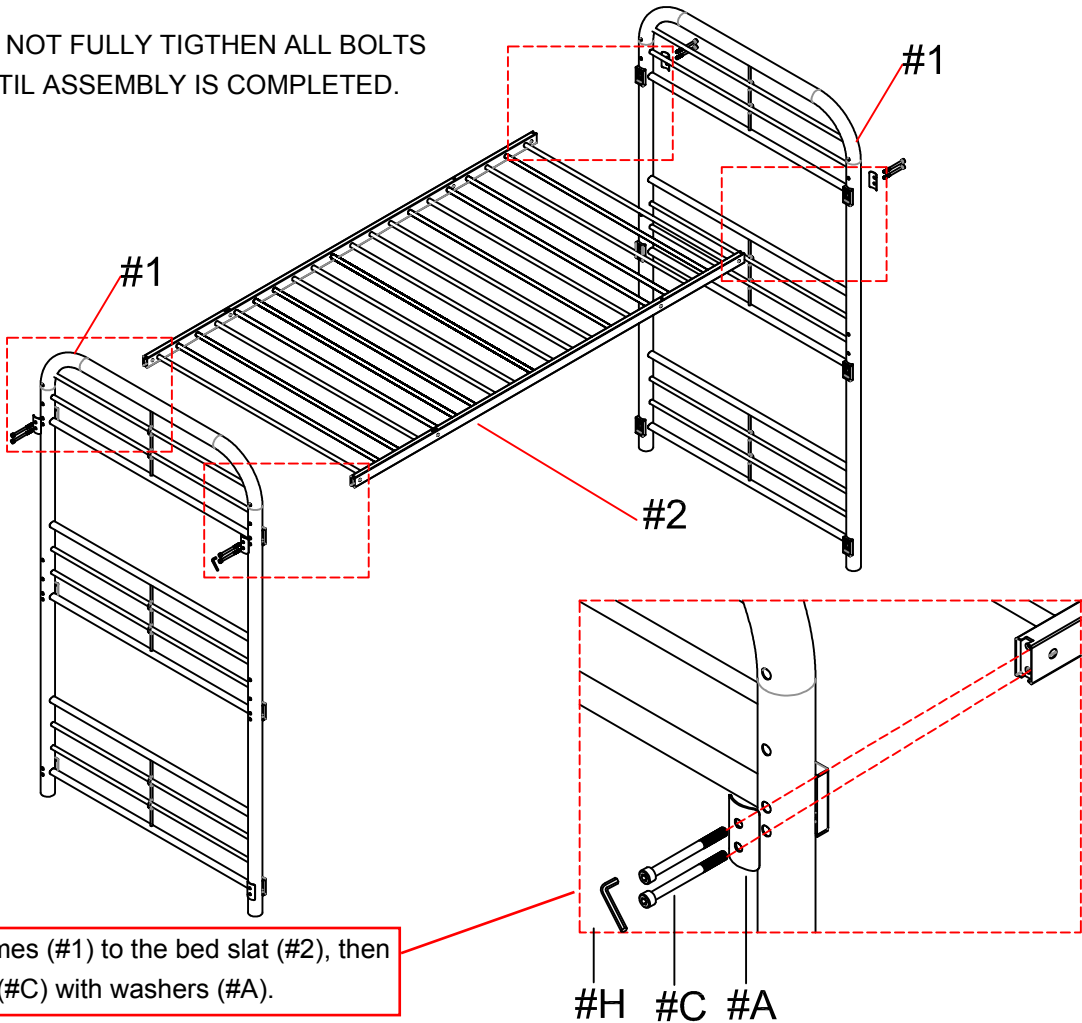
-  #J x 12pcs
Plug Ø11
-  #K x 4pcs
Plug Ø9
-  #M x 2pcs
Screw
-  #N x 2pcs
Metal Plate
-  #O x 2pcs
Bracket
-  #P x 2pcs
Girding

Exploded View



DO NOT FULLY TIGHTEN ALL BOLTS UNTIL ASSEMBLY IS COMPLETED.

#A x 4pcs
#C x 8pcs

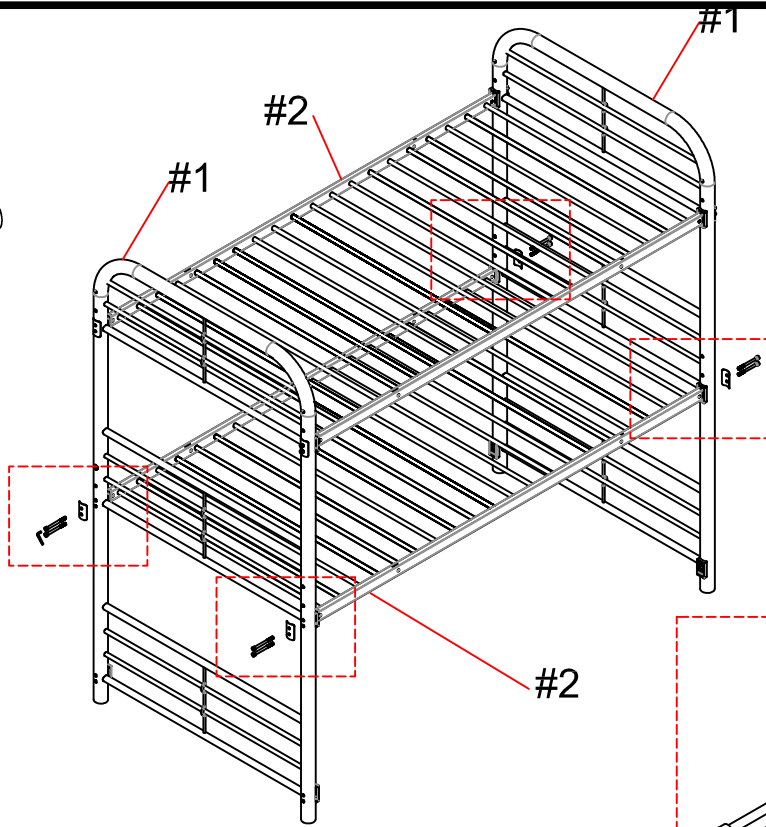


Align side support frames (#1) to the bed slat (#2), then secure by using bolts (#C) with washers (#A).

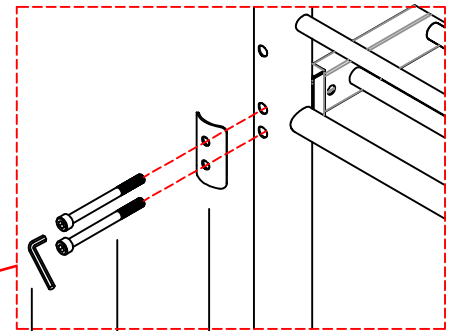


#2

#A x 4pcs
#C x 8pcs



Align bed slat (#2) to the side support frames (#1), then secure by using bolts (#C) with washers (#A)

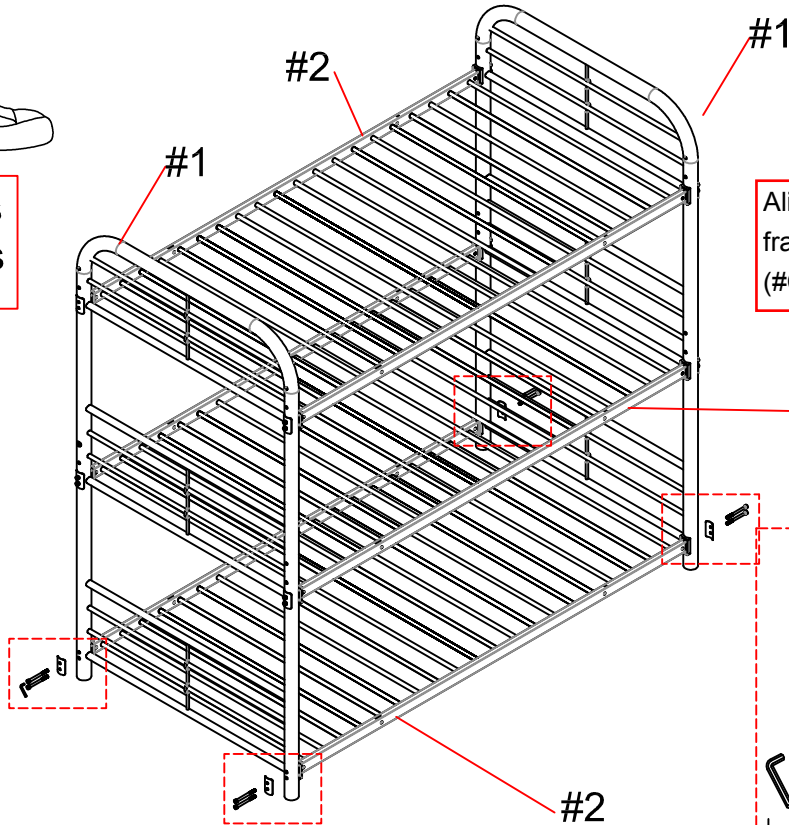


#H #C #A

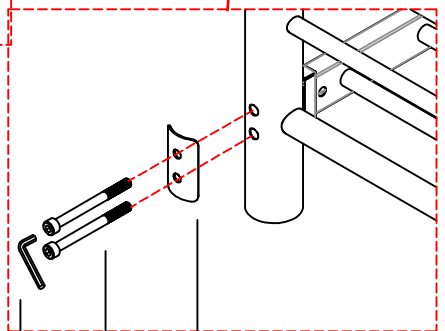


#3

#A x 4pcs
#C x 8pcs



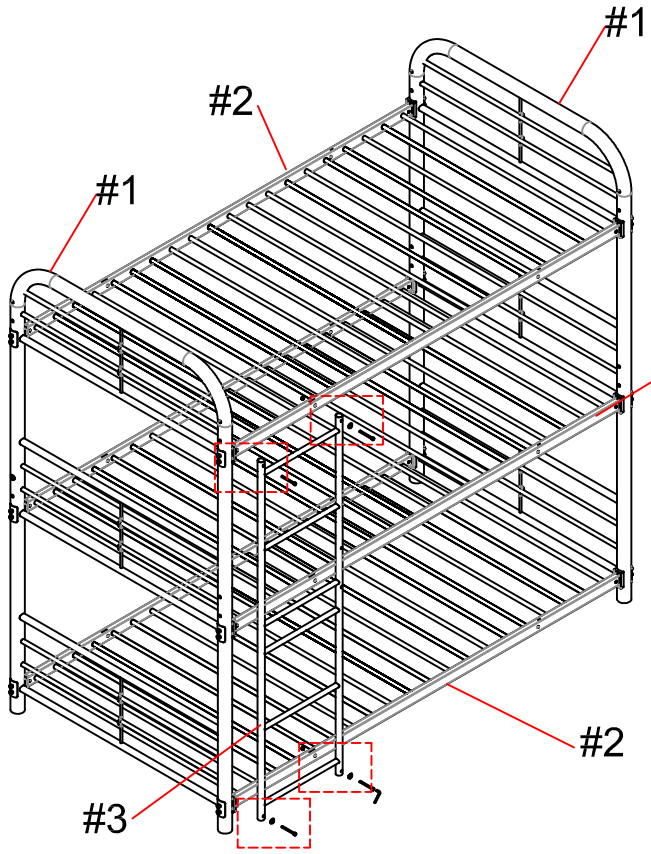
Align bed slat (#2) to the side support frames (#1), then secure by using bolts (#C) with washers (#A)



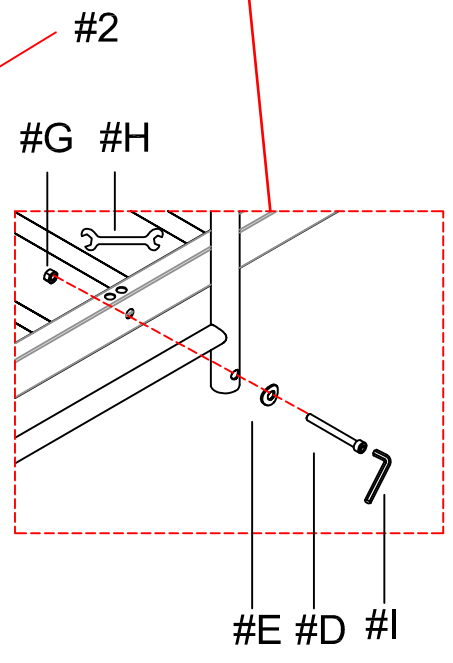
#H #C #A



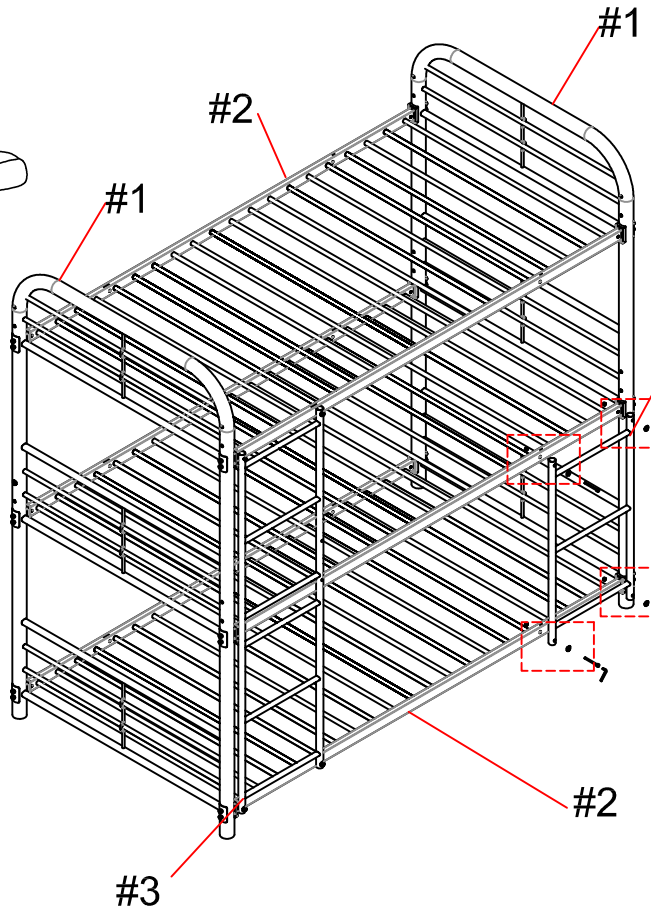
#D x 4pcs
#E x 4pcs
#G x 4pcs



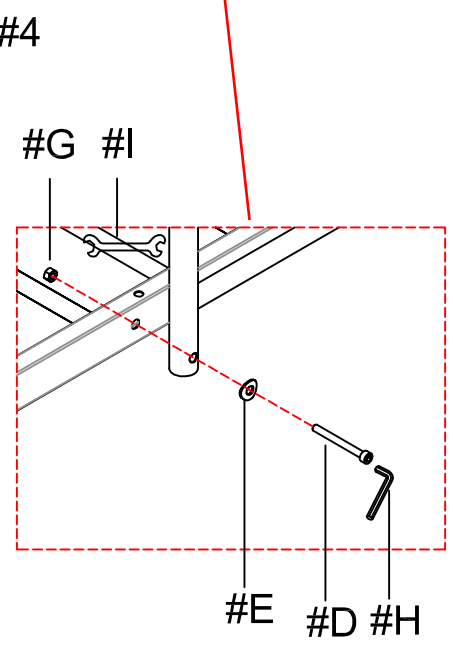
Align long ladder (#3) to the holes of the bunk bed, then secure by using bolts (#D) with washers (#E), to hex nut (#G).



#D x 4pcs
#E x 4pcs
#G x 4pcs



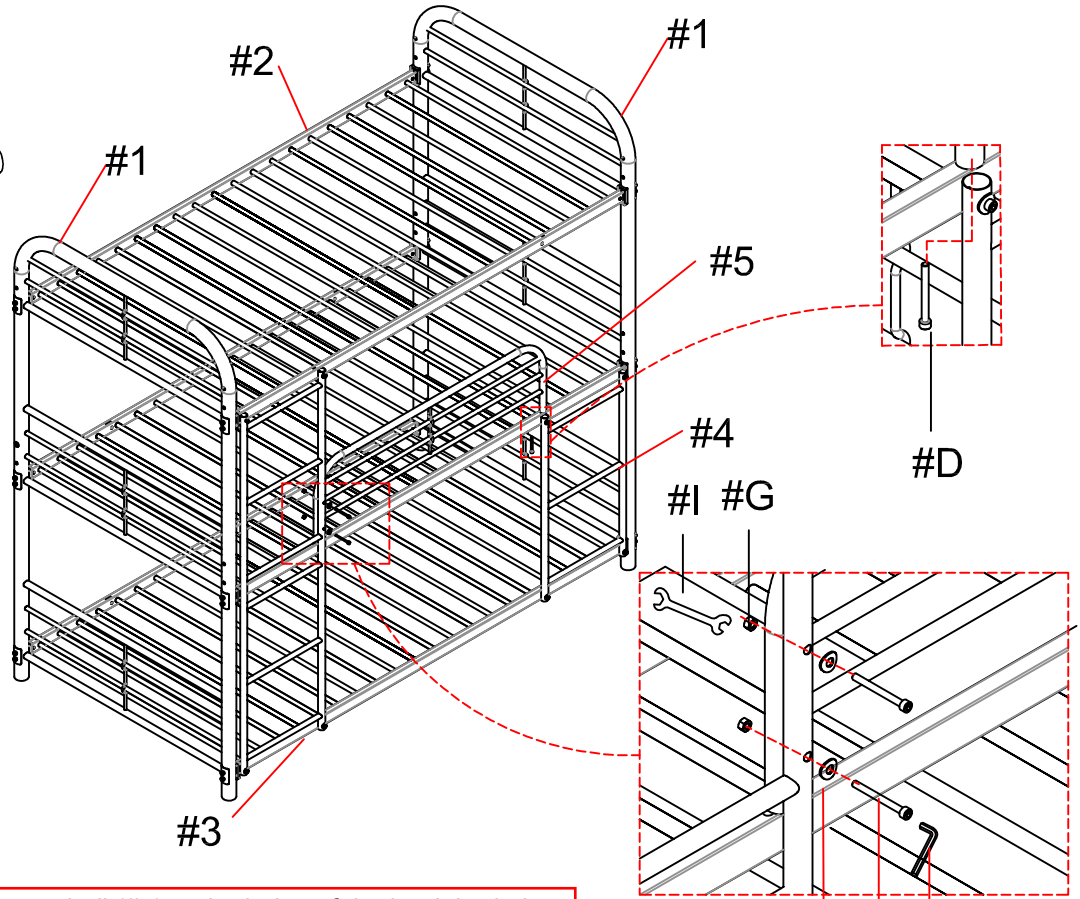
Align short ladder (#4) to the holes of the bunk bed, then secure by using bolts (#D) with washers (#E), to hex nut (#G).





#6

- #D x 3pcs
- #E x 2pcs
- #G x 2pcs



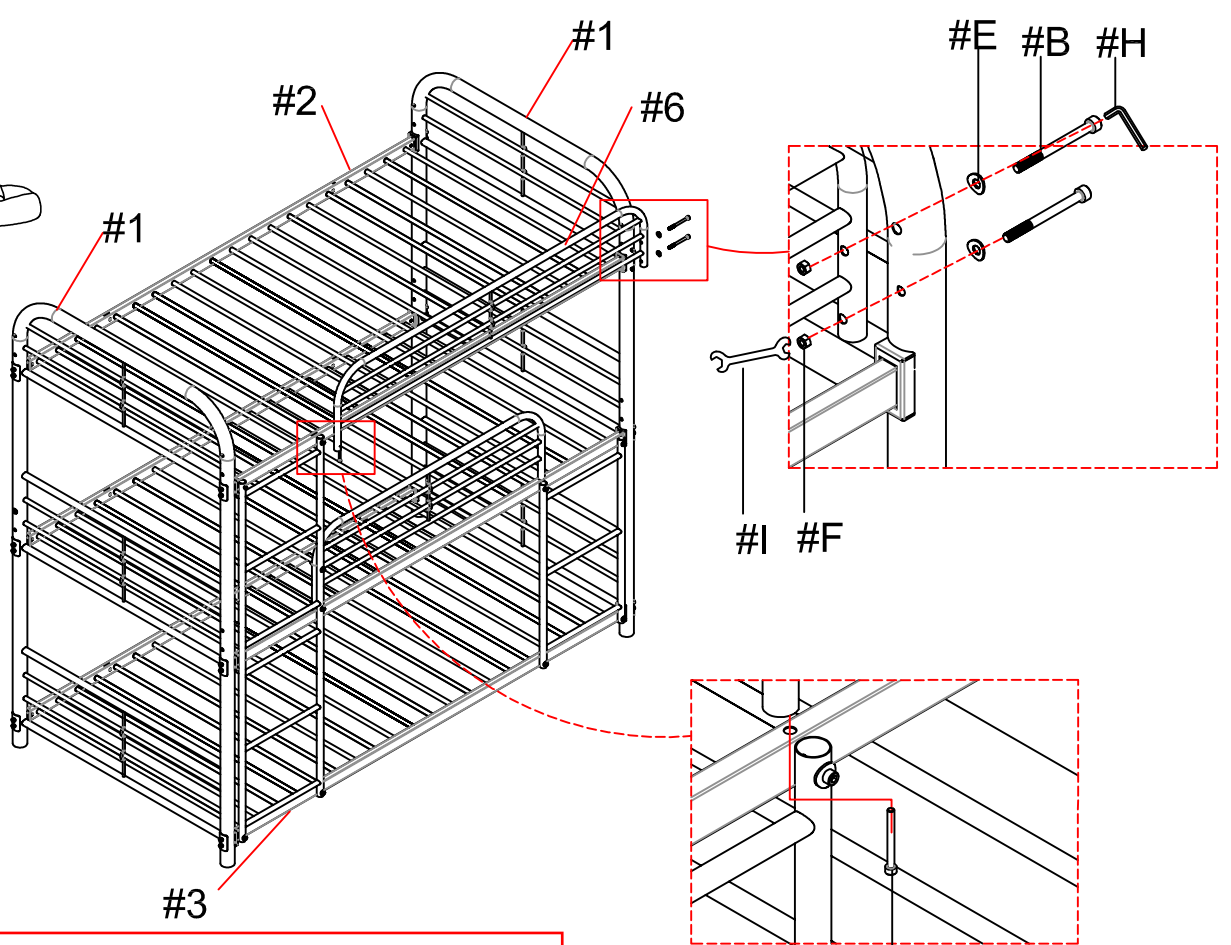
Align front middle guardrail (#5) to the holes of the bunk bed, then secure by using bolts (#D) with washers (#E), to hex nut (#G).

#E #D #H



#7

- #B x 2pcs
- #D x 1pc
- #E x 2pcs
- #F x 2pcs

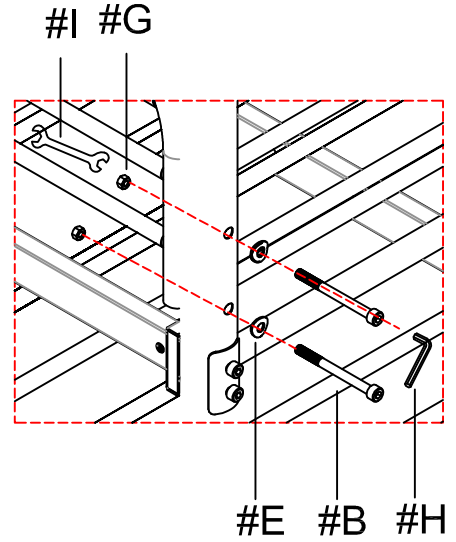
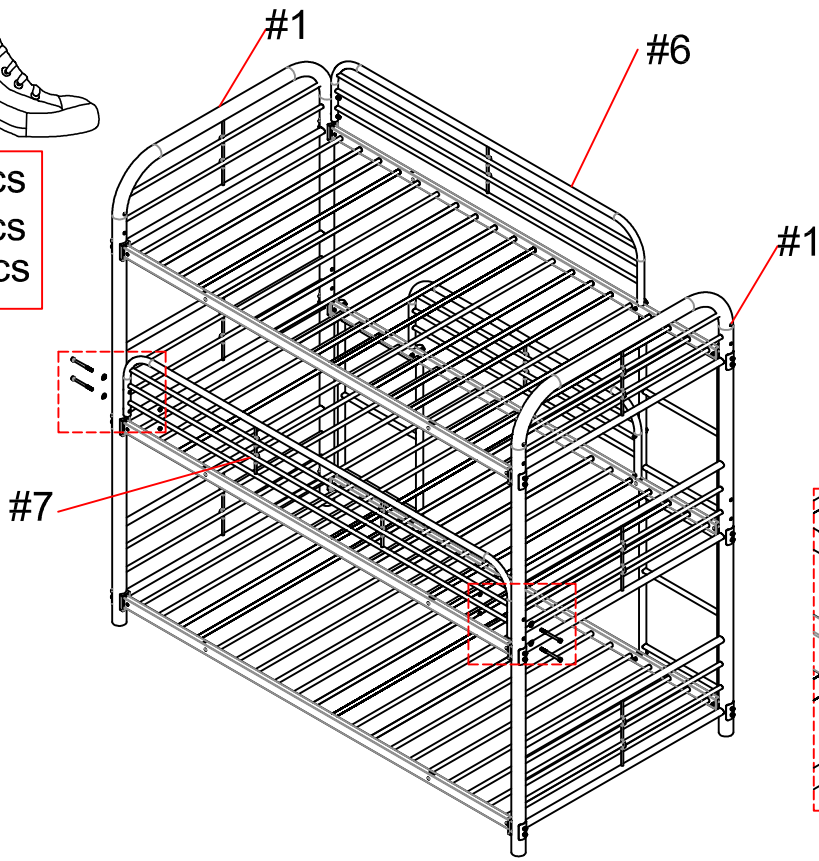


Align front top guardrail (#6) to the holes of the bunk bed, then secure by using bolts (#B) with washers (#E), to hex nut (#G).

#D



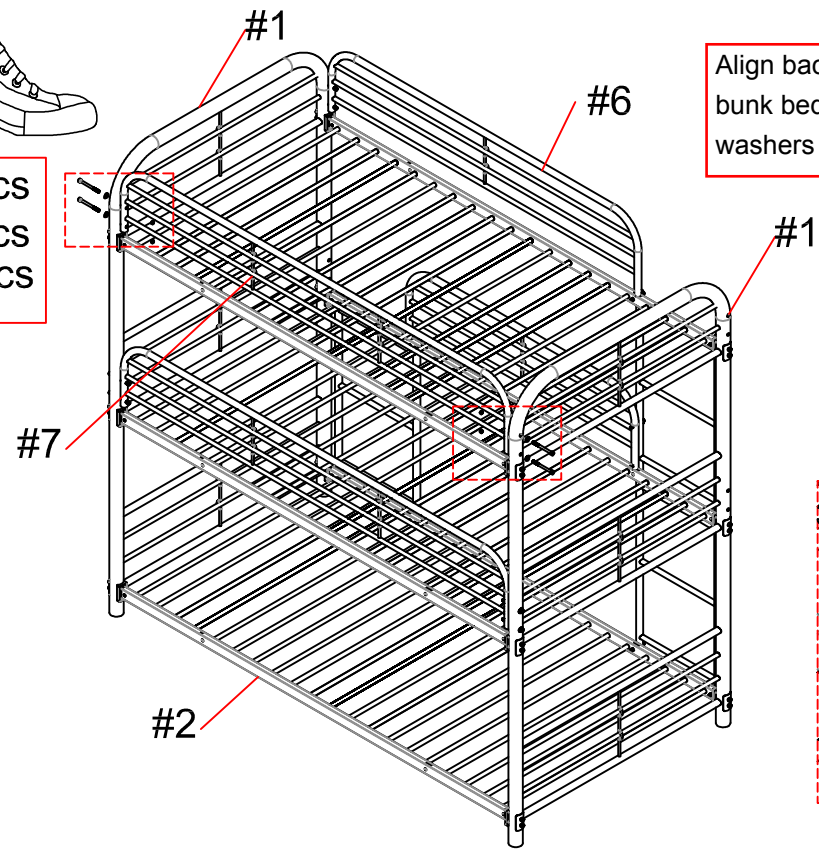
#B x 4pcs
 #E x 4pcs
 #G x 4pcs



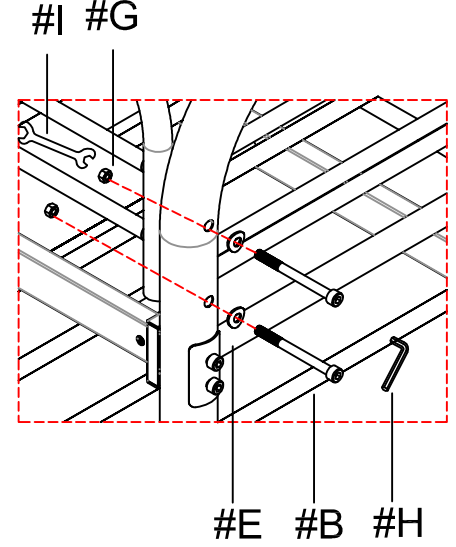
Align back guardrail (#7) to the holes of the bunk bed, then secure by using bolts (#B) with washers (#E), to hex nut (#G).



#B x 4pcs
 #E x 4pcs
 #G x 4pcs



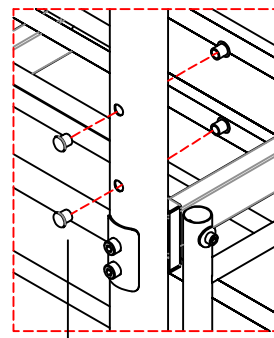
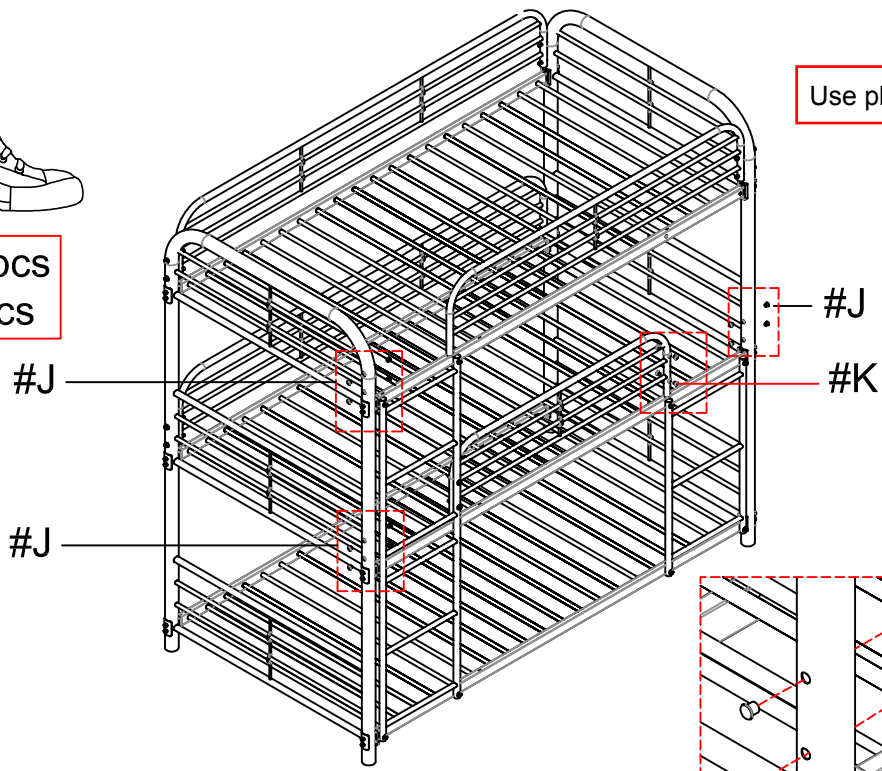
Align back guardrail (#7) to the holes of the bunk bed, then secure by using bolts (#B) with washers (#E), to hex nut (#G).



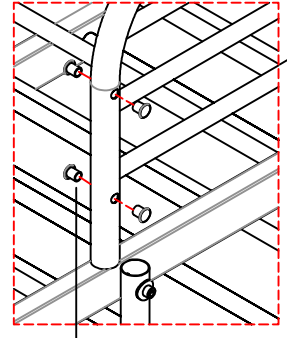


#J x 12pcs
#K x 4pcs

Use plugs (#J,K) to cover holes.



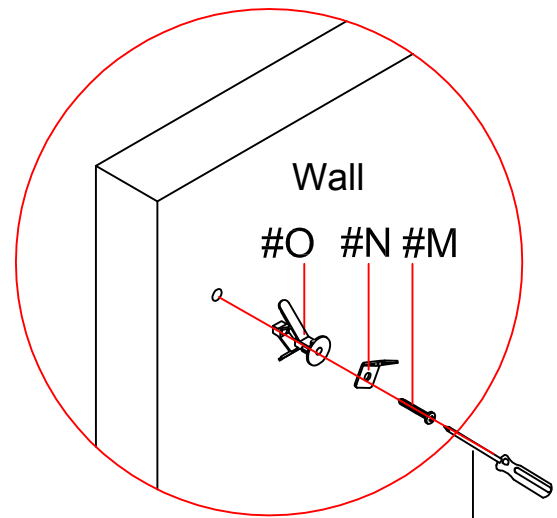
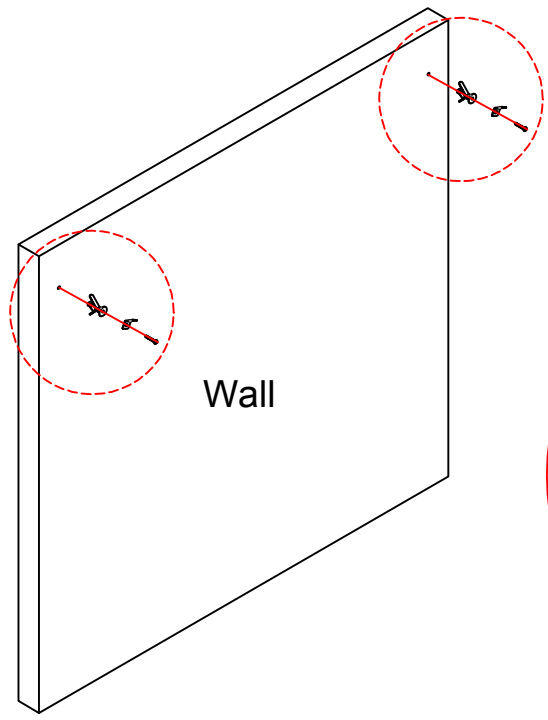
#J



#K



#M x 2pcs
#N x 2pcs
#O x 2pcs

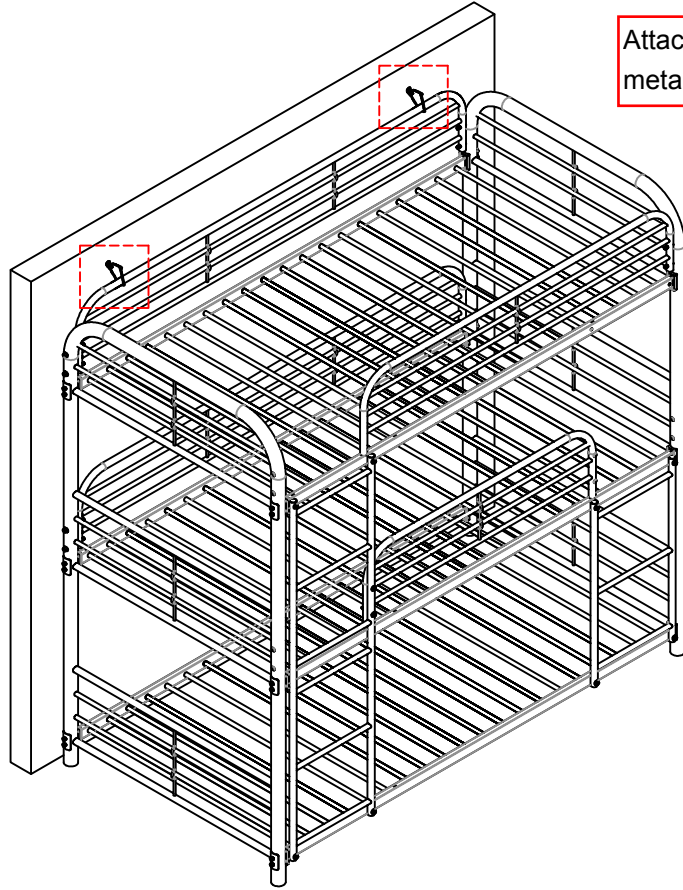


SCREWDRIVER
(NOT PROVIDED)

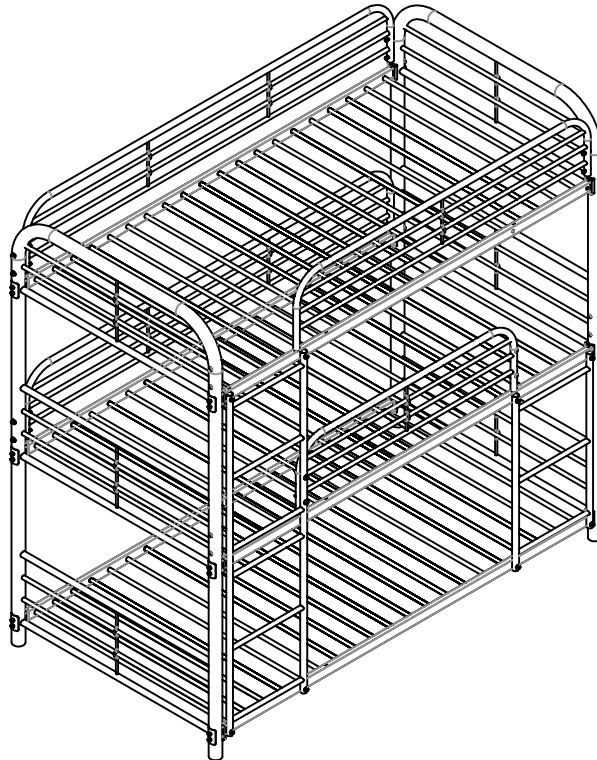
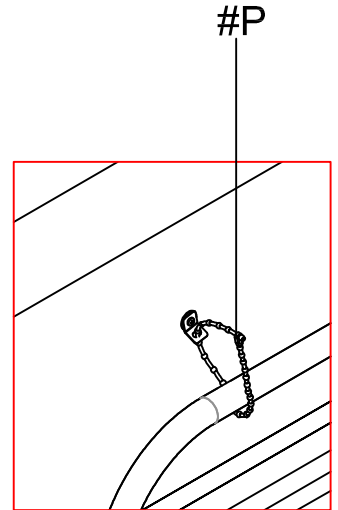
- 1) Place bunk bed by the wall to measure out the general area of where the wall anchor should be placed.
- 2) Secure metal plate (#N) to the wall anchor (#O) by using screws (#M).



#P x 2pcs



Attach the straps (#P) to the guardrail and metal plate.



Safety Warnings

1. Follow the information on the warnings appearing on the upper bunk end structure and on the carton . Do not remove warning label from bed.
2. Always use the recommended size mattress or mattress support, or both, to help prevent the likelihood of entrapment or falls.
3. Surface of mattress must be at least 5 in(127mm). below the upper edge of guardrails .
4. Do not allow children under 6 years of age to use the upper bunk.
5. Periodically check and ensure that the guardrail, ladder ,and other components are in their proper position ,free from damage ,and that all connectors are tight .
6. Do not allow horseplay on or under the bed and prohibit jumping on the bed.
7. Always use the ladder for entering and leaving the upper bunk.
8. Do not use substitute parts ,Contact manufacturer or dealer for replacement parts.
9. Use of a night light may provide added safety precaution for a child using the upper bunk.
10. Always use guardrails on both long sides of the upper bunk.
If the bunk bed will be placed next to the wall, the guardrail that runs the full length of the bed should be placed against the wall to prevent entrapment between the bed and the wall.
11. The use of water or sleep flotation mattress is prohibited .
12. Keep these instructions for future reference.
13. Use only mattress which is (74"-74.5")X(37 $\frac{1}{2}$ "-38 $\frac{1}{2}$ ")X6" on upper bunk and under bunk .
14. Prohibit more than one person on upper bunk.
15. Maximum total weight is not to exceed 400 lbs.on the upper bunk.

STRANGULATION HAZARD:

Never attach or hang items to any part of the bunk bed that are not designed for use with the bed, for example, but not limited to, hooks, belts, and jumpropes.