

General Guidelines

1. Please read the following tips carefully and use the product correctly.
2. If you buy the product for others, please keep these tips and send them to the receiver.
3. In order for you to have a clear and summary preview, we have not described all possible scenarios and installation details that may be involved. If you need more information and help, please contact us.

Mounting Notes

1. Check that all the parts are complete and intact before assembly.
2. Mount the product on a level and firm ground.
3. Please check and make sure that the wall is suitable for mounting in advance. Before the windy weather hits, be sure to retract or dismantle the product. Recommended for use in wind speeds below force 2.
4. Ensure that no one is within the range of the product when it is extended or retracted.
5. It is strictly forbidden to hang any objects on the product.
6. The service life of the product, especially the life of the plastic parts, depends to a large extent on the weather conditions of the mounting site, so please check the product regularly to ensure that it is in good condition.
7. When unpacking, use scissors with rounded corners to avoid damaging the fabric.
8. 2 people are recommended for mounting this product.

Warnings




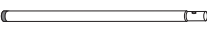






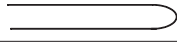
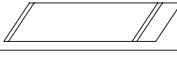



1. Do not use it in bad weather conditions (e.g., rain, snow, frost, etc.). The product is not suitable for protection against rain, snow, or wind.
2. Always use the product on a flat and level surface.
3. Keep away from fire sources.
4. Do not start a fire or barbecue in or around the product.
5. This product is only intended to protect the area below it from solar radiation and to reduce possible reflections. Therefore, when water or snow accumulates on the roof, it needs to be removed in time to avoid the danger of overwhelming the frame due to weight.
6. Do not place items on and/or lean on the product.
7. Do not hang or lean on the product.
8. It can be wiped clean with a damp cloth and a neutral cleaner.
9. To ensure the service life of the product, ensure that it is completely dry before storing.
10. There are many small parts, so do not allow children to play with the packaging material for safety.
11. Do not alter the design or configuration of the frame or any safety device, as this may result in a hazard.

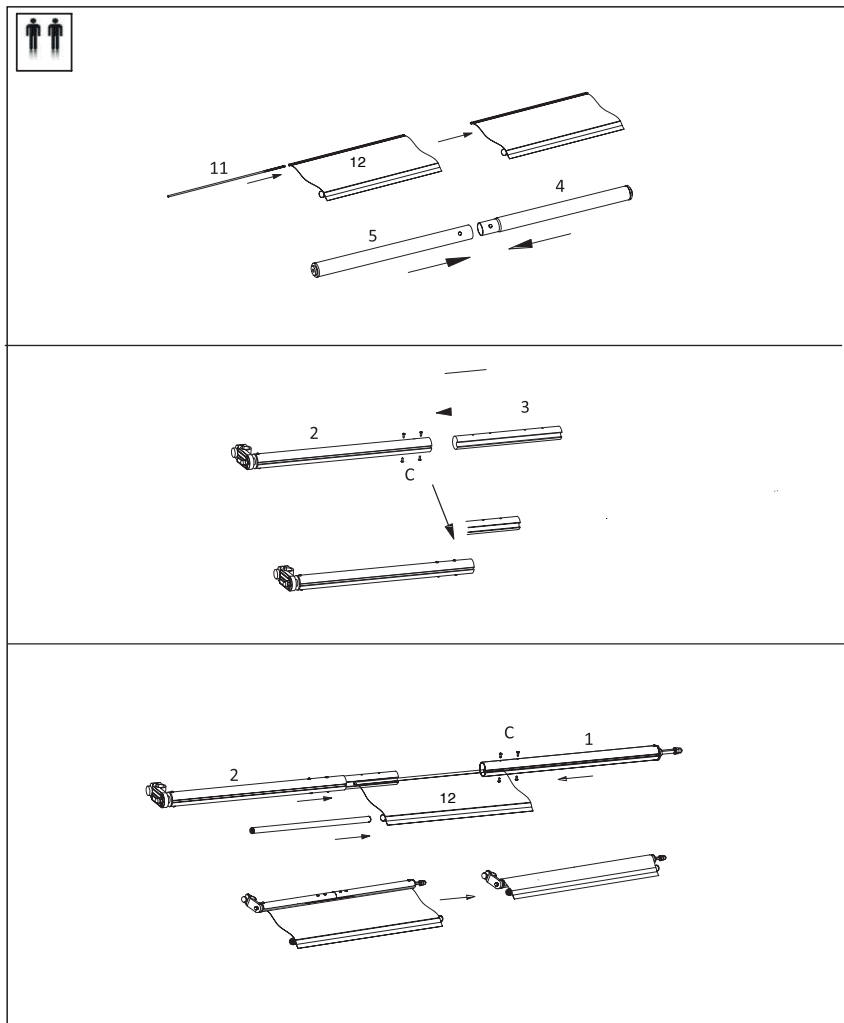
INSTRUCTION

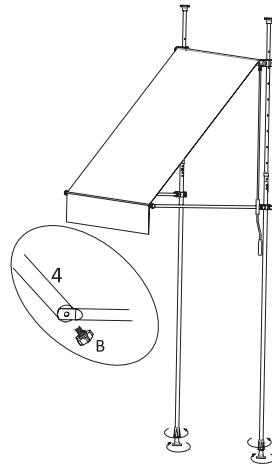
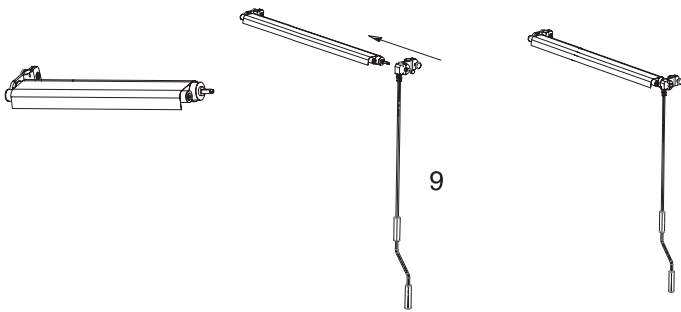
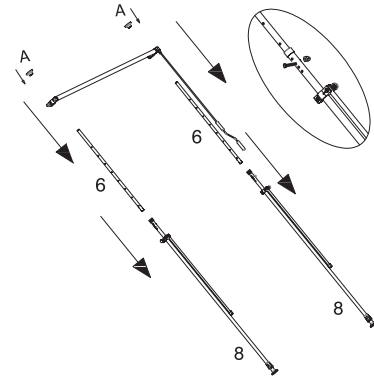
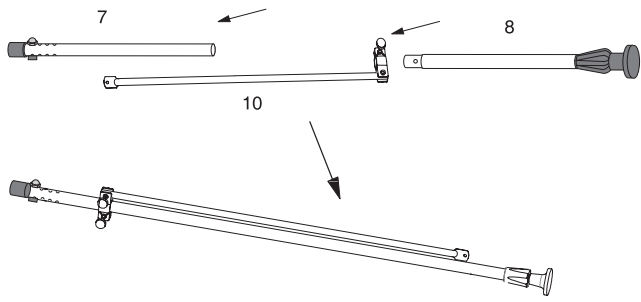
How to Assemble Awning:

1. Slide the rear awning rod(11) into the back of the awning cover (12).
2. Connect the front awning rod (5) and the other awning rod (4).
3. Connect (2)-(3) using C, then insert the awning cover (12) and join the side of the awning mechanism(1).
4. Assemble to the awning cover.

INSTRUCTION MANUAL

NO.	PARTS	SIZE	QTY
1			1PC
2			1PC
3			1PC
4			1PC
5			1PC
6			2PCS
7			2PCS
8			2PCS
9			1PC
10			2PCS
11			1PC
12			1PC
A			2PCS
B		M6x20	2PCS
C		ST3x10	8pcs





3

4

Assemble Mounting Rack :

1. Ensure center rods (7) and adjustment rods(10) are firmly connected and that the adjustment rods can move easily within their sockets.
2. Slide the lower rods (8) into the other end of the center rods (7).
3. Remove the long bolts from the center rods(7) and slide the upper rods (6) to the center rods.
4. Measure the height of the scene. Slide (6) to the correct distance to fit the height of your preferred awning brace, fasten the long bolts. Add pressure feet (A) to the top of each of the upper rods (6).
5. Remove the nut and gasket from tube (1), install the upper gear module(9), and reinstall the gasket and nut to secure.
6. Fit awning into desired space, with pressure feet placed flush with a hard surface on the bottom and the top feet aligned to meet a hard surface above when tightened.
7. Twist bottom feet to tighten and loosen the tension between both ends until the top pressure feet meet the top surface.
8. Both feet should be affixed against the surfaces until the awning is firmly positioned in the desired space.
9. Use short bolts (B) to attach the front of the awning(4)to the adjustment rods(10).