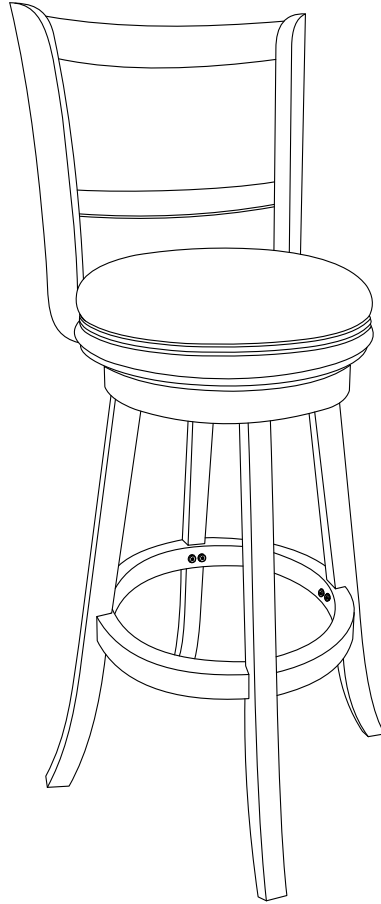
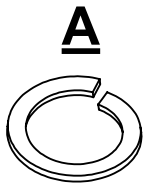


ASSEMBLY INSTRUCTIONS

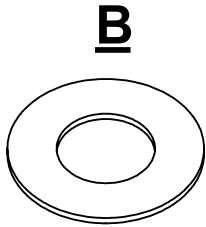
---

**SWIVEL EXTRA TALL STOOL**

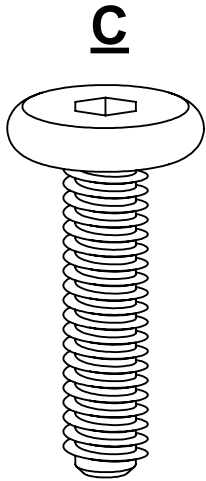




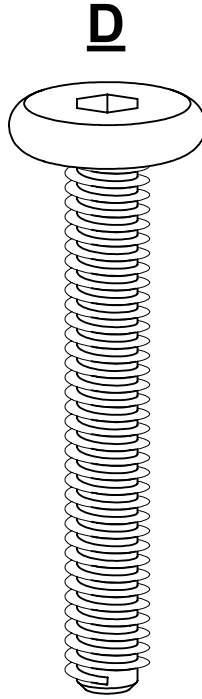
□ 6 □ □ □ □ □ □ □ □



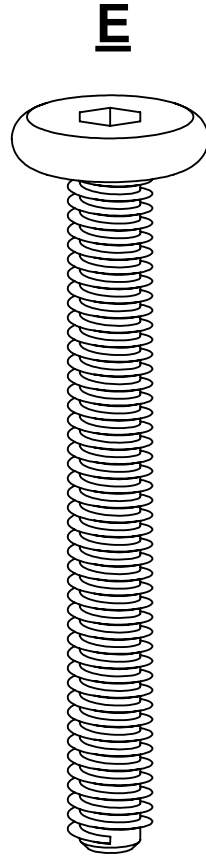
□ □ 6 □ □ 6 □ □ □ □ □ □



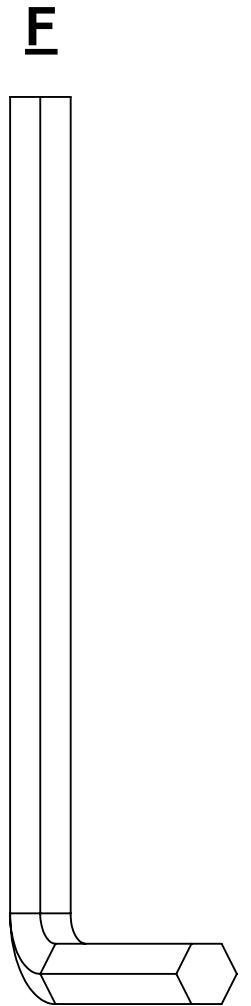
□ □ □ □ □ 6 □ □ 5 □ □ □ □ □ □



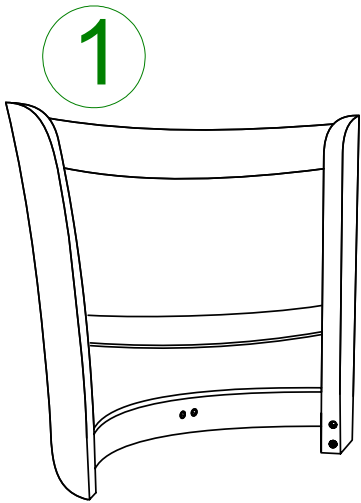
□ □ 6 □ □ □ □ □ □ □ □ □ □



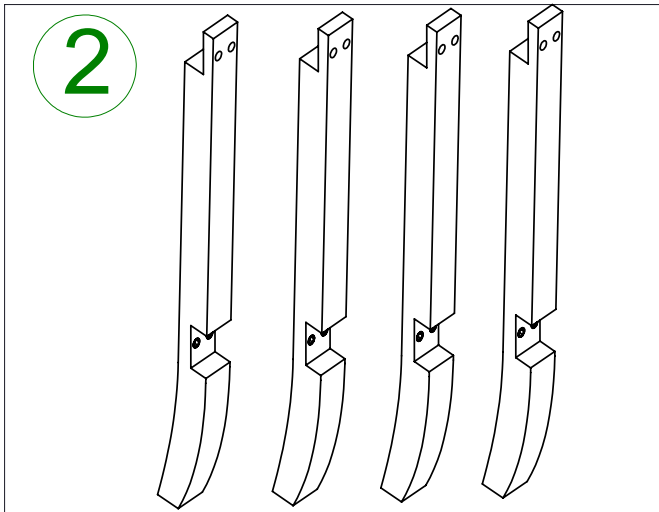
□ □ 6 □ □ 5 □ □ 6 □ □ □ □ □ □



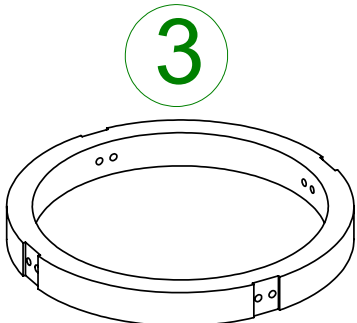
□ □ □ □ □ □ □ □ □ □ □ □ □ □ 1 PC



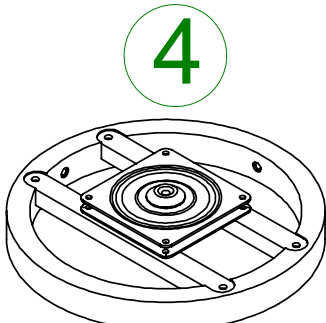
1



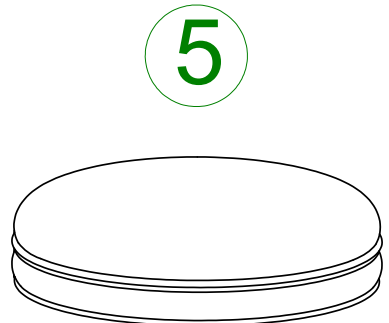
2



3

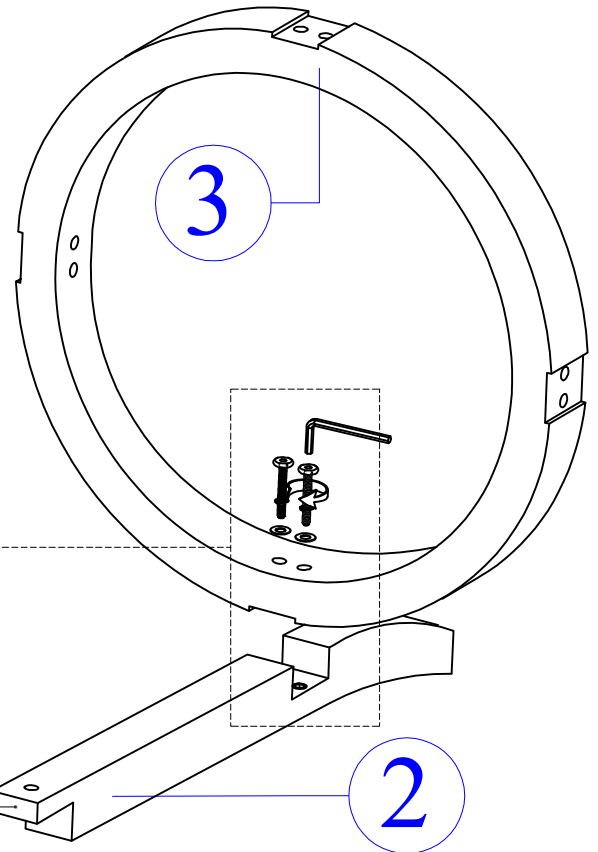
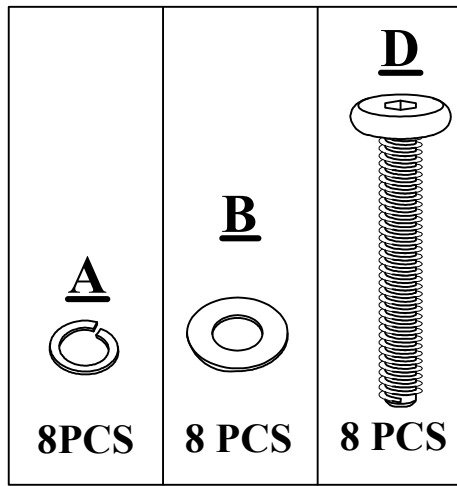
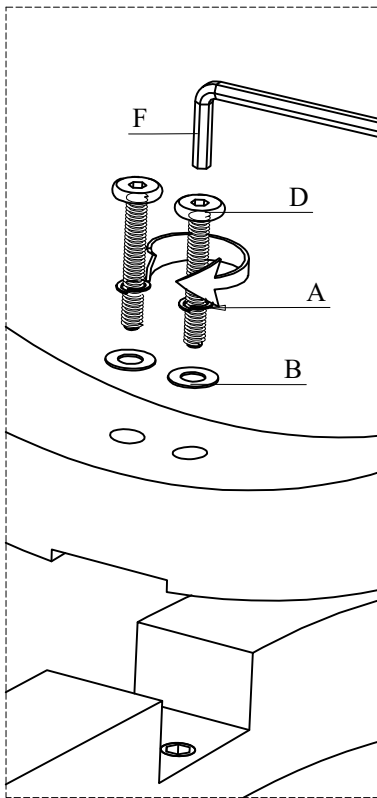


4



5

# 01

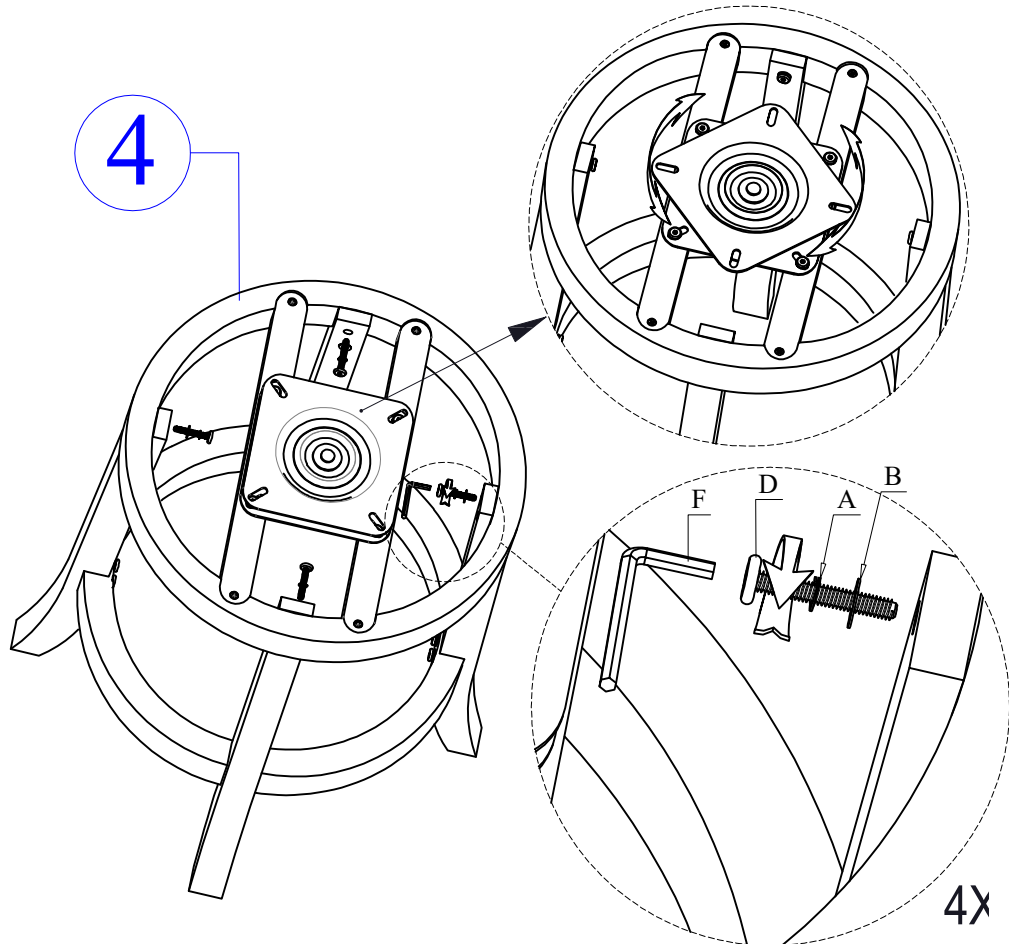
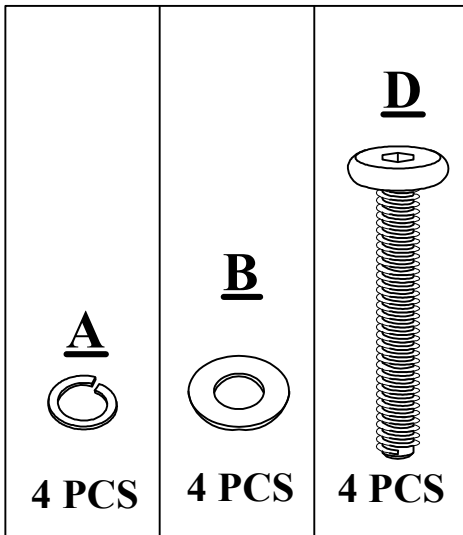


4X

DO NOT TIGHTEN BOLT COMPLETELY.

Please make sure that the protective metal kick plate from Footrest (Part #3) is facing upwards.  
Remove the white Tape from the protective metal kick plate before using.

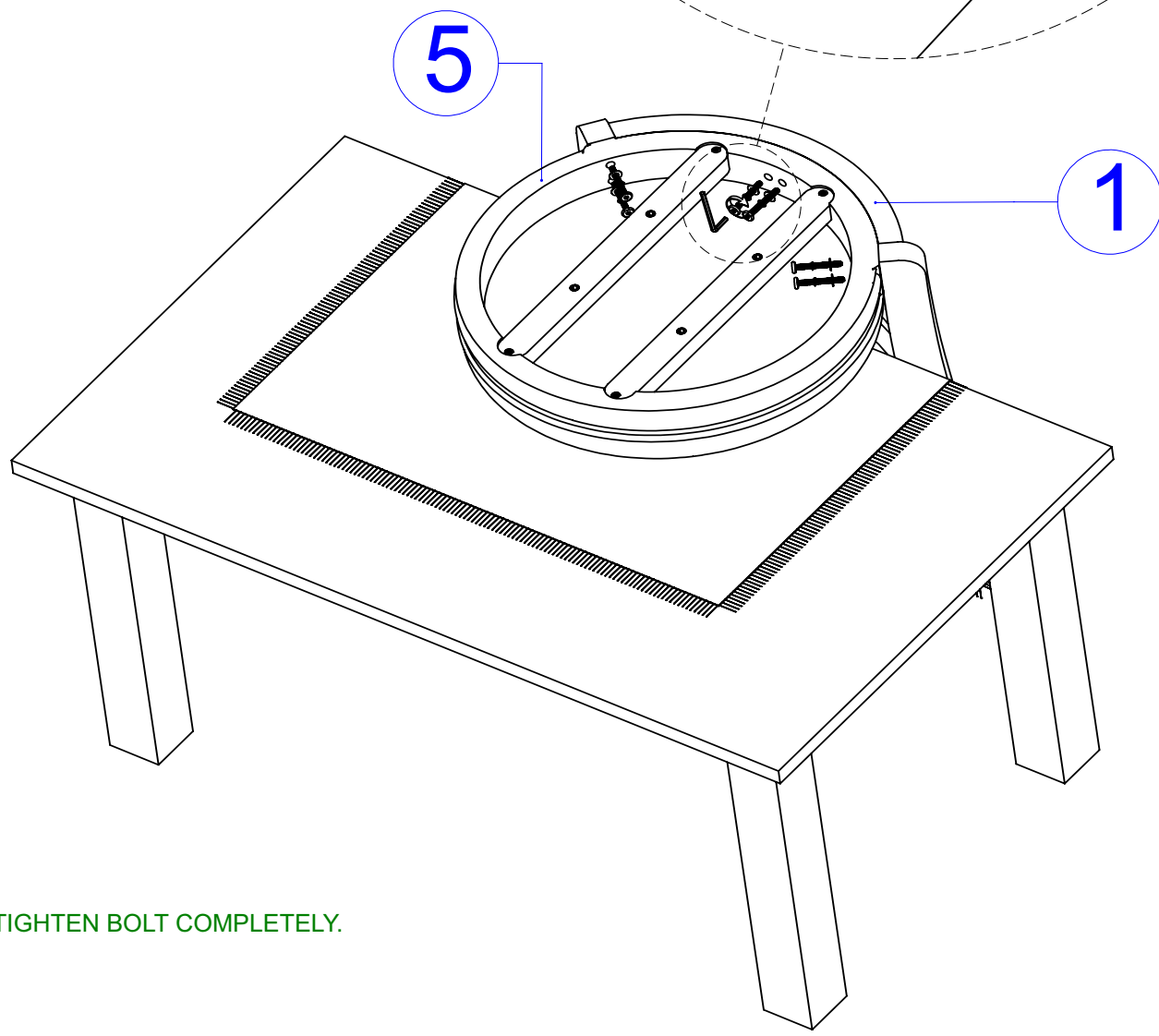
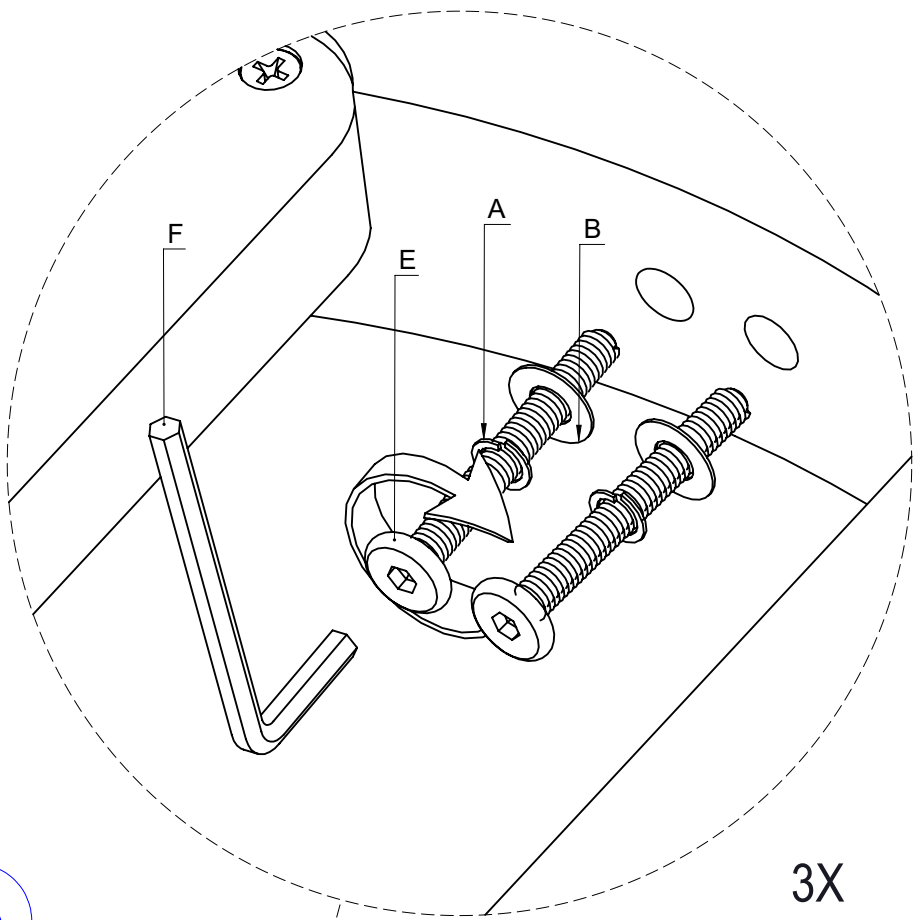
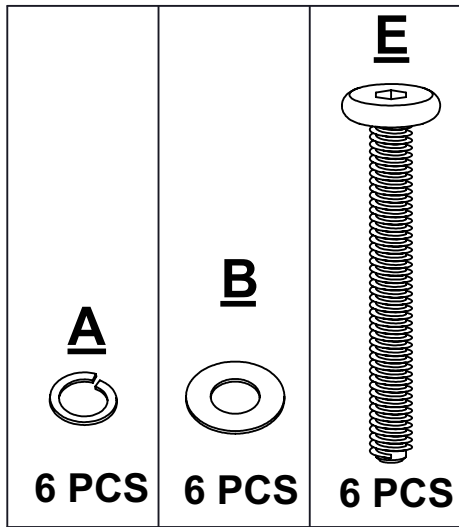
# 02



DO NOT TIGHTEN BOLT COMPLETELY.

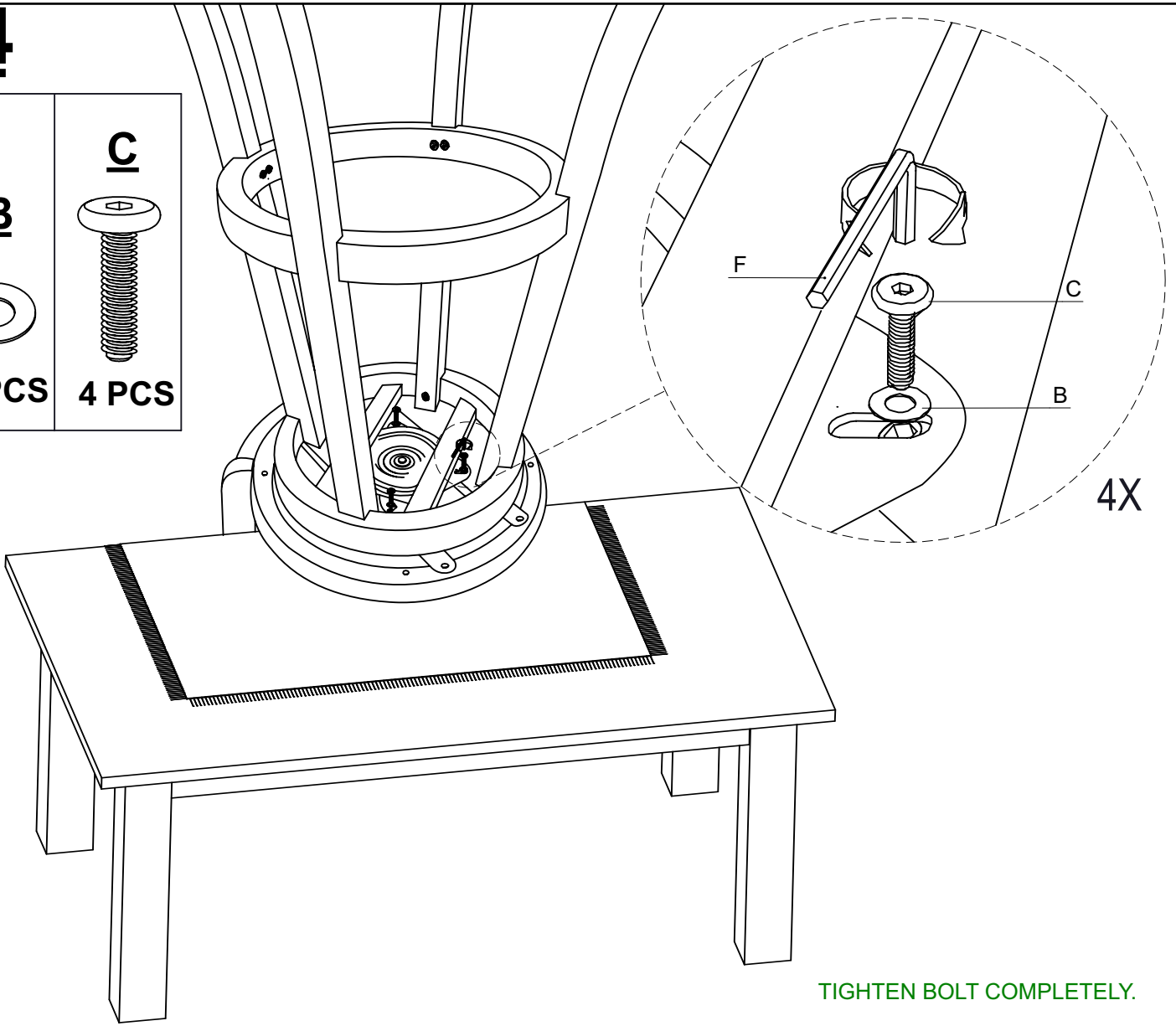
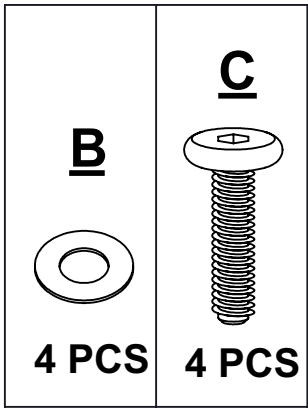
4X

# 03

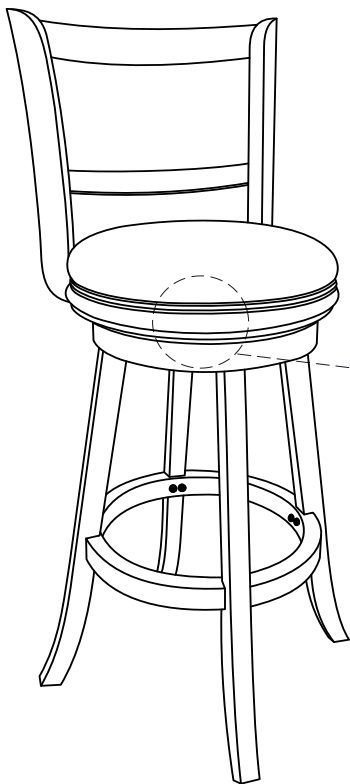


TIGHTEN BOLT COMPLETELY.

# 04



TIGHTEN BOLT COMPLETELY.



BE SURE TO CHECK ALL BOLTS ARE SECURELY TIGHTENED PRIOR USING THIS STOOL.