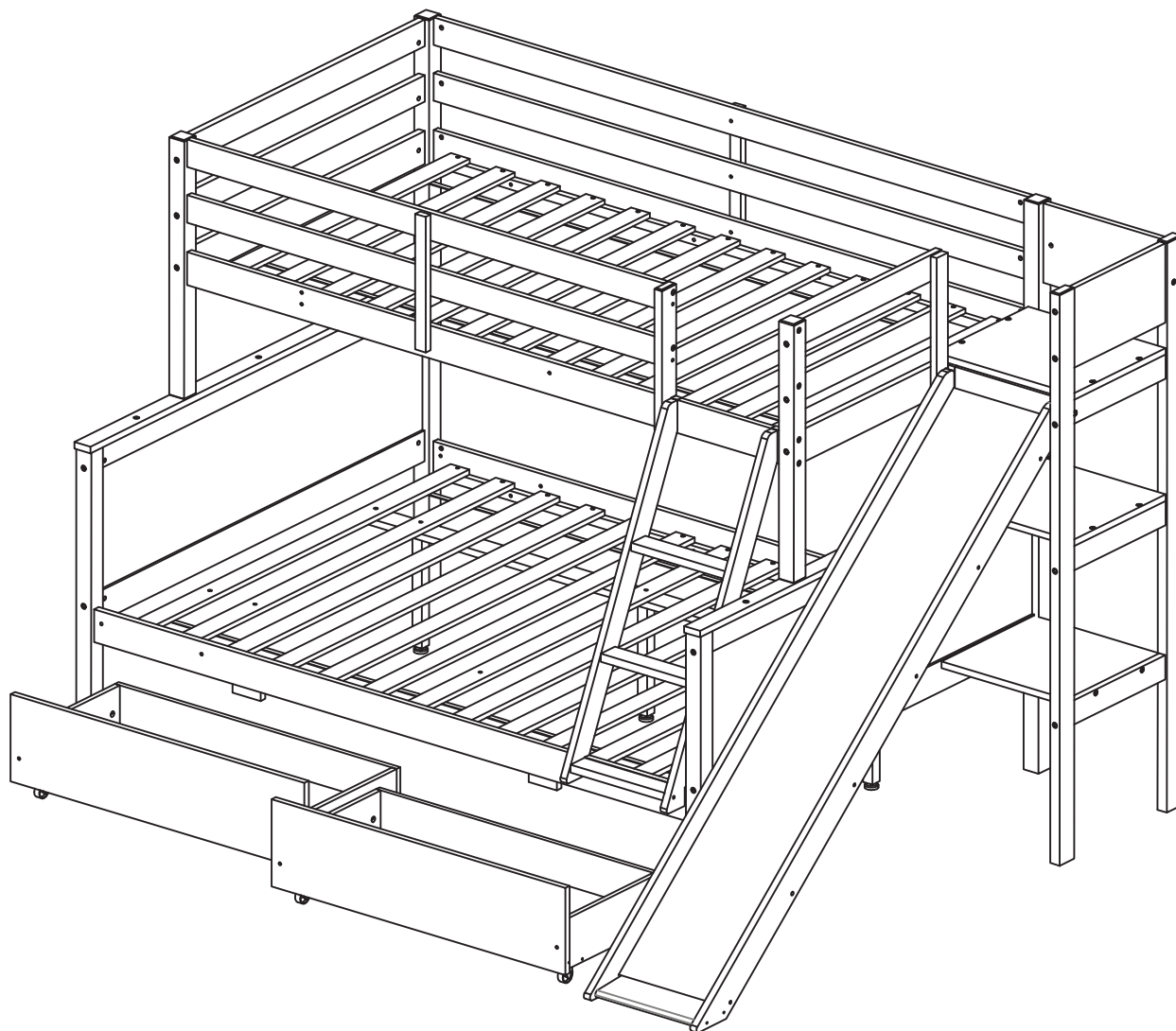


ASSEMBLY INSTRUCTIONS

TWIN FULL BUNK WITH SLIDE DRAWER



MK 11736



SAFETY WARNING



1. This bed is designed for use only mattress (es) meeting the following specifications on the upper bunk, and lower bunk:

Down bed

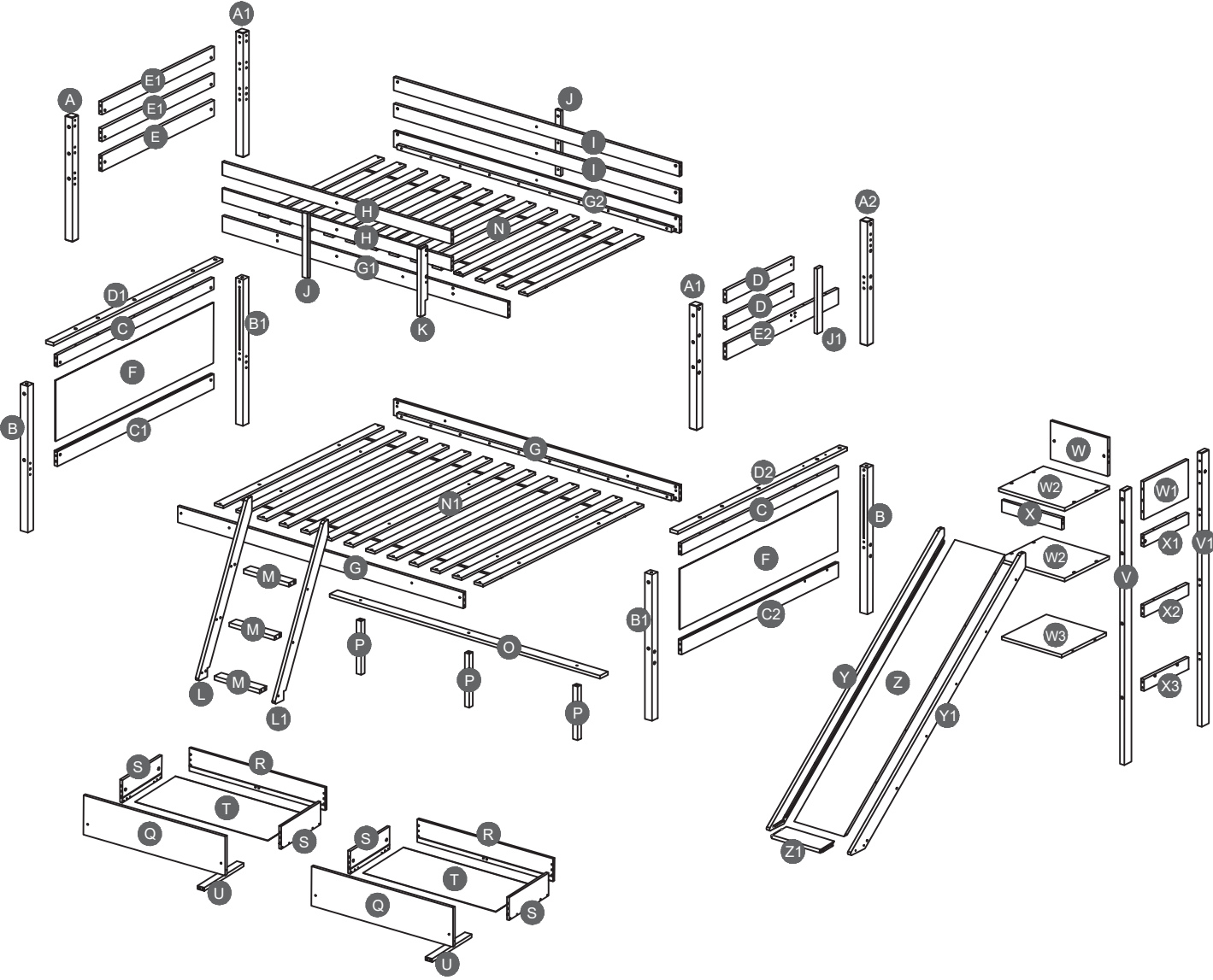
Bed type	Length	With	Thickness
Full Standard	74"-75"	54"	6" max

Up bed (Bunk bed and tribed included)


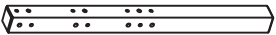



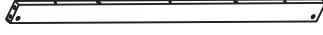


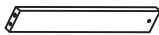



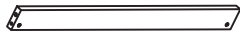

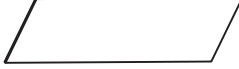



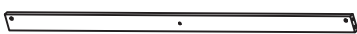
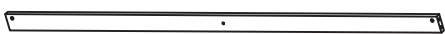
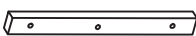


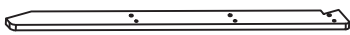
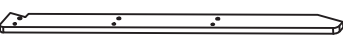


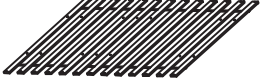

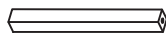
Bed type	Length	With	Thickness
Twin Standard	74"-75"	38 1/2"	6" max

2. Replacement parts, including additional guardrails, maybe obtained from any of our dealers of GigaCloud Technology, (USA) / 18961 ARENTH AVENUE, CITY OF INDUSTRY,CA,91748 .
3. Follow the information on the warnings appearing on the upper bunk bed end structure and on the carton. Do not remove warning label from bed.
4. Always use the recommended size mattresses or mattress supports, or both, to help prevent the likelihood of entrapment or falls.
5. Surface of mattress must be at least 5" (127mm) below the upper edge of guardrails.
6. Do not allow children under 6 years of age to use the upper bunk.
7. Periodically check and ensure that the guardrail, ladder, and other components are in their proper position, free from damage, and that all connectors are tight.
8. Do not allow horseplay on or under the bed and prohibit jumping on the bed.
9. Always use the ladder for entering and leaving the upper bunk.
10. Do not use substitute part. Contact the manufacture or dealer for replacement part.
11. Use of a night light may provide added safety precaution for a child using the upper bunk.
12. Always use guardrails on both long sides of the upper bunk. If the bunk bed will be placed next to the wall, the guardrail that runs the full length of the bed should be placed against the wall to prevent entrapment between the bed and wall.
13. The use of water or sleep flotation mattresses is prohibited.
14. STRANGULATION HAZARD - Never attach or hang items to any part of the bunk bed that are not designed for use with the bed; for example, but not limited to, hook, belts and jump ropes.
15. Keep these instruction for future reference.



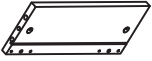
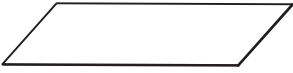
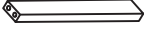

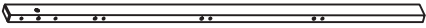



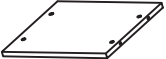



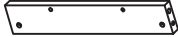




Detail View



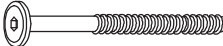
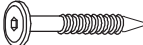

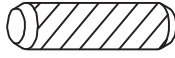
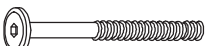

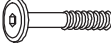

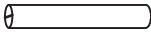


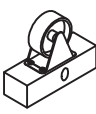
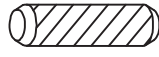




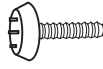


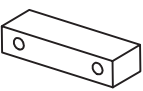
Part List

A  Upper Leg - 1pc	A1  Upper Leg - 2pcs	A2  Upper Leg - 1pc
B  Lower Leg - 2pcs	B1  Lower Leg - 2pcs	C  Mid. Panel Left & Right (Lower) - 2pcs
C1  Bottom Panel Left (Lower) - 1pc	C2  Bottom Panel Right (Lower) - 1pc	D  Top Panel Right (Upper) - 2pcs
D1  Top Panel Left (Lower) - 1pc	D2  Top Panel Right (Lower) - 1pc	E  Bottom Panel Left (Upper) - 1pc
E1  Top Panel Left (Upper) - 2pcs	E2  Bottom Panel Right (Upper) - 1pc	F  Panel (Lower) - 2pcs
G  Side Rail Lower (Front & Back) - 2pcs	G1  Side Rail Upper (Front) - 1pc	G2  Side Rail Upper (Back) - 1pc
H  Guardrail Upper (Front) - 2pcs	I  Guardrail Upper (Back) - 2pcs	J  Guardrail Spindle - 2pcs
J1  Hb. Spindle - 1pc	K  Guardrail Spindle Support - 1pc	L  Ladder Rail Left - 1pc
L1  Ladder Rail Right - 1pc	M  Ladder Step - 3pcs	N  Bed Slats (Upper) - 1Set
N1  Bed Slats (Lower) - 1Set	O  Center Rail - 1pc	P  Support Leg - 3pcs

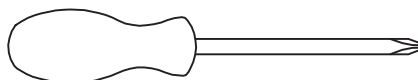
Part List

Q  Front Panel (Storage) - 2pcs	R  Back Panel (Storage) - 2pcs	S  Side Panel (Storage) - 4pcs
T  Bottom Panel (Storage) - 2pcs	U  Bottom Support Panel (Storage) - 2pcs	
V  Slide Leg (Front) - 1pc	V1  Slide Leg (Back) - 1pc	W  Back Panel - 1pc
W1  Side Panel - 1pc	W2  Top Panel - 2pcs	W3  Bottom Panel - 1pc
X  Front Panel - 1pc	X1  Top Side Panel - 1pc	X2  Mid. Side Panel - 1pc
X3  Bottom Side Panel - 1pc	Y  Slide Side Panel (Left) - 1pc	Y1  Slide Side Panel (Right) - 1pc
Z  Slide Bottom Panel - 1pc	Z1  Slide End Panel - 1pc	

Hardware List

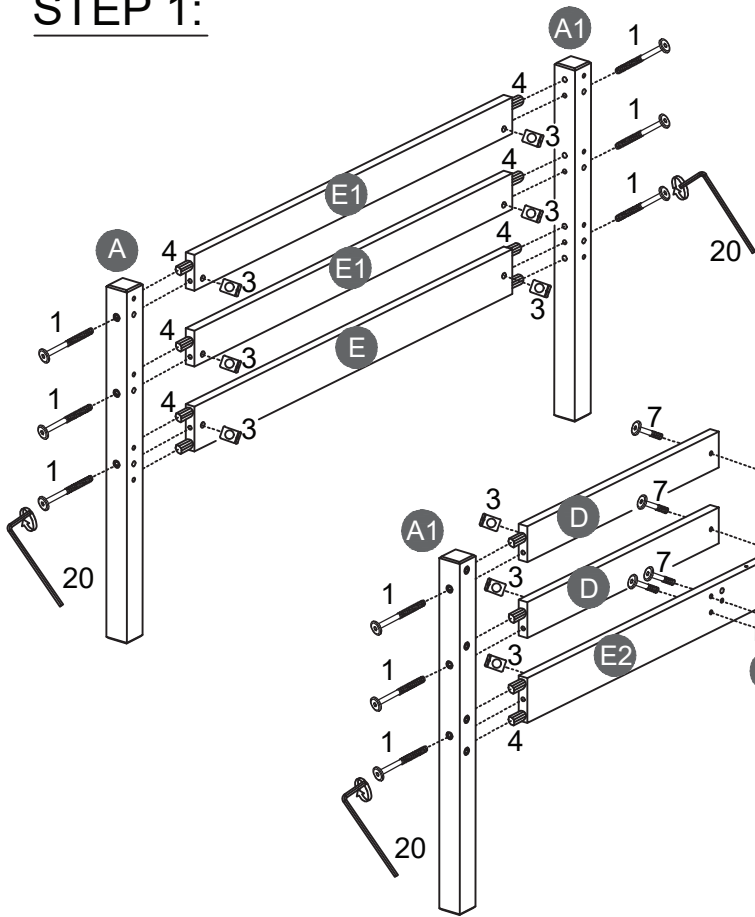
1	 M6 x 90mm JCBC (41pcs)	2	 M6 x 50mm JCBC-W (38pcs)	3	 M6 x 15mm Barrel Nut (60pcs)
4	 M10 x 30mm Wood Dowel (58pcs)	5	 M6 x 60mm JCBC (20pcs)	6	 M4 x 25mm CSK Screw (46pcs)
7	 M6 x 30mm JCBC (10pcs)	8	 M6 x 30mm JCBC-W (10pcs)	9	 M10 x 100mm Metal Pin (4pcs)
10	 Ladder Hook (2pcs)	11	 Sticker Cap (19pcs)	12	 Caster (8pcs)
13	 M8 x 30mm Wood Dowel (32pcs)	14	 M4 x 32mm CSK Screw (20pcs)	15	 M4 x 16mm CSK Screw (12pcs)
16	 M6 x 13mm Barrel Nut (8pcs)	17	 M6 x 100mm JCBC (10pcs)	18	 Adjustable Screw (3pcs)
19	 Slide Hook (2pcs)	20	 M4 Allen Key (1pc)	21	 90x35x19 Storage Stopper (2pcs)

ASSEMBLY TOOLS REQUIRED (NOT INCLUDED)

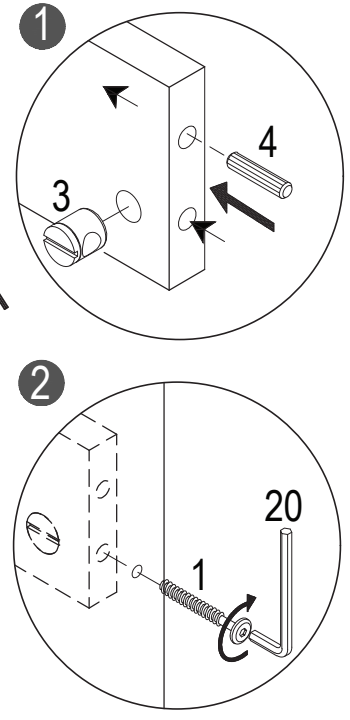


PLEASE BE CAREFUL DO NOT DAMAGE THE HOLE POSITION WHEN YOU USE POWER TOOLS !

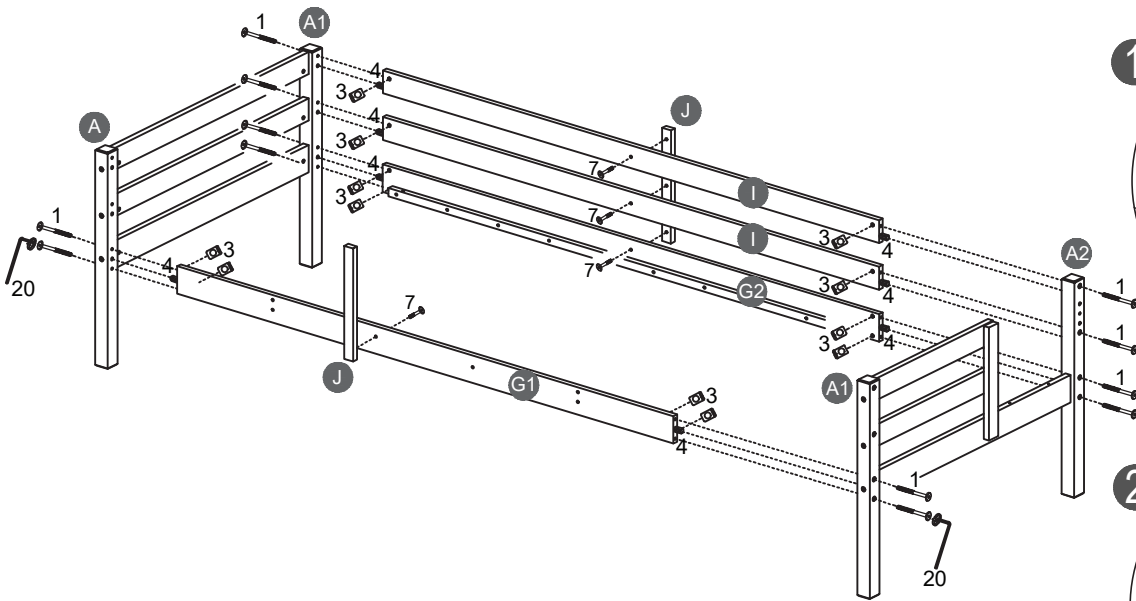
STEP 1:



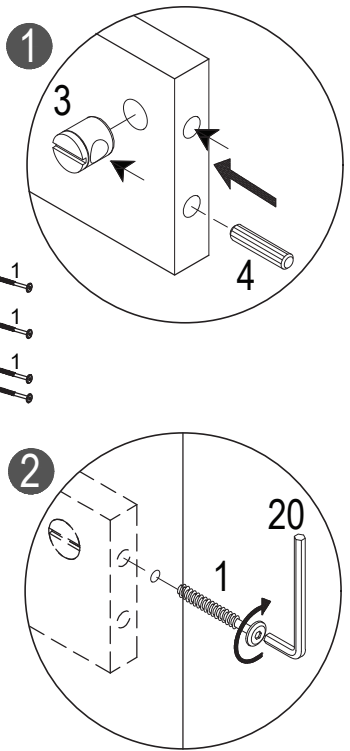
1		3		4		7	
10PCS		10PCS		14PCS		4PCS	







STEP 2:

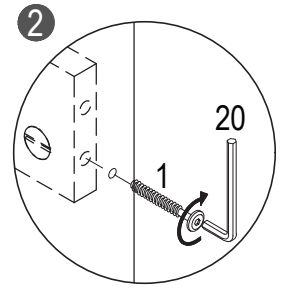
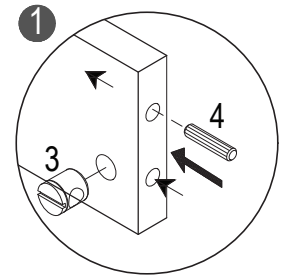
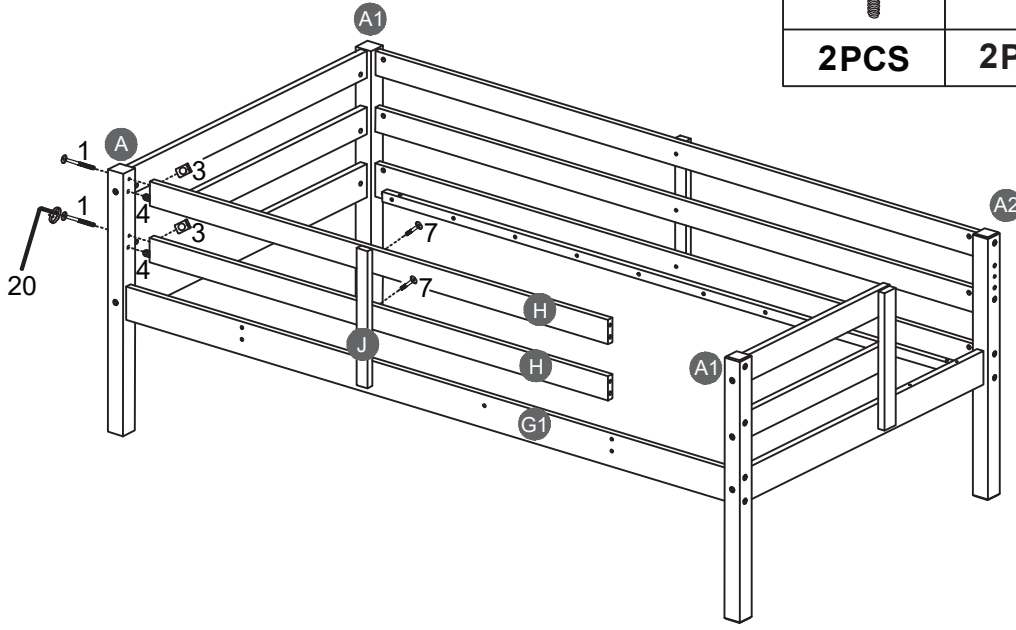


1		3		4		7	
12PCS		12PCS		8PCS		4PCS	







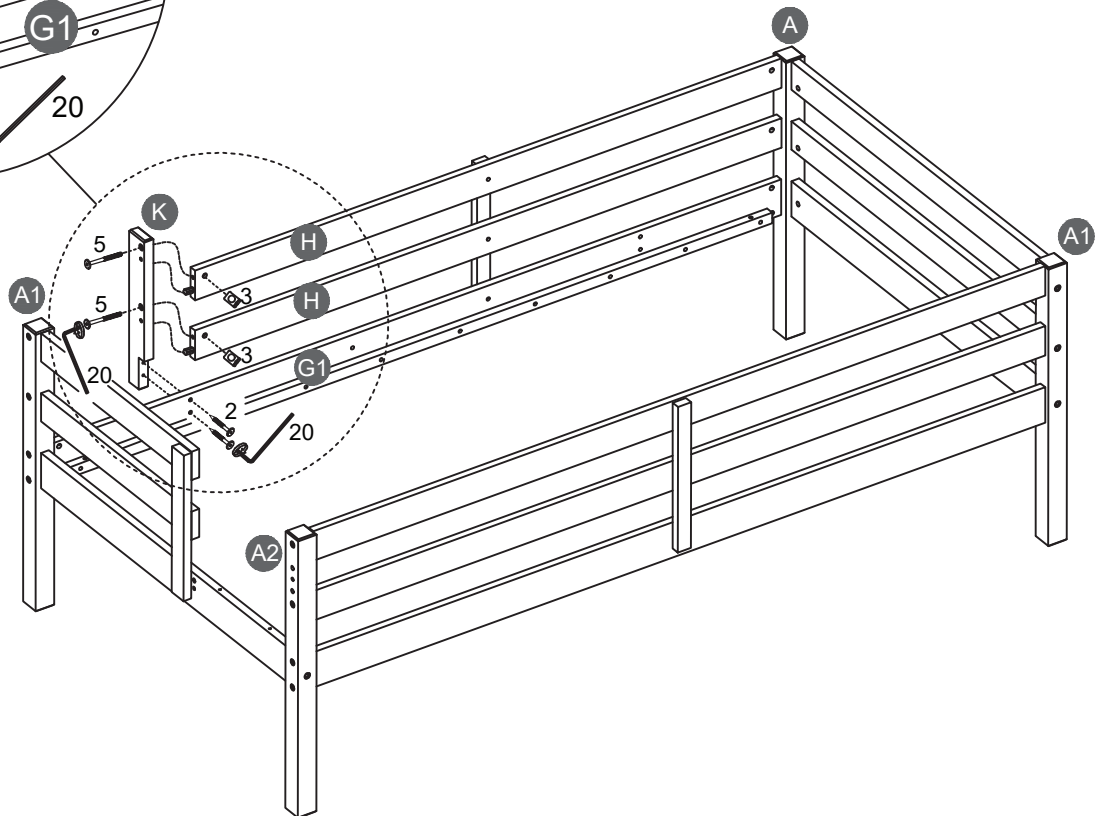
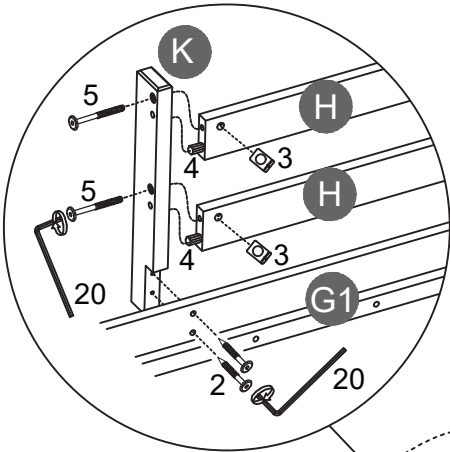
STEP 3:

1		3		4		7	
2PCS		2PCS		2PCS		2PCS	

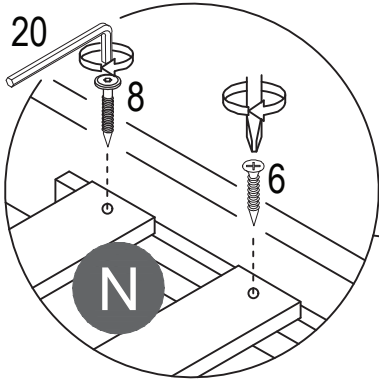


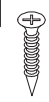

STEP 4:

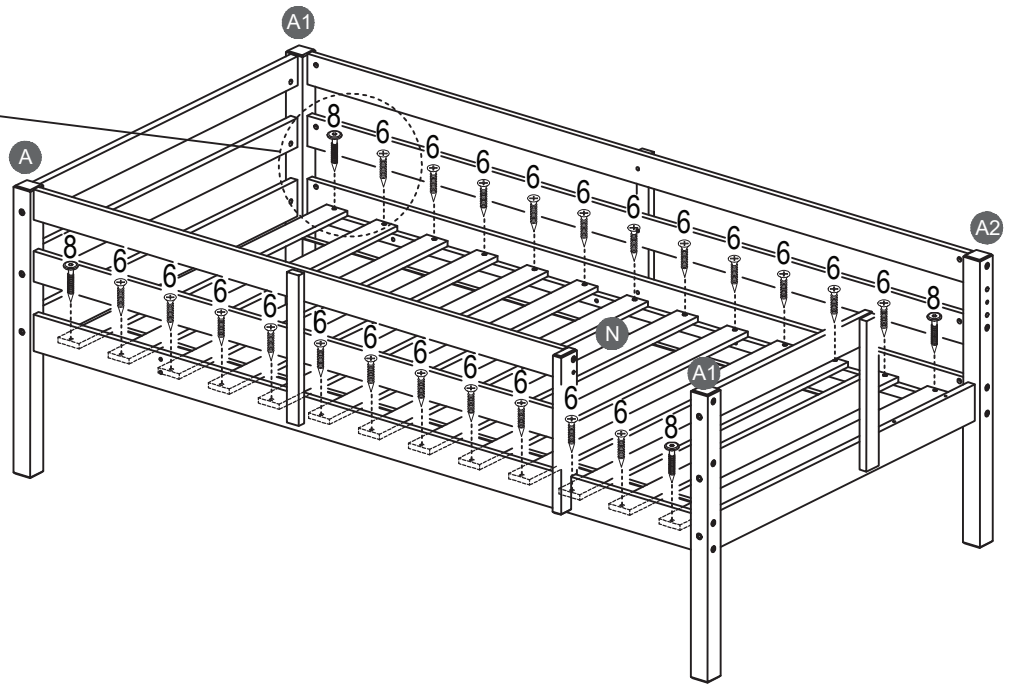
2		3		4		5	
2PCS		2PCS		2PCS		2PCS	



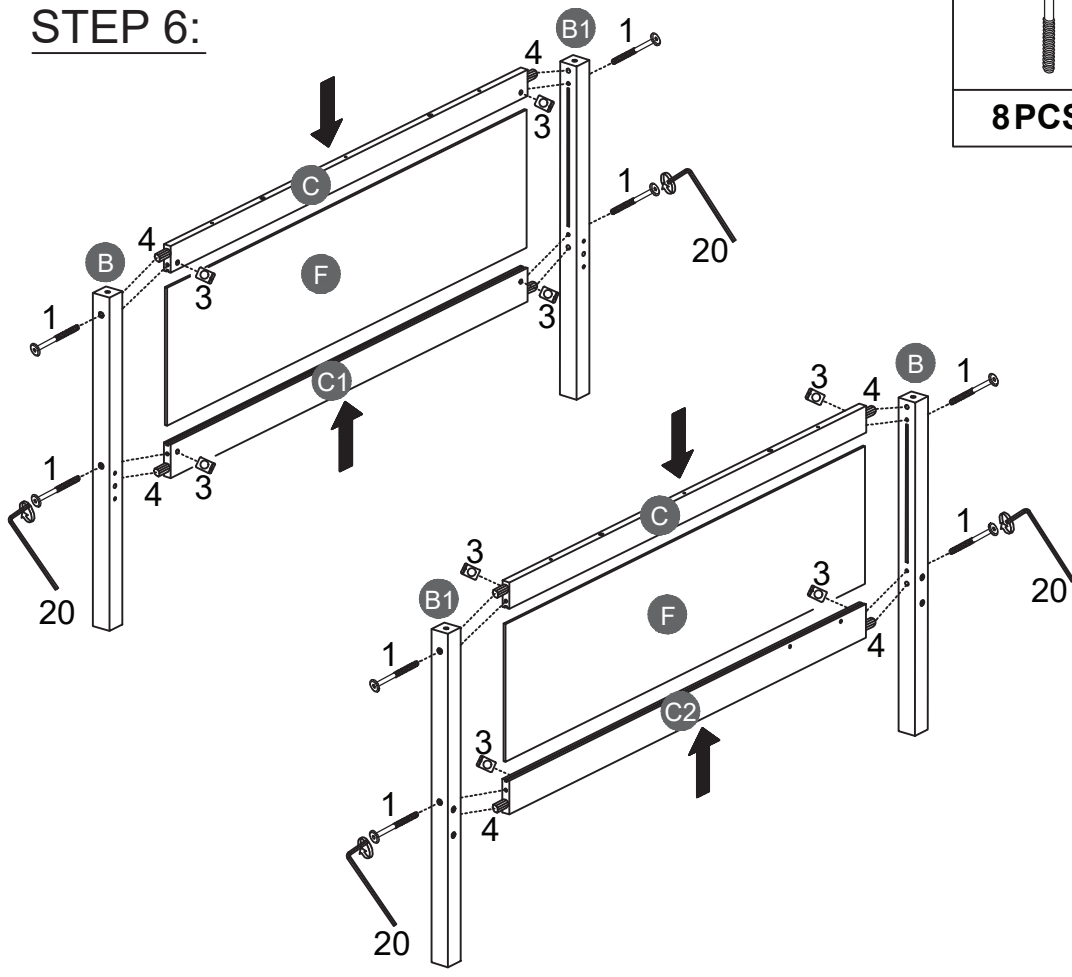
STEP 5:



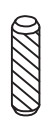


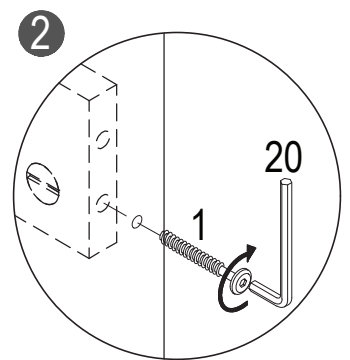
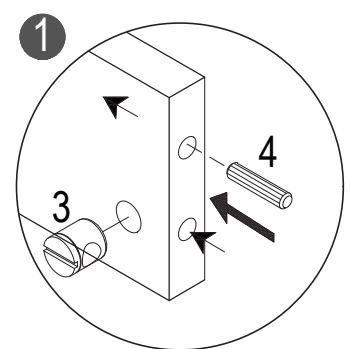
6		8	
22PCS		4PCS	





STEP 6:

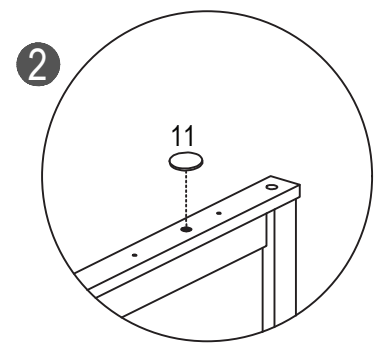
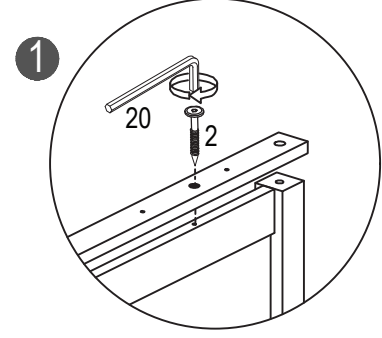
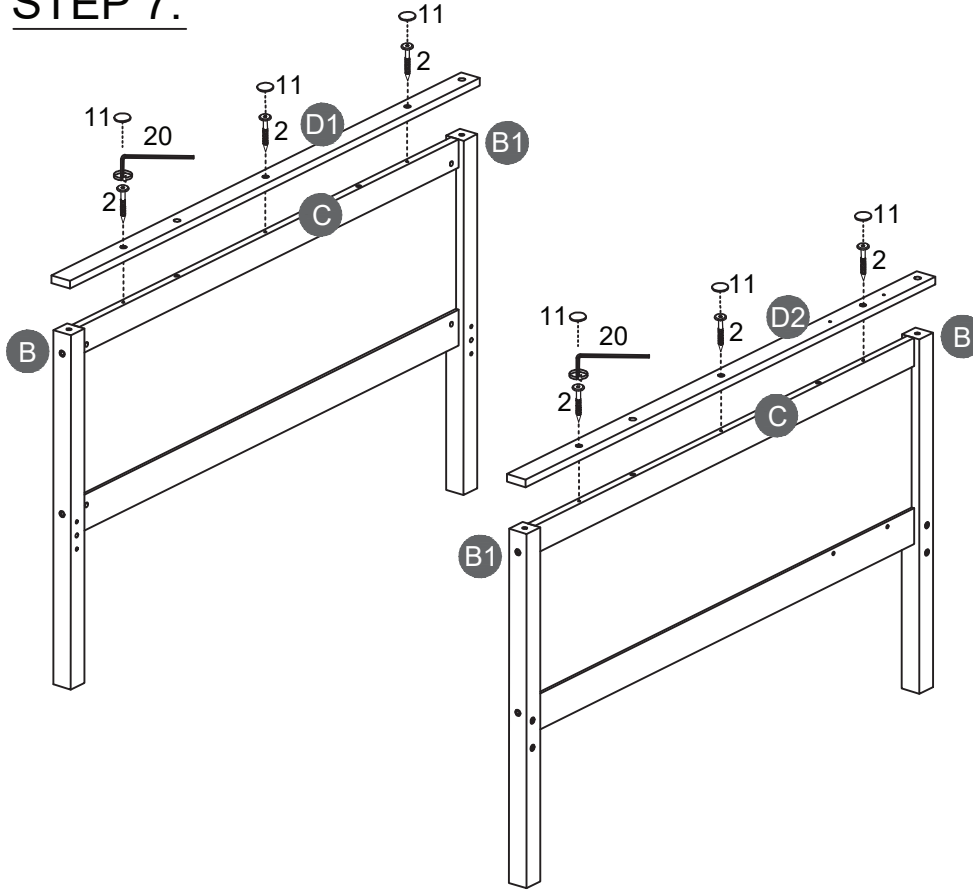


1		3		4	
8PCS		8PCS		8PCS	


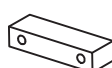


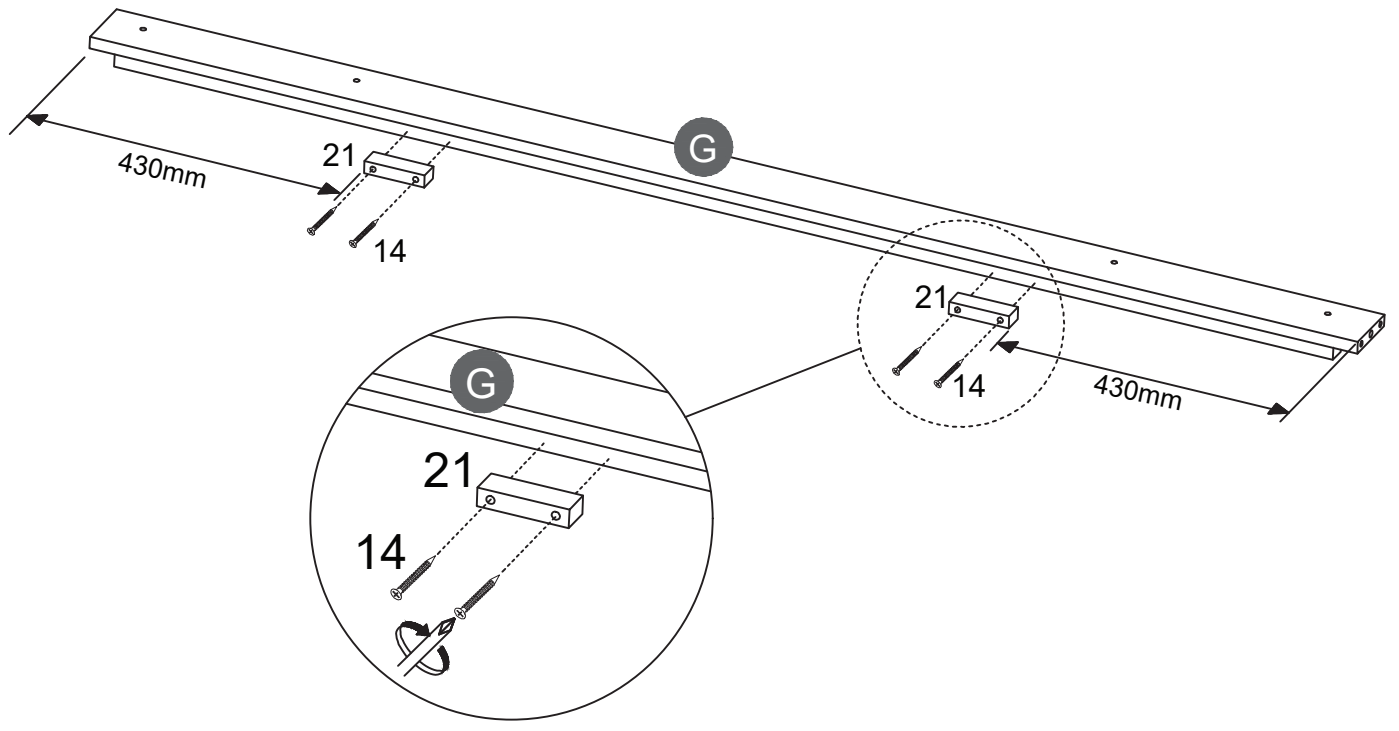
STEP 7:

2		11	
6PCS		6PCS	






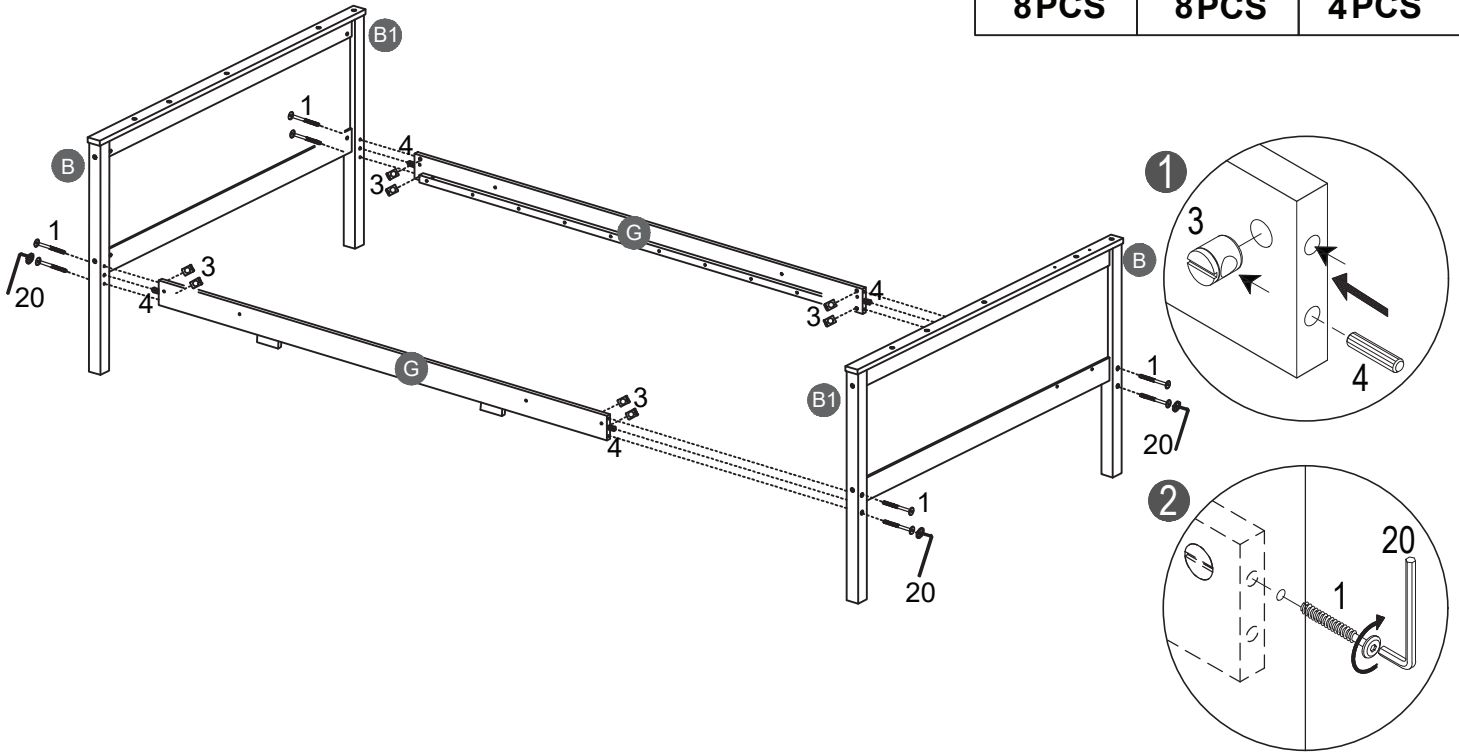
STEP 8:

14		21	
4 PCS		2 PCS	







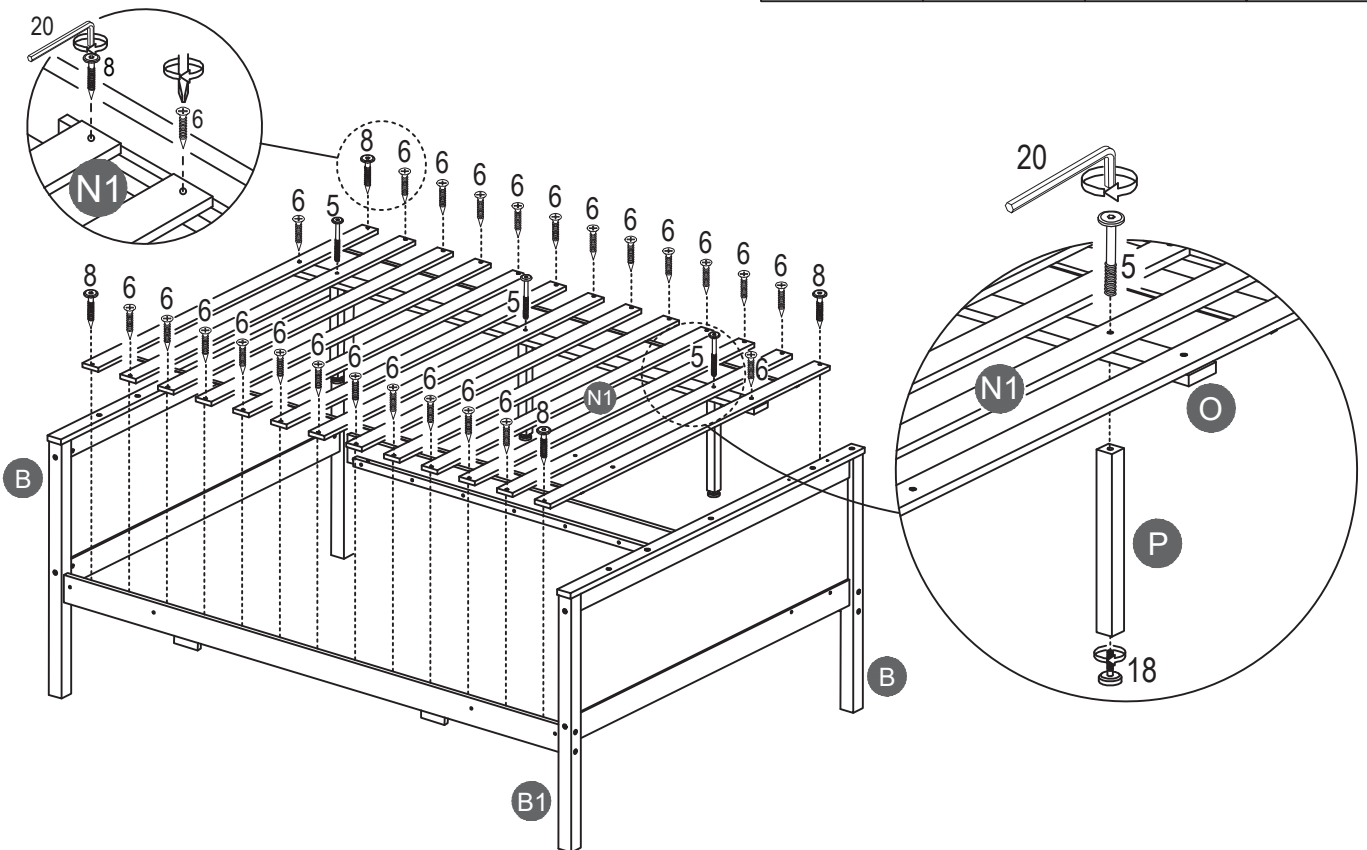
STEP 9:

1		3		4	
8PCS		8PCS		4PCS	

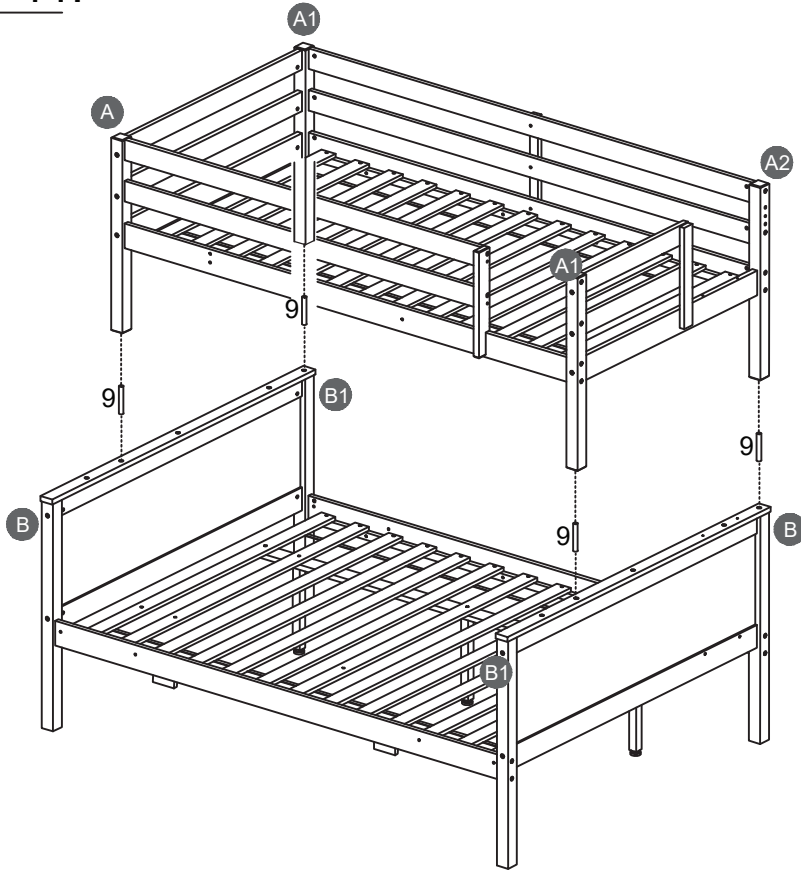


STEP 10:

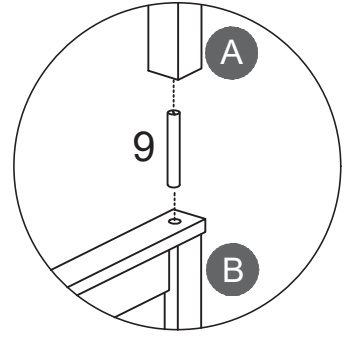
6		8		5		18	
24PCS		4PCS		3PCS		3PCS	



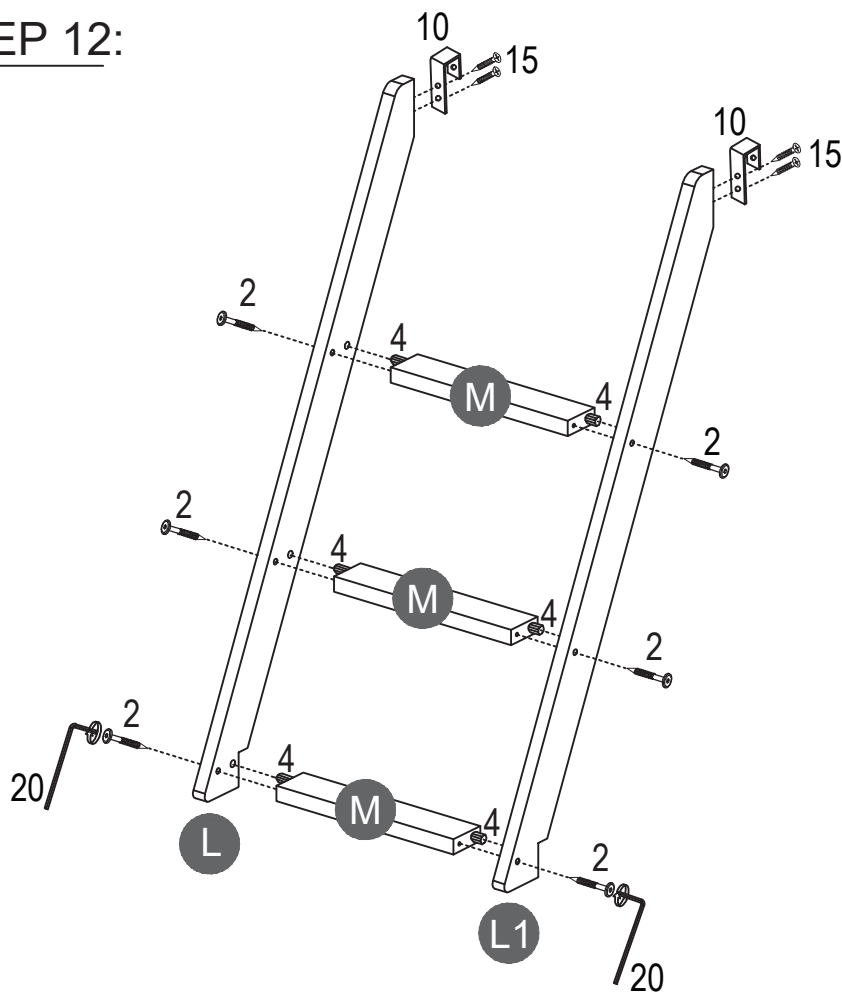
STEP 11:







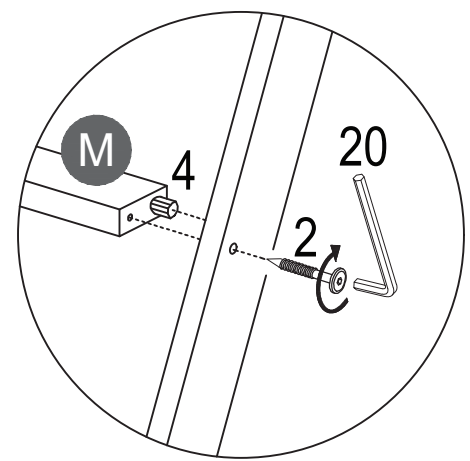
9	
4PCS	



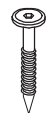

STEP 12:

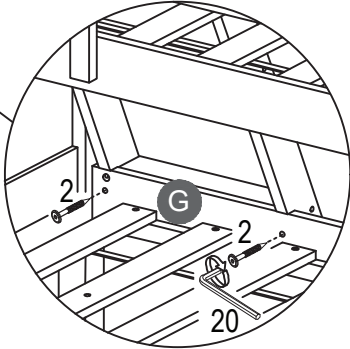
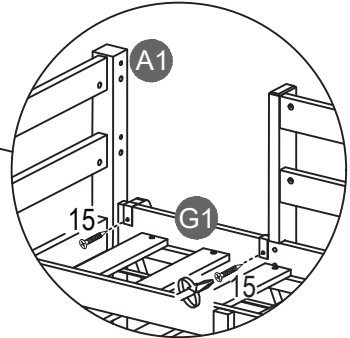
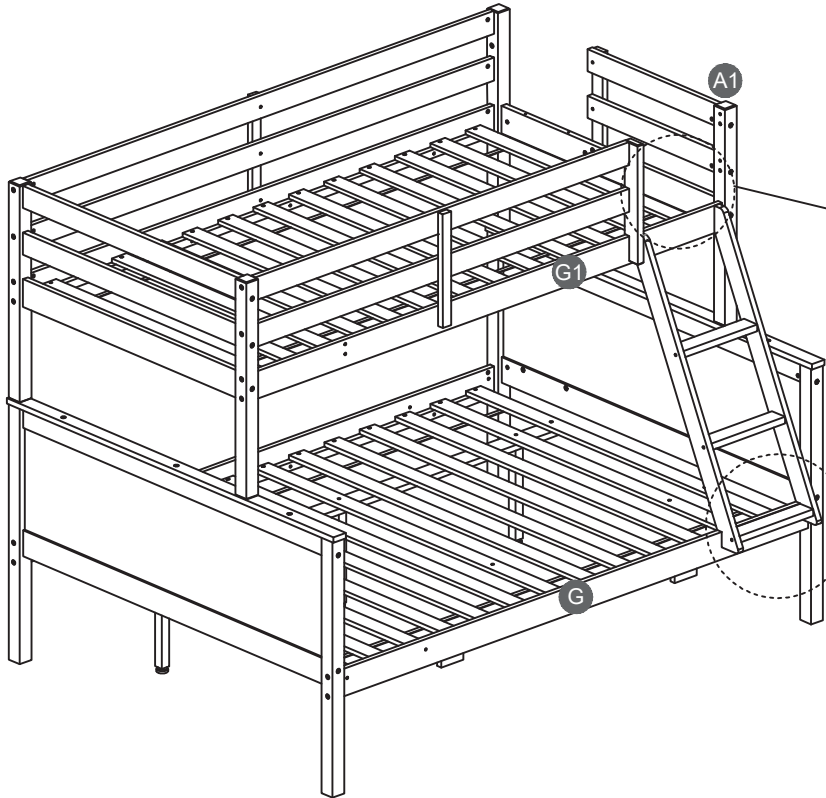


2		4	
6PCS		6PCS	
10		15	
2PCS		4PCS	




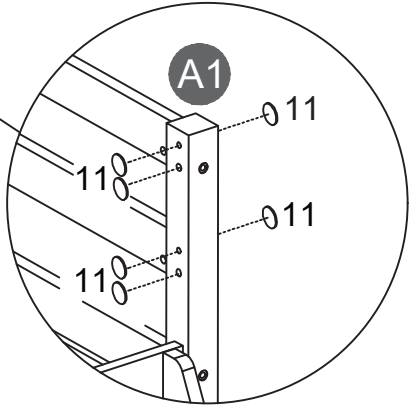
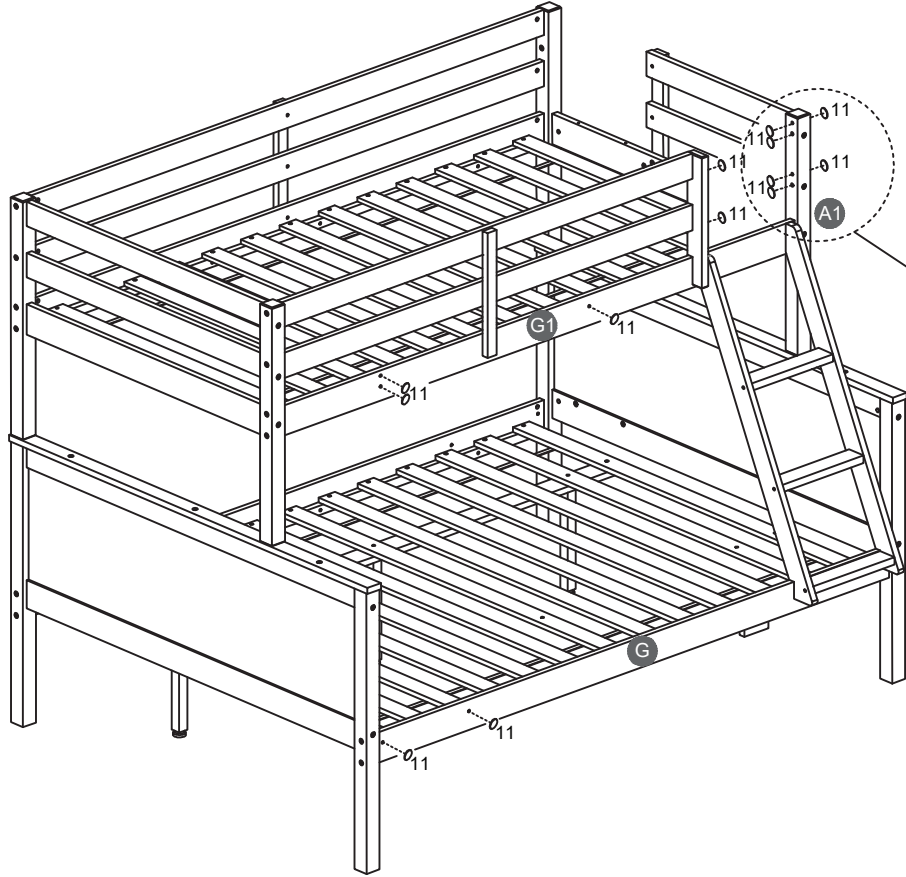
STEP 13:

2		15	
2PCS		2PCS	

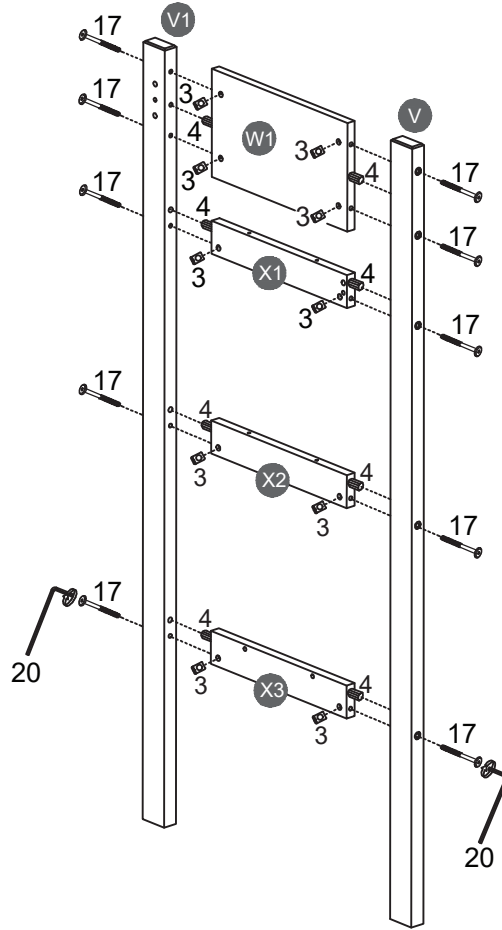


STEP 14:

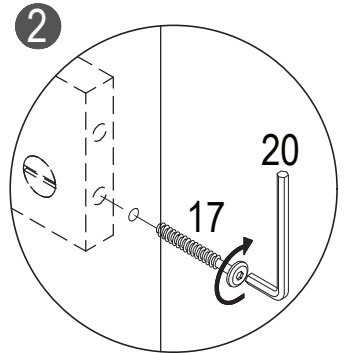
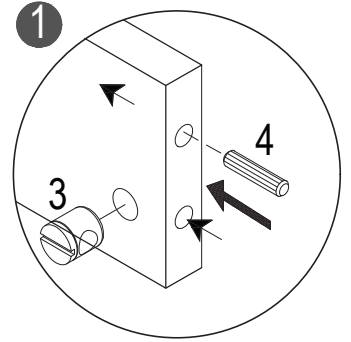
11	
13PCS	



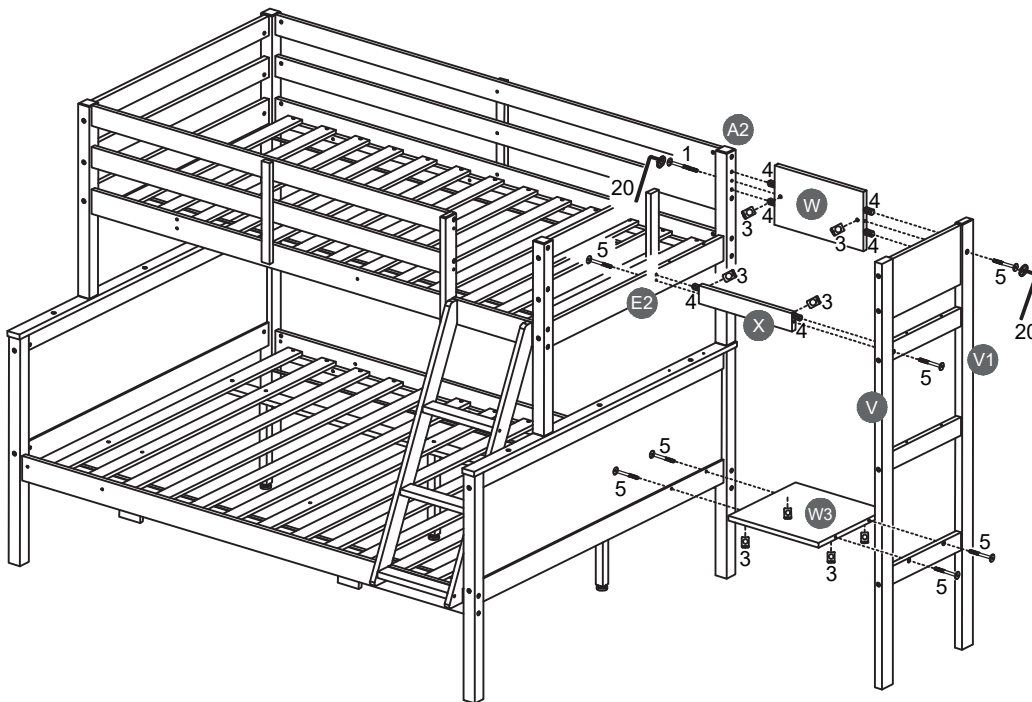
STEP 15:



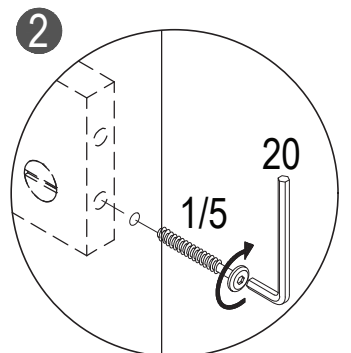
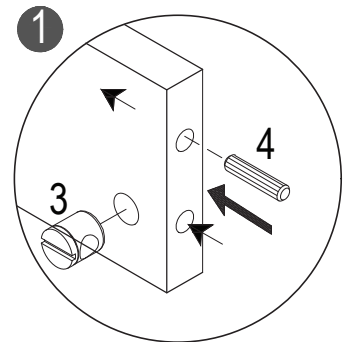
3	4	17
10PCS	8PCS	10PCS



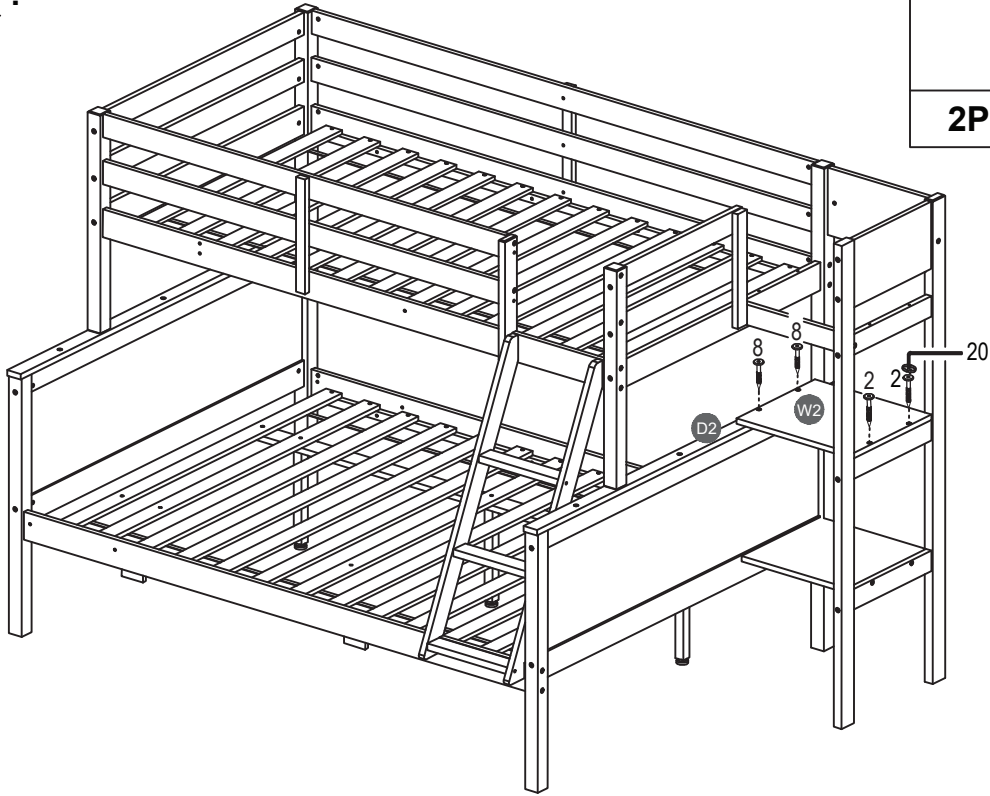
STEP 16:





1	3	4	5
1PC	8PCS	6PCS	7PCS

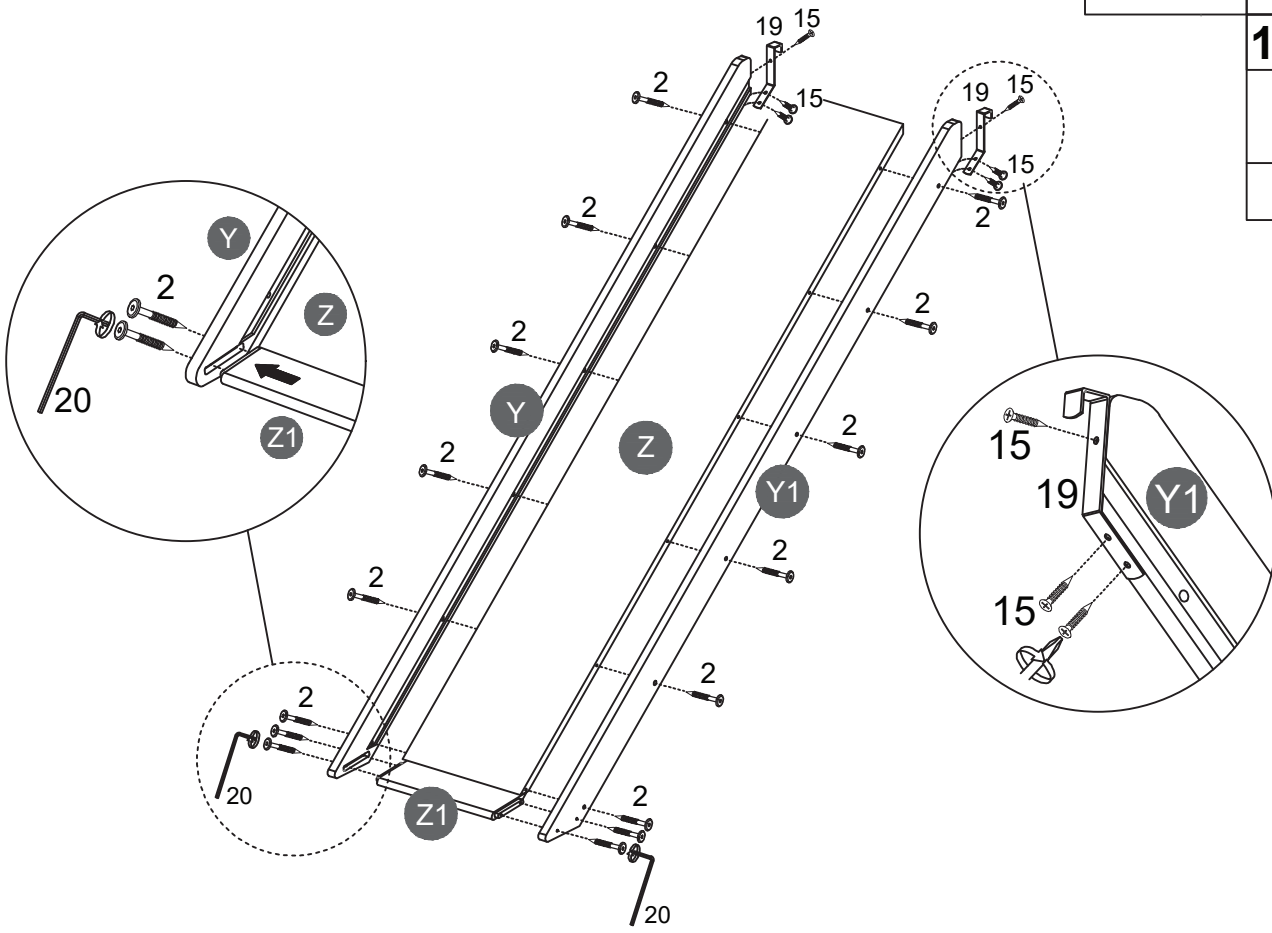




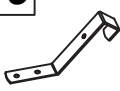
STEP 17:



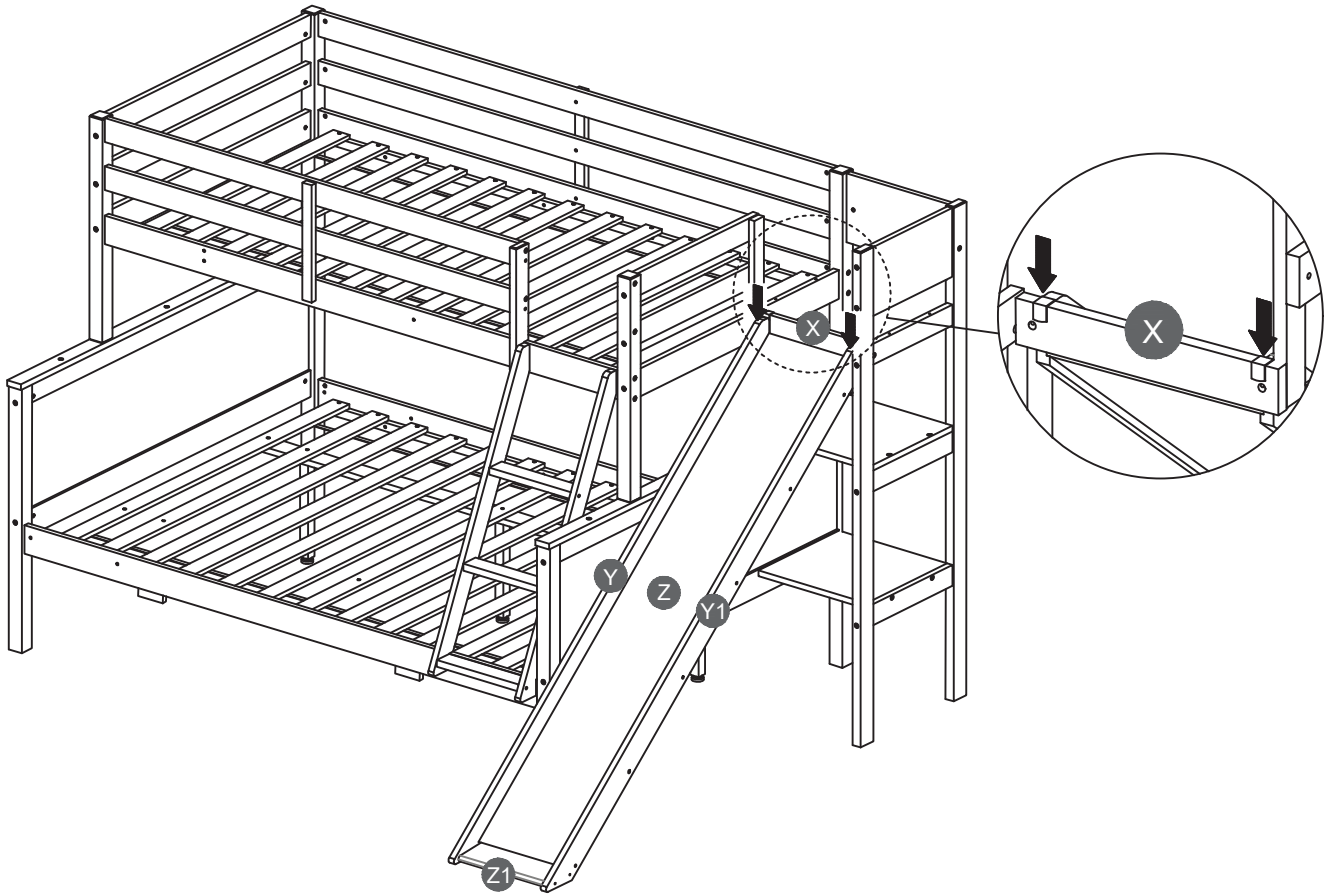
2		8	
2PCS		2PCS	

STEP 18:

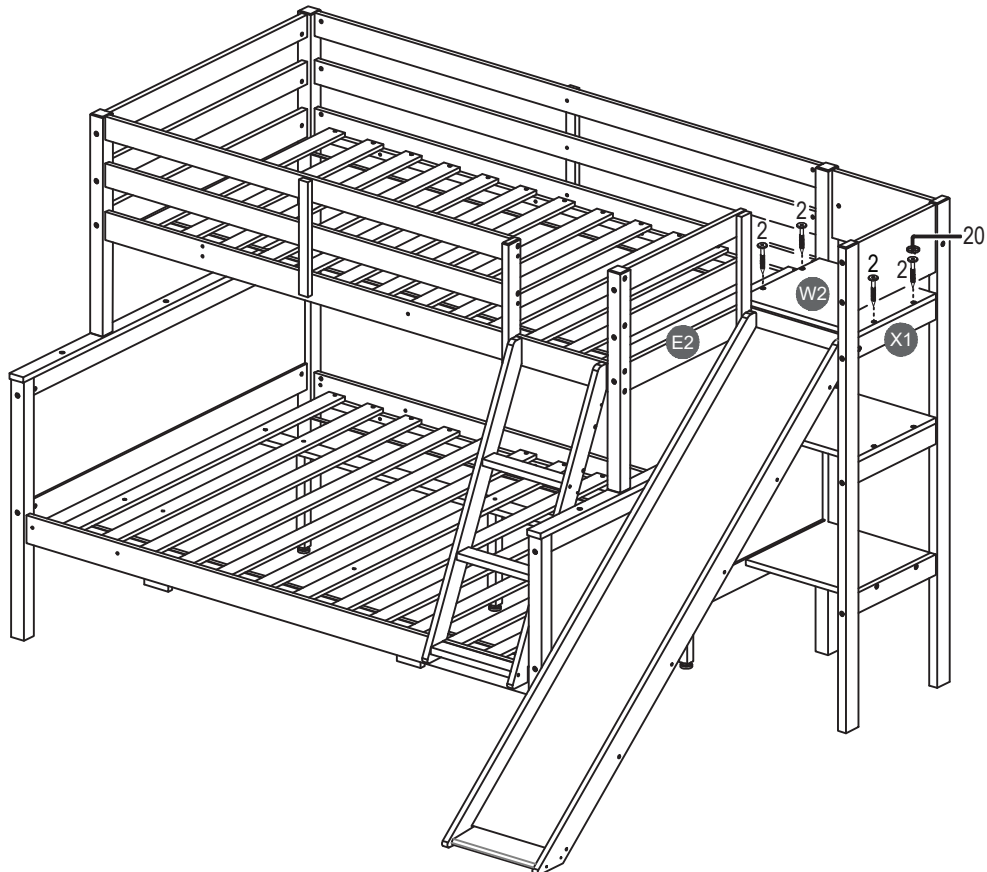


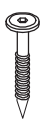
2		15	
16PCS		6PCS	
		19	
		2PCS	

STEP 19:

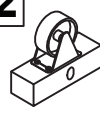

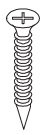


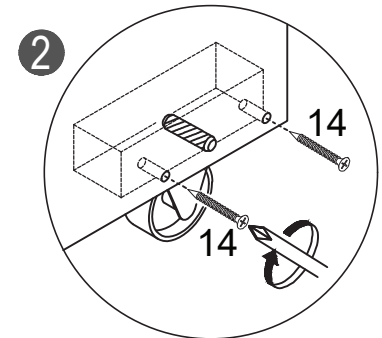
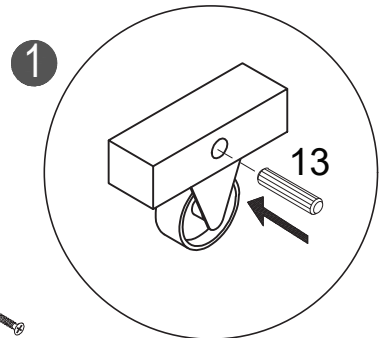
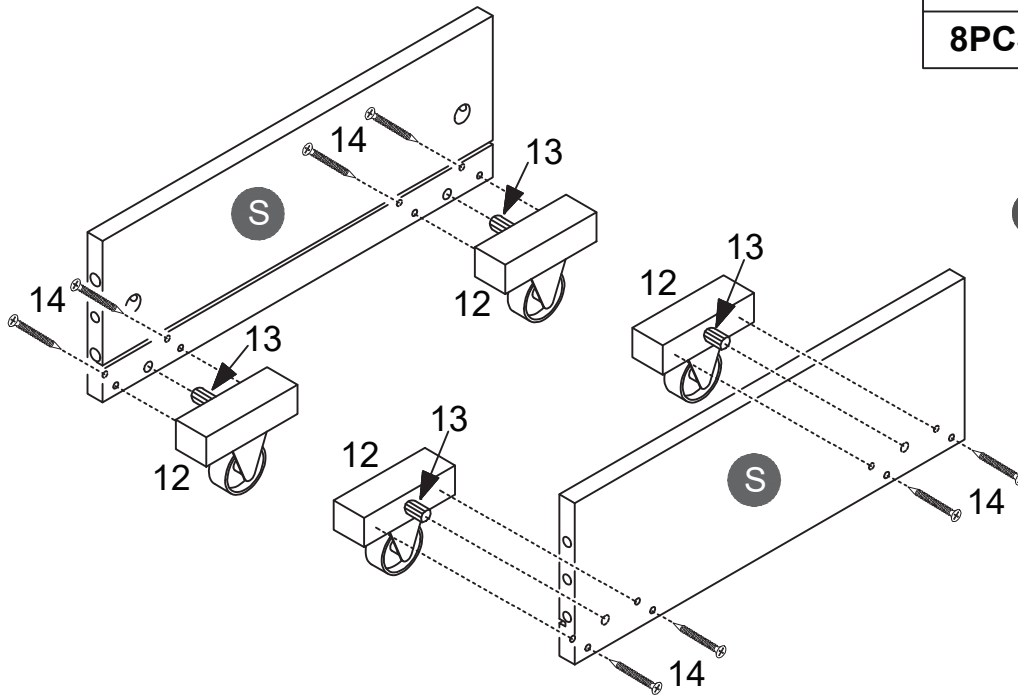
STEP 20:



2

4PCS




STEP 21:

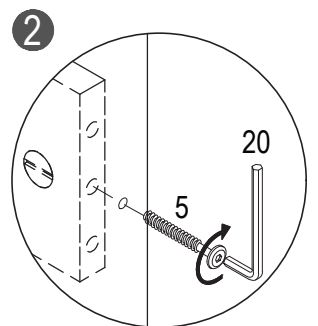
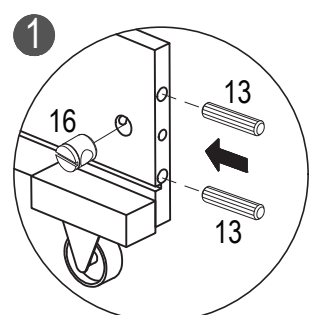
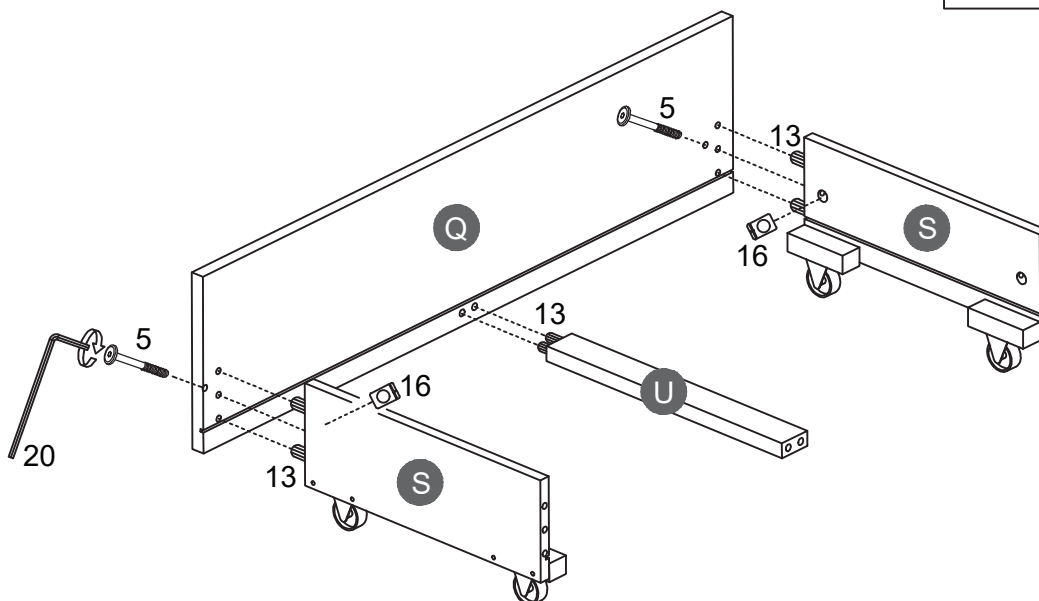
12 	13 	14 
8PCS	8PCS	16PCS



x 2

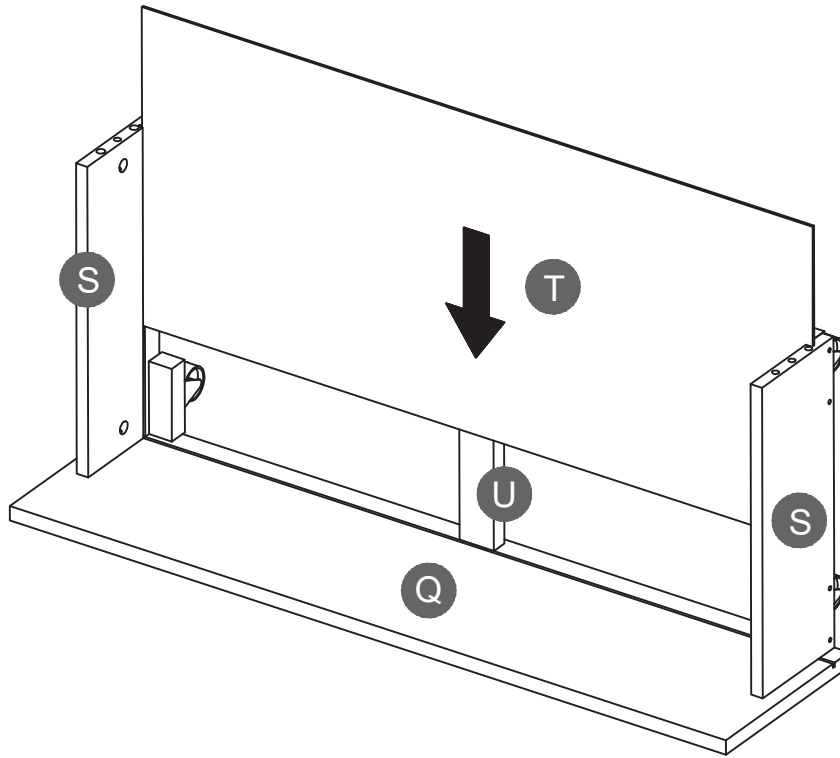
STEP 22:

5 	13 	16 
4PCS	12PCS	4PCS






x 2

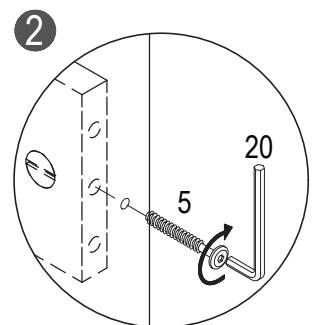
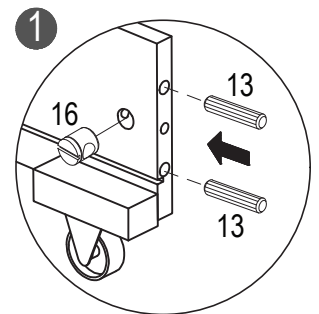
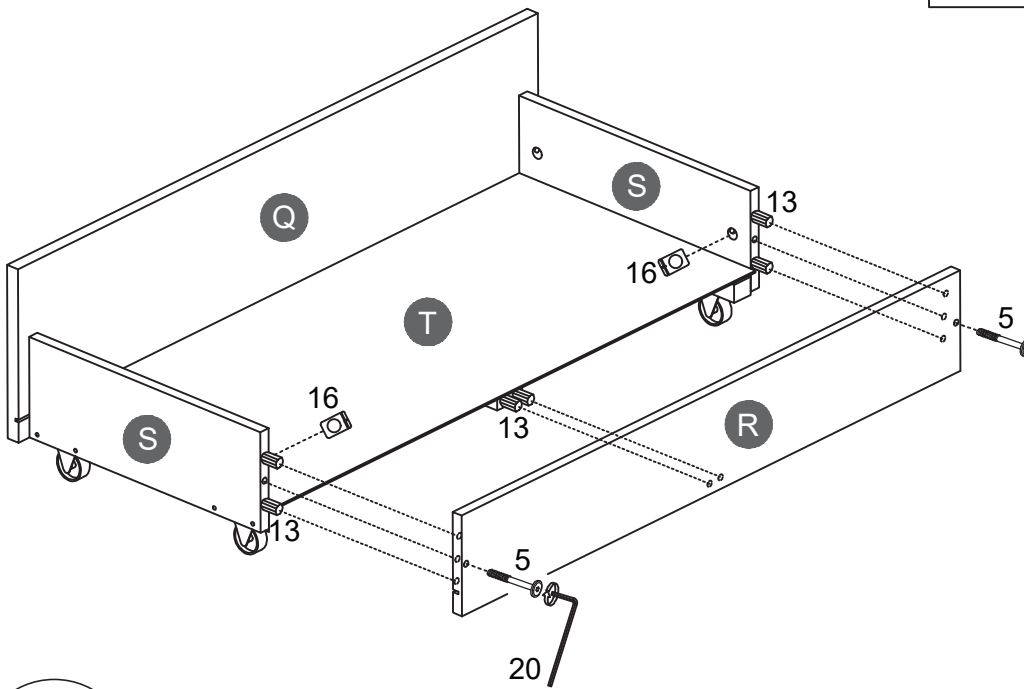
STEP 23:



x 2

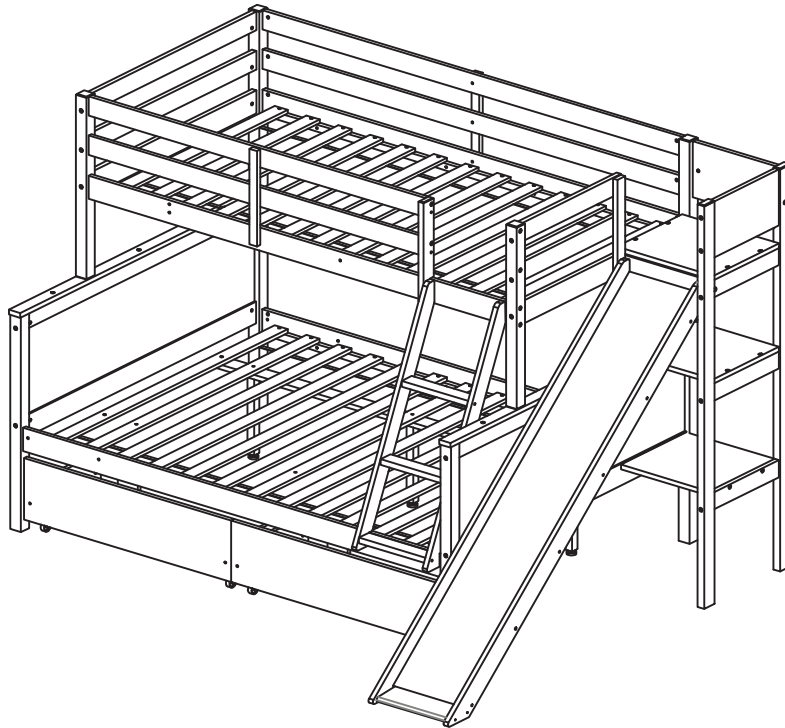
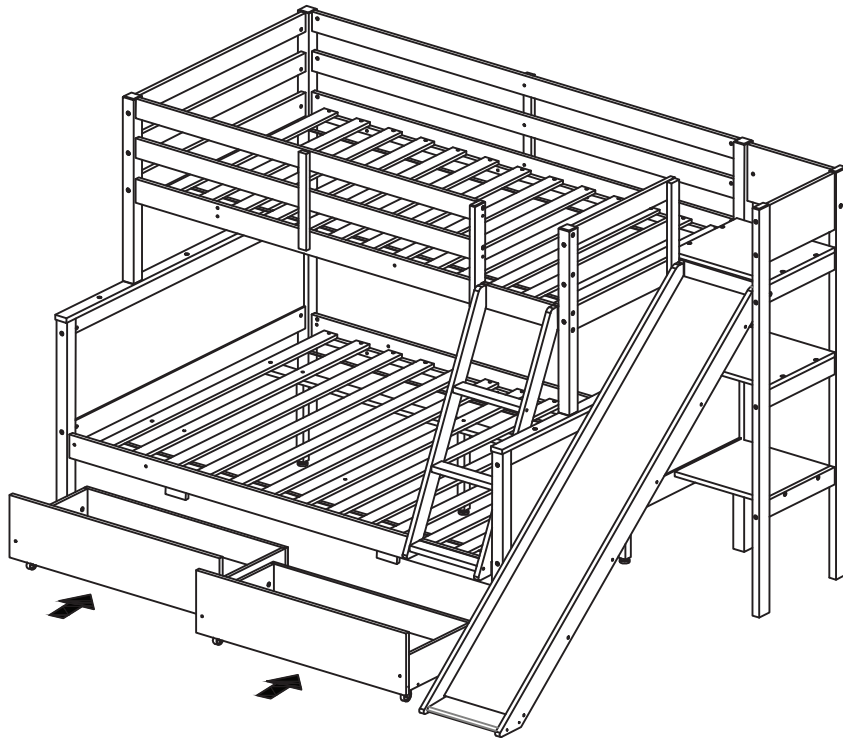
STEP 24:

5		13		16	
4PCS		12PCS		4PCS	



x 2

STEP 25:



Push Storage under the bottom of Bunkbed.