

# Owner Manual

---



---

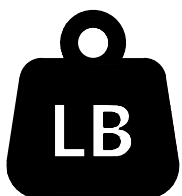
## NOTE:

This brochure contains IMPORTANT safety info. Please read and keep for future reference.

---

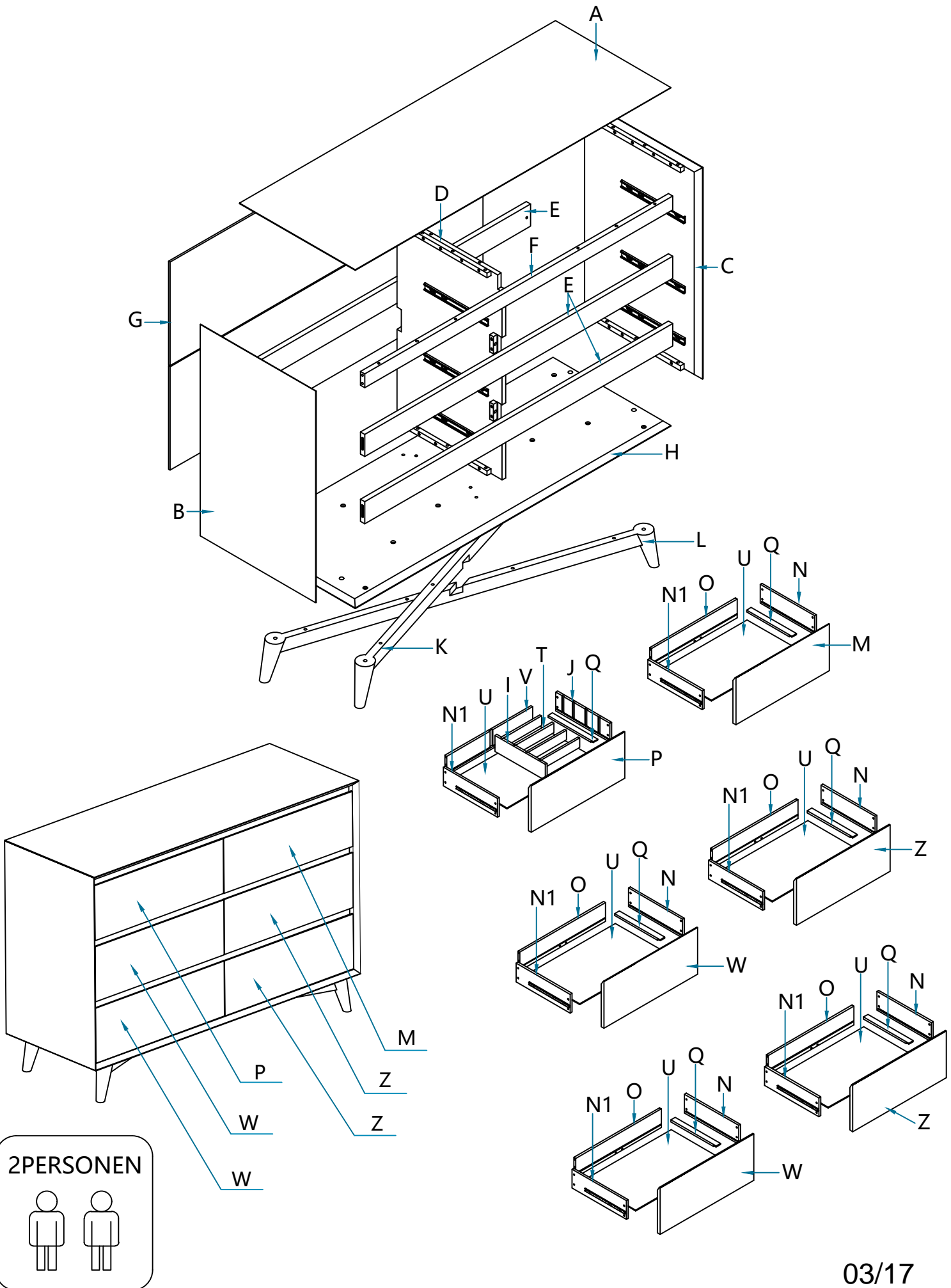
# MAINTAINANCE AND WARNING

- .Keep furniture away from heat sources.
- .Do not clean furniture with harsh cleaner or polishes.Do not use detergents,solvents,abrasives,spray packs or leather cleaner. Use non-color mild soa with warm water to clean spills(Mix 1:10 soap to water).
- .Do not place furniture under direct sunlight,material will possibly fade over time.
- .Do not use on site dry cleaning machine.Children should not climb or jump on the furniture.
- .Do not write on furniture that is not protectedby a padded barrier.
- .Not for commercial use,only for residential use.

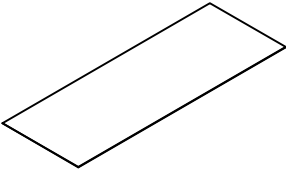


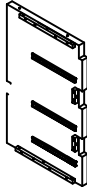
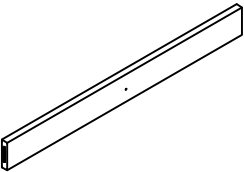
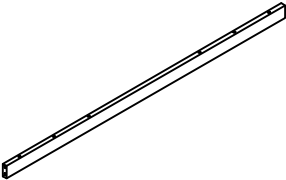
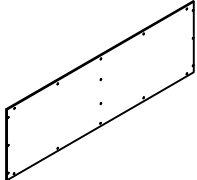
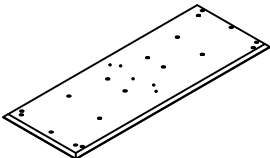
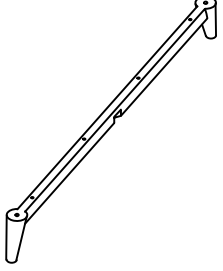
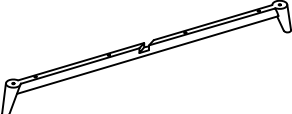


Weight Limitation  
**150 LBS**

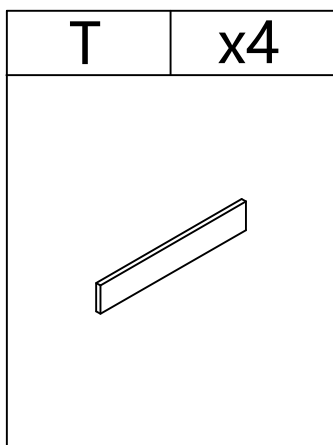
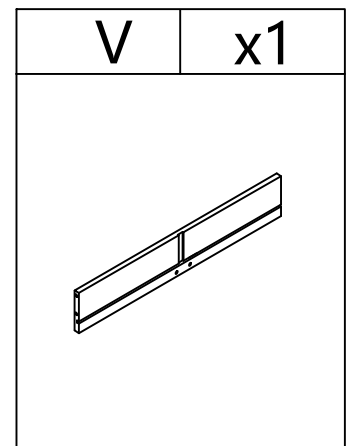
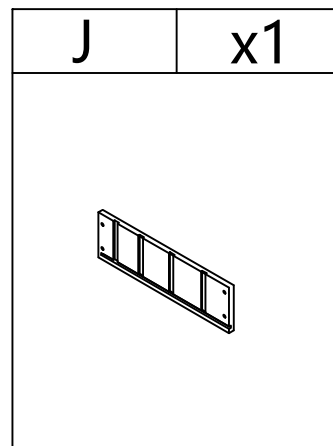
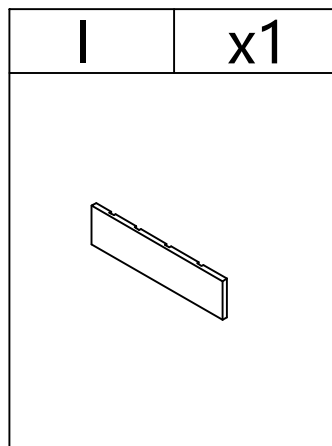
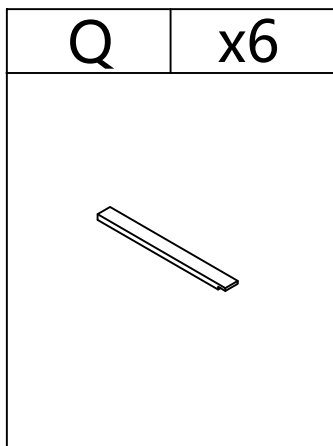
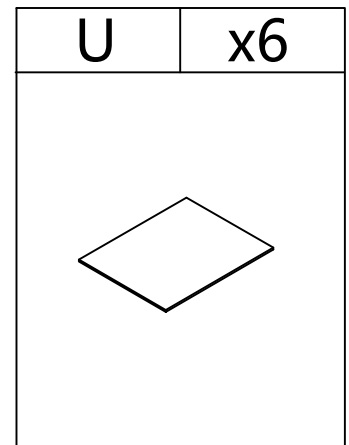
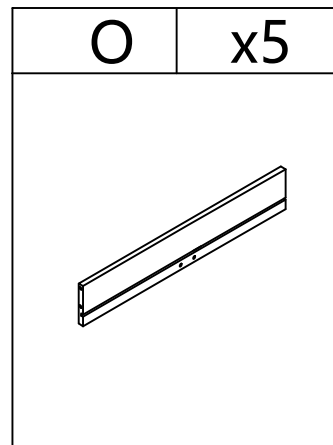
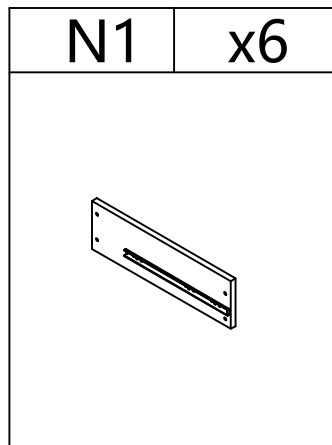
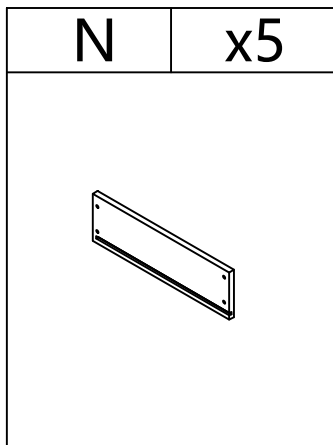
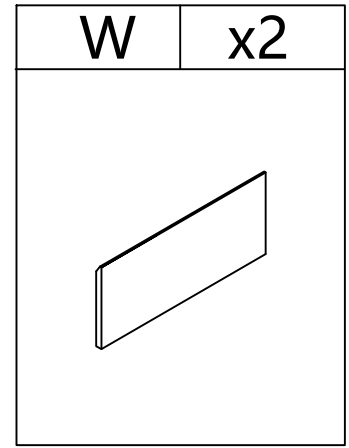
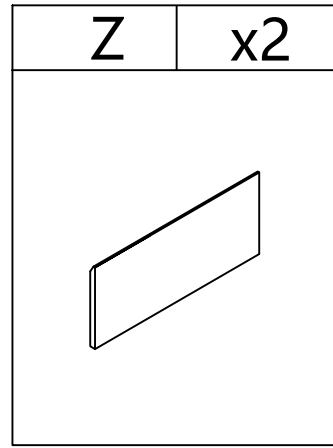
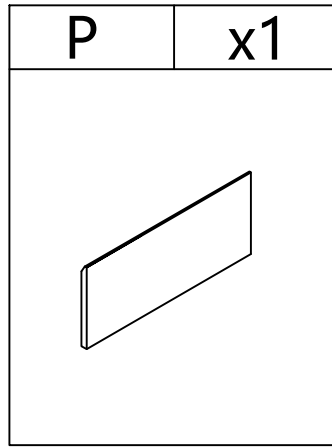
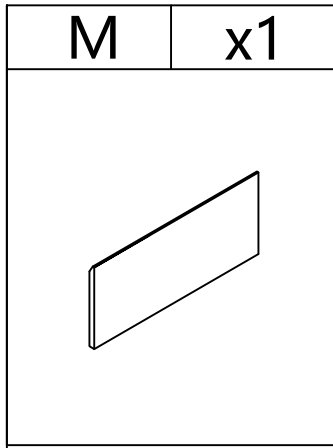
# EXPLOSIVE VIEW



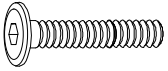
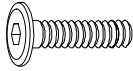
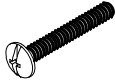


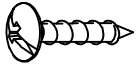
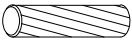
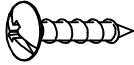
# SP-DSJE 1064-B PARTS LIST

A	x1	B	x1	C	x1	D	x1
							
E	x3	F	x1	G	x2	H	x1
							
K	x1	L	x1				
							


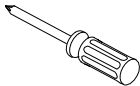
# SP-DSJE 1064-A PARTS LIST



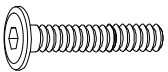
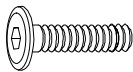
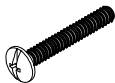


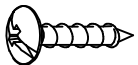
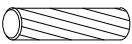

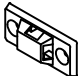

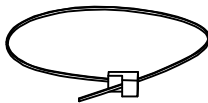
# HARDWARE LIST (DSJE 1064-B)

#1	x12	#2	x24	#3	x60	#4	x32	#5	x32	#6	x34
											
φ1/4x2"		φ1/4x1-1/2"		φ5/32X3/4 "		φ1/4		φ1/4		φ3.5x15	
#7	x16	#8	x1								
											
φ8x30		φ3.5x25									

# TOOL LIST (DSJE 1064-B)

#9	x1	#10	x1
			
M4		12	

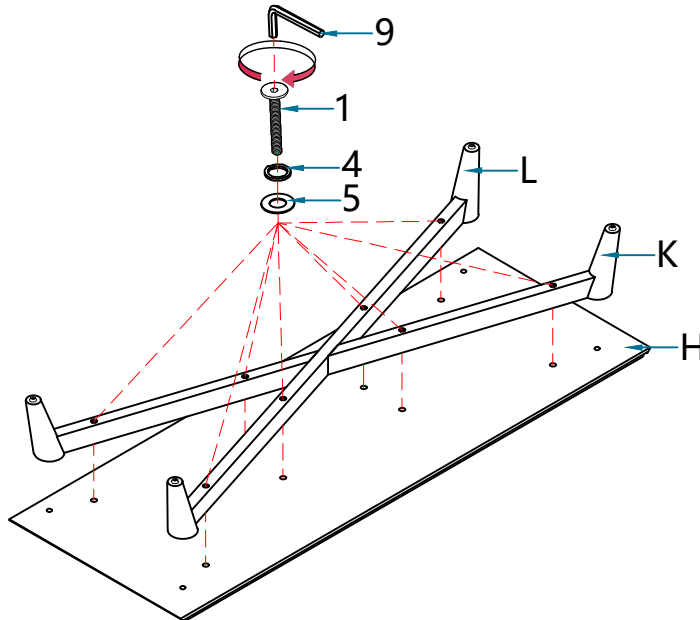
# HARDWARE SPARE LIST (DSJE 1064-B)

#1	x1	#2	x1	#3	x2	#4	x2	#5	x2	#6	x4
											
φ1/4x2"		φ1/4x1-1/2"		φ5/32X3/4 "		φ1/4		φ1/4		φ3.5x15	
#7	x2	#15	x4	#16	x4	#17	x4	#18	x2		
											
φ8x30		Ø4*35									

# ASSEMBLY INSTRUCTIONS

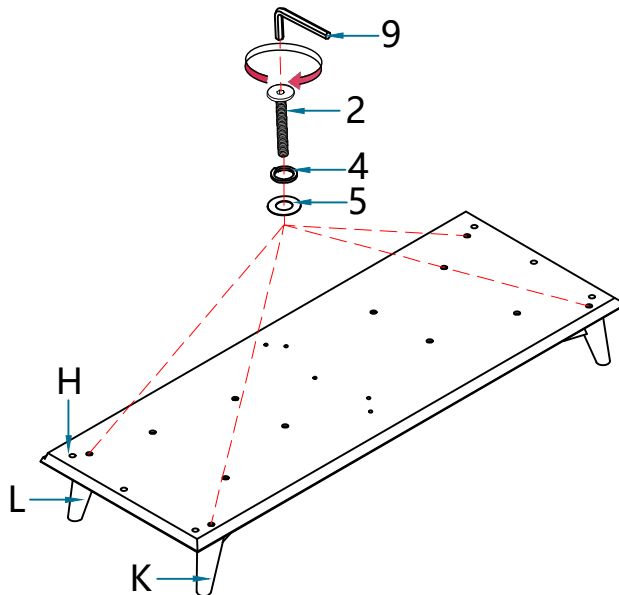
## STEP-1

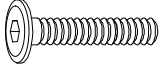
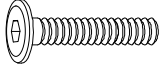


Align bottom leg (L,K) to the bottom panel (H) then secure by using Bolts (1) with Washers(4,5).



## STEP-2

Align bottom leg (L,K) to the bottom panel (H) then secure by using Bolts (2) with Washers(4,5).

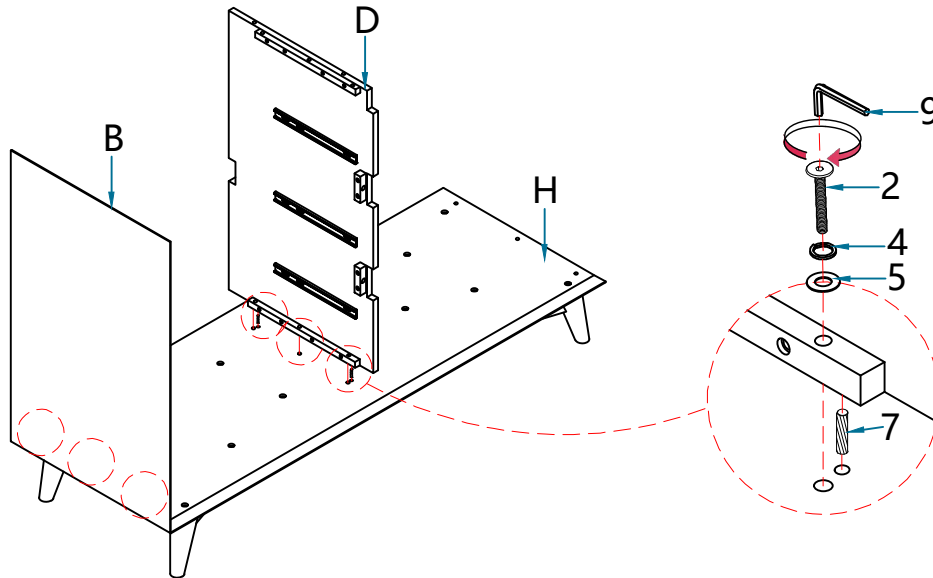


#1	x8	#2	x4	#4	x12	#5	x12
							
φ1/4x2"		φ1/4x1-1/2"		φ1/4"		φ1/4"	

# ASSEMBLY INSTRUCTIONS

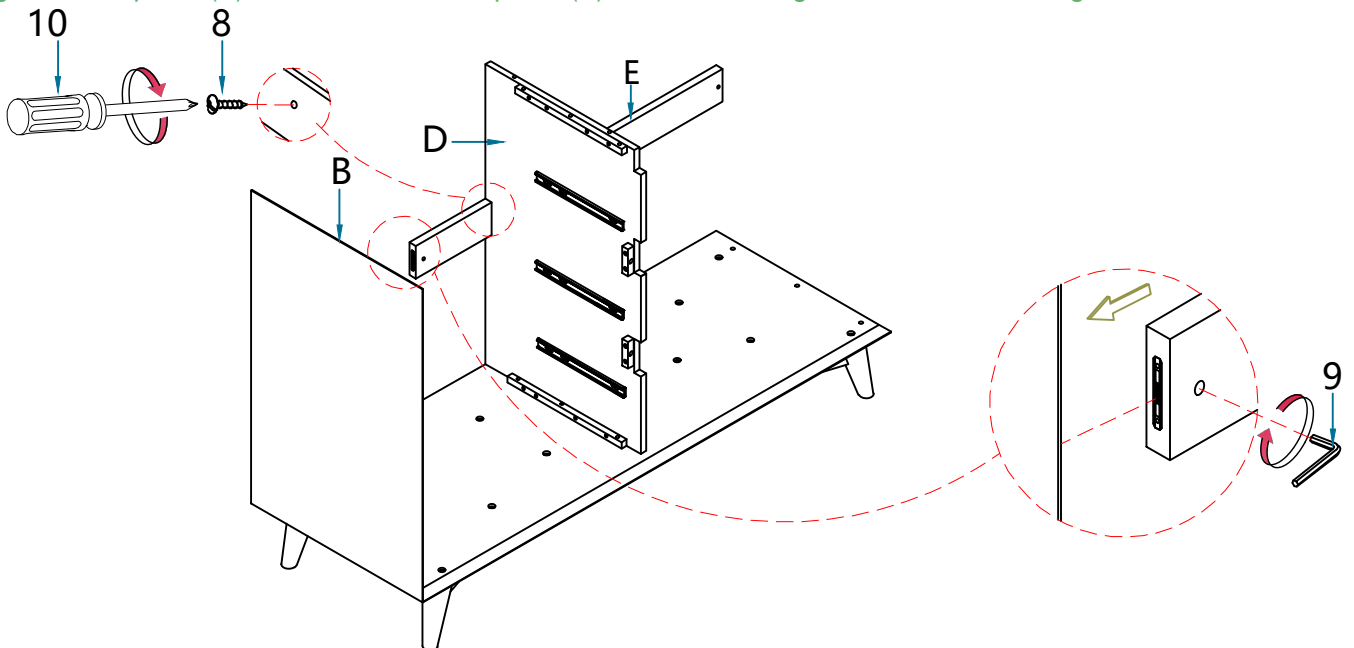
## STEP-3

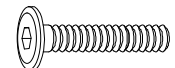
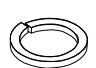


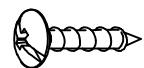
Align divider panel (D) to the bottom panel (H) and left side panel (B) then secure by using Wood dowels (7), Bolts (2) with Washers(4,5).



## STEP-4

Align left side panel (B) Crossbar back side panel (E) insert the hexagon into the hold and tighten it.

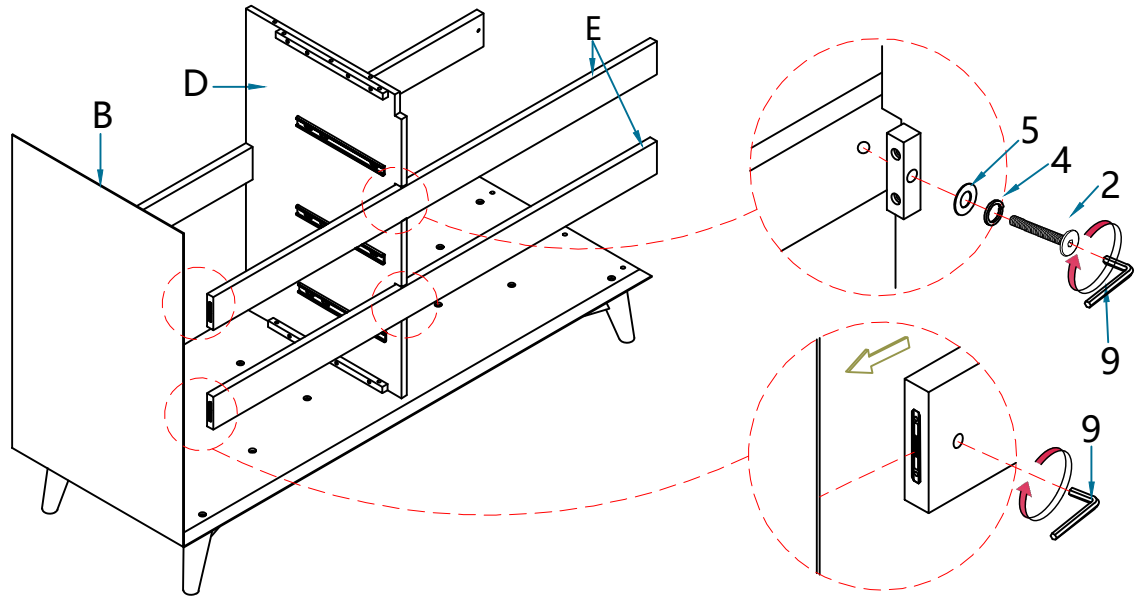


#2	x6	#4	x6	#5	x6	#7	x2	#8	x1
									
φ1/4x1-1/2"		φ1/4"		φ1/4"		φ8x30		φ3.5x25	

# ASSEMBLY INSTRUCTIONS

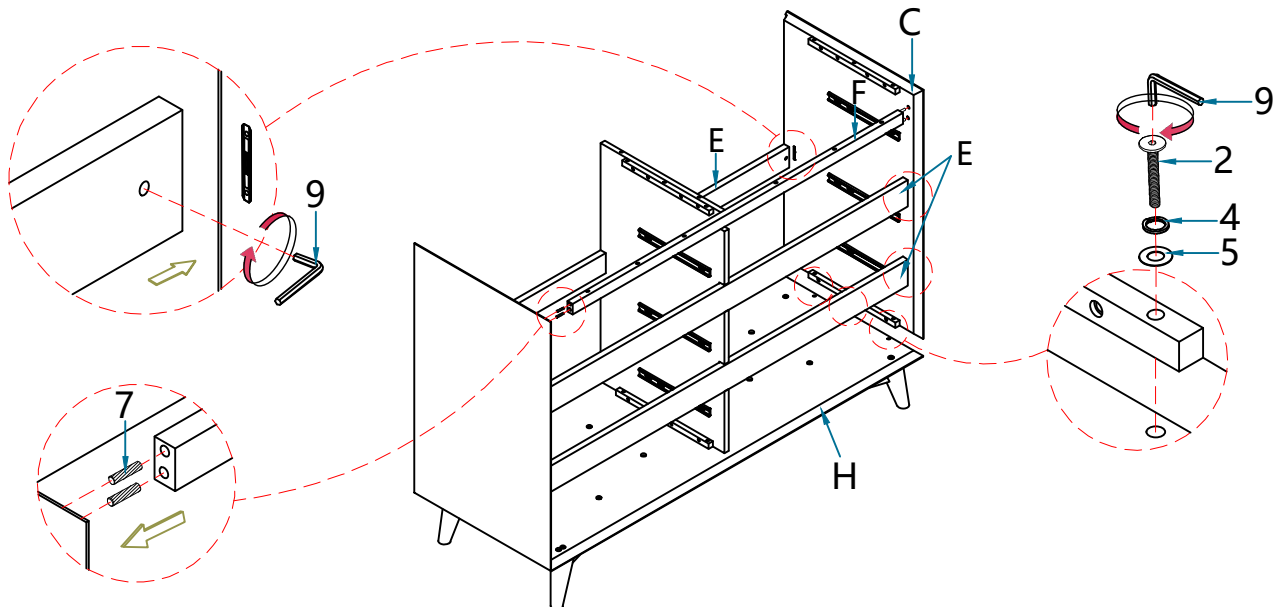
## STEP-5

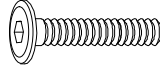
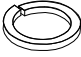
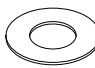

Align left side panel (B) Crossbar front side panel (E) insert the hexagon into the hold and tighten it.



## STEP-6

Align right side panel (C) to the bottom panel (H) and Crossbar side panel (E) insert the hexagon into the hold and tighten it. Then secure by using Wood dowels (7), Bolts (2) and Washers(4,5).

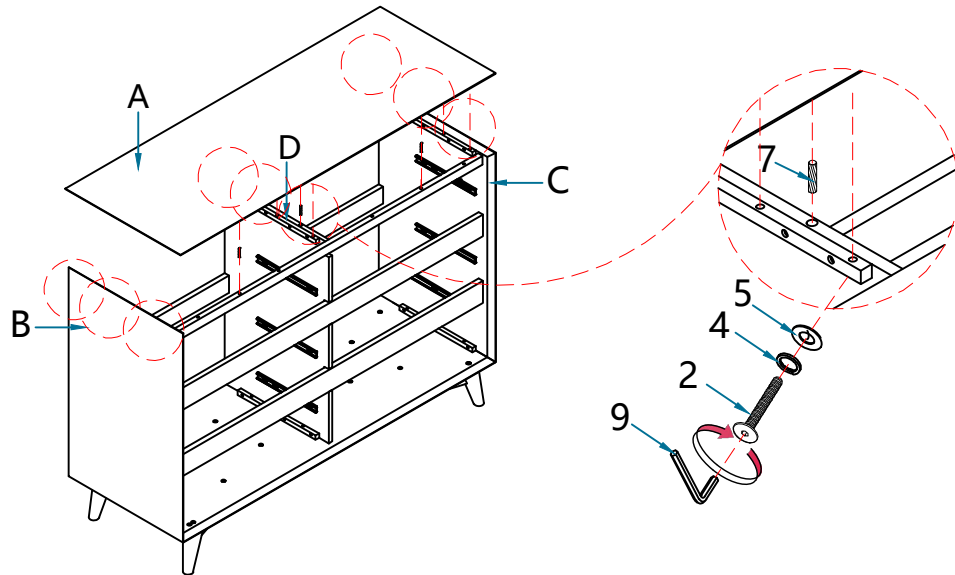


#2	x5	#4	x5	#5	x5	#7	x4
							
φ1/4x1-1/2"		φ1/4"		φ1/4"		φ8x30	

# ASSEMBLY INSTRUCTIONS

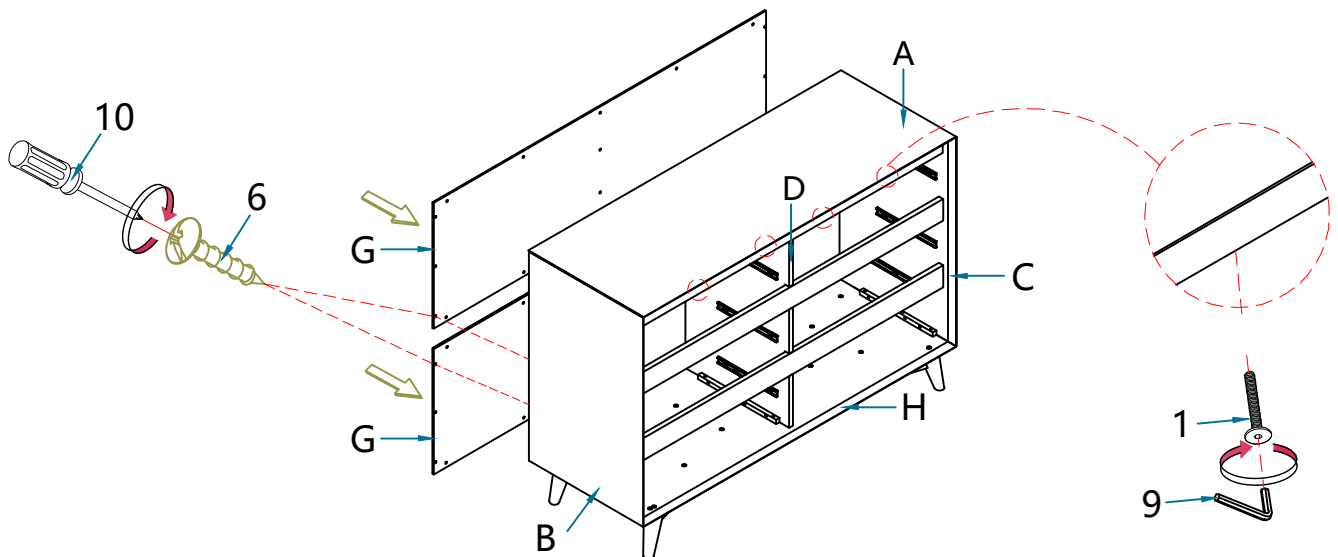
## STEP-7

Align the top (A) to left side panel (B), right side panel (C), divider panel (D) then secure by using Wood dowels (7), Bolts (2) and Washers(4,5).



## STEP-8

Align back panel (G) the top (A), left side panel (B), right side panel (C), divider panel (D) and bottom panel (H) then secure by using screws (6), and then secure by using Bolts (1) with Washers(4,5)

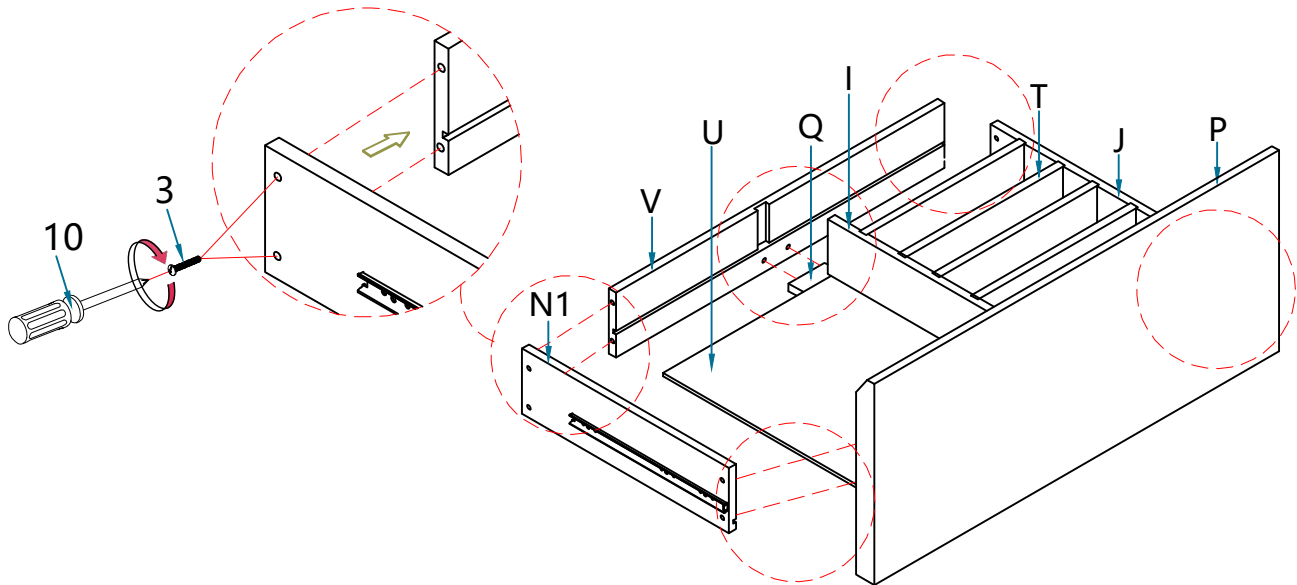


#1	x4	#2	x9	#4	x9	#5	x9	#6	x34	#7	x4
ø1/4x2"		ø1/4x1-1/2"		ø1/4"		ø1/4"		ø6x15		ø8x30	

# ASSEMBLY INSTRUCTIONS

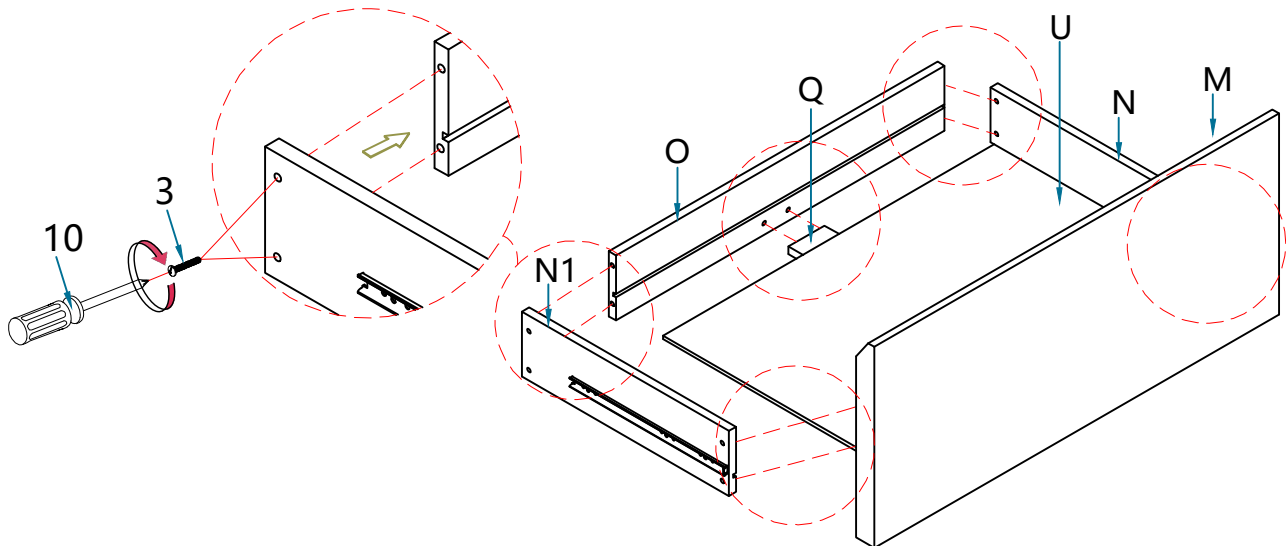
## STEP-9

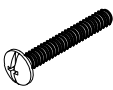
Insert the Drawer bottom panel (U) to Drawer side panel (J,N1), Drawer back panel (V), Drawer crossbar bottom (Q), Drawer panel (P), Drawer Crossbar(T) then secure by using Bolts (2).



## STEP-10

Insert the Drawer bottom panel (U) to Drawer side panel (N,N1), Drawer back panel (O), Drawer crossbar bottom (Q), Drawer panel (M), then secure by using Bolts (2).

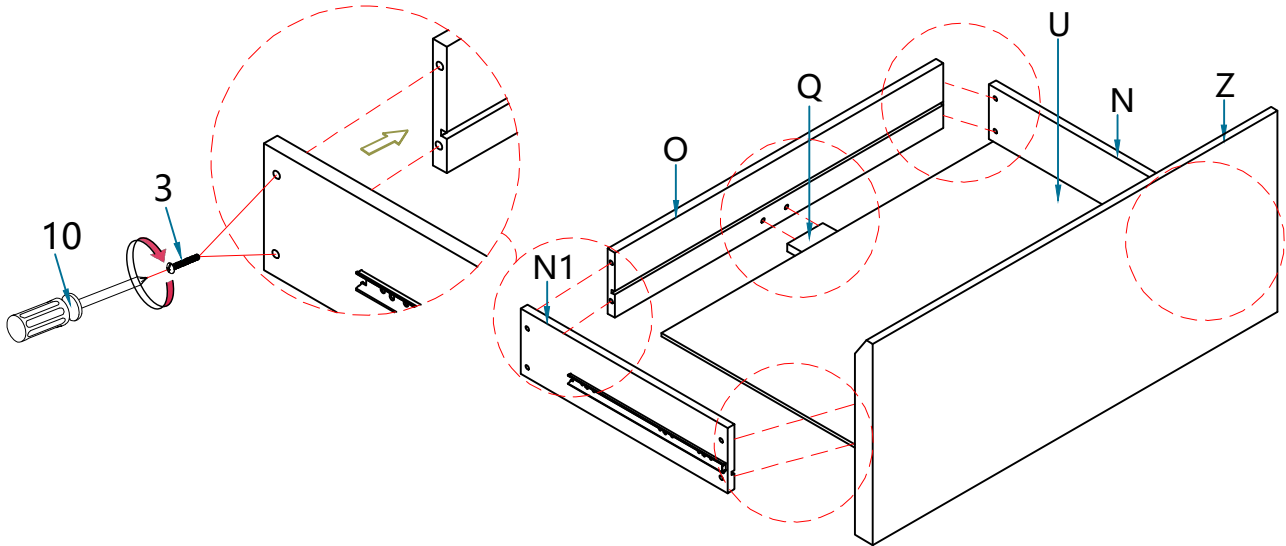


#3	x20
	
φ5/32X3/4"	

# ASSEMBLY INSTRUCTIONS

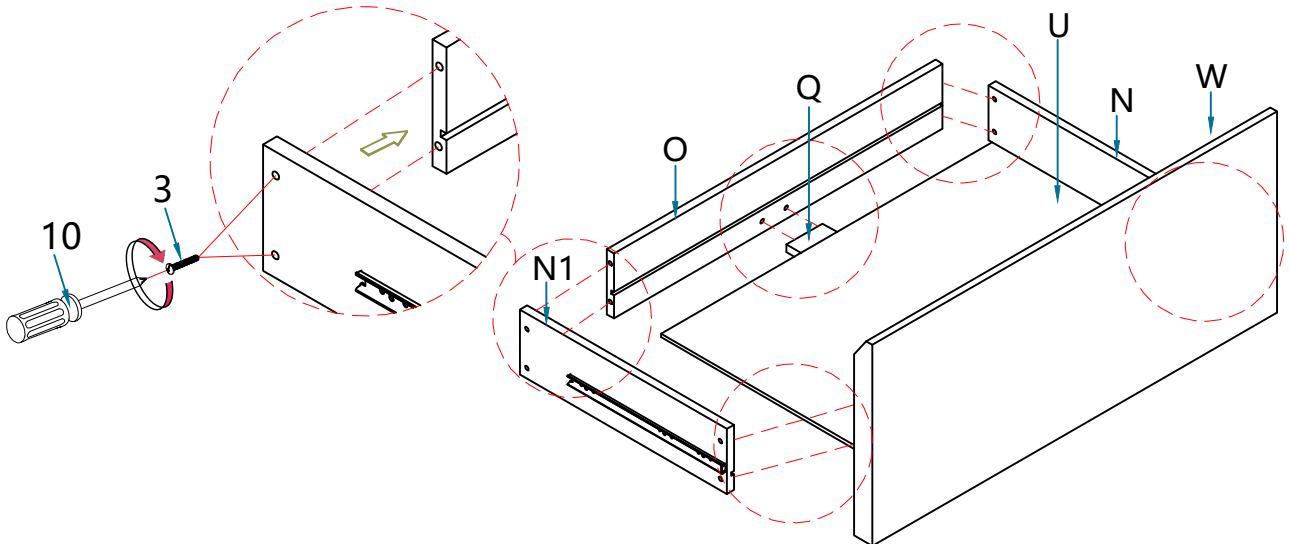
## STEP-11

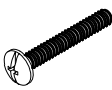
Insert the Drawer bottom panel (U) to Drawer side panel (N,N1), Drawer back panel (O), Drawer crossbar bottom (Q), Drawer panel (Z), then secure by using Bolts (2).



## STEP-12

Insert the Drawer bottom panel (U) to Drawer side panel (N,N1), Drawer back panel (O), Drawer crossbar bottom (Q), Drawer panel (W), then secure by using Bolts (2).

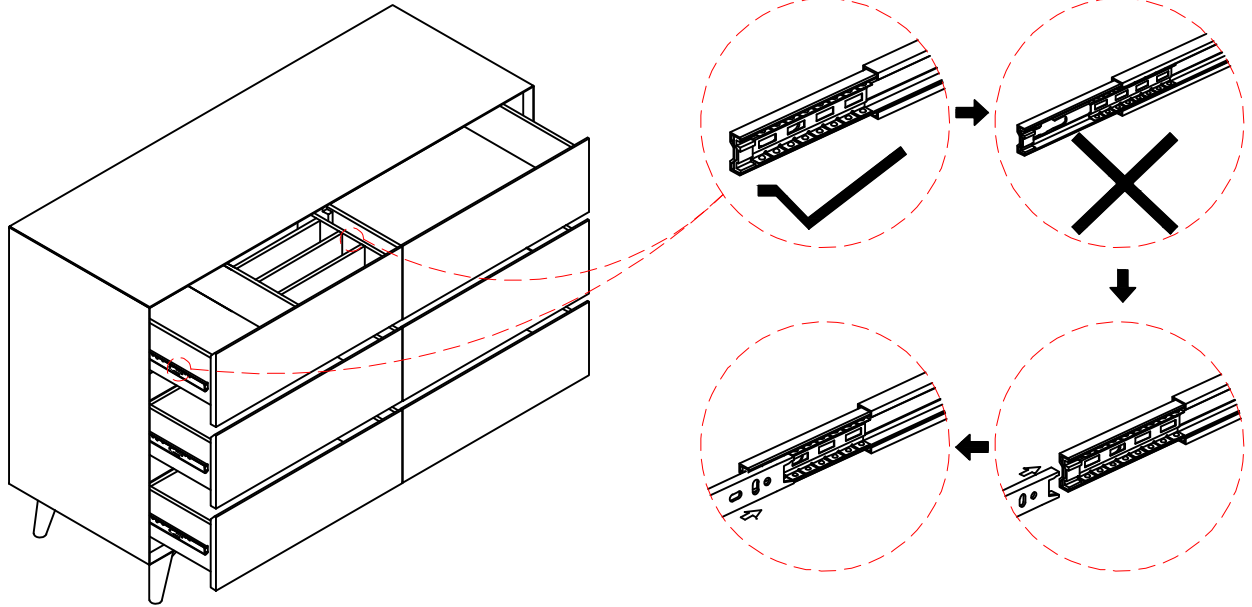


#3	x20
	
φ5/32X3/4"	

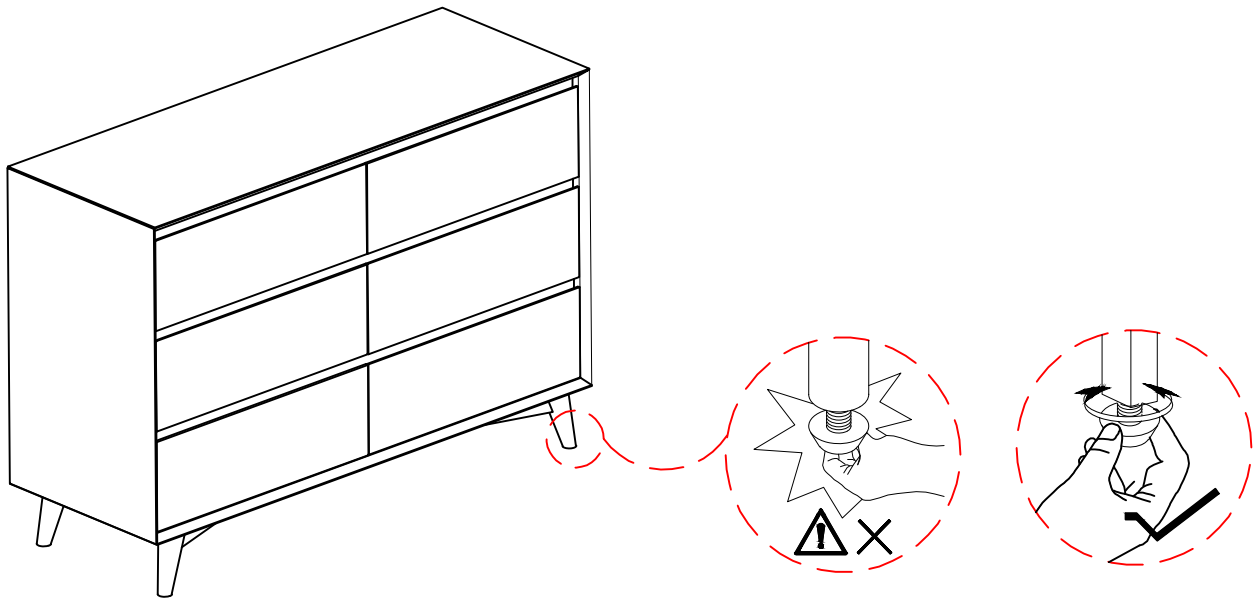
# ASSEMBLY INSTRUCTIONS

## STEP-13

Install the Drawers to the Cabinet base



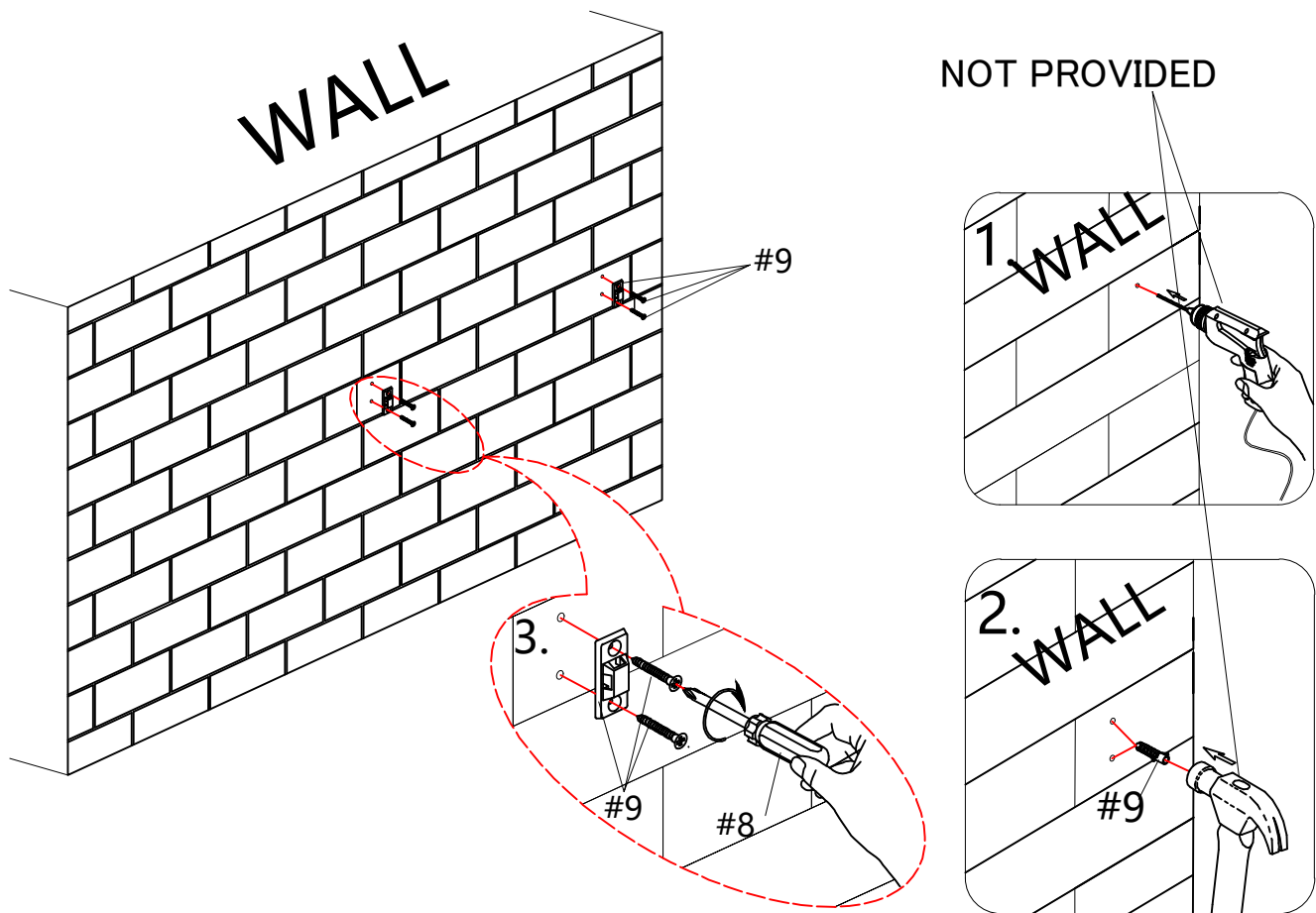
## STEP-14



# ASSEMBLY INSTRUCTIONS

## STEP-15

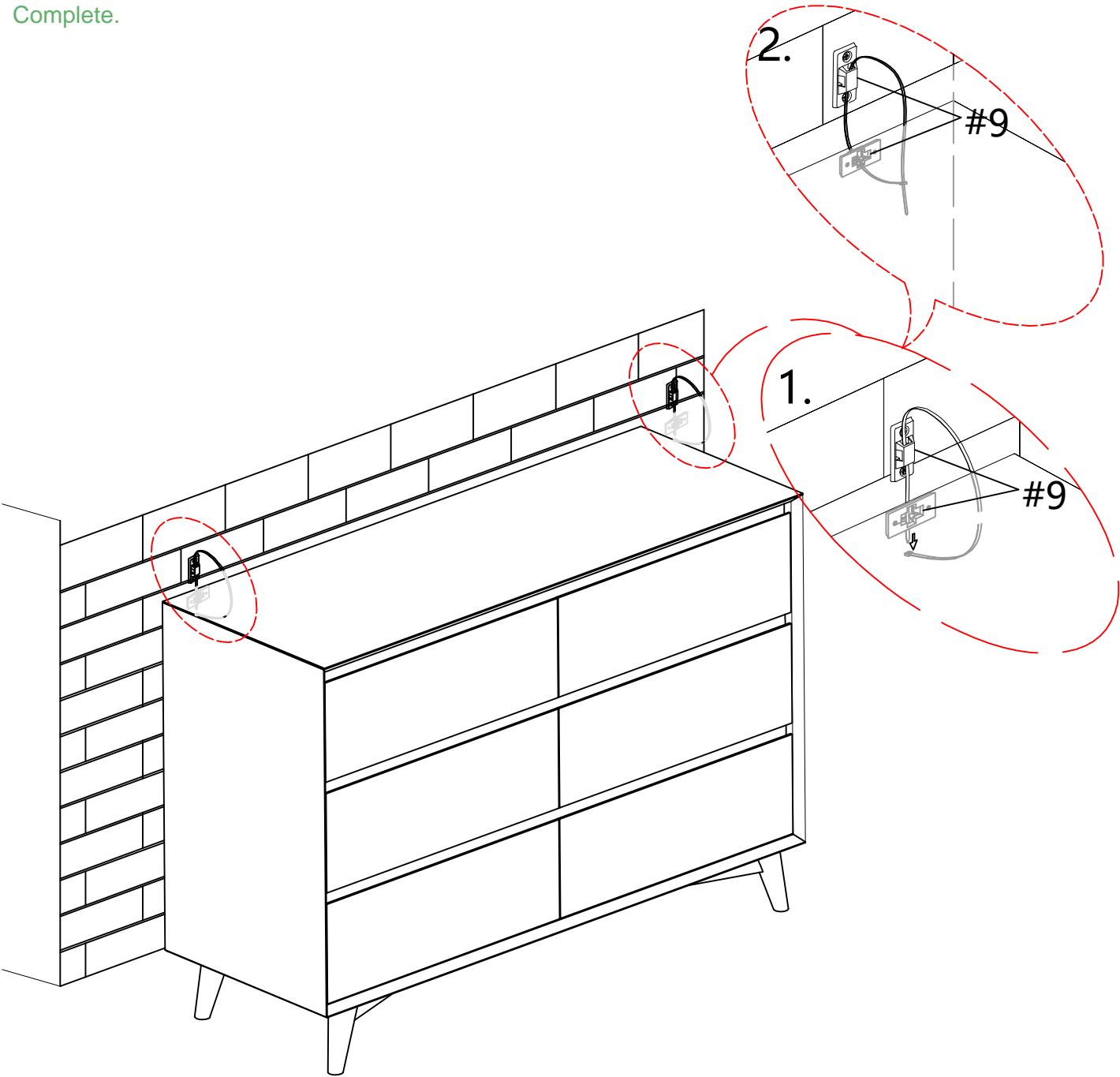
Complete.



# ASSEMBLY INSTRUCTIONS

## STEP-15

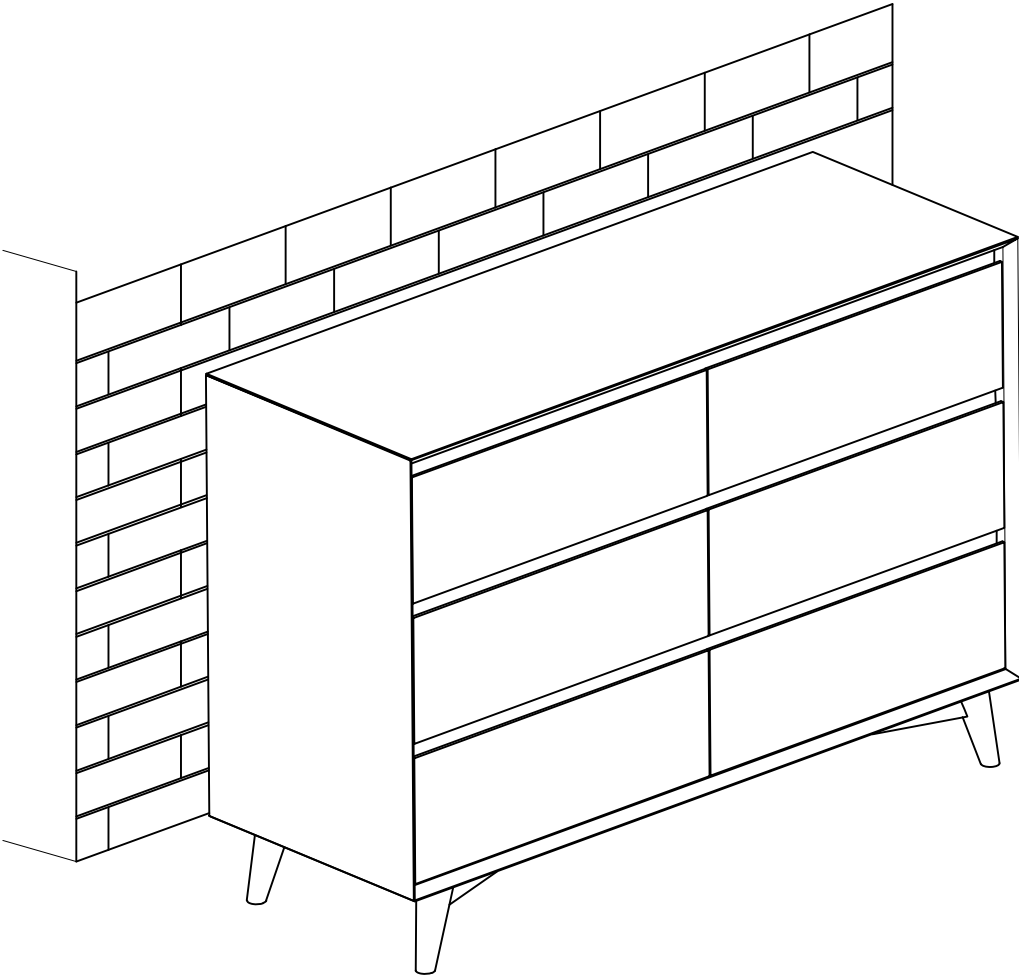
Complete.



# ASSEMBLY INSTRUCTIONS

## STEP-15

Complete.



# WARRANTY

1. We strive to offer high-quality products, and we also try our best to satisfy each and every customer that orders from us with product or service as needed.
2. We provide 30 days warranty starting from the time you receive the item. Each customer must provide a record of their order such as the order number, or item receipt for any items that are out of the warranty period you may also still receive.
3. Replacement parts by purchasing them with our company if they are available.