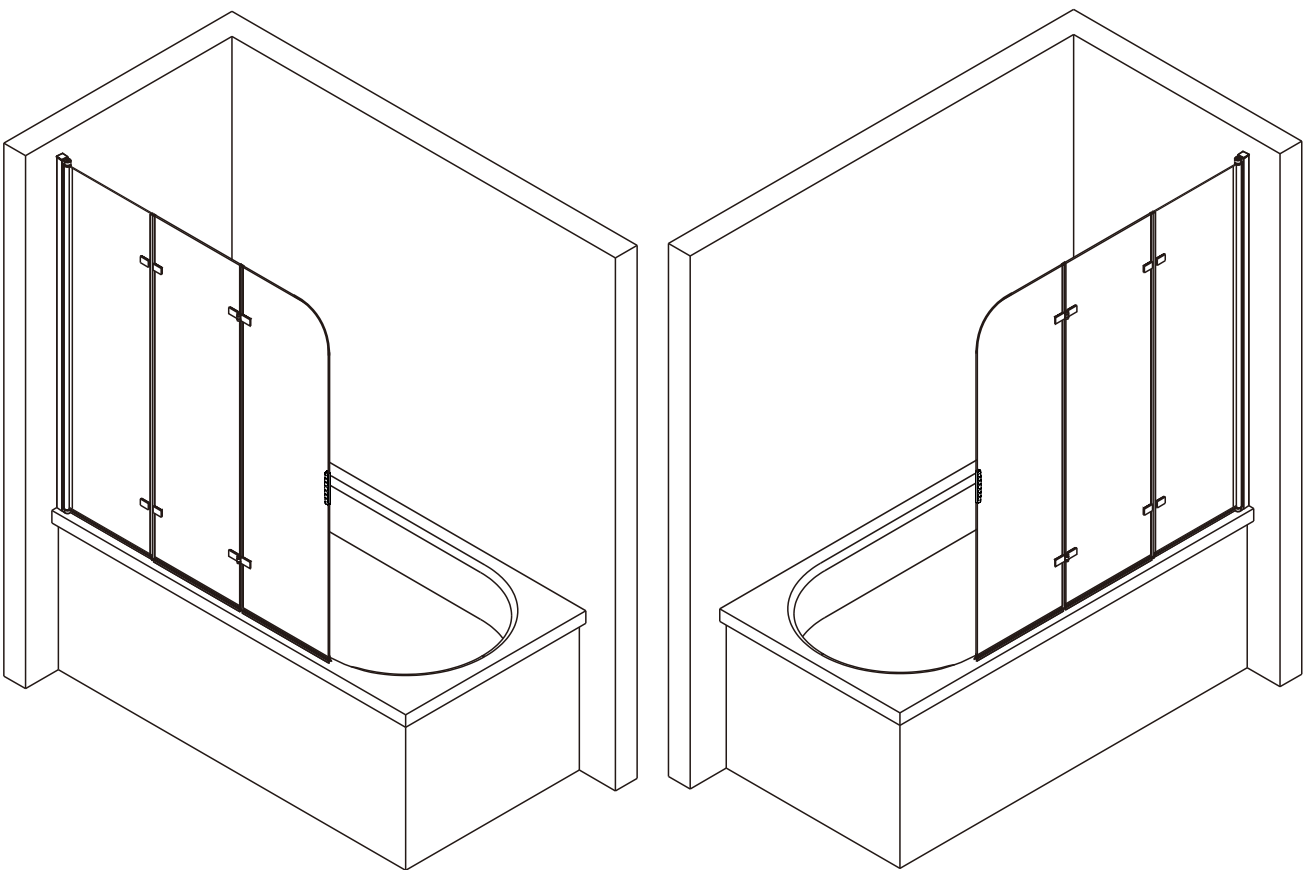


# SD12-51

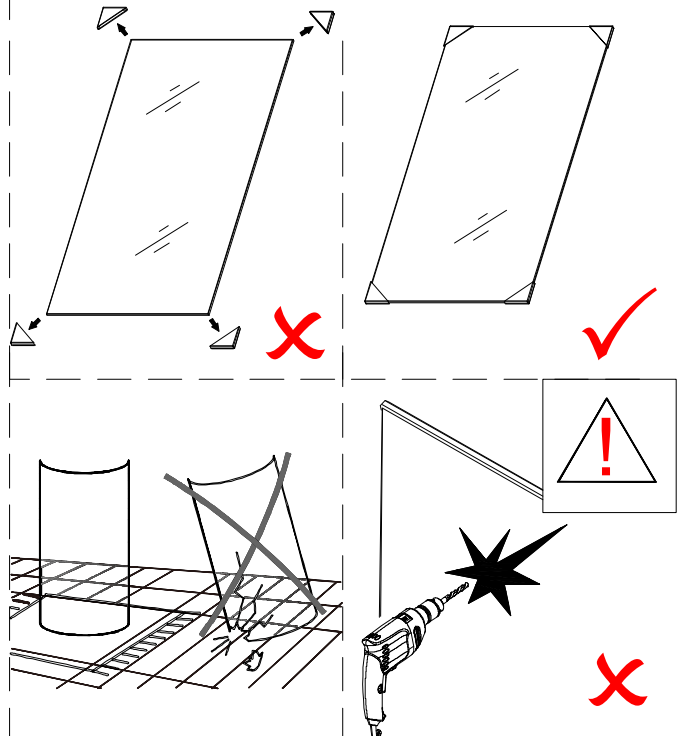
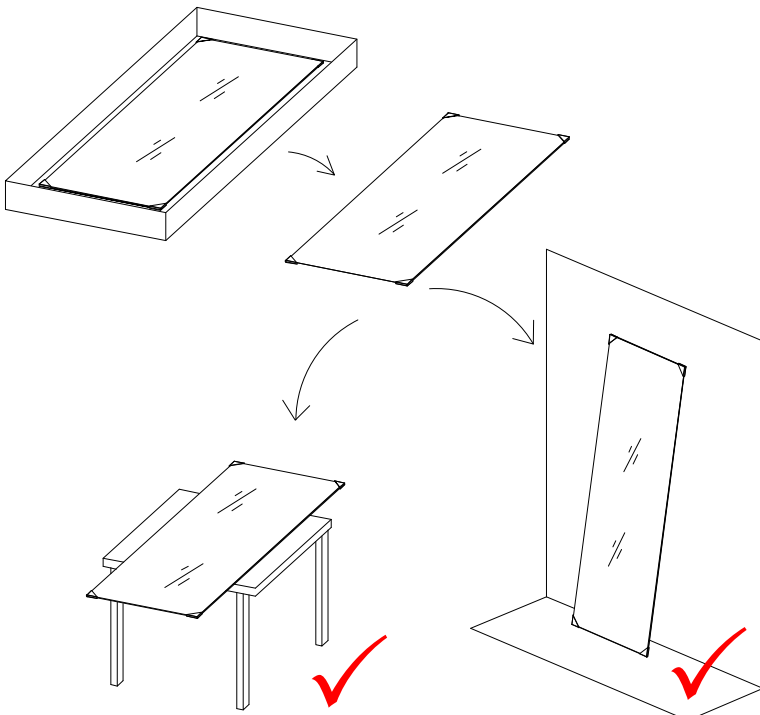
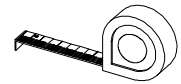
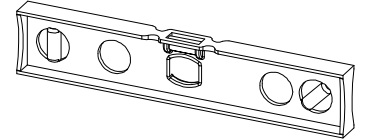
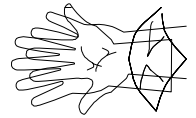
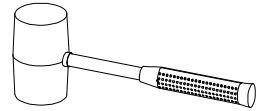
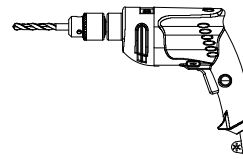
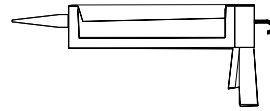
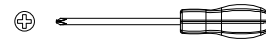
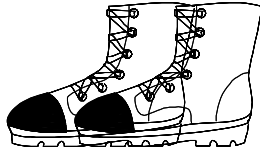
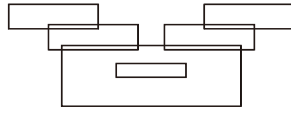
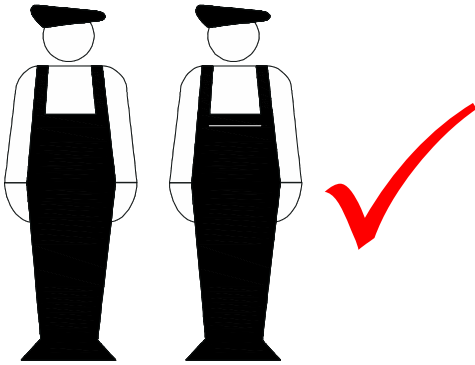
## INSTALLATION MANUAL

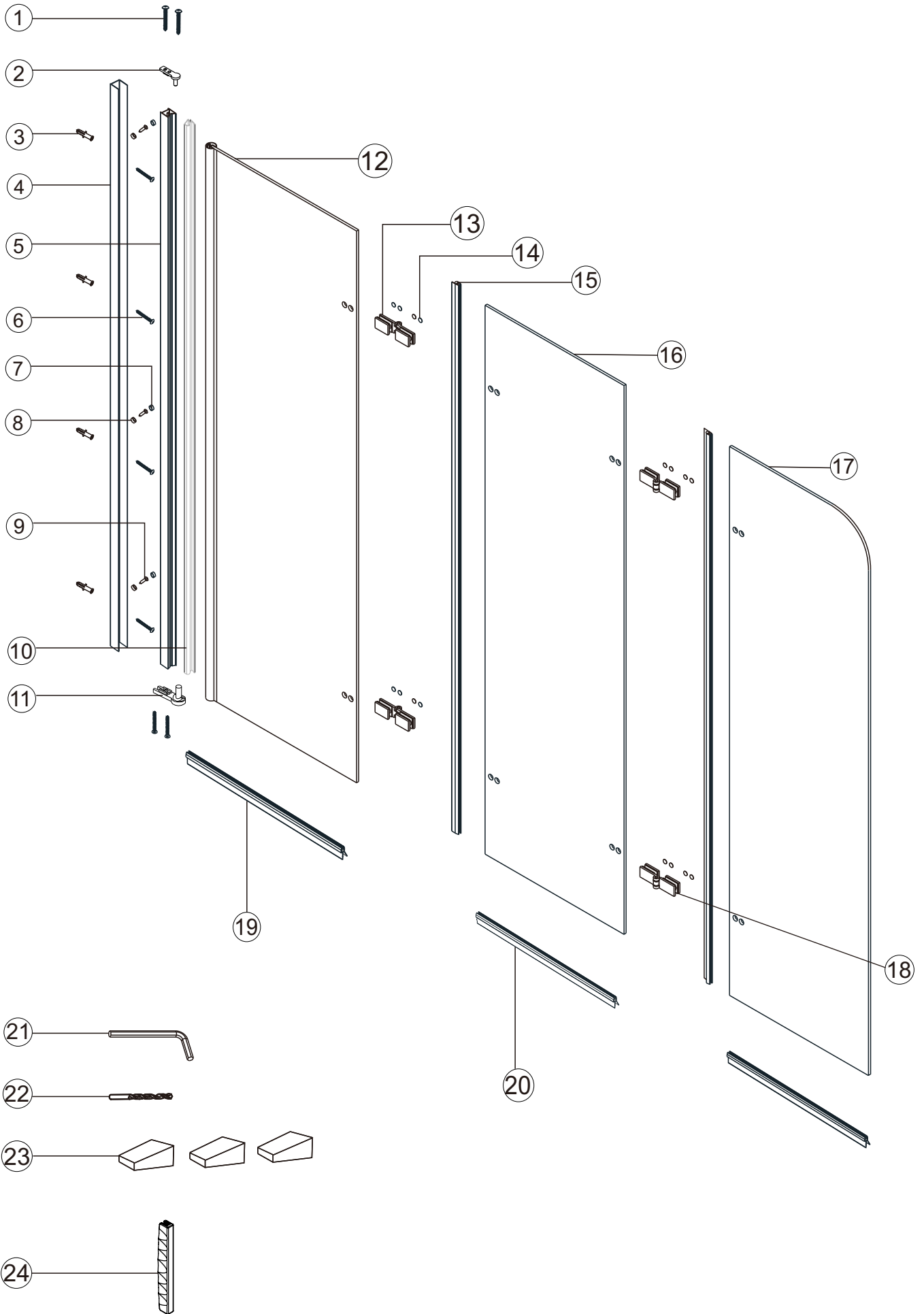


SD12-51-20/SD12-51-50


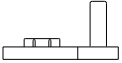


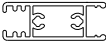









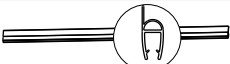





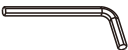


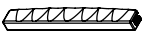


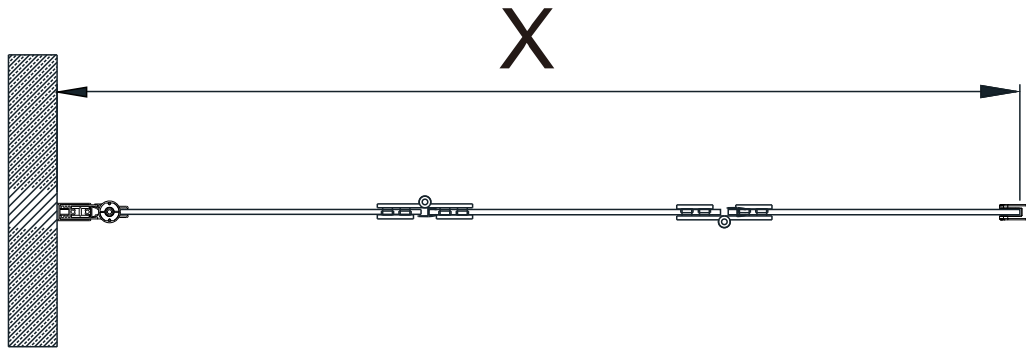
**IMPORTANT** - Please read and follow all warnings and instructions before using this product. Injury can result from improper use. Save these documents.





# Parts List

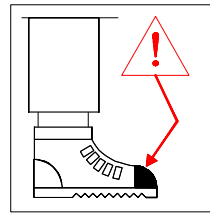
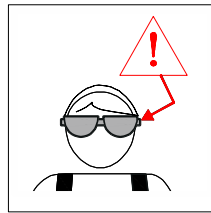
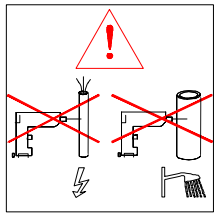
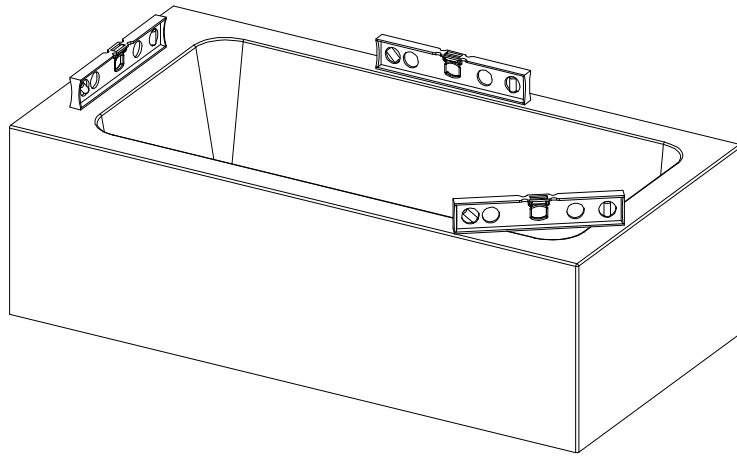
Part Number	Image	Size(mm)	Quantity
1		ST3.5*25	4
2			1
3			4
4			1
5			1
6		ST4*40	4
7			3
8			3
9		ST4*12	3
10			1
11			1
12			1
13			2
14			16
15			2
16			1
17			1
18			2
19			1
20			2
21		3MM	1
22		3MM	1
23			3
24			1



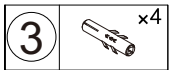
		X	
	Size in:mm	Min.	Max.
SD12-51-20	1300	1290	1300
SD12-51-50	1300	1290	1300

Assembly

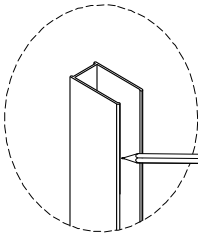
01



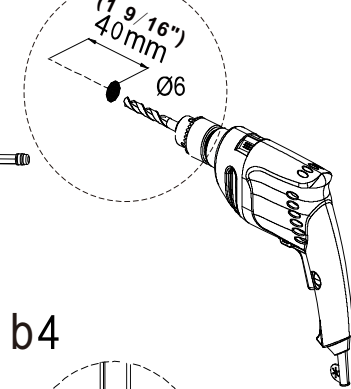
02



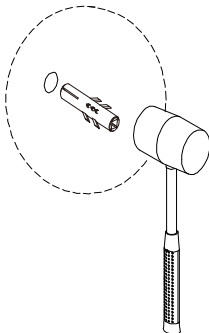
b1



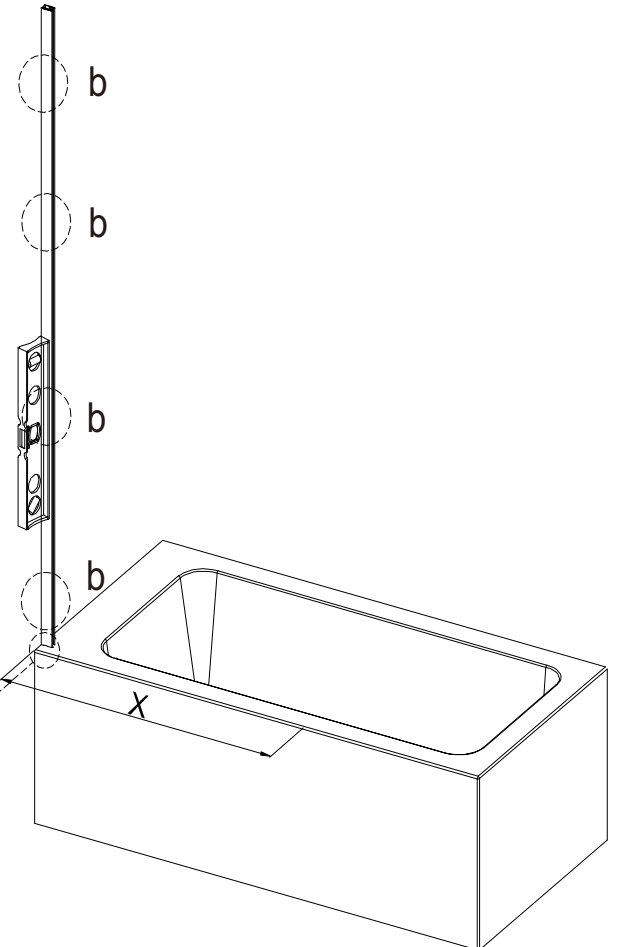
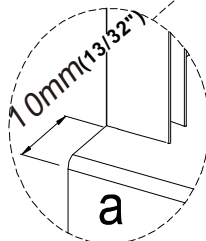
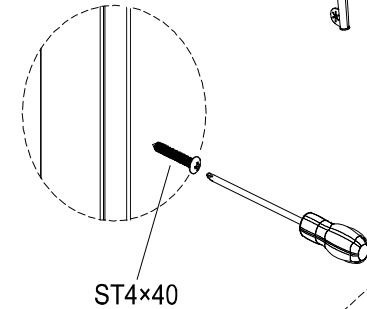
b2








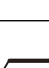
b3

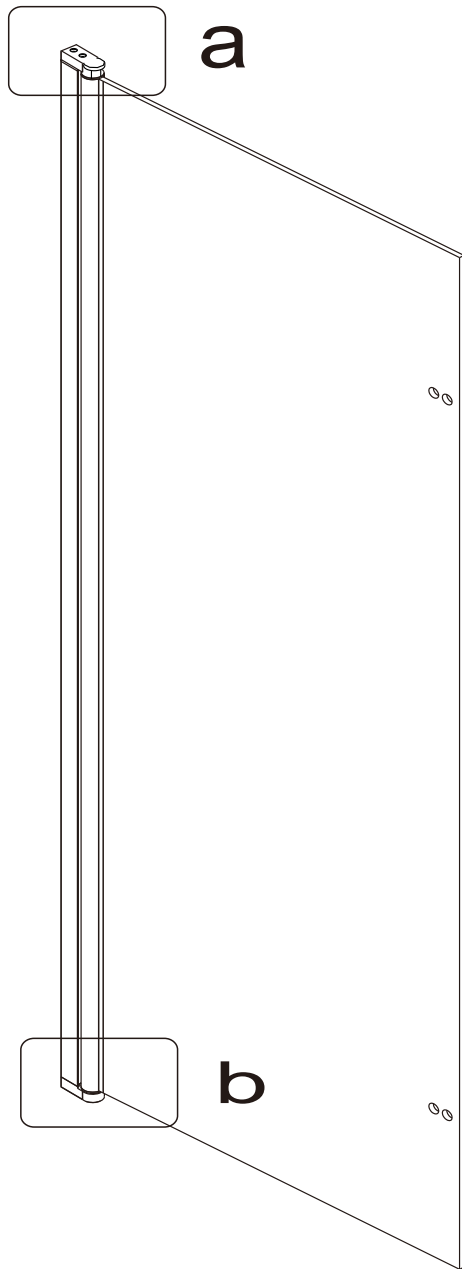
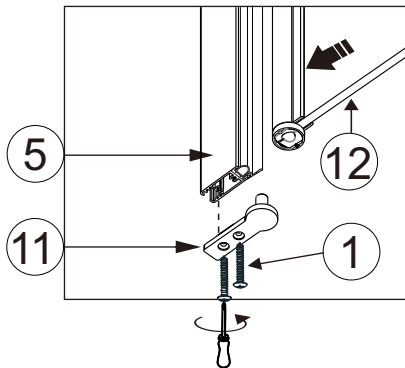
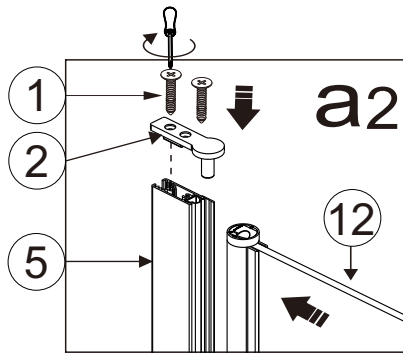
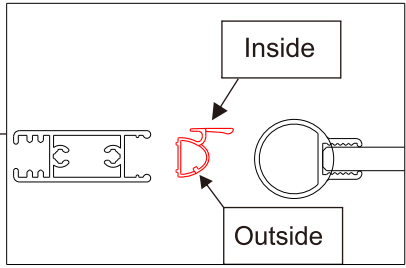
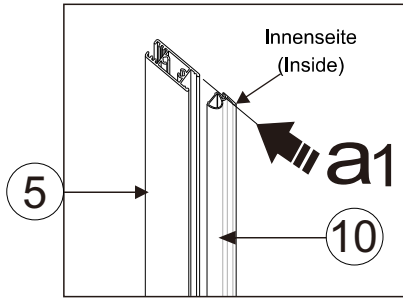


b4







Assembly

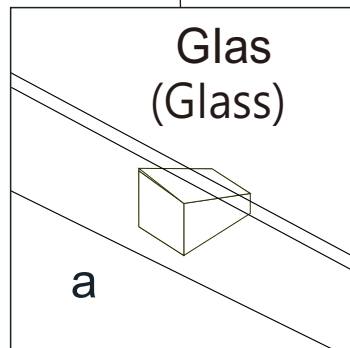
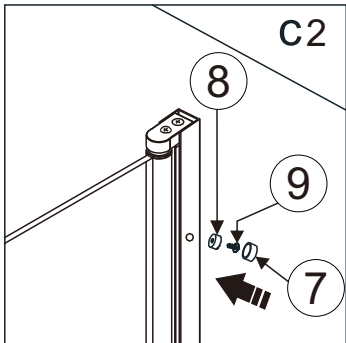
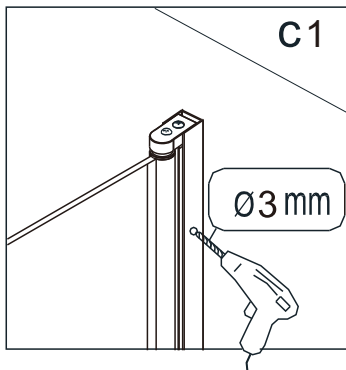
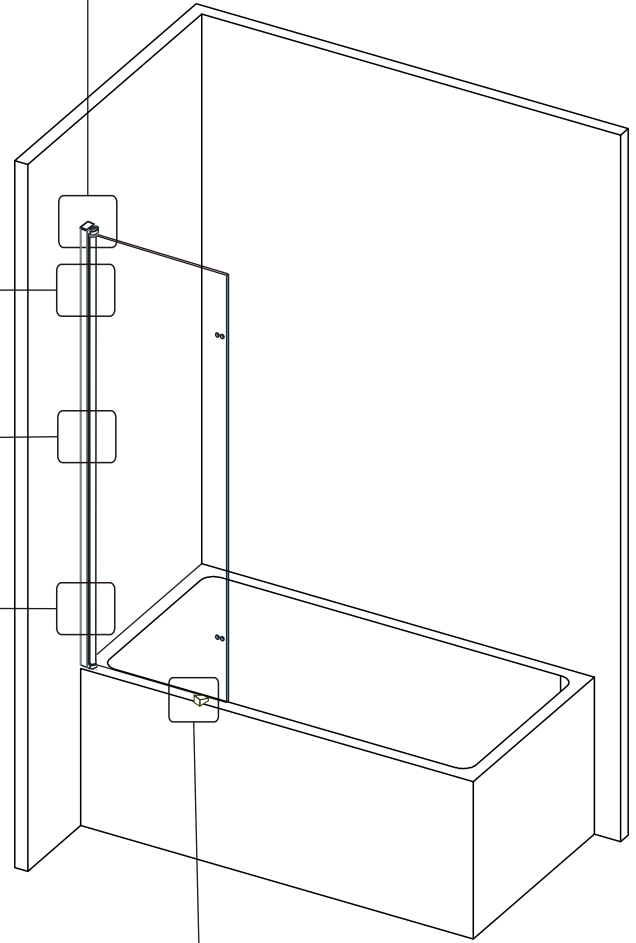
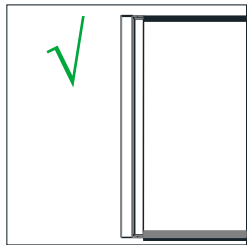
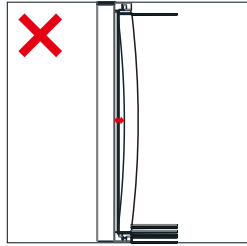
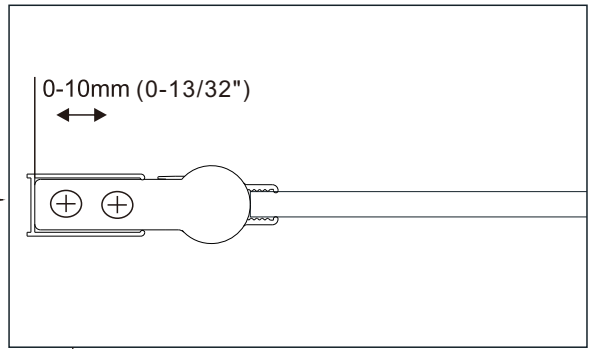
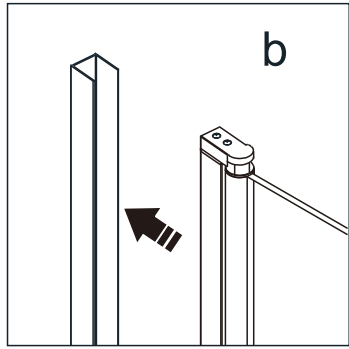
1	 x4 ST3.5*25
2	 x1
5	 x1
10	 1
11	 x1
12	 x1



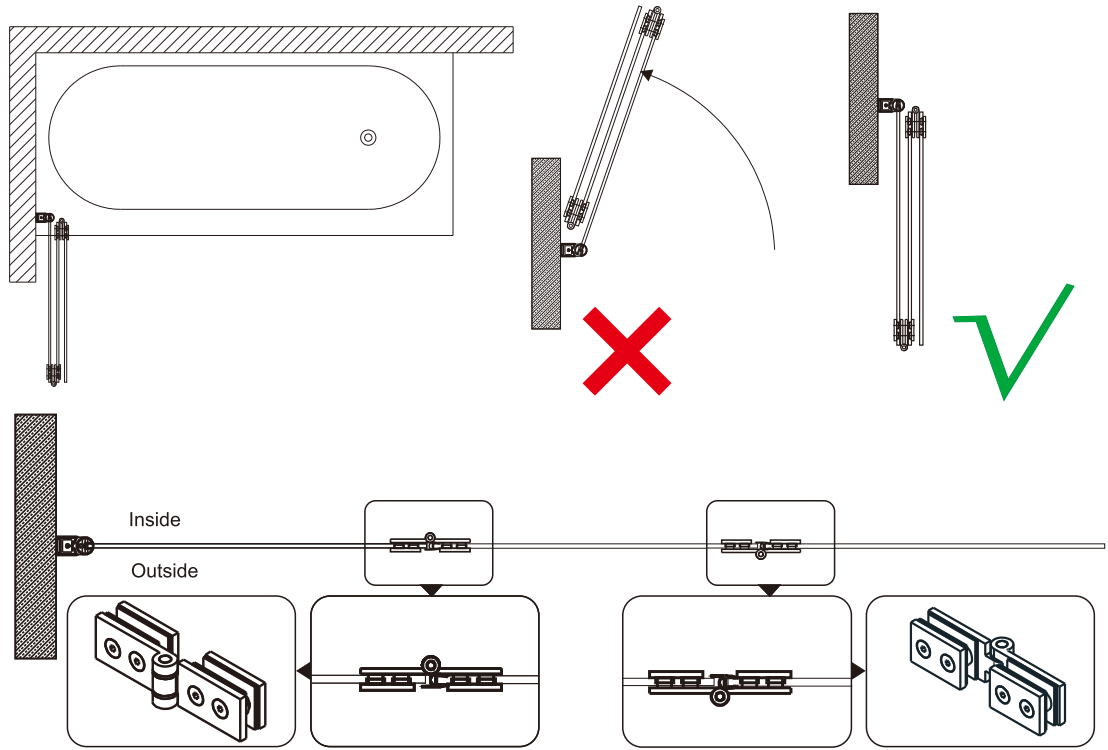
# 04

## Assembly

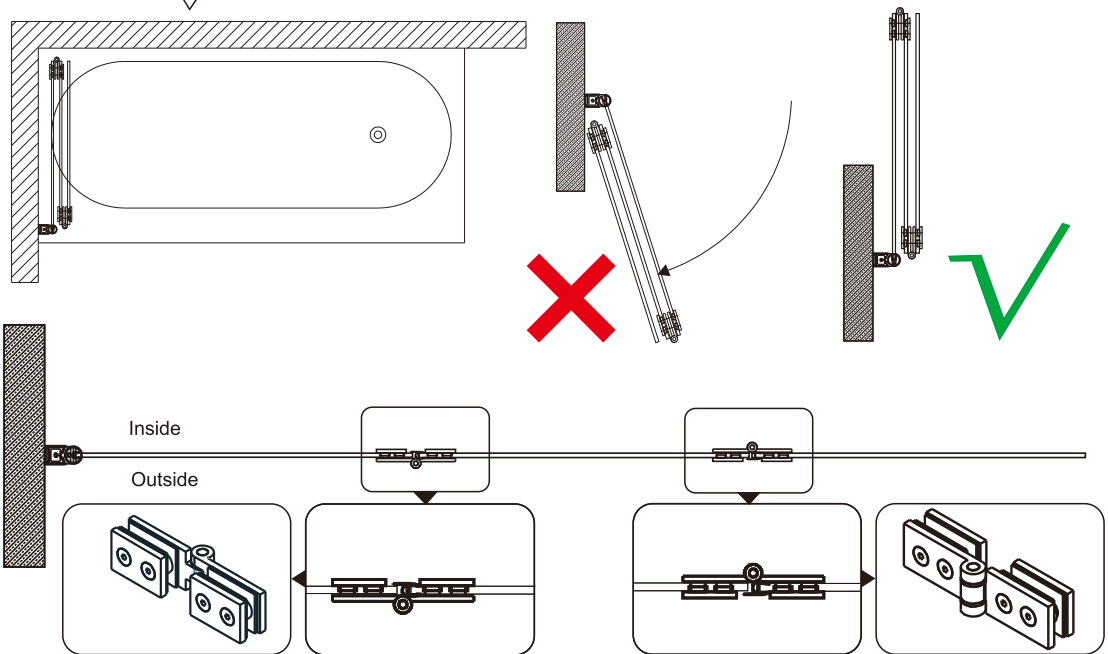
7		x3
8		x3
9		x3 ST4*12
23		x1

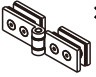


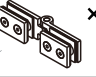




Method 1: The bathtub screen can be completely folded 90 ° outwards, but not completely folded inwards.

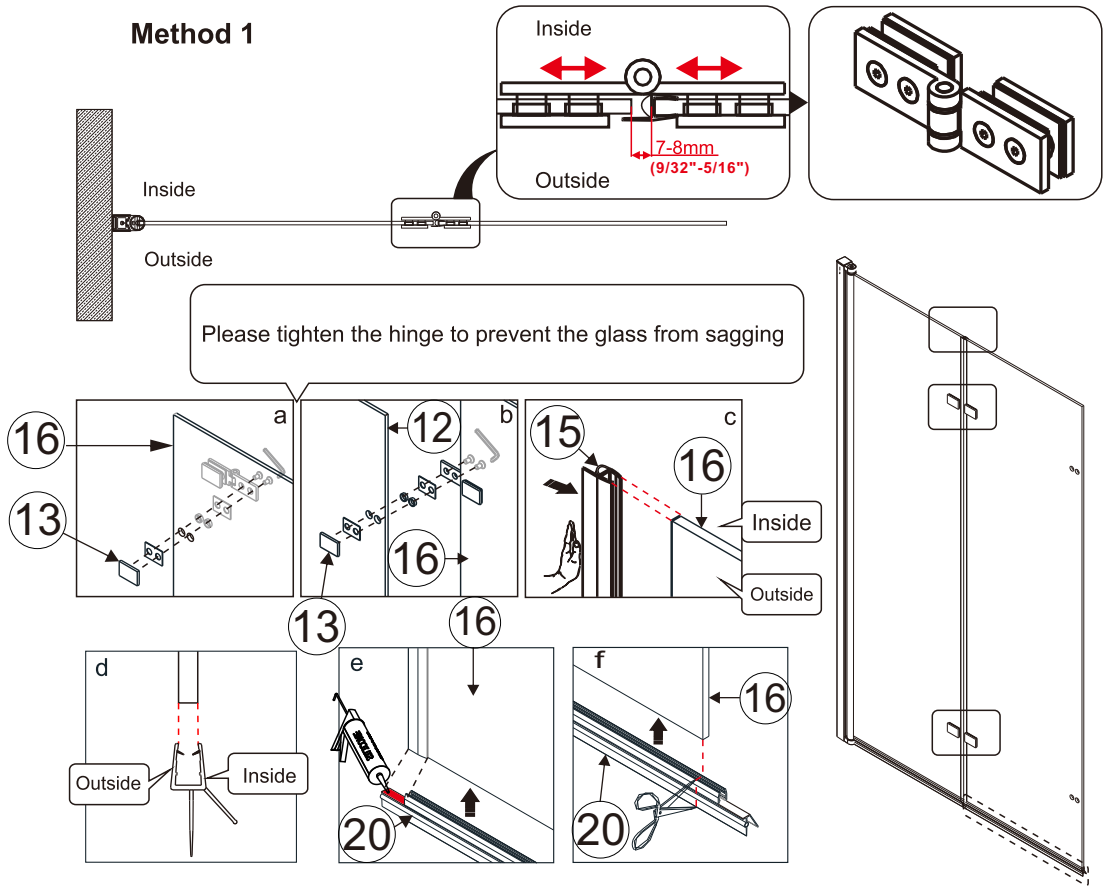


Method 2: The bathtub screen can be completely folded 90 ° inwards, but not completely folded outwards.

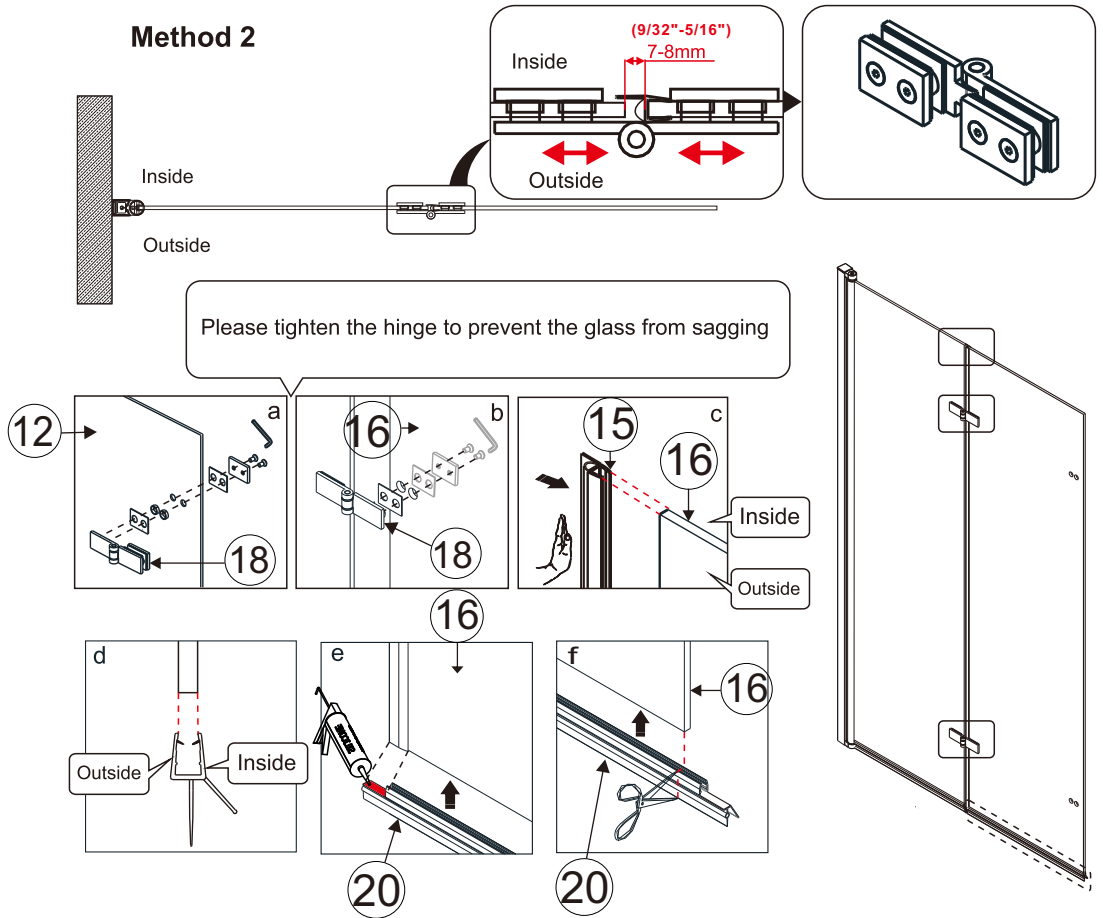


- 13  x2
- 15  x2
- 16  x1
- 18  x2
- 20  x2
- 21  x1

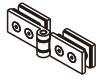


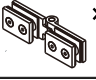


**Method 1**

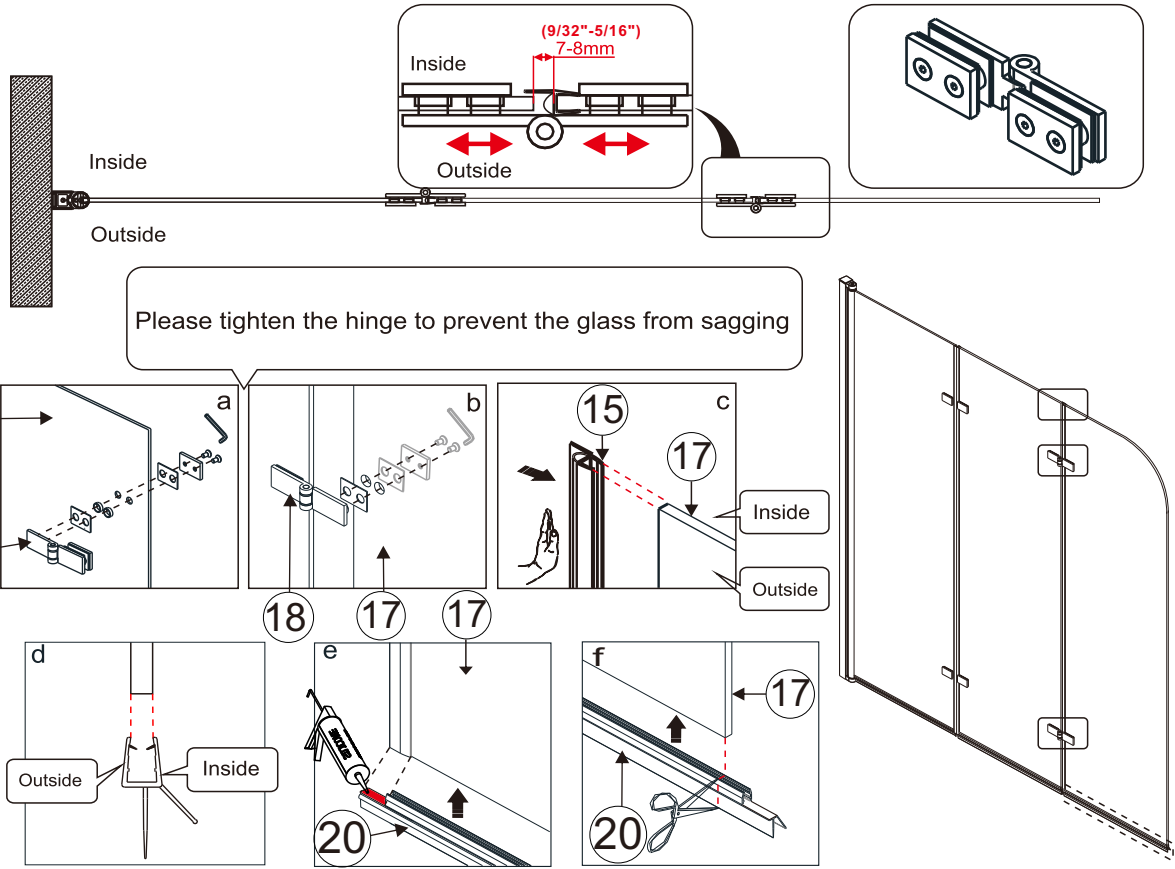


**Method 2**

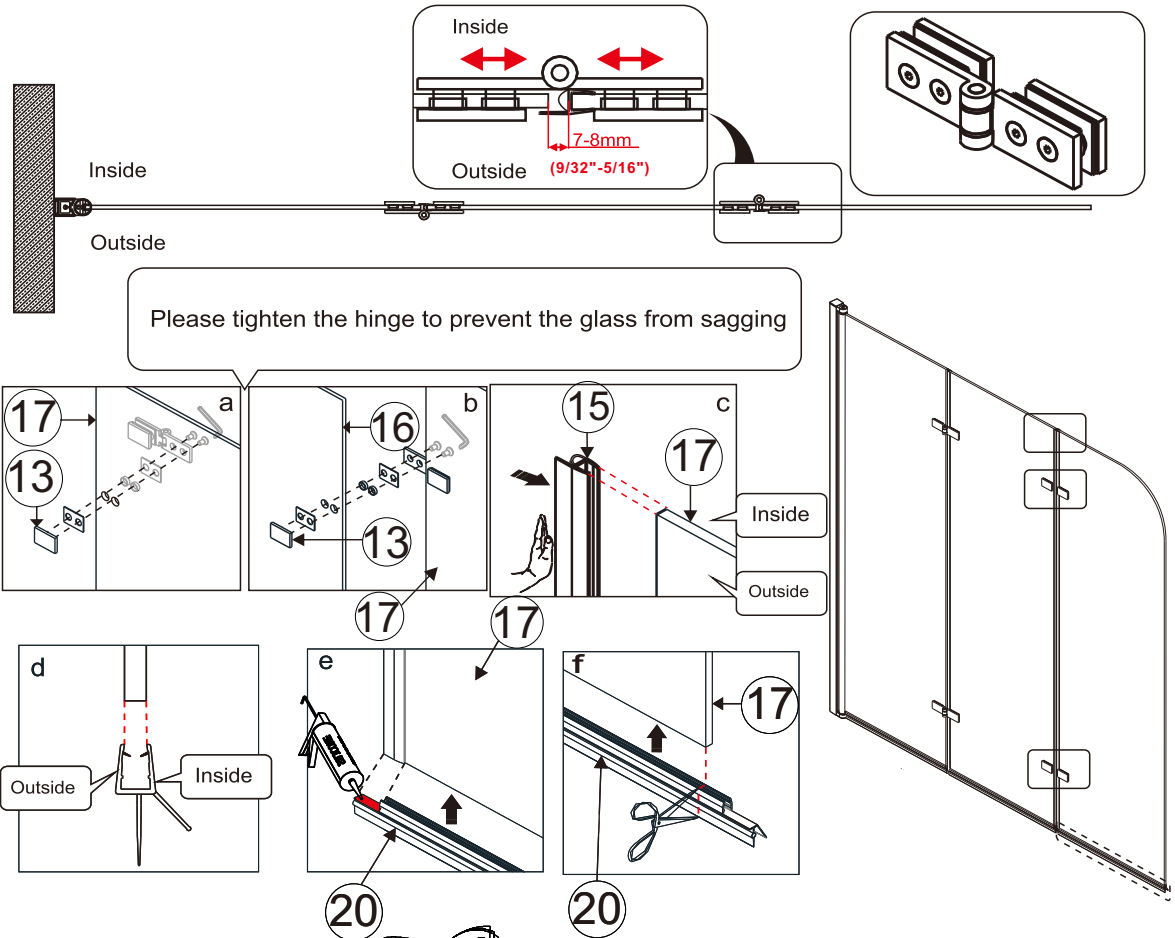



Method 1

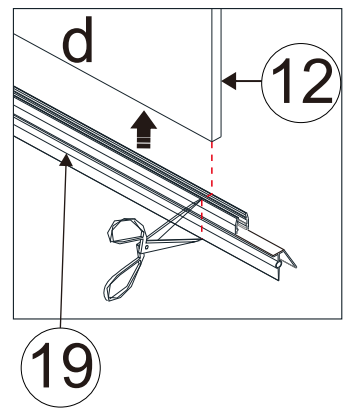
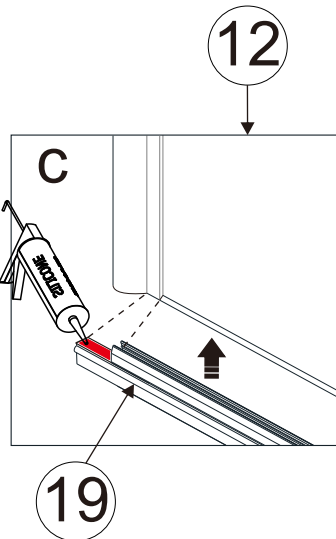
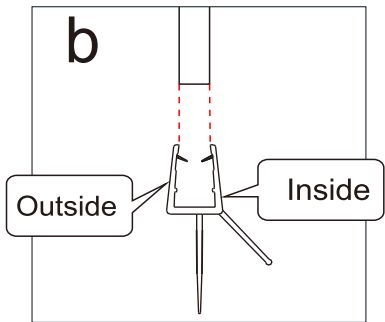
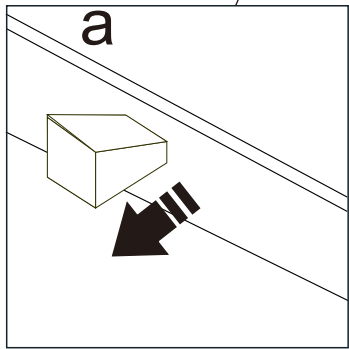
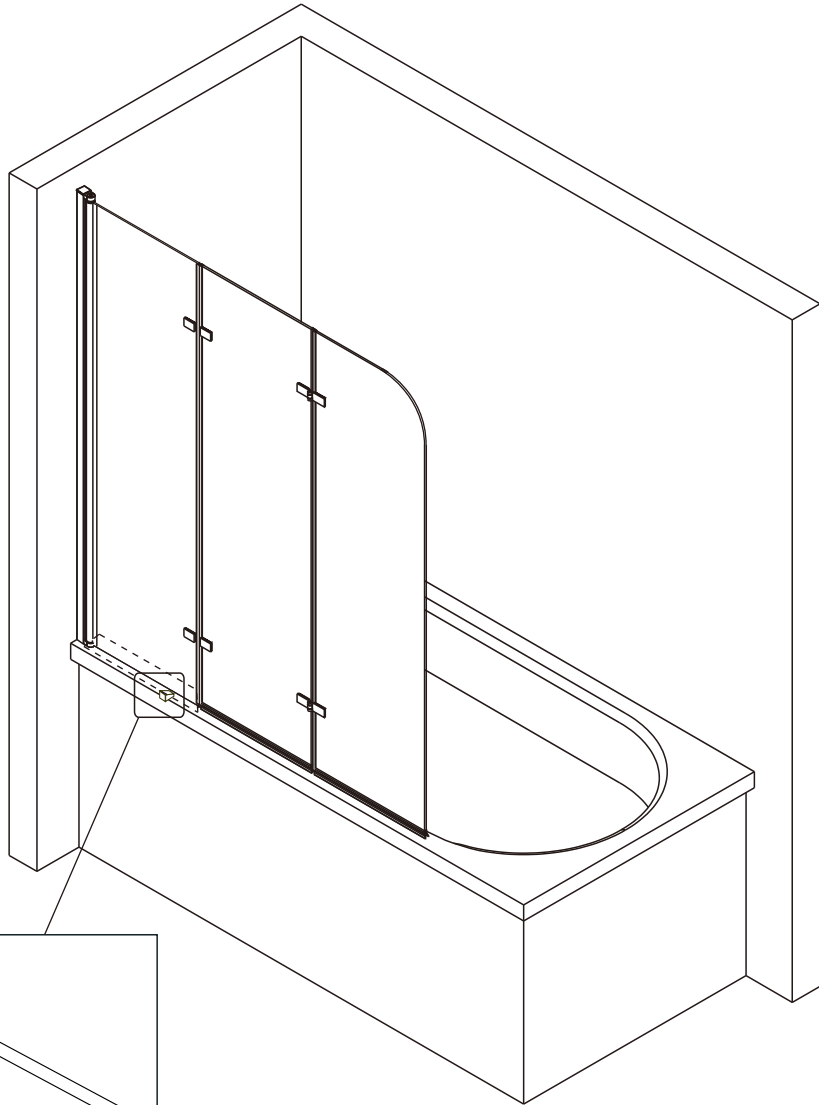
- 13  x2
- 15  x2
- 17  x1
- 18  x2
- 20  x2
- 21  x1



Method 2

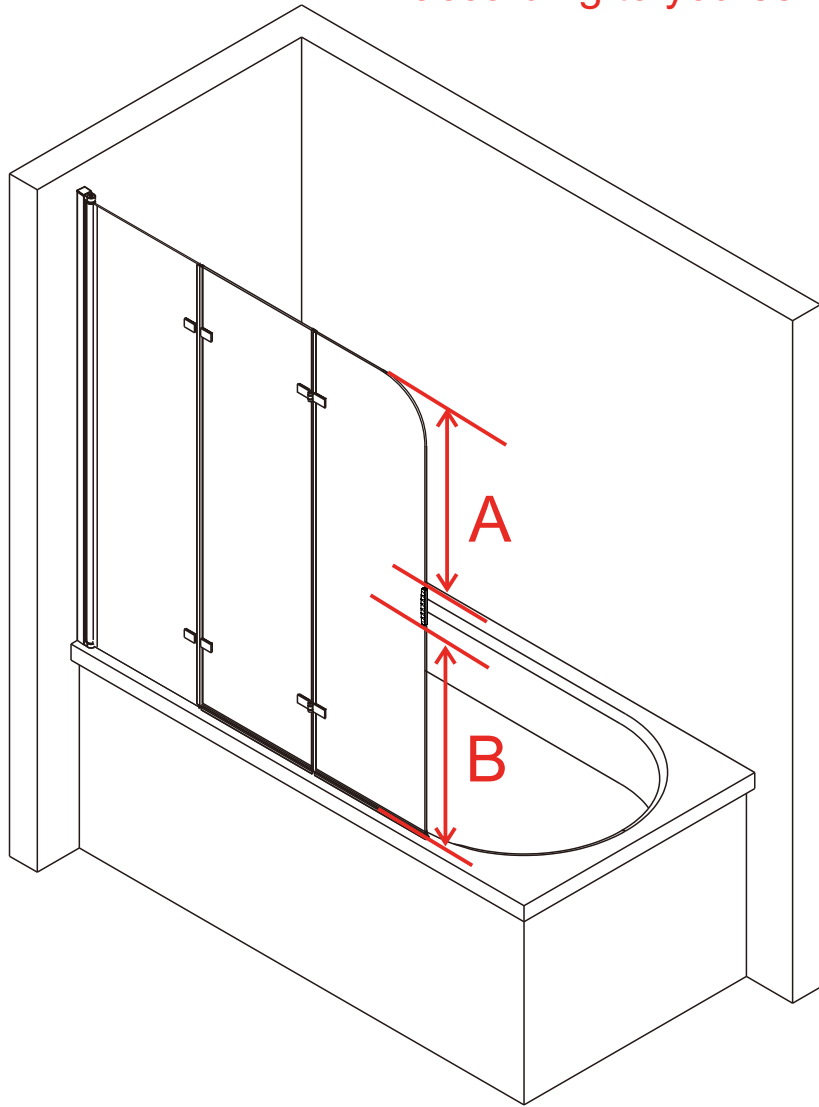


19  x1

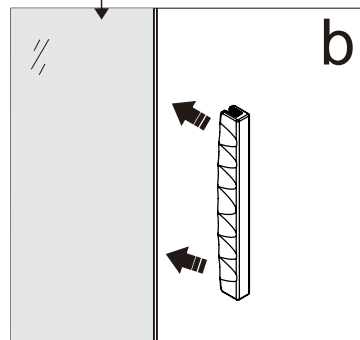
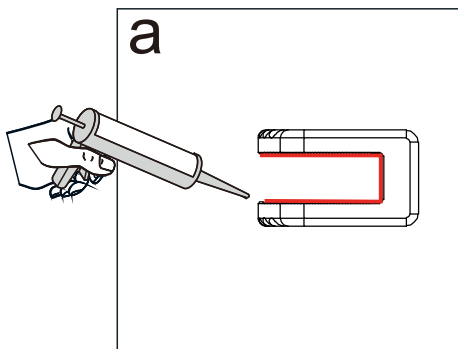


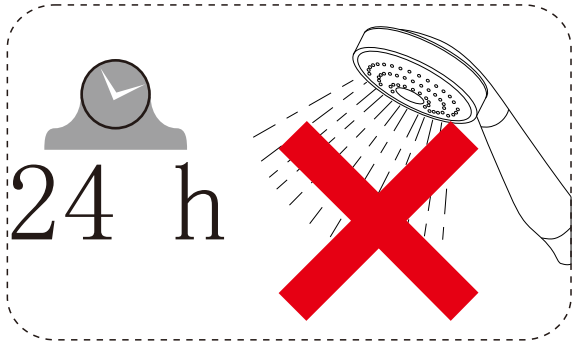
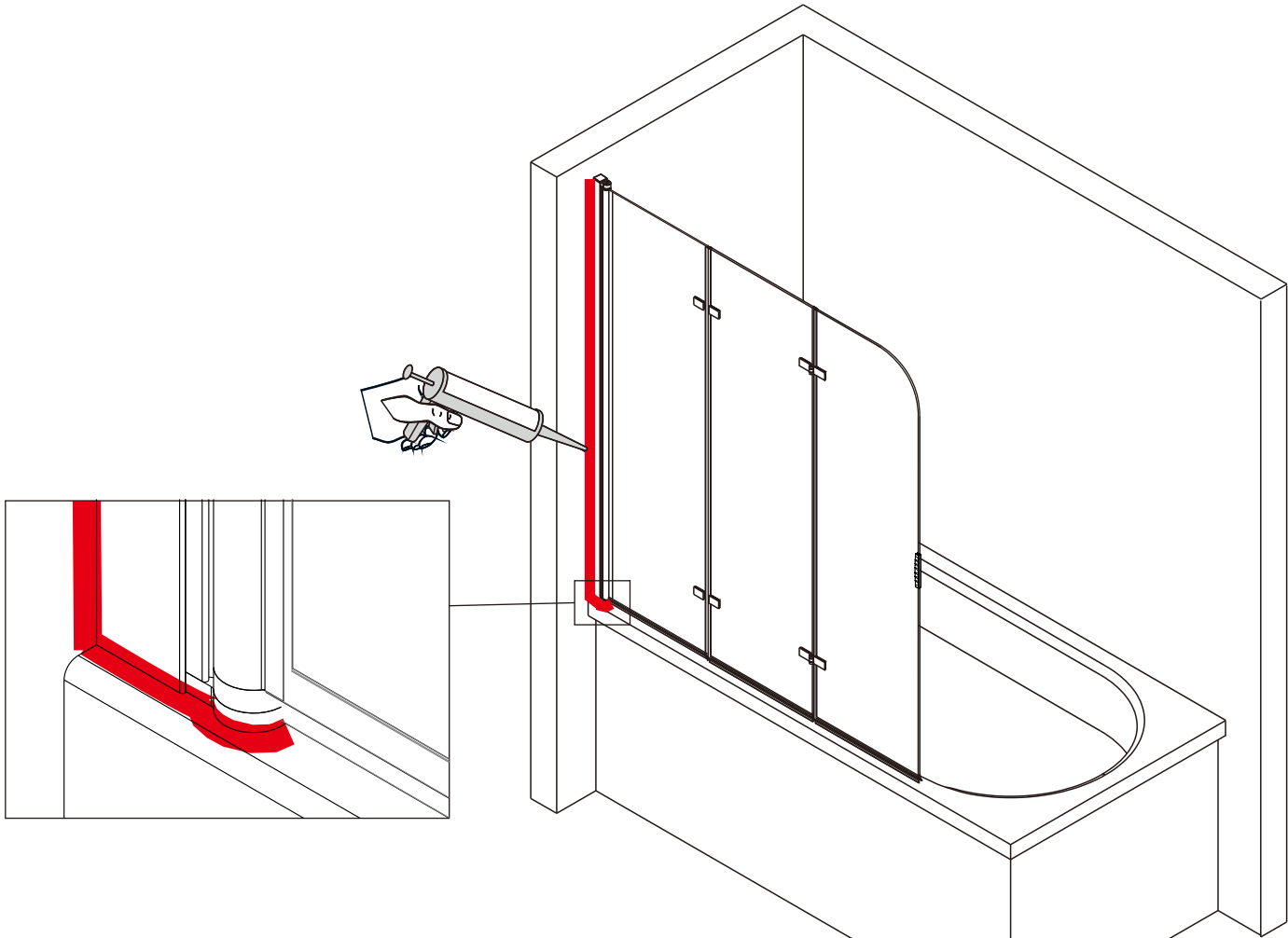
- ① A=B
- ② Set the height of the handle according to yourself

24 x1

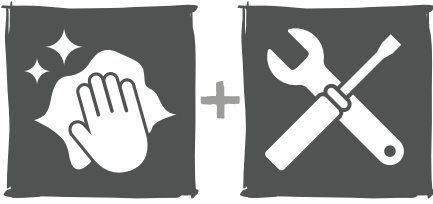


17





Do not use the shower enclosure for at least 24 hours in order to allow the silicone sealant to cure fully.



## The golden rules for care

**NOTE:** Use warm soapy water and a soft damp cloth to keep the glass clean. Wipe dry with a clean cloth. Glass cleaner can be used if required. Scourers, abrasives and chemical cleaners can damage the glass and pattern, and should not be used.

In hard water areas, insoluble lime salts may be deposited on the glass. If this is allowed to build up it becomes increasingly difficult to remove and looks unsightly. Regular cleaning will minimize this effect.

- Do not attempt to cut the glass.
  - Do not strike the glass with hard or pointed items.
  - Regularly check moving parts such as rollers and hinges to ensure they are secure and adjusted correctly. Tighten and adjust where required. Also check all sealed joints to ensure seal has not deteriorated. Re-seal if required.
-