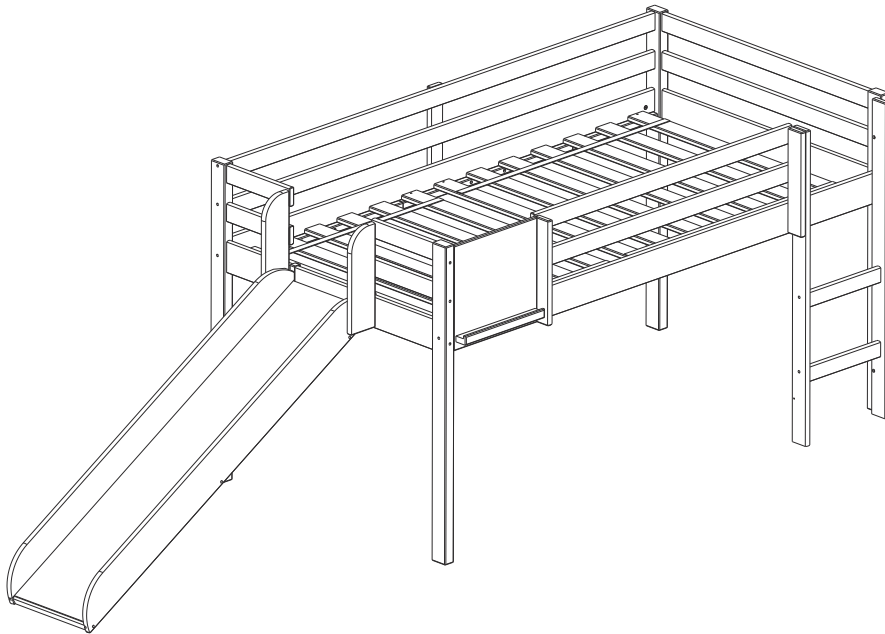


# Slide Loft Bed



## Assembly Instructions

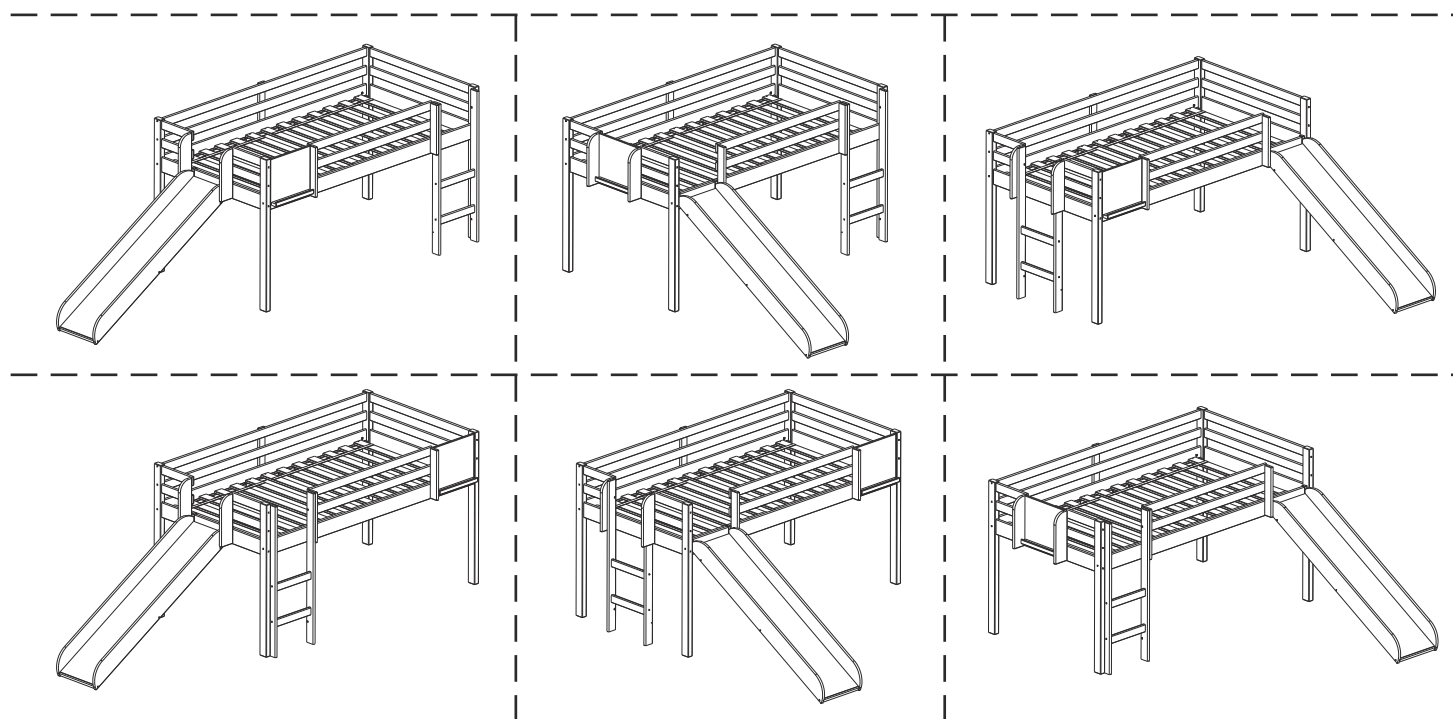
Product Dimensions:  
127" L x 43" D x 44" H

Please take a moment to read through the entire instruction booklet before assembly to familiarize yourself with this product. Once you feel ready to start, follow the instructions step by step and this should make this process as easy as we could make it for you.

If you need help or have damaged or missing parts, contact customer service

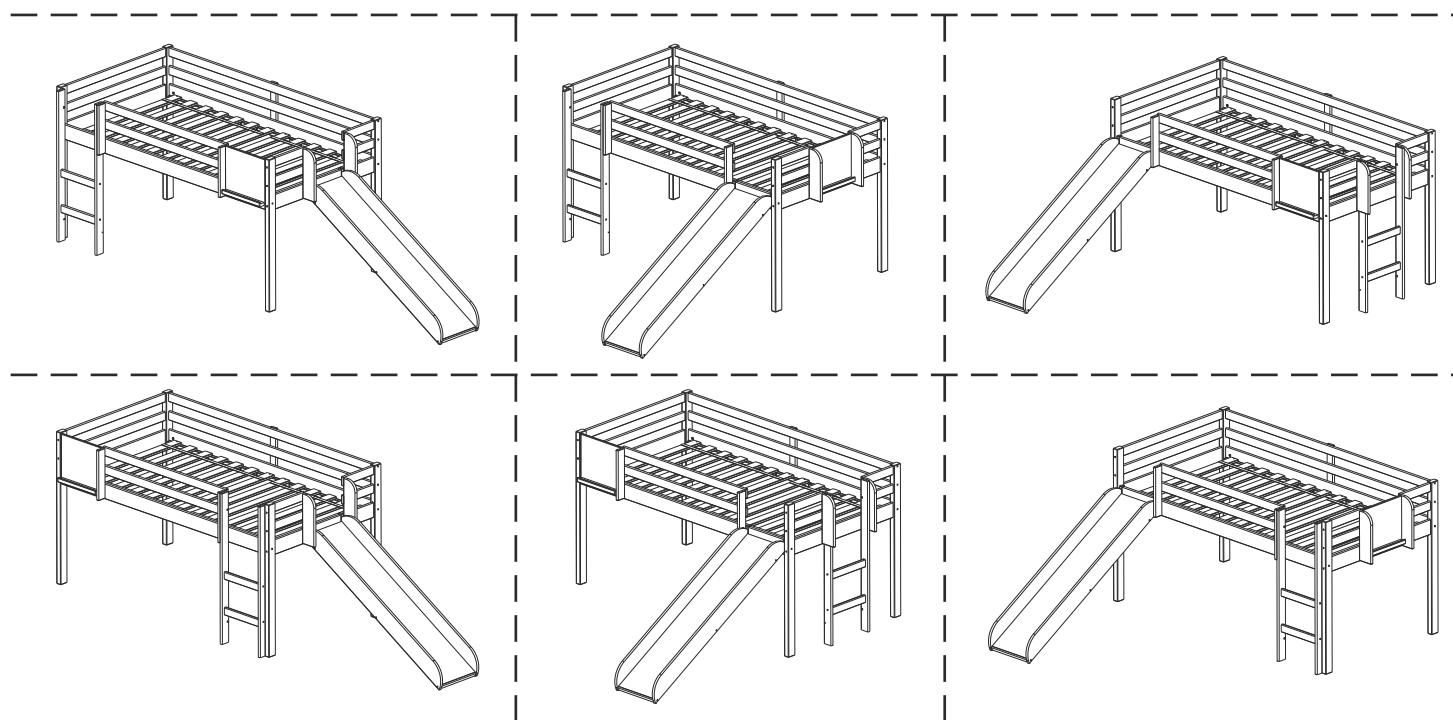
**\* Start on page # 9 for this configuration options.**

**CONFIGURATION OPTIONS 1 - LADDER / BLACKBOARD / SLIDE**



**\* Start on page # 13 for this configuration options.**

**CONFIGURATION OPTIONS 2 - LADDER / BLACKBOARD / SLIDE**



**KEEP THESE INSTRUCTIONS FOR FUTURE REFERENCE**

# WARNING CAUTION

## **ADULT ASSEMBLY REQUIRED** **CHOKING HAZARD**

- This product includes small parts, sharp points and sharp edges in its unassembled state. Keep unassembled parts away from children under 3 years of age, and animals.

## **STRANGULATION HAZARD**

- Never attach or hang items to any part of the loft bed that are not designed for use with the bed; for example, but not limited to hooks, belts, and jump ropes.

## **SIZE OF MATTRESS**

- A twin size mattress of 75" Length x 39" Width x 7.5" Thickness ( 190.5 x 96.5 x 19.5 cm) is recommended. Surface of mattress must be at least 5 inches (12.7 cm) below upper edge of guardrails. Maximum mattress and foundation combined thickness of 7.5 inches ( 19.5 cm)

## **SAFETY WARNINGS**

- Follow the information on the warnings appearing on the loft bed end structure and on the carton. Do not remove warning label from bed.
- Always use the recommended size mattresses or mattress supports, or both, to help prevent the likelihood of entrapment or falls.
- Surface of mattress must be at least 5 inches (127 mm) below upper edge of guardrails.
- Do not allow children under 3 years of age to use the loft bed.
- Do not use substitute parts. Contact the manufacturer or dealer for replacement parts.
- Use of a night light may provide added safety precaution for a child using the loft bed.
- Always use guardrails on both long sides of the loft bed. If the loft bed will be placed next to the wall, the guardrail that runs the full length of the bed should be placed against the wall to prevent entrapment between the bed and wall.
- The use of water or sleep flotation mattresses is prohibited.

## **PARENTAL SUPERVISION IS REQUIRED**

- This product is intended for child use age 3+.
- Parents or Guardians should supervise use under the intended age specifically regarding children that may have access to it and climb on the unit.
- Do not allow horseplay on or under the bed and prohibit jumping on the bed.
- If used improperly, your low loft bed may be pulled over or fall, creating risk of injury or damage. Children should not be permitted to climb or pull on the low loft bed.
- Always use the ladder for entering or exiting the loft bed.

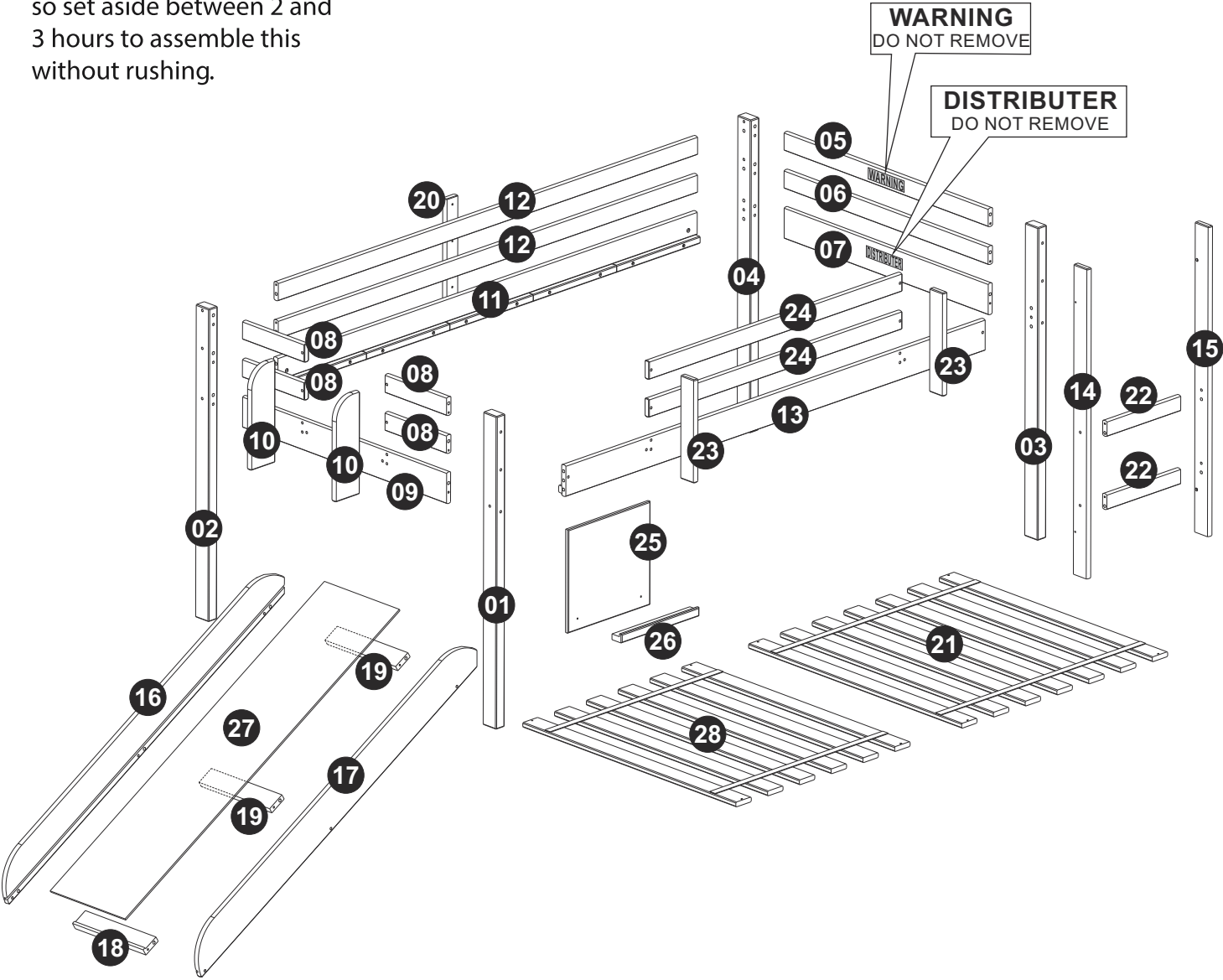
## **USE, MAINTENANCE & ASSEMBLY**

- Periodically check and ensure that the guardrail, ladder, and other components are in their proper position, free from damage, and that all connectors are tight.
- Use on level surfaces only. Assemble on a soft level surface to avoid damage to unit or floor.
- Do not use this item if any components are missing or damaged.
- Do not use substitute parts. Contact the manufacturer or dealer for replacement parts.
- Only clean using damp cloth and mild detergent, do not use bleach or abrasive cleaners.
- Check you have all components and tools listed on page 4
- Do not stand or put weight on this product during assembly, this could cause damage.
- Remove all hardware from the plastic bags and separate them into groups.
- Assemble the item as close to its final position (in the same room) as possible.
- Certain assembly steps may be easier with 2 people.
- Dispose of all packaging carefully and responsibly.
- We do not recommend power screwdrivers. Only use hand screwdrivers to prevent damage to unit.

# ASSEMBLY AT A GLANCE

Please take a moment to read through the whole instruction booklet before assembly to familiarize yourself with this product. Once you feel ready to start, follow the instructions step by step and this should make this process as easy as we could make it for you.

Due to the number of parts involved assembly can take a few hours so set aside between 2 and 3 hours to assemble this without rushing.



This drawing is to give you an overall idea only of how this assembly will go together and does not replace the assembly instructions.

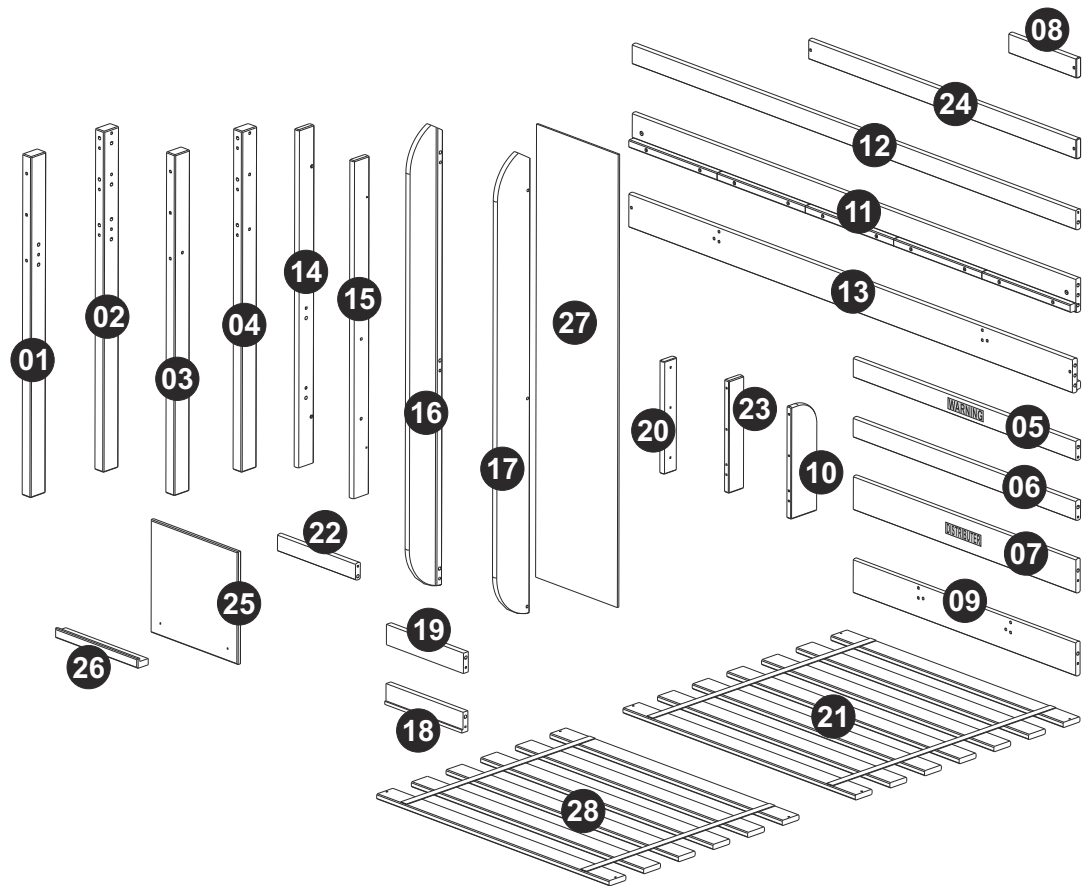
# COMPONENT PARTS

Please check that you have all the parts listed below

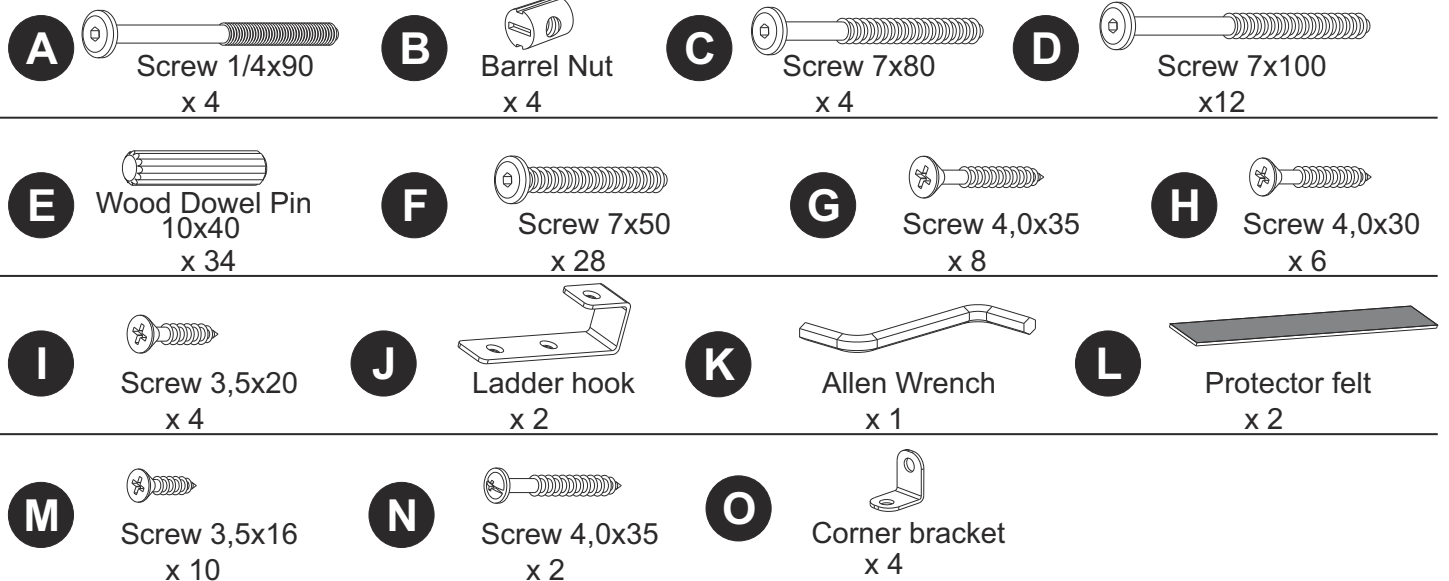
\*Note: follow the setup of Option 1 for ladder right configurations or Option 2 for ladder left configuration.

Each leg is unique.

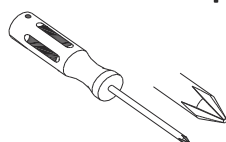
1. Leg x1
2. Leg x1
3. Leg x1
4. Leg x1
5. End Rails x1
6. End Rails x1
7. End Rails x1
8. End Rails x4
9. End Rails x1
10. Rail support x2
11. Ladder side rails x1
12. No ladder side rails x2
13. Ladder side board x1
14. Left ladder rail x1
15. Right ladder rail x1
16. Left slide rail x1
17. Right slide rail x1
18. Lower slide support x1
19. Slide support x2
20. Rail support x1
21. Bed slats x1
22. Ladder rung x2
23. Rails support x2
24. End Rails x2
25. Blackboard x1
26. Blackboard support x1
27. Base slide x1
28. Bed slats x1



## ASSEMBLY HARDWARE



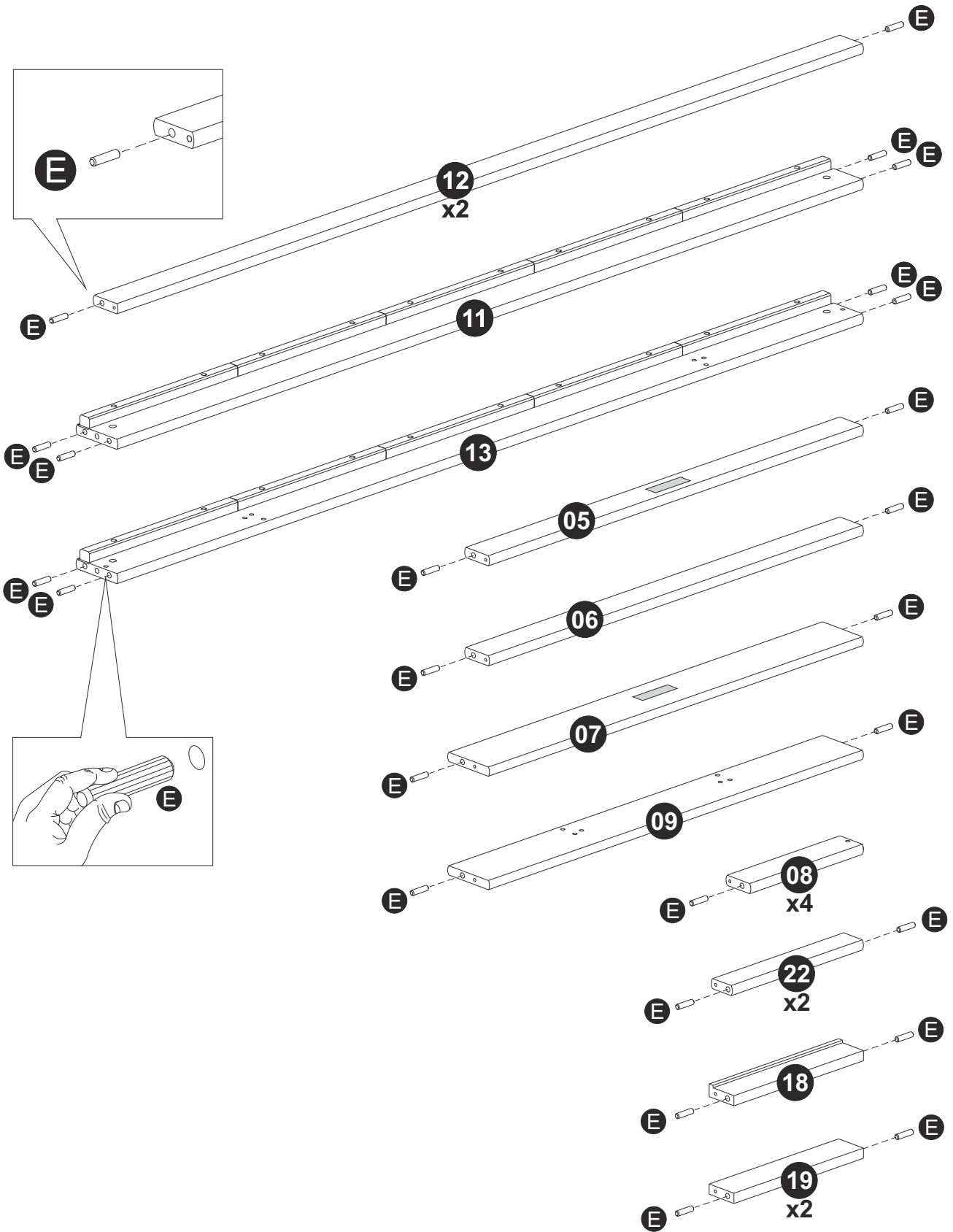
## TOOLS REQUIRED



Phillips Screwdriver  
(Medium)

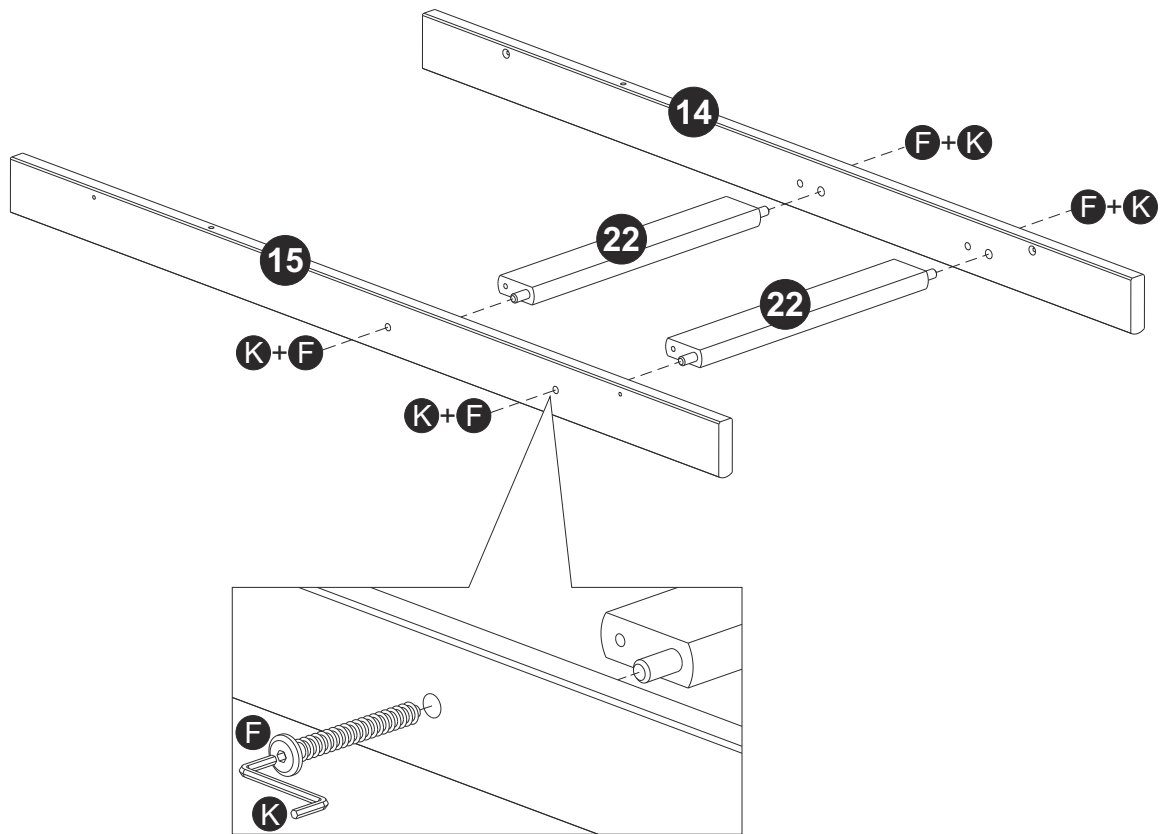
1

# ASSEMBLY INSTRUCTIONS



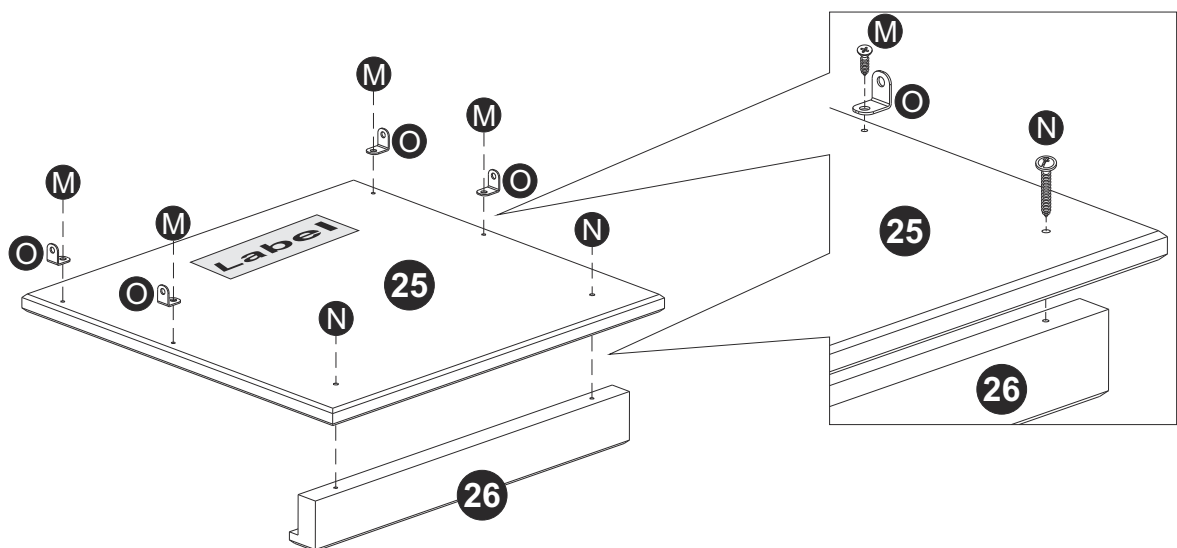
2

## ASSEMBLY OF THE LADDER



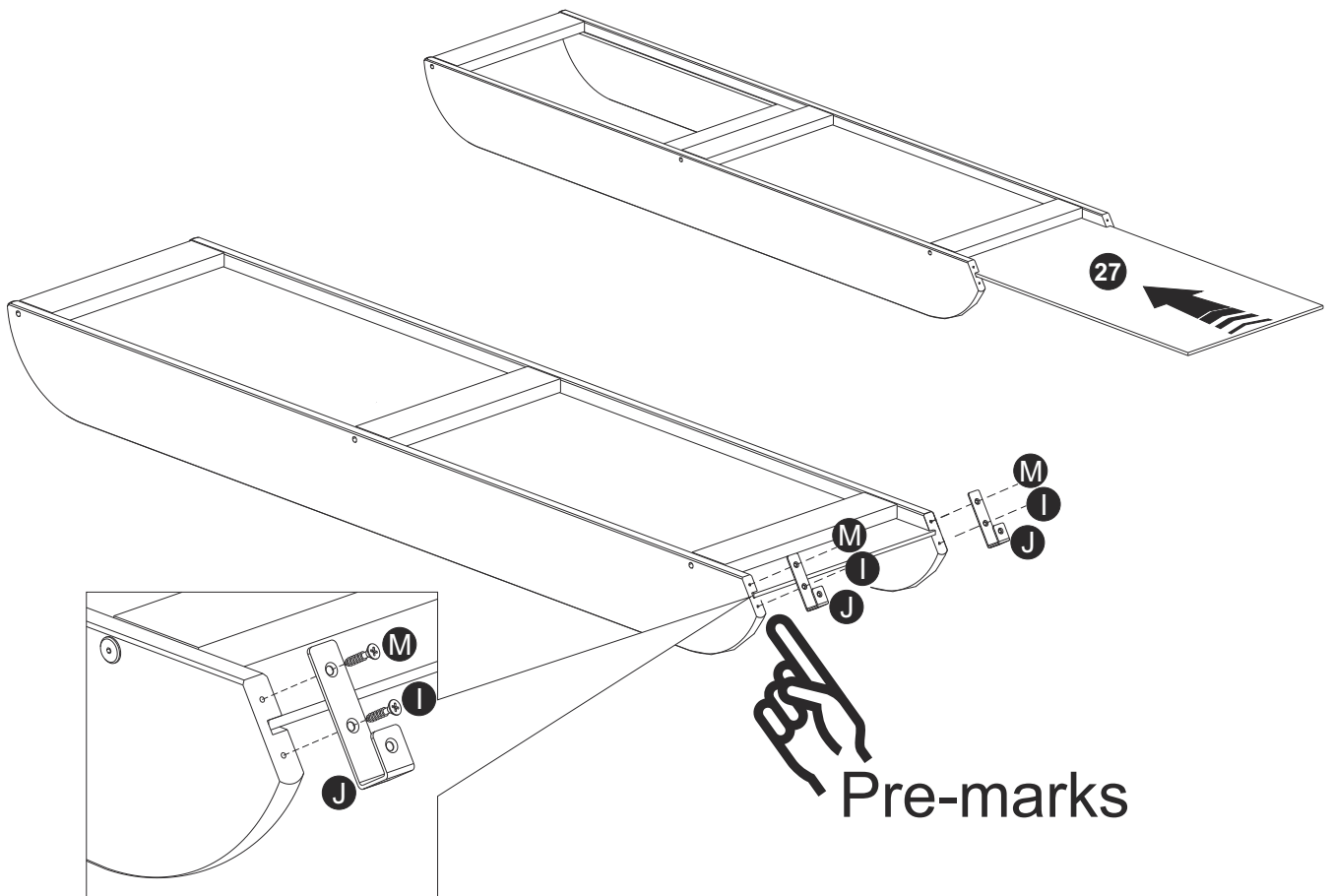
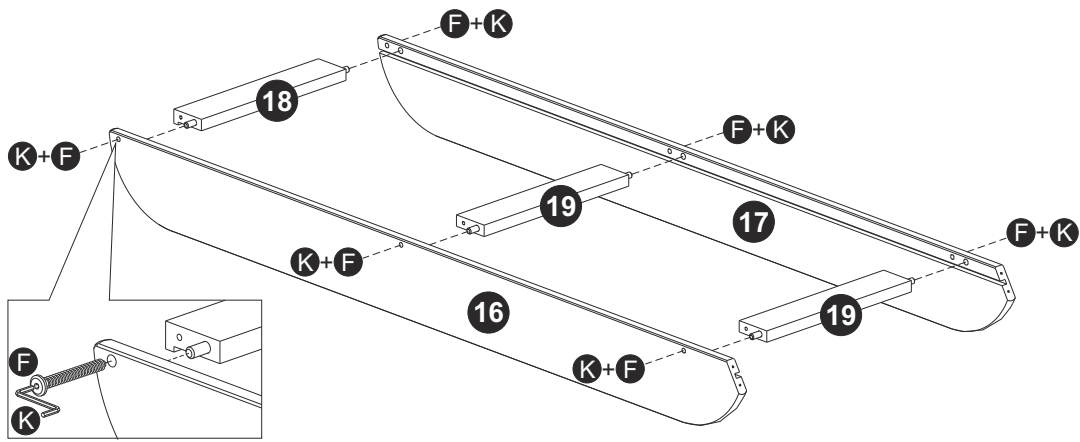
3

## ASSEMBLY OF THE CHALKBOARD



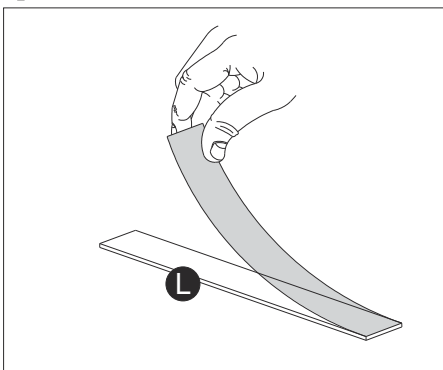
4

# ASSEMBLY OF THE SLIDE

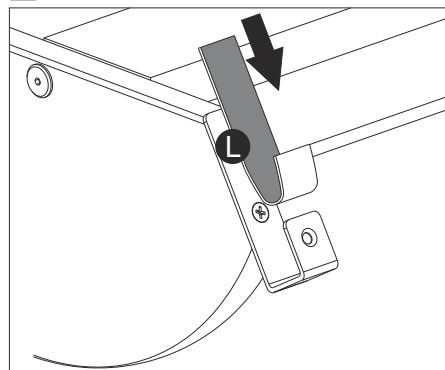


Pre-marks

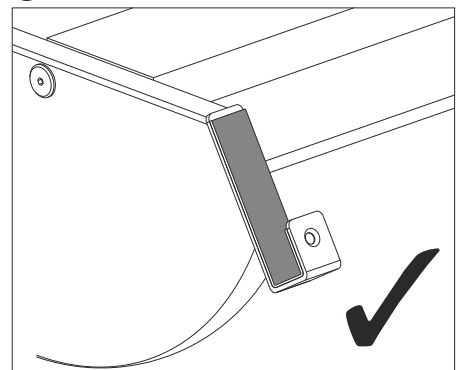
1°



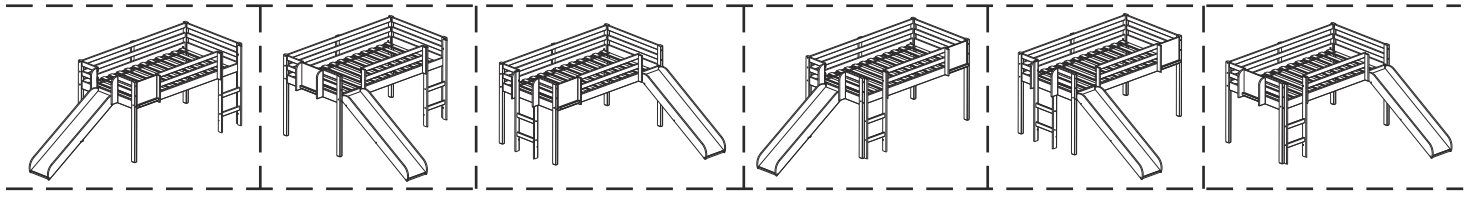
2°



3°

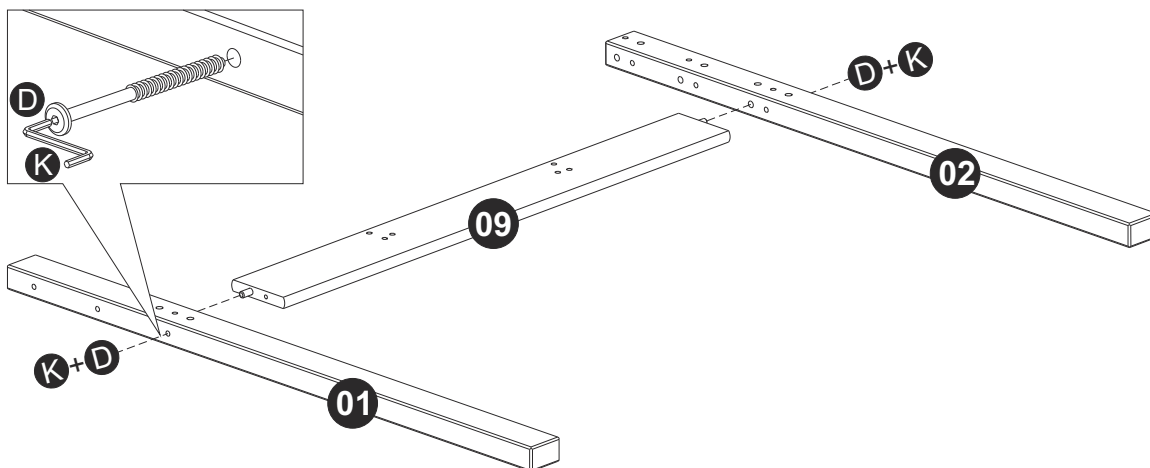
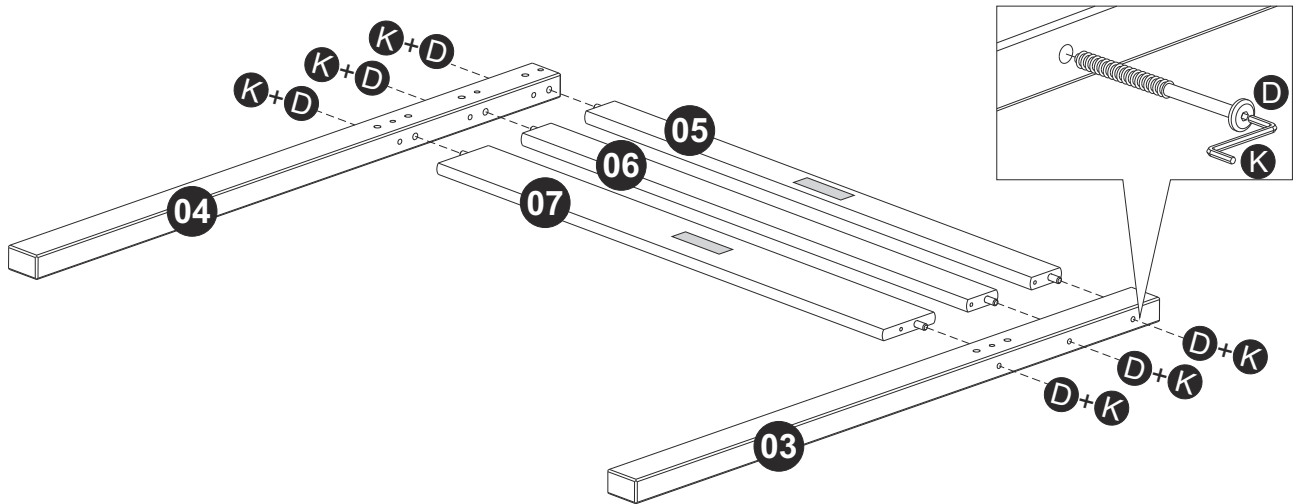


# CONFIGURATION OPTIONS 1 - LADDER / BLACKBOARD / SLIDE



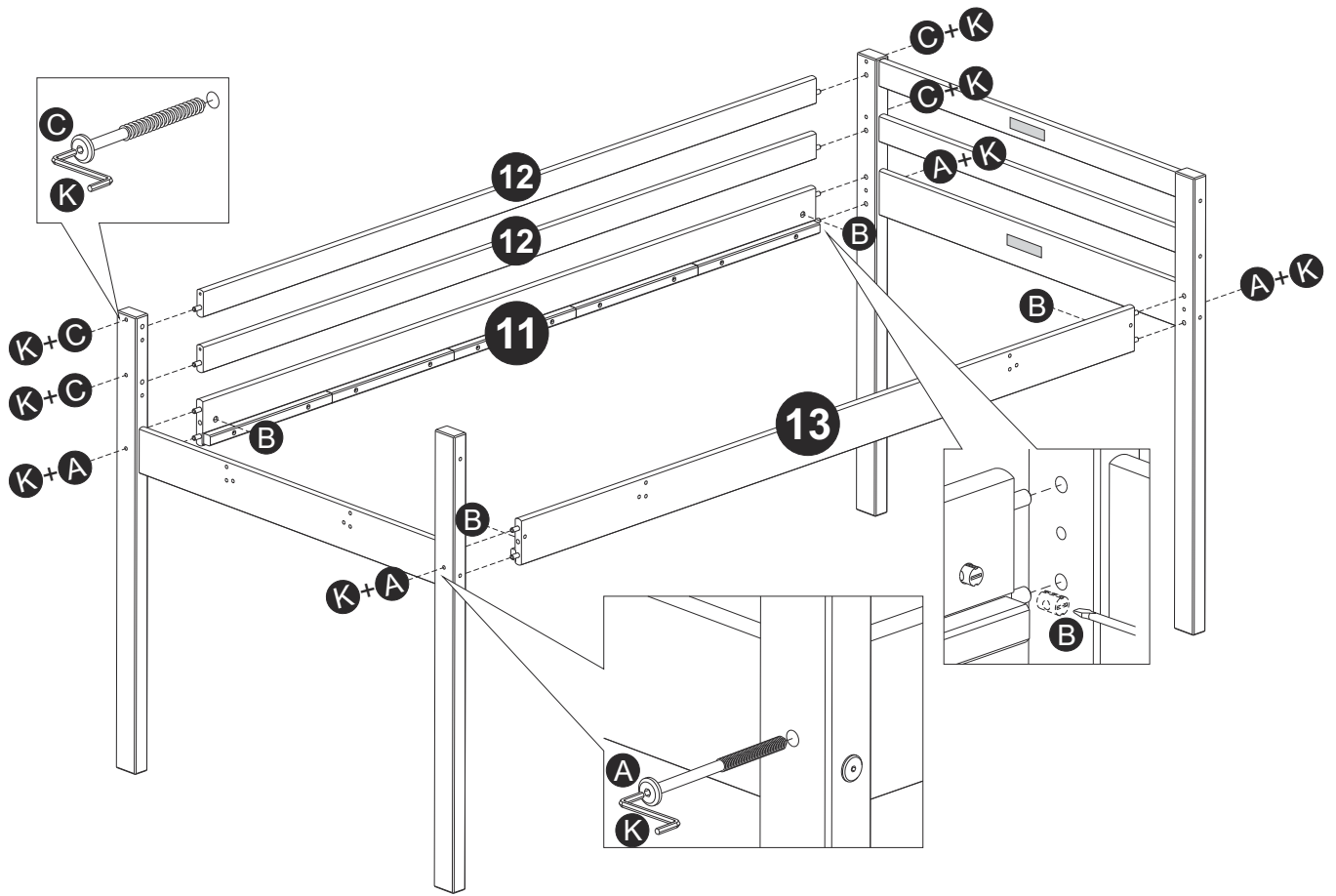
5

## ASSEMBLY OF THE HEADBOARDS OPTION 01

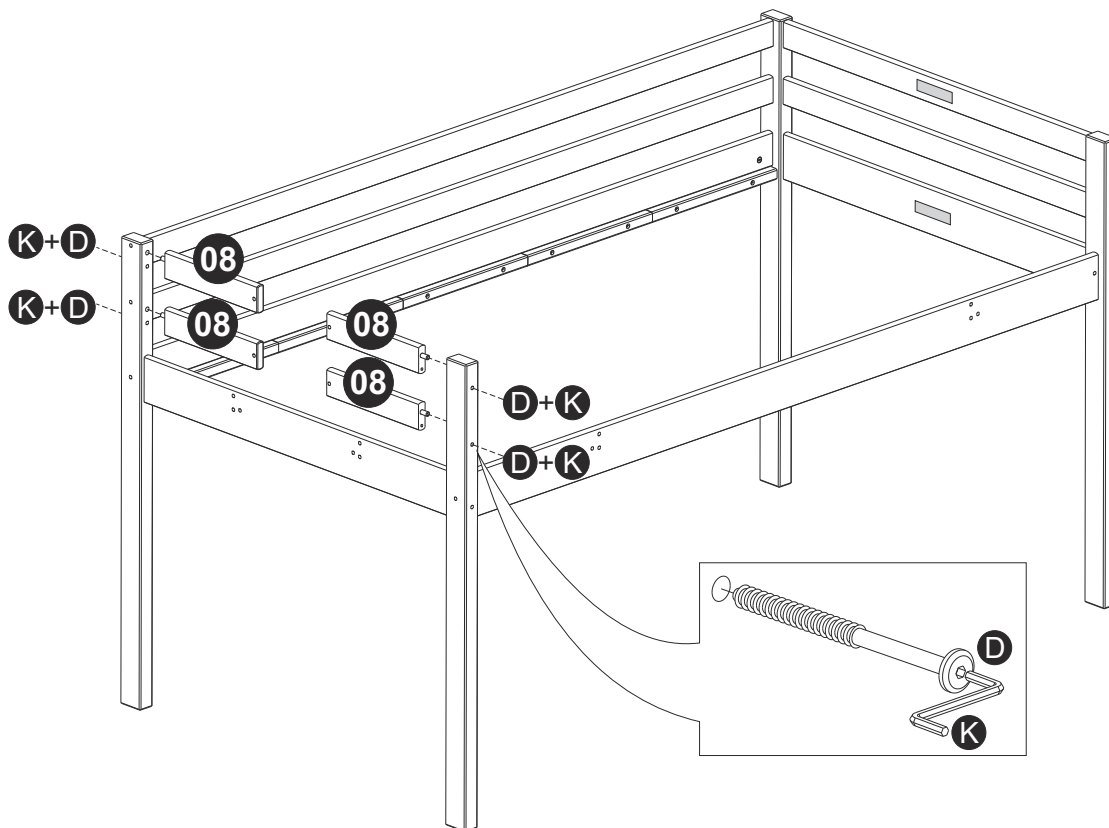


6

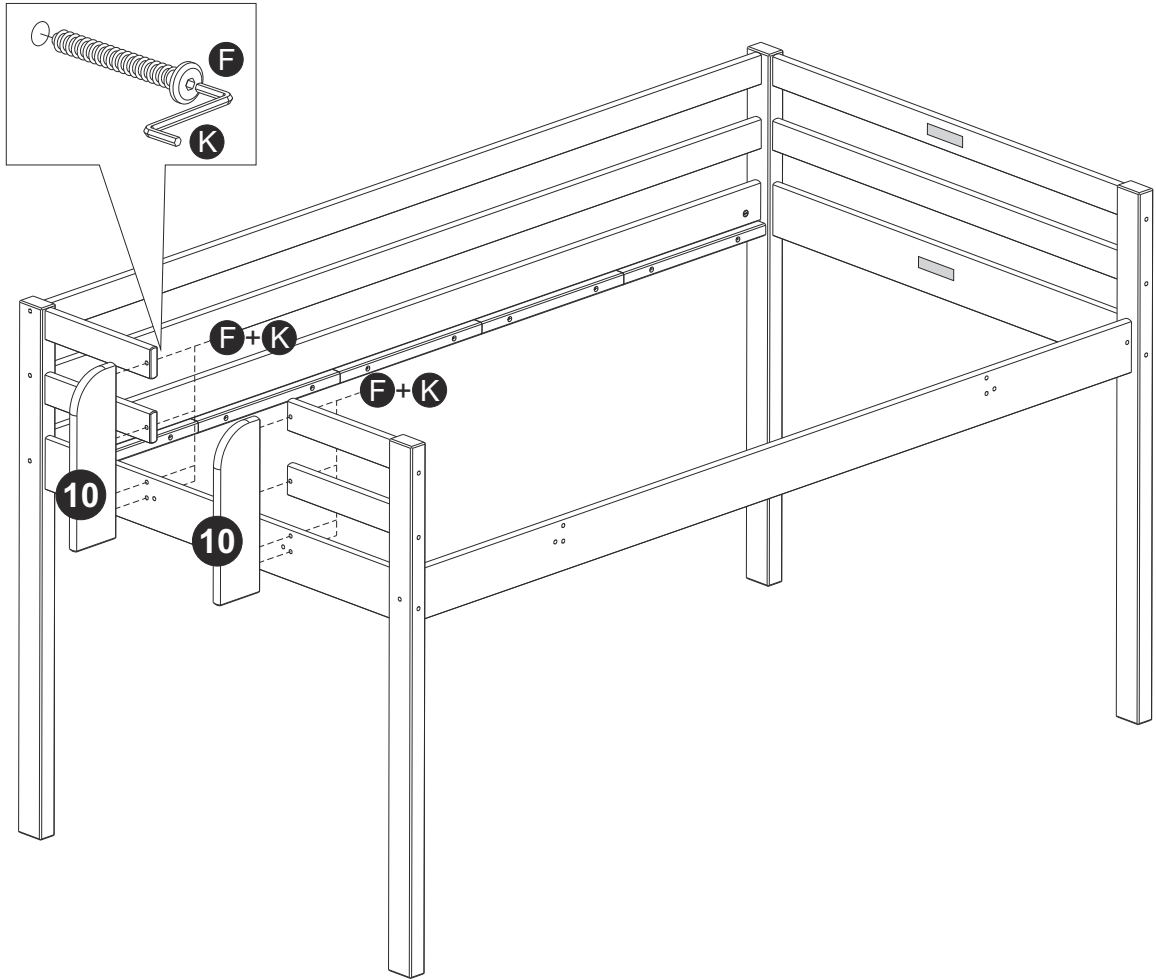
# ASSEMBLY INSTRUCTIONS OPTION 01



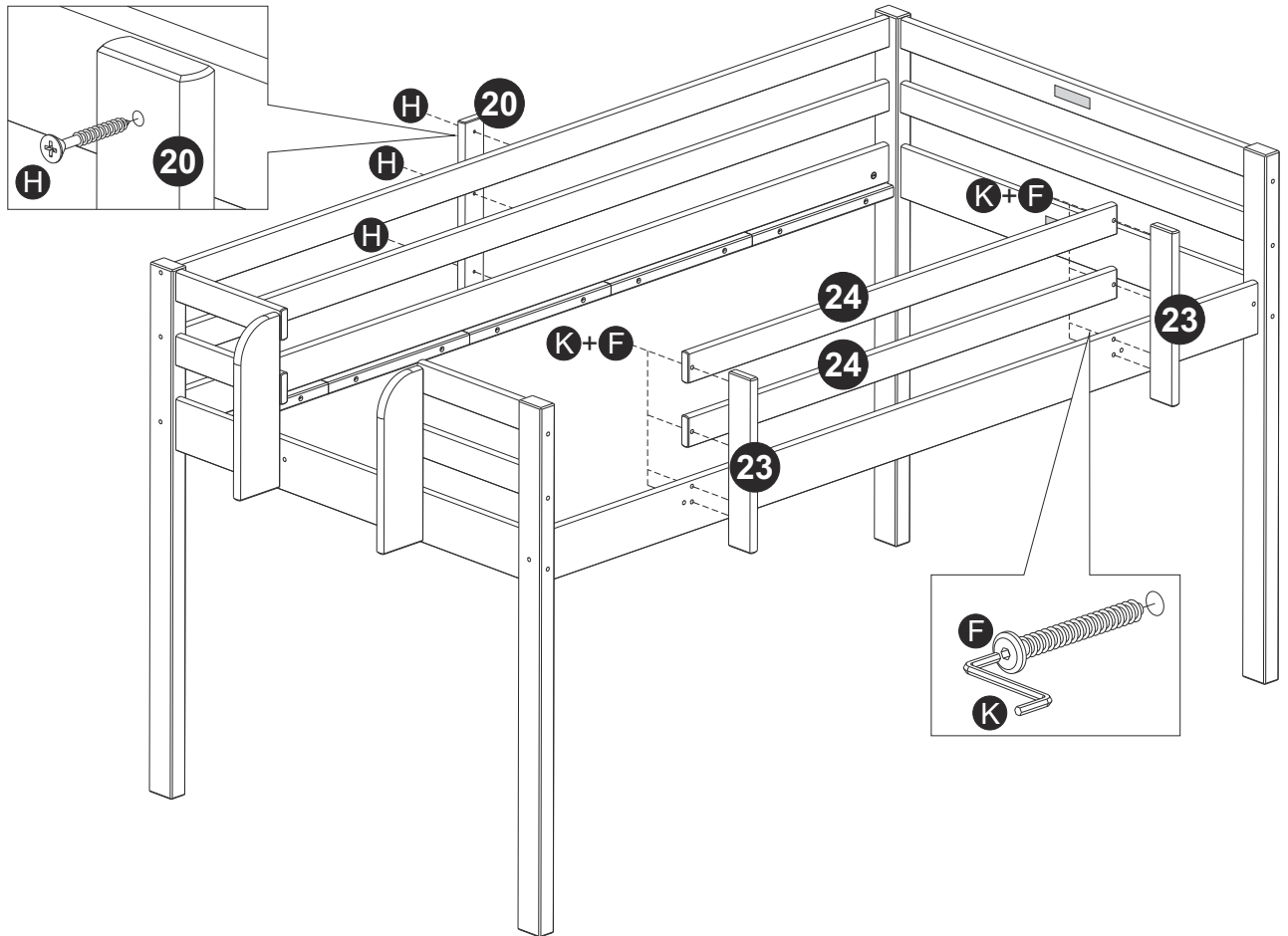
7



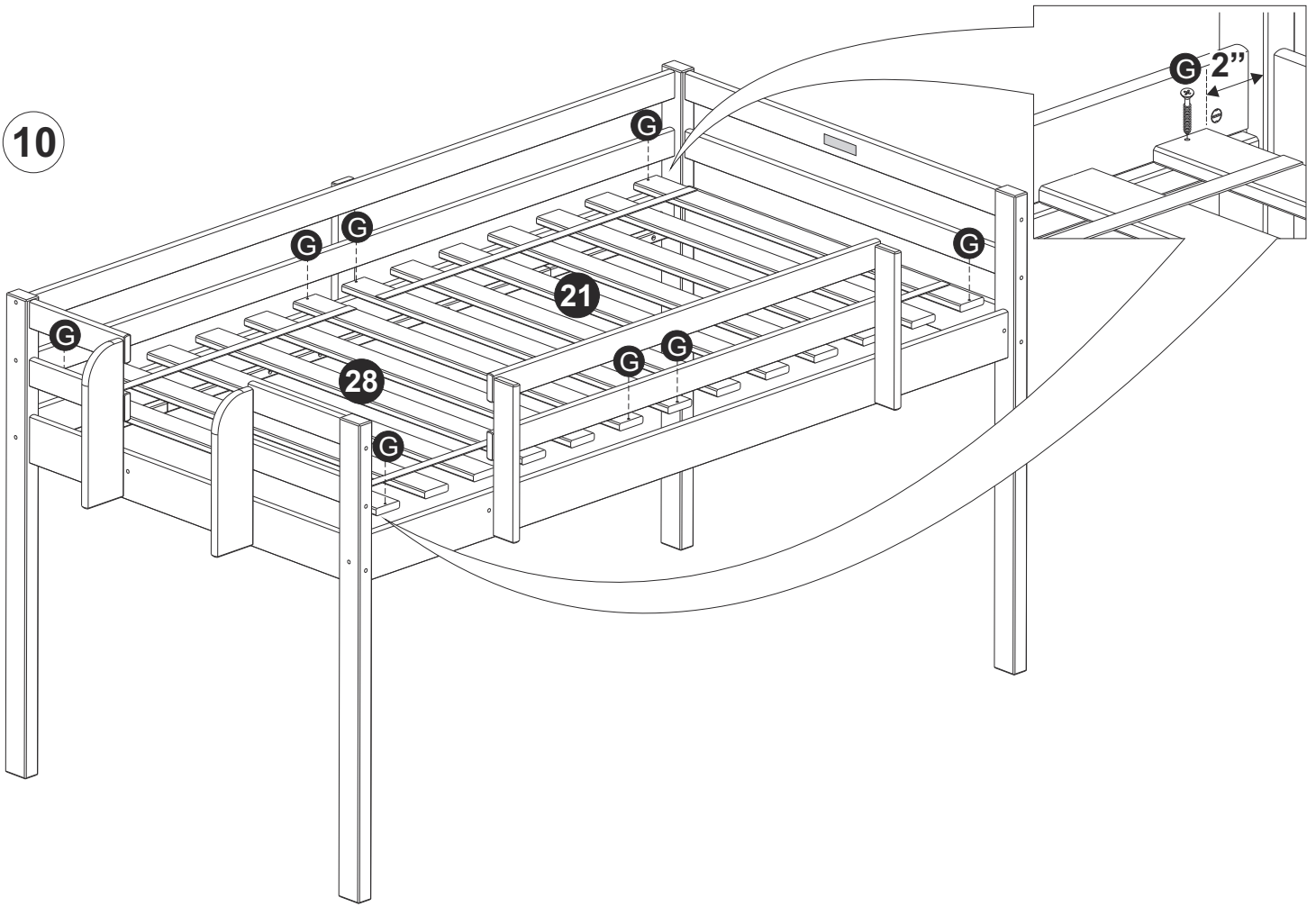
8



9

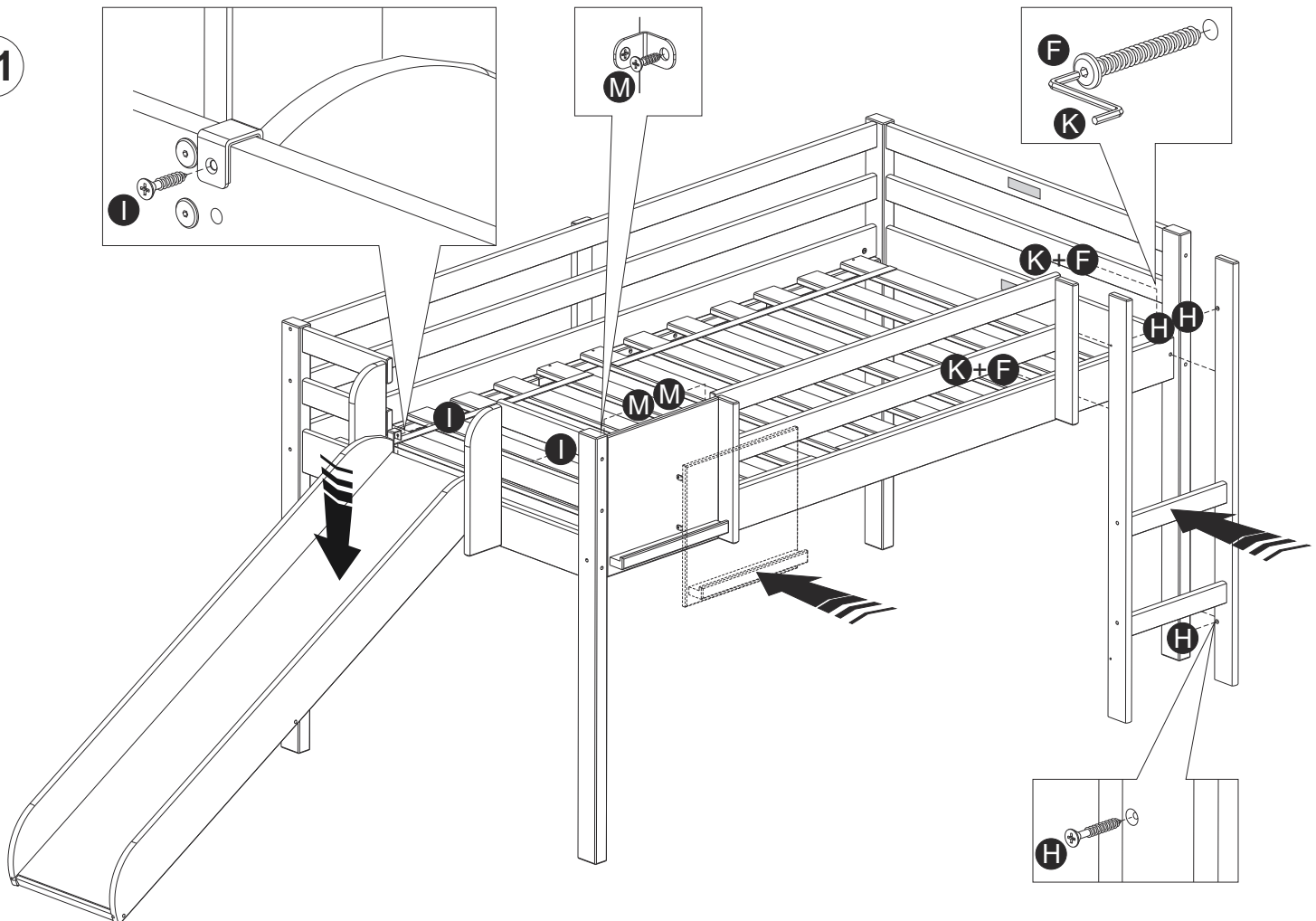


10

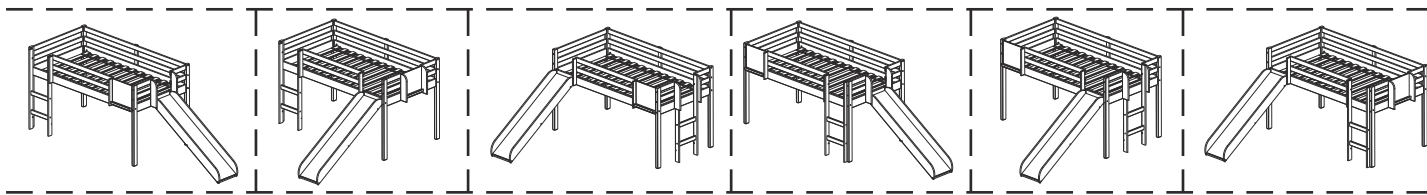


\* Return to page # 2 to set the assembly to the desired option.

11

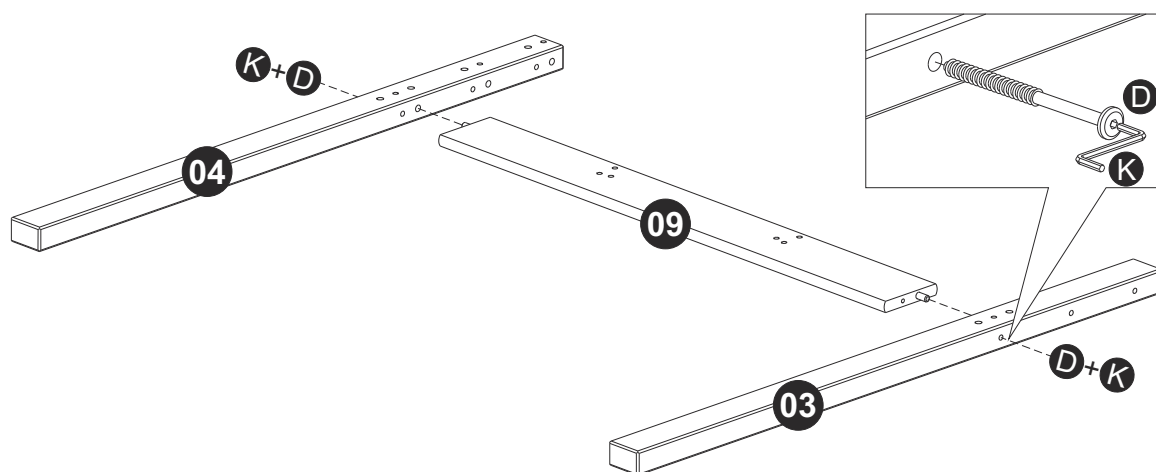
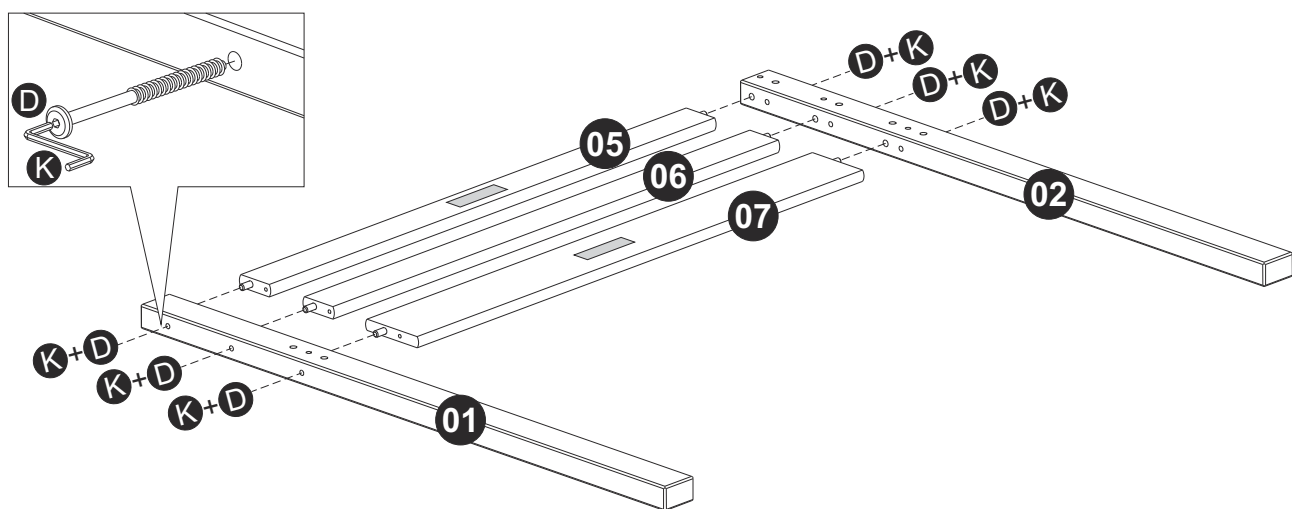


# CONFIGURATION OPTIONS 2 - LADDER / BLACKBOARD / SLIDE



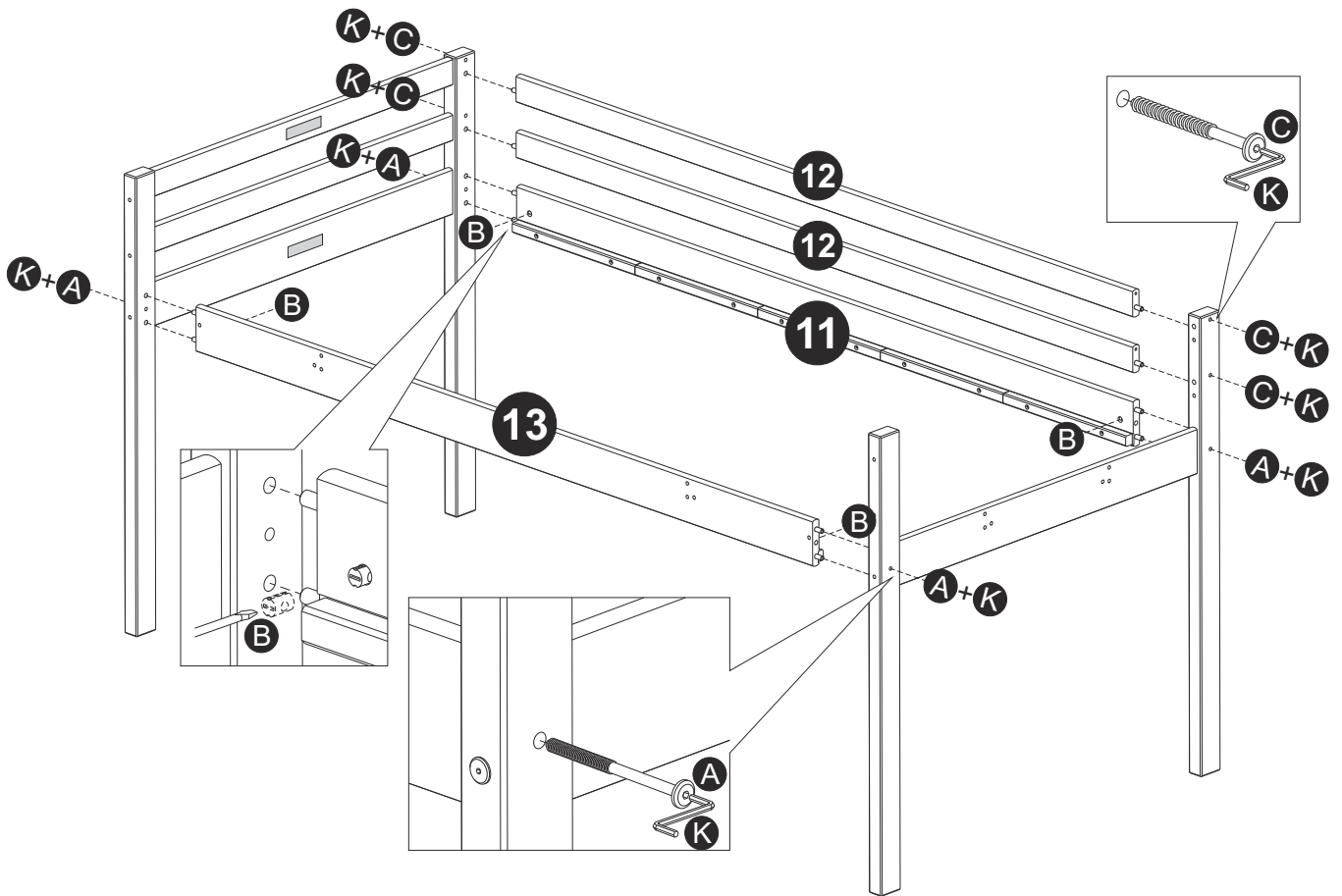
12

## ASSEMBLY OF THE HEADBOARDS OPTION 02

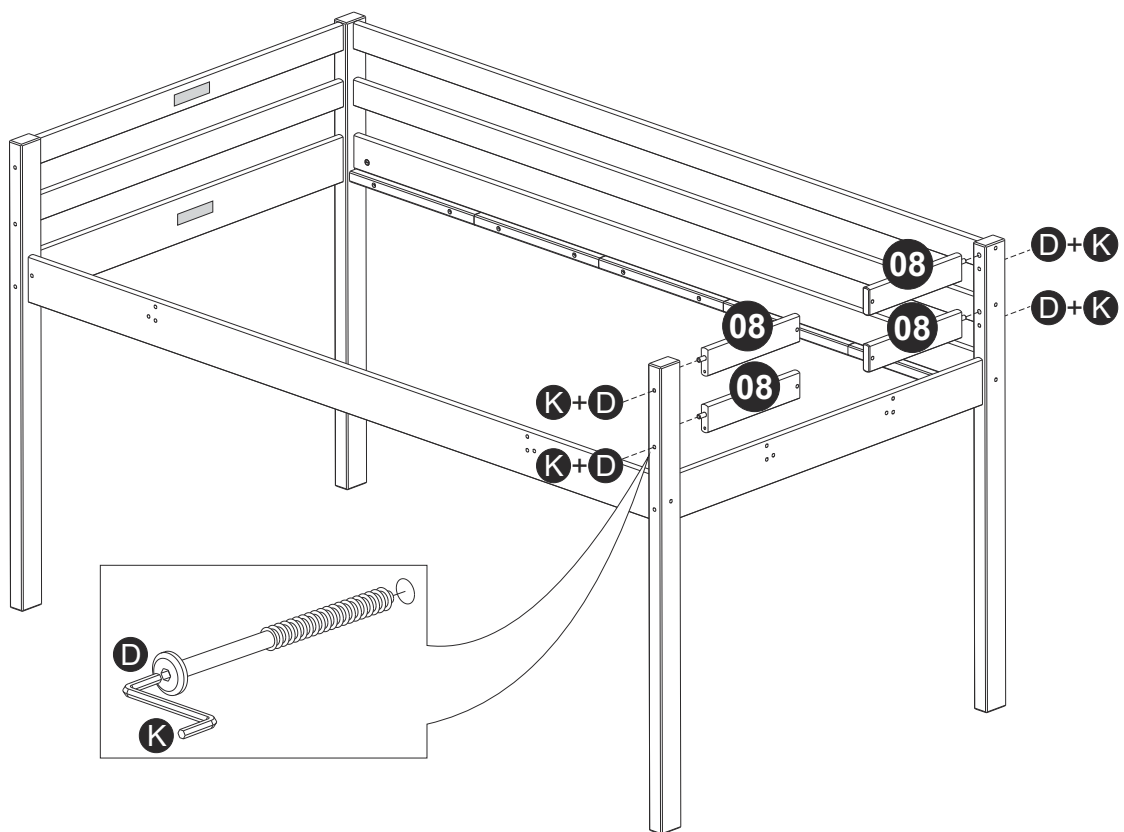


13

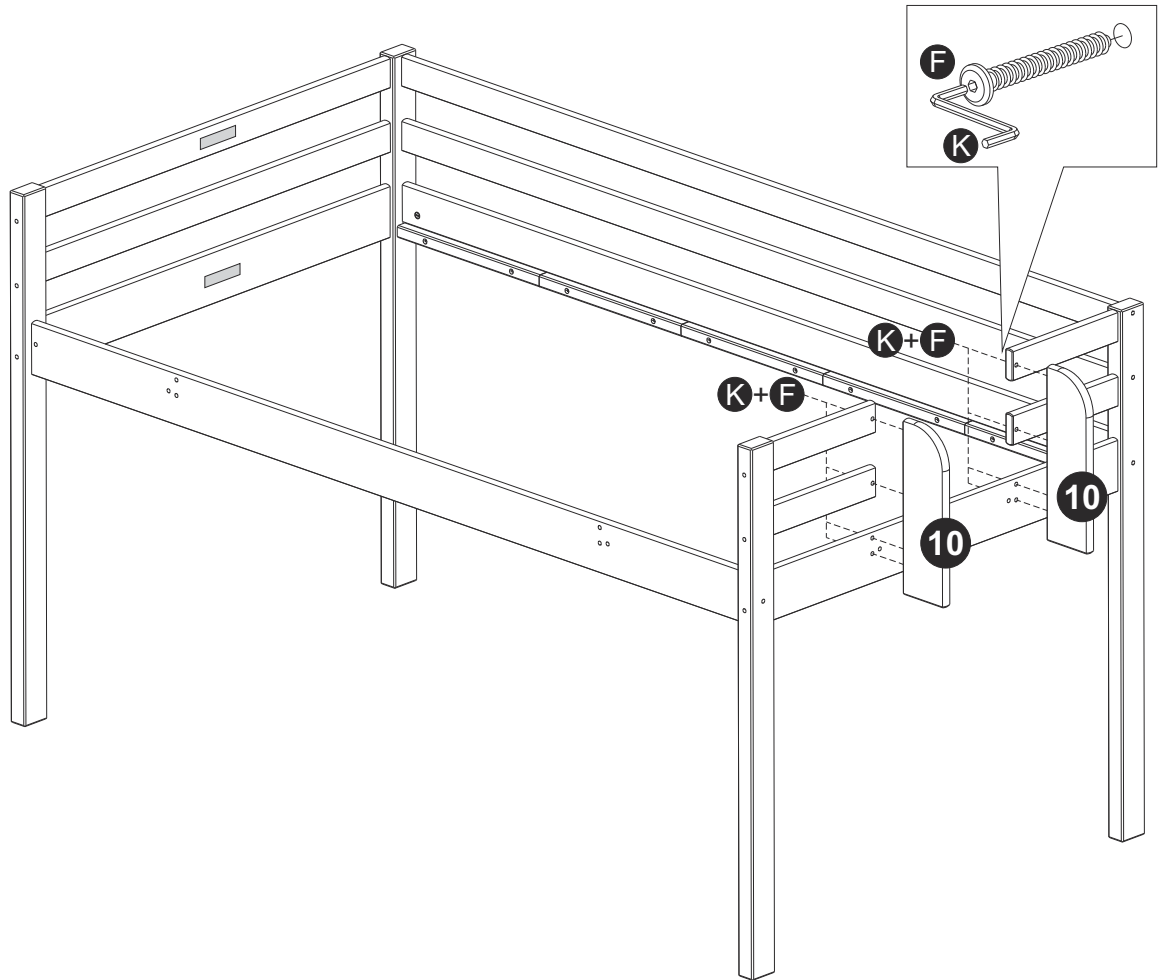
# ASSEMBLY INSTRUCTIONS OPTION 02



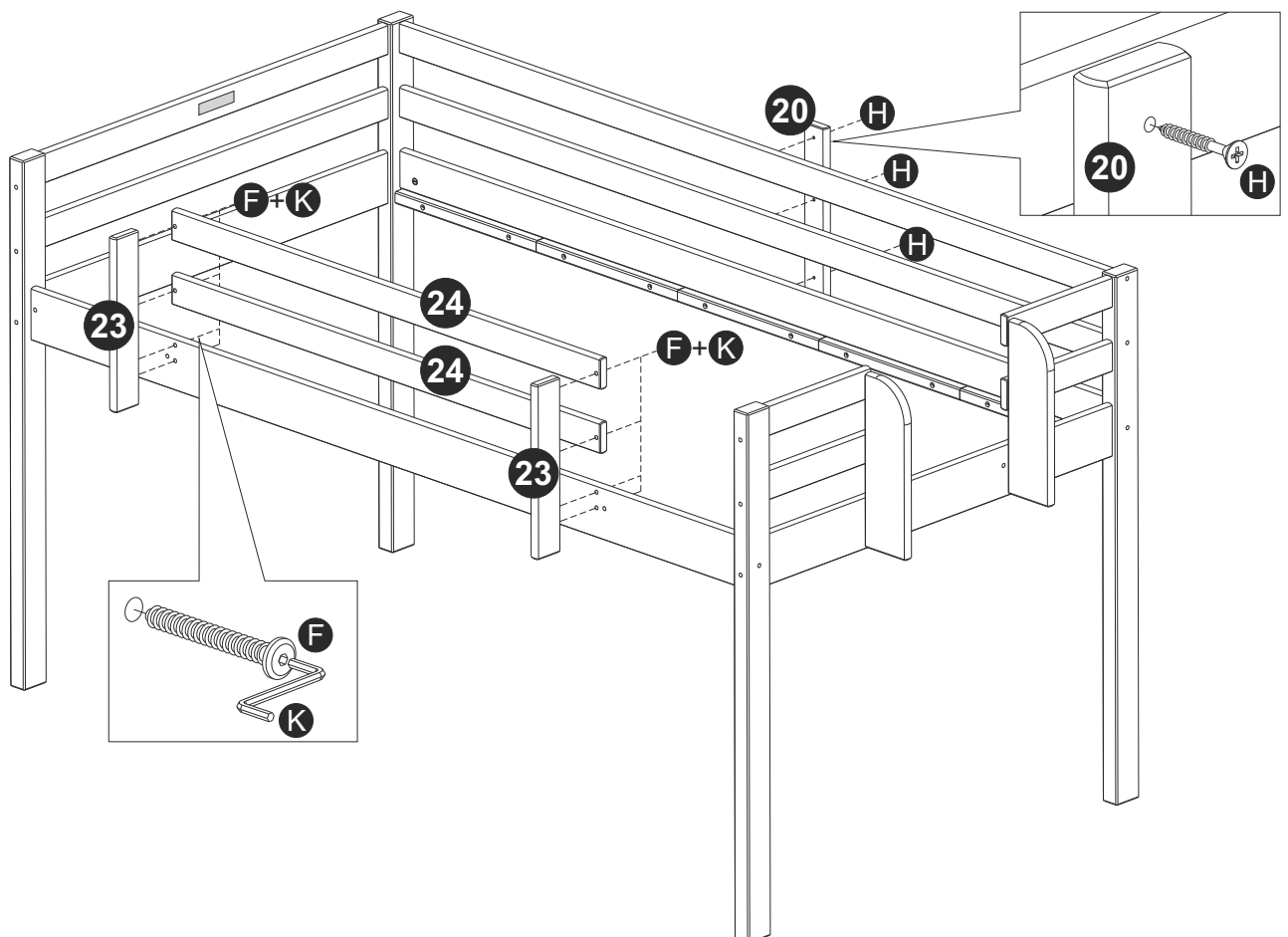
14



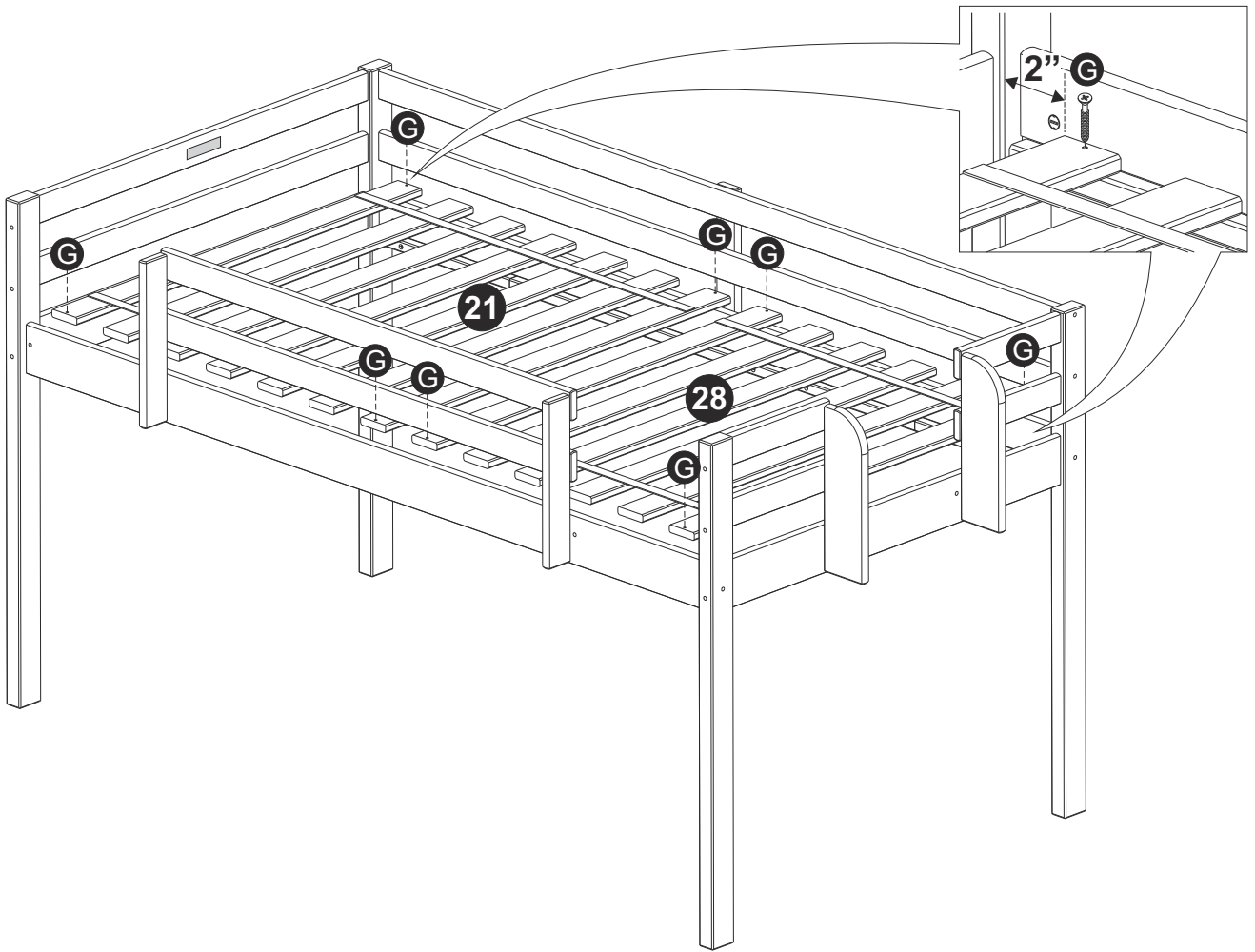
15



16

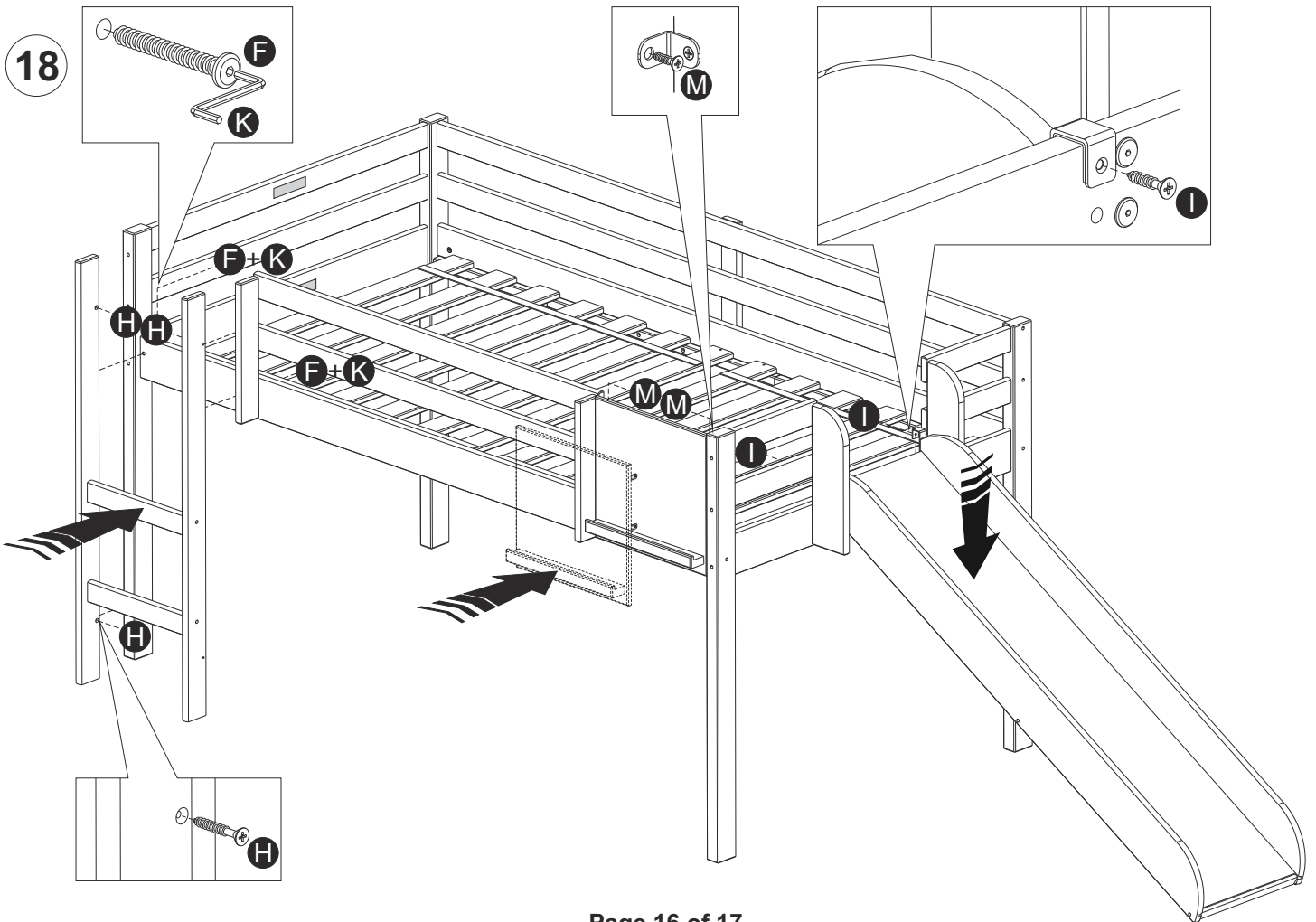


17



\* Return to page # 2 to set the assembly to the desired option.

18



# ASSEMBLY COMPLETE

