

ASSEMBLY INSTRUCTIONS

Glider/Rocker with Ottoman


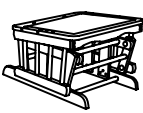
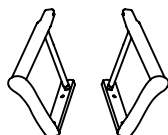





Ottoman Requires
No Assembly

WARNING CAUTION

1. This product contains bolts and other small parts that may present a choking hazard for children 3 years or under. This unit must be assembled by an adult.
2. Periodically check the safety of your product by making certain all bolts and nuts are tightened securely.

COMPONENT PARTS

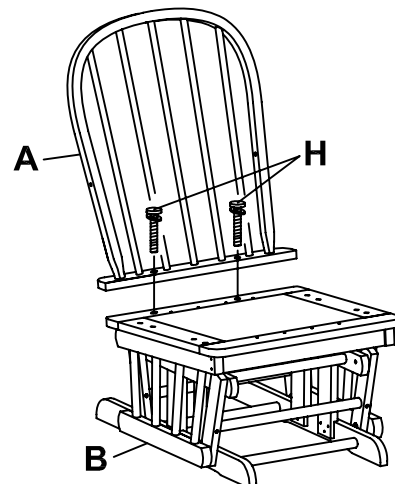
A	1pcs	B	1pcs	C	2pcs
Back Frame		Base		Armrests	
					
D	2pcs	E	1pcs	F	1pcs
Armrest Cushions		Back Cushion		Seat Cushion	
					

NOTE:

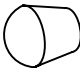
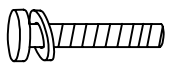

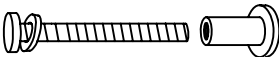
DO NOT TIGHTEN SCREWS
UNTIL STEP 3.

STEP 1

Place the back frame (A) on the base (B) and align the holes in the back frame (A) with the holes on the base (B). Use the screw (H) in each of the two holes as shown and tighten with allen key (I).



PARTS LIST

G	2pcs	H	6pcs
WOODEN PLUGS		SCREWS AND WASHERS	
			
I	2pcs	J	2pcs
ALLEN KEY			
			

STEP 2

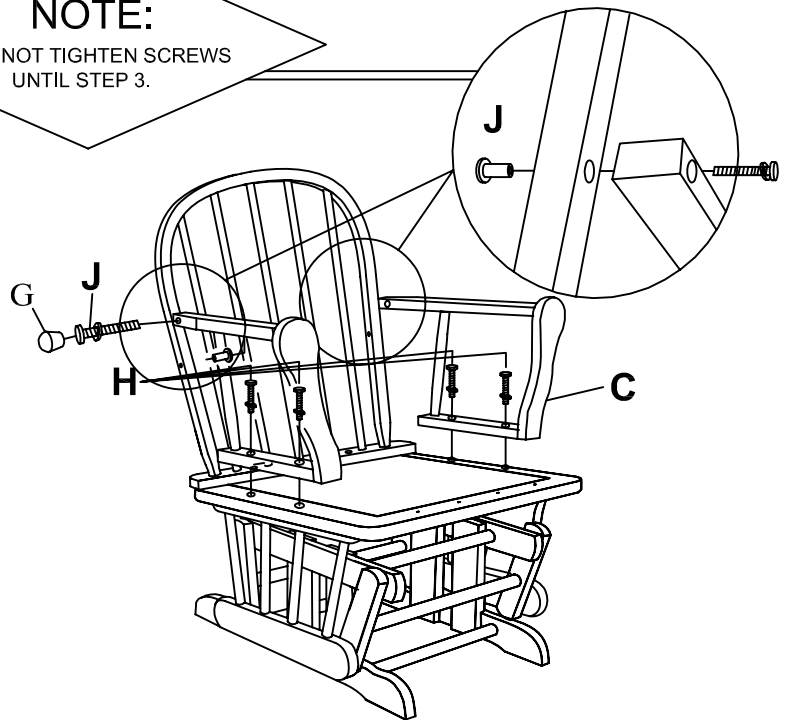
NOTE:
DO NOT TIGHTEN SCREWS
UNTIL STEP 3.

2-1: Attach the left armrest(C) to the back frame(A) (round part facing front) using the screw and nut (J) by placing the nut underneath armrest(C) as per diagram and placing the screw through the hole and tighten using the allen key (I). Do not over tighten as the holes on the bottom of the armrest(C) must align with the holes on the base(B).

2-2: Use screw (H) to attach the armrest(C) to the base(B) by placing them in the two holes as shown and tighten using allen key (I). Cover the hole via wooden plugs(G) onto back frame(A).

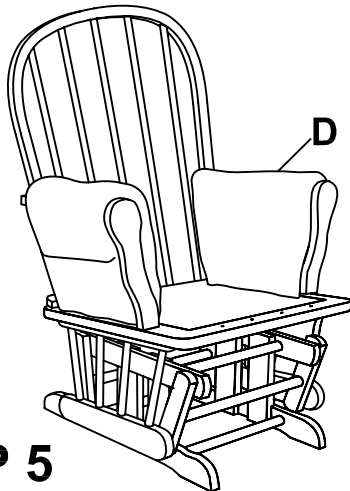
2-3: Check to make sure all screws are tight.

2-4: Repeat Steps 2-1, 2-2 & 2-3 for the right armrest(C).



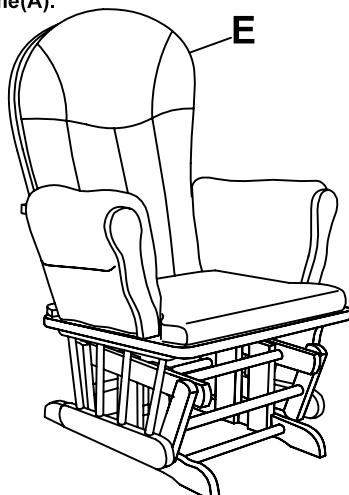
STEP 3

Attach the armrest cushions(D) to the armrest(C) by the velcro along the interior seat and on the sides.



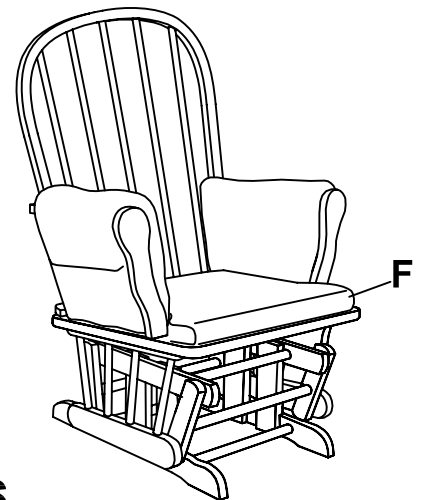
STEP 5

Attach the back cushion(E) to the back frame(A).



STEP 4

Attach the seat cushion(F).



STEP 6

Tie up the cushion onto backrest

