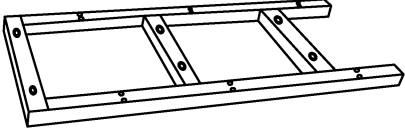
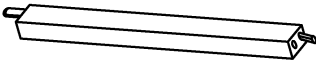
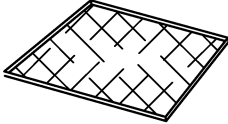
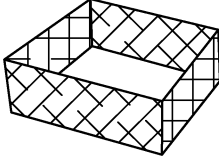





ASSEMBLY INSTRUCTIONS
 3 TIER WEAVING BASKETS UTILITY RACK
 ASSEMBLY ON A FLAT, PROTECTED SURFACE

PARTS LIST

NO	DESCRIPTION	FIGURE	QTY
1	SIDE FRAMES		2
2	CROSS BARS		6
3	BASKET BOTTOMS		3
4	BASKET FRAMES		3

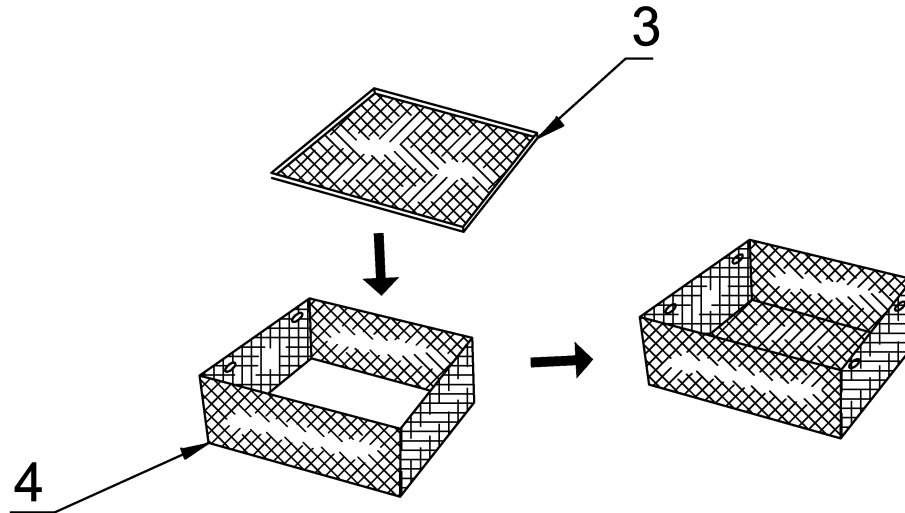
HARDWARE LIST

A	BOLTS (1/4" x 40mm)		12
B	BOLTS (1/4" x 30mm)		12
C	ALLEN KEY 60X22X4mm		1

ASSEMBLY INSTRUCTIONS
3 TIER WEAVING BASKETS UTILITY RACK
ASSEMBLY ON A FLAT, PROTECTED SURFACE

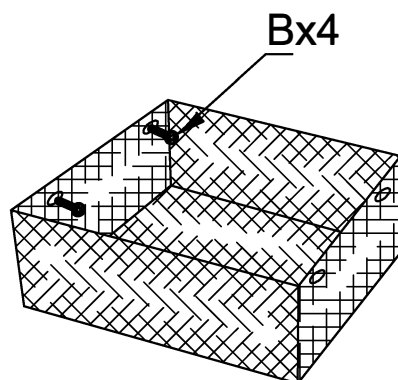
STEP 1:

- 1). Insert basket bottom (3) into basket frame (4).
- 2). Repeat for remaining baskets.



STEP 2:

- 1). Install bolts (B) in 4 positions on basket as shown from step 1.
- 2). Repeat for remaining baskets.



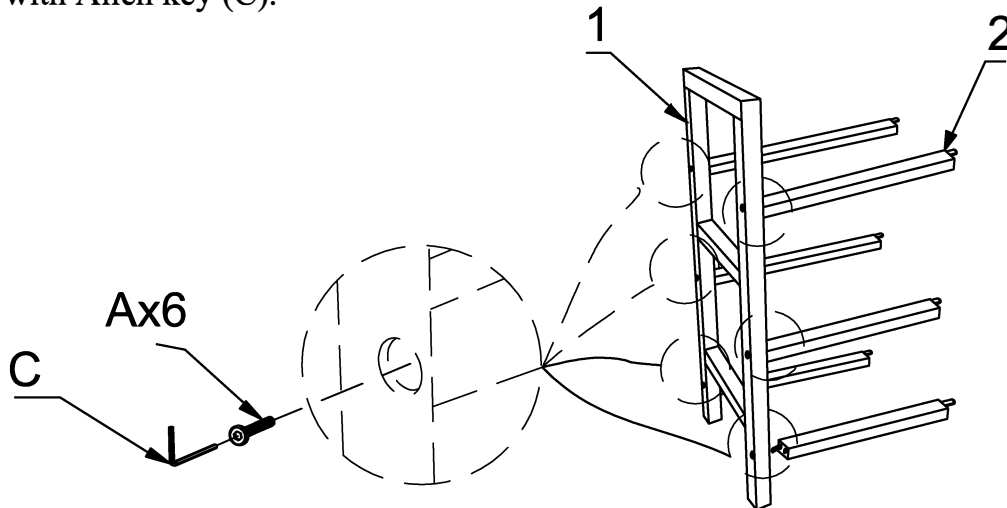
ASSEMBLY INSTRUCTIONS

3 TIER WEAVING BASKETS UTILITY RACK

ASSEMBLY ON A FLAT, PROTECTED SURFACE

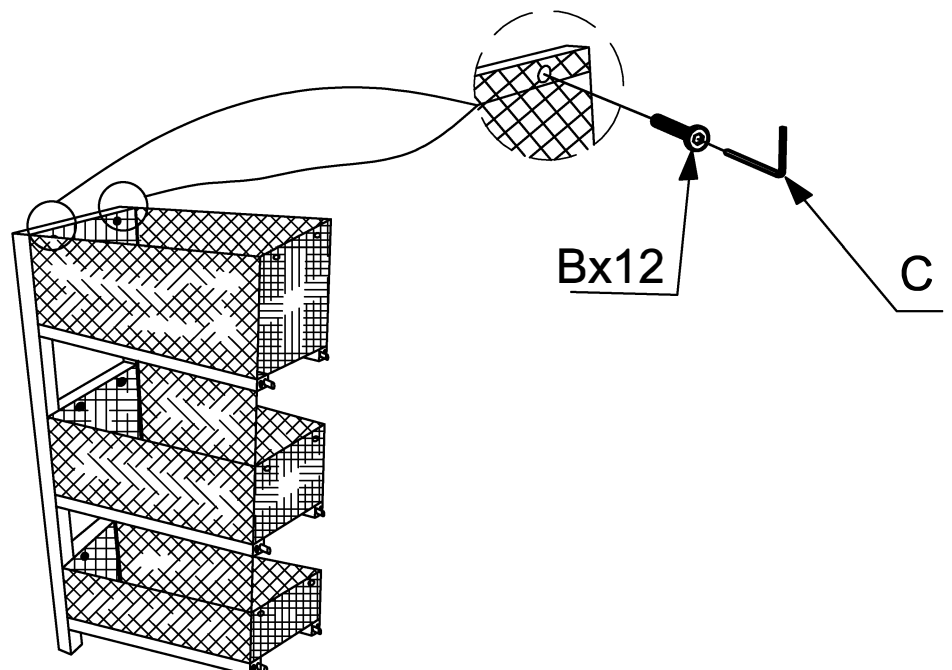
STEP 3:

- 1). Assemble on a soft and protected surface from scratches.
- 2). Attach cross bars (2) to side frame (1) as shown. Then insert bolts (A) and loosely tighten with Allen key (C).



STEP 4:

- 1). Place the rack assembled from step 3 as shown, then attach the 3 assembled baskets to the side frame (1) as shown.
- 2). Well align basket holes to bolts holes of side frames and then loosely bolts (B) with Allen key (C)



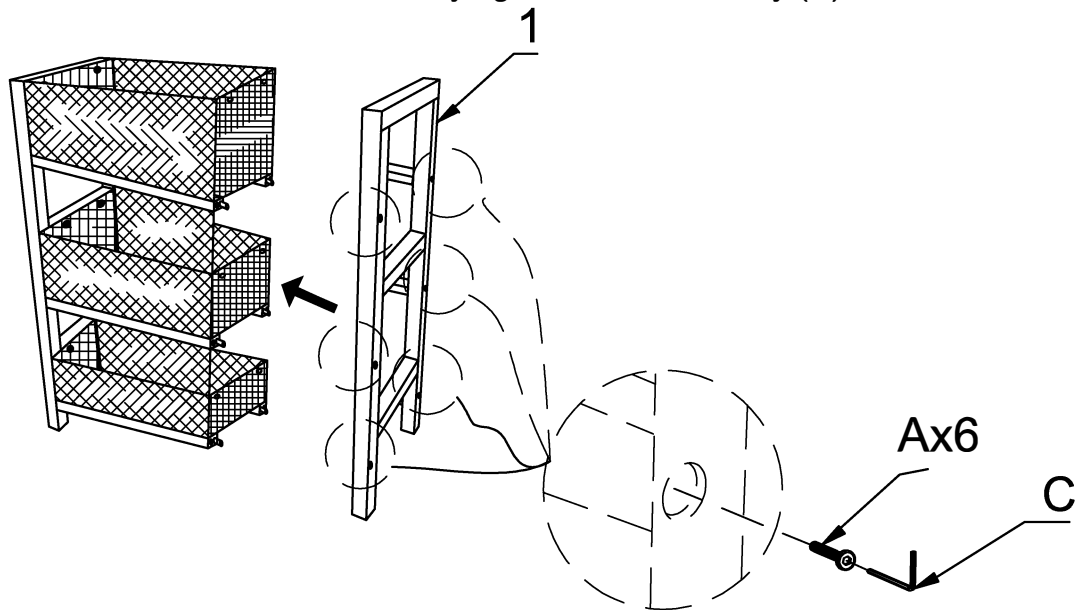
ASSEMBLY INSTRUCTIONS

3 TIER WEAVING BASKETS UTILITY RACK

ASSEMBLY ON A FLAT, PROTECTED SURFACE

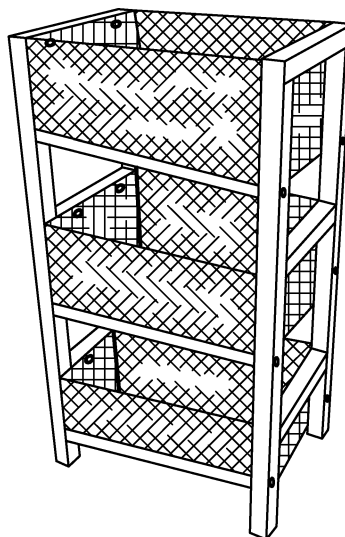
STEP 5:

- 1). Align well and attach the other side frame (1) to cross bars (2). Insert bolts (A) through baskets to side frame (1) bolts holes.
- 2). Insert bolts (A) to side frame (1) bolt holes as shown.
- 3). Well align all bolts to each bolt hole, loosely tighten with Allen key (B).



STEP 6:

- 1). Fully tighten all bolts.
- 2). The 3 Tier Weaving Baskets Utility Rack is ready for use.



ASSEMBLY INSTRUCTIONS

3 TIER WEAVING BASKETS UTILITY RACK

ASSEMBLY ON A FLAT, PROTECTED SURFACE

IMPORTANT NOTE:

*Place all wooden parts on a clean and smooth surface such as a rug or carpet to avoid scratching the parts.

*Kindly follow the assembly instruction step by step.

*We recommend that you periodically tighten all bolts/ screws are placed in their proper position and are tightened securely to ensure your safety.

*Weight restriction: Baskets 20 LBS each.

*Do not sit, stand or climb on the 3 Tier Weaving Baskets Utility Rack.

*Not for commercial use.

*In case you need any extra parts or further services, for Wayfair customers, please feel free to contact with Wayfair directly, for all others, please feel free to contact us directly instead your safety.