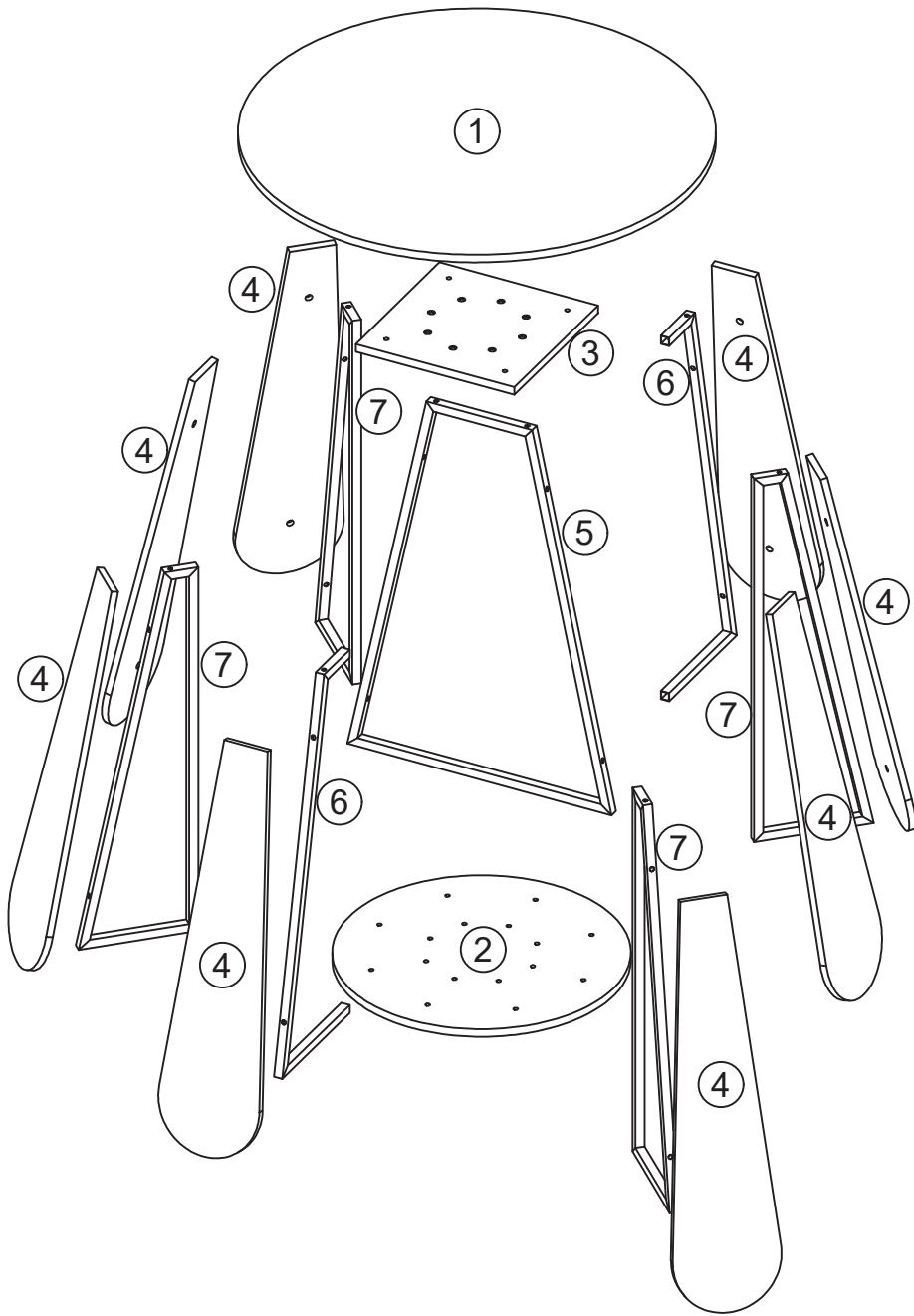









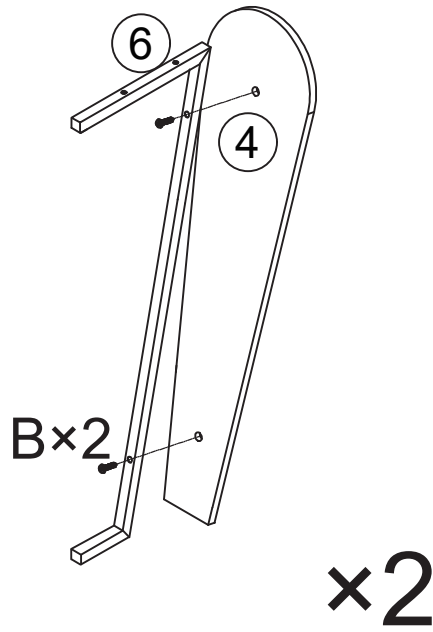
**end table**





B×16PCS	C×22PCS	D×4PCS	E×8PCS	L×1PC
				
M6×22mm	M6×25mm	M6×25mm	Φ20×3mm	M4mm

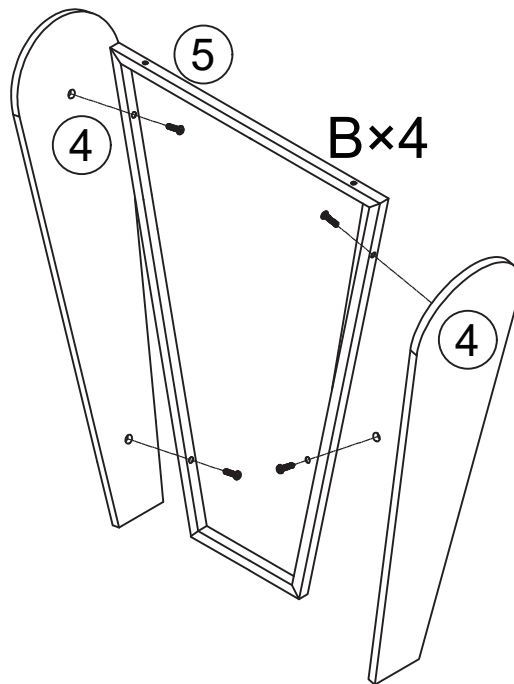
1.

B×4PCS	L×1PC
	
M6×22mm	M4mm





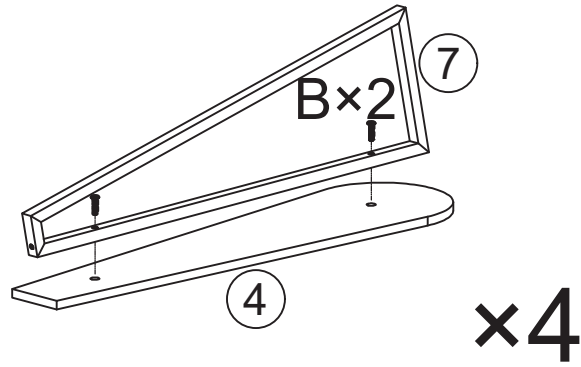
2.

B×4PCS	L×1PC
	
M6×22mm	M4mm





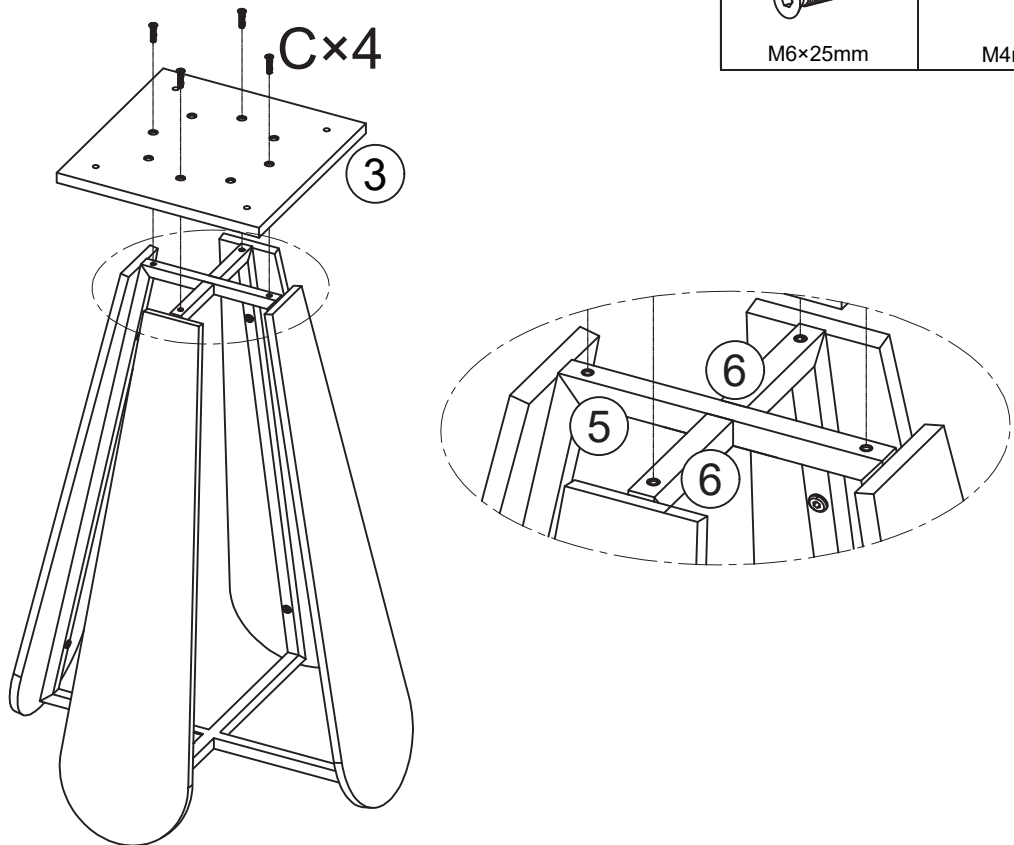
3.

B×8PCS	L×1PC
	
M6×22mm	M4mm





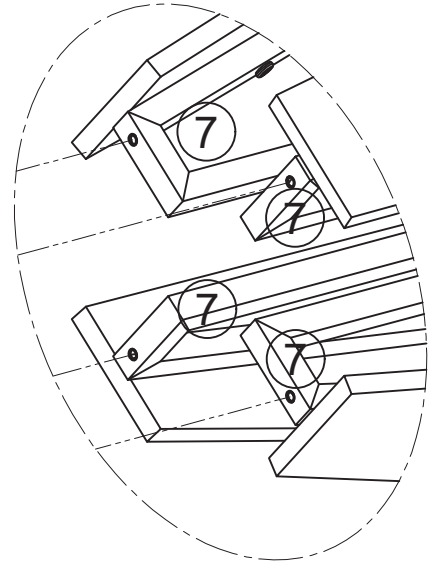
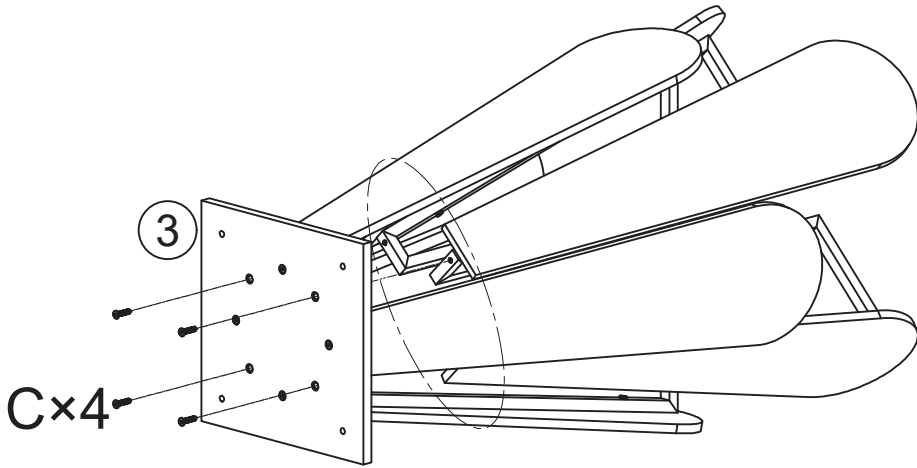
4.

C×4PCS	L×1PC
	
M6×25mm	M4mm





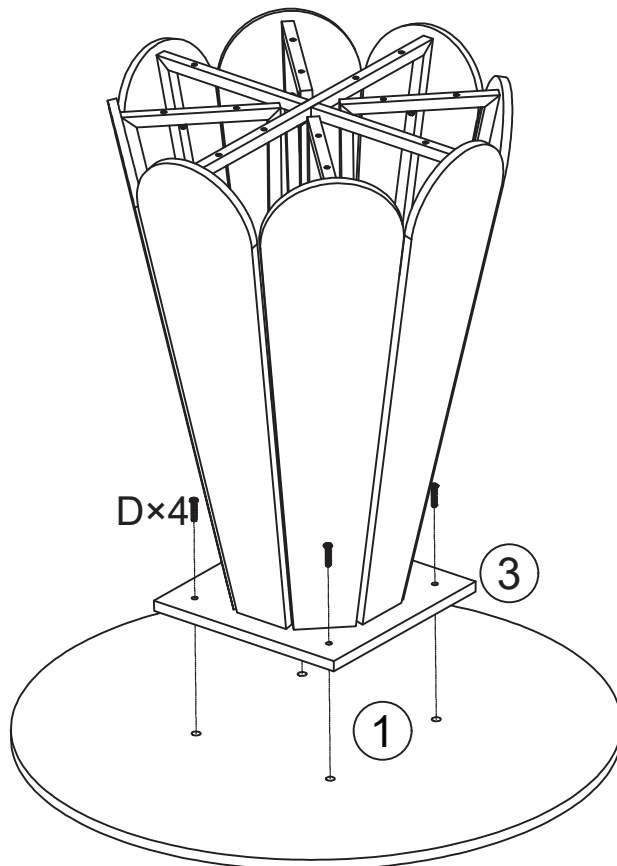
5.

C×4PCS	L×1PC
	
M6×25mm	M4mm






6.

D×4PCS	L×1PC
	
M6×25mm	M4mm



# 7.

C×14PCS	E×8PCS	L×1PC
		
M6×25mm	Φ20×3mm	M4mm

