

Attention

Thanks for choosing our product.

1. Before the assembly begins, please kindly check the parts listed below firstly. If any part is missing or damaged, or for any questions or problems, please feel free to contact with us at any time.
2. Recommended for 2 persons to assemble it.
3. Please wear protective gloves when assembling it. Power tools are highly recommended for screws.
4. Please pull or insert the droppings drawer with both hands.

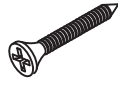
Parts List

A



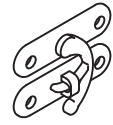
m3.5*40 8PCS

B



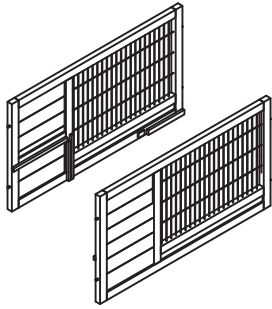
m3*16 8PCS

C



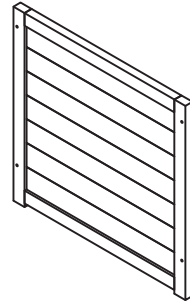
1PC

1



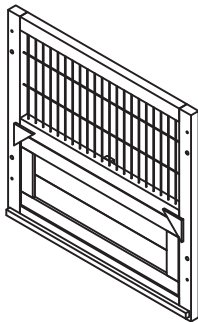
2PCS

2



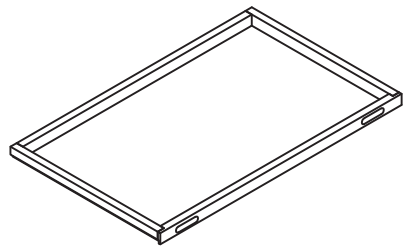
1PC

3



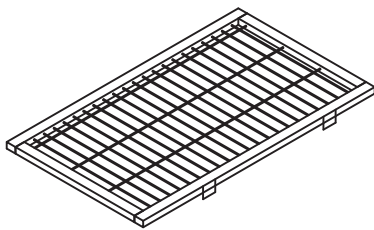
1PC

4



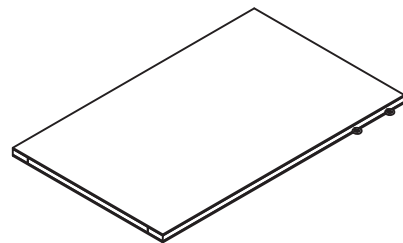
1PC

5



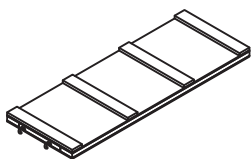
1PC

6



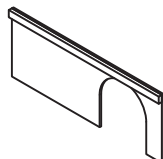
1PC

7



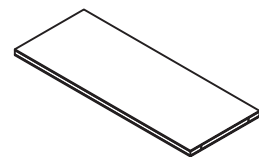
1PC

8



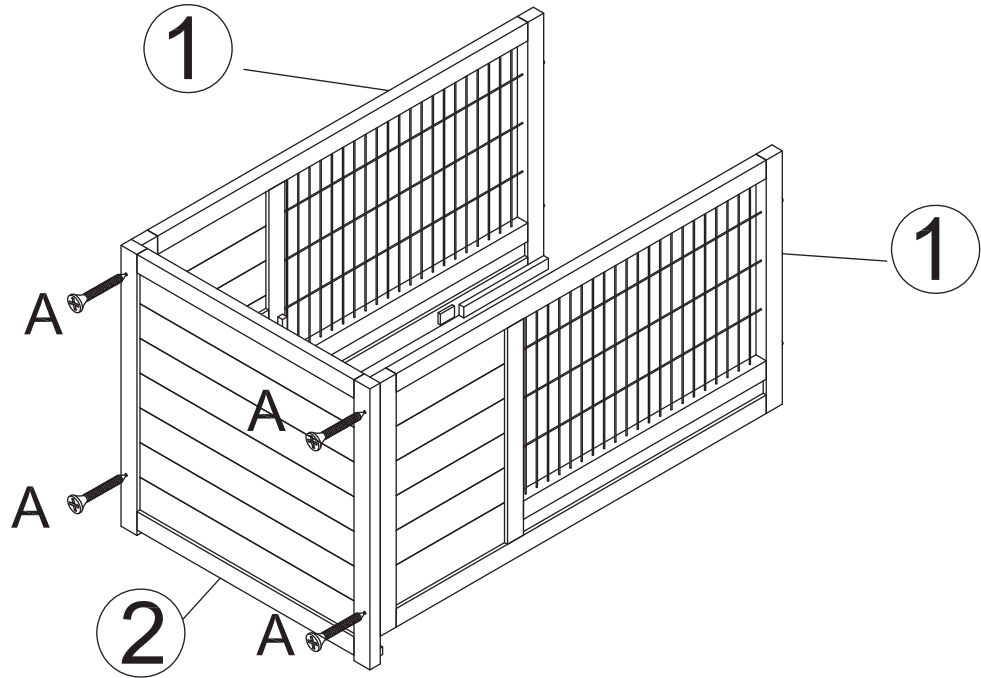
1PC

9



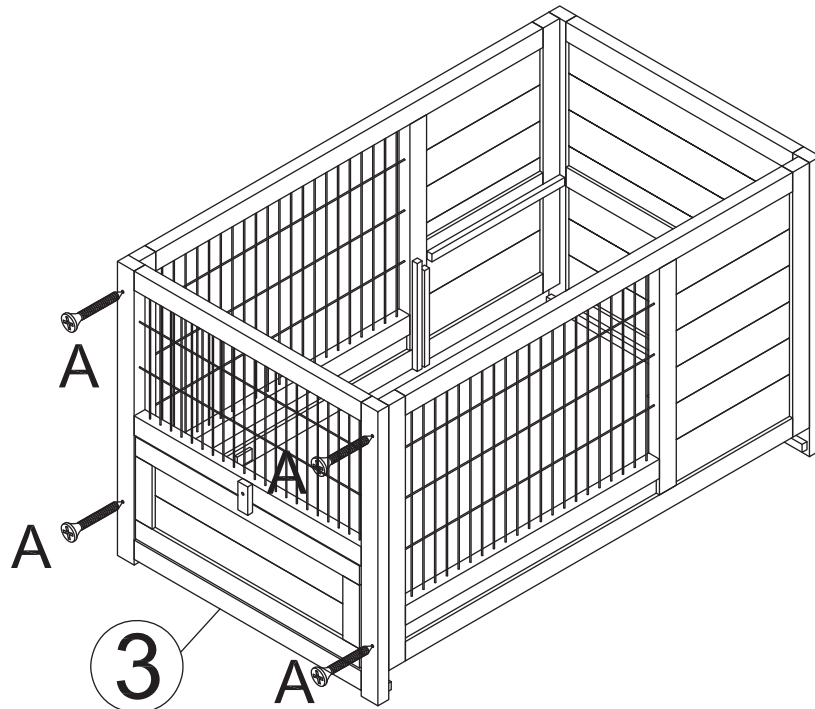
1PC

Step 1



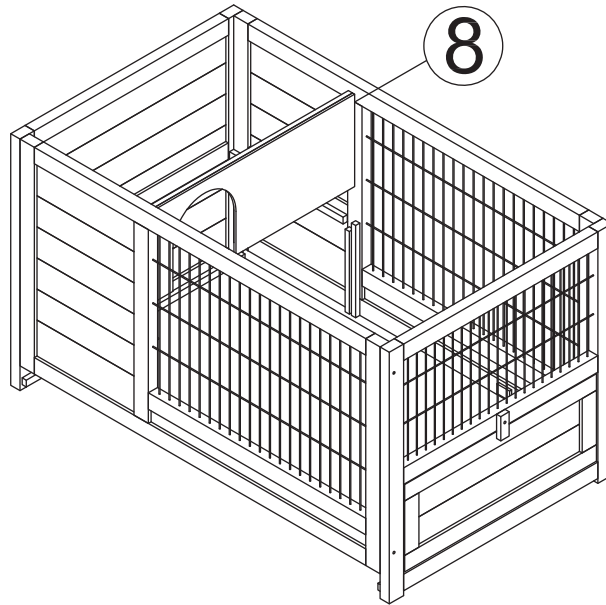
Connect 2*[panel 1] to [panel 2] with 4*[screw A].

Step 2



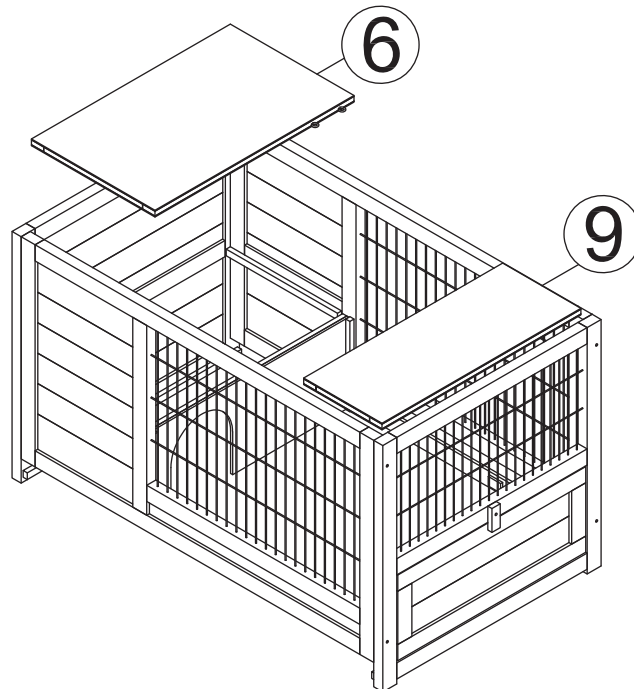
Complete outside fence with [panel 3],and secure it with 4*[screw A],just like STEP1.

Step 3



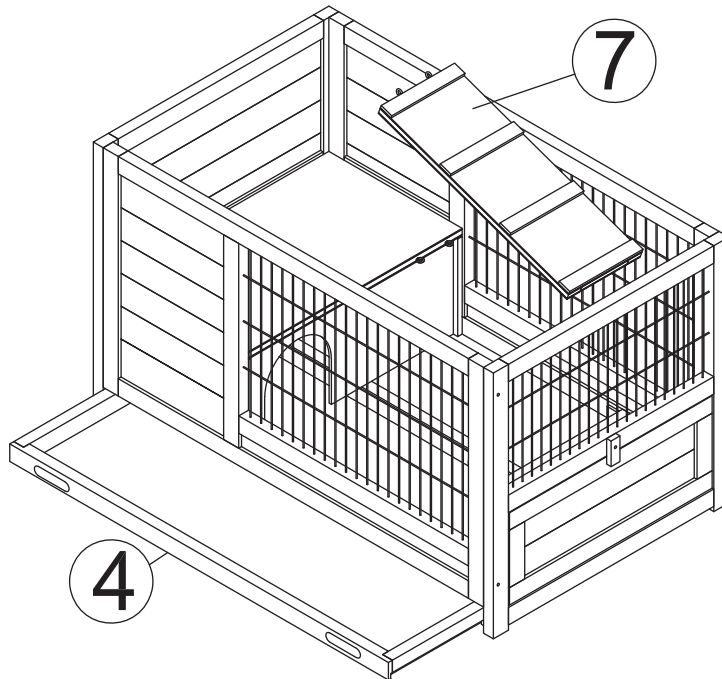
Vertically insert wall [panel 8] into the sliding track.

Step 4



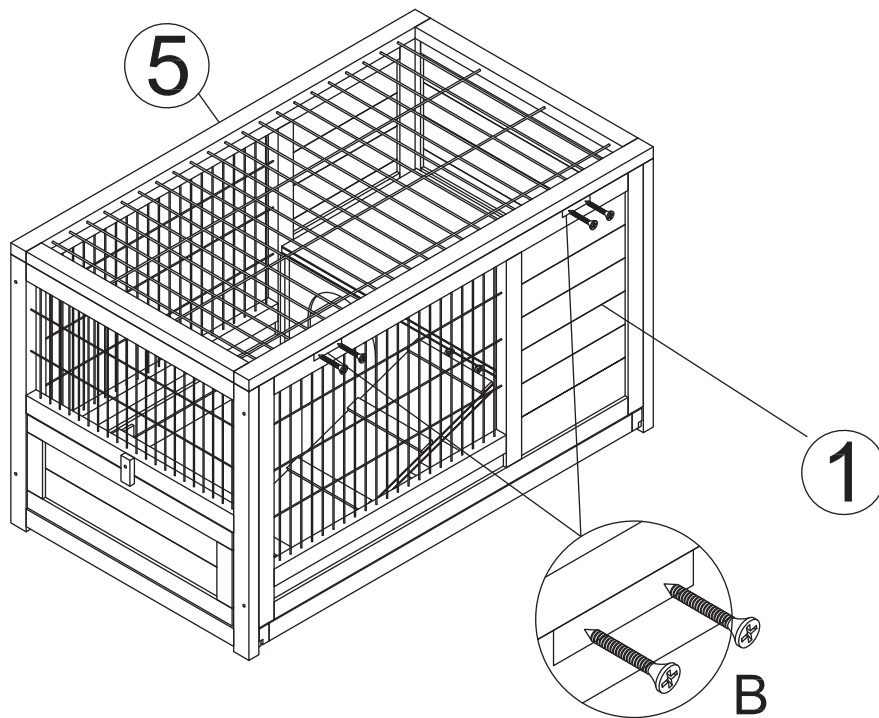
Horizontally put the the ceiling board [panel 6] on wall [panel 8].And horizontally put the botom [panel 9] at the other side.

Step 5



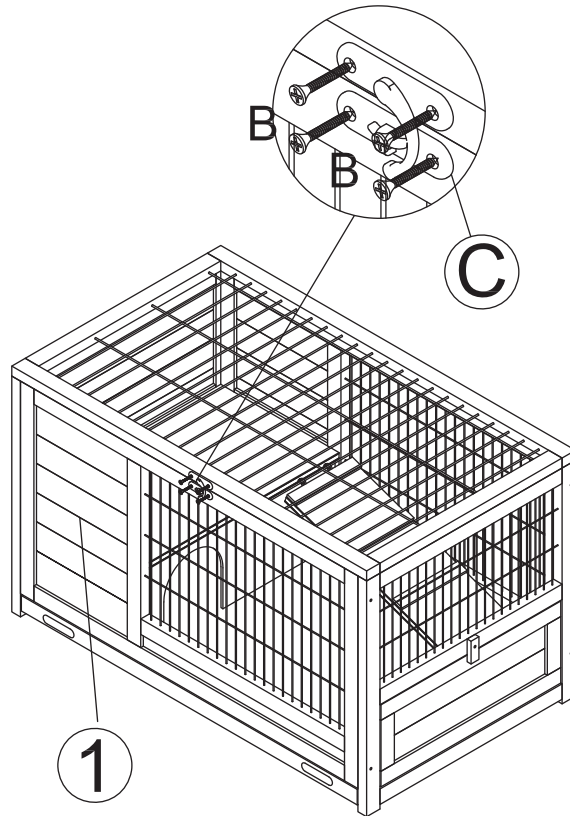
Hook the ramp [panel 7] to the ceiling [panel 8], and lay it down on bottom [panel 9]. Insert the droppings drawer [panel 4] at the bottom of hutch.

Step 6



Connect the top of hutch [panel 5] to hinges on [panel 1] with 4*[screw B].

Step 7



Turn to the other side to assemble the lock [C] at the middle of the top of [panel 1].

