

ASSEMBLY INSTRUCTION

This set includes 2 boxes if don't receive full 2 boxes please contact our customer service team



! SAFETY WARNINGS !

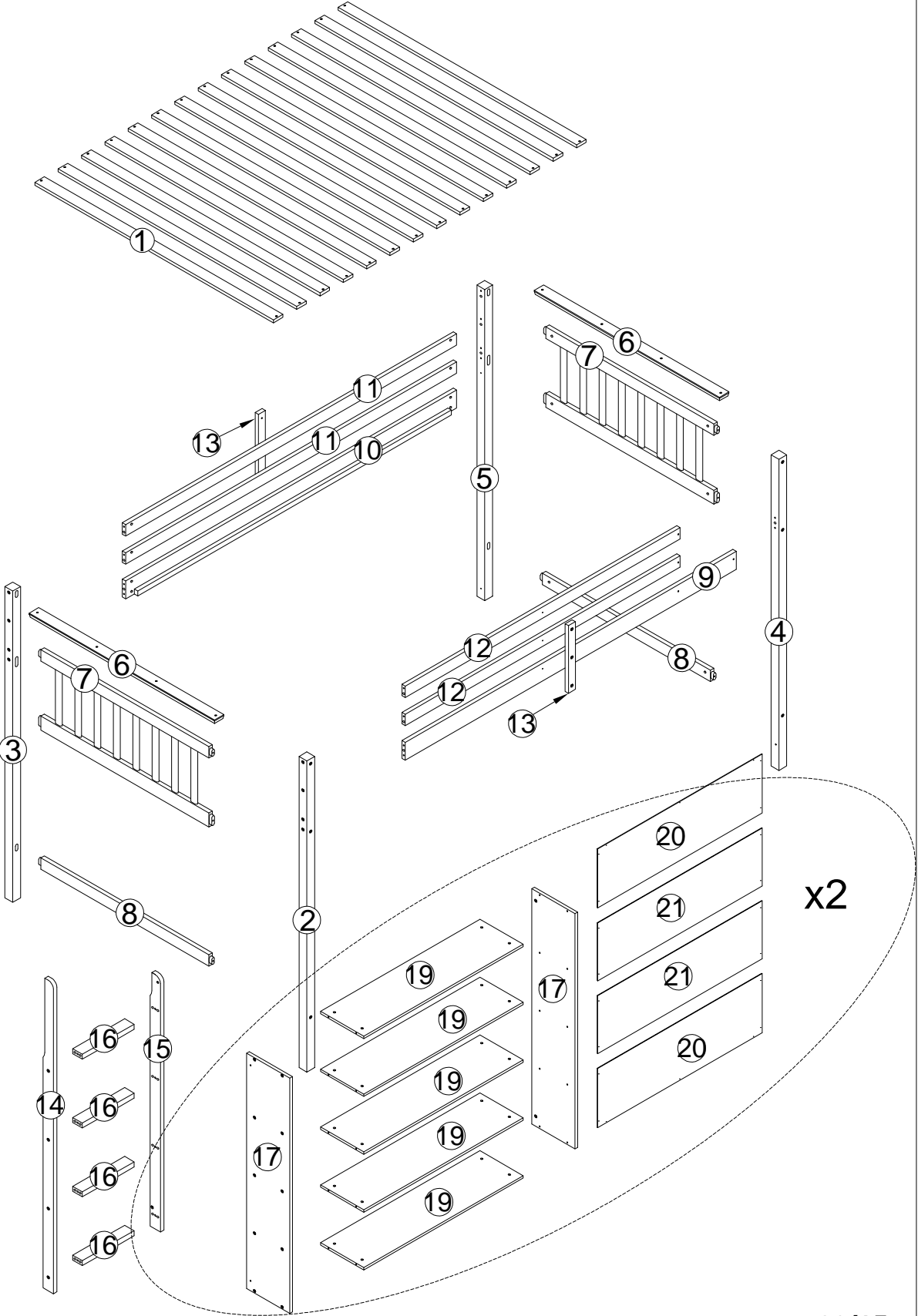
1. This bed is designed for use only mattress (es) meeting the following specifications on the upper bunk

Upper bunk bed





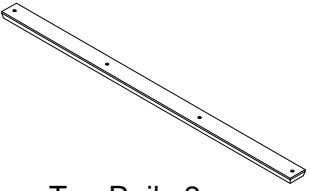
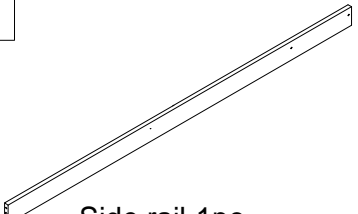
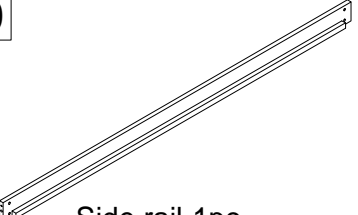
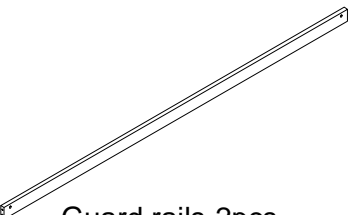
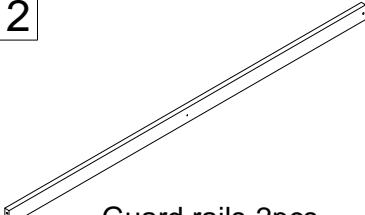



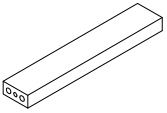
Bed Type	Length	Width	Thickness
<i>Twin Standard</i>	<i>74" - 75"</i>	<i>38 1/2"</i>	<i>6" max</i>

2. Replacement parts, including additional guardrails, maybe obtained from any of our (dealers
3. Follow the information on the warnings appearing on the upper bunk bed end structure and on the carton. Do not remove warning label from bed
4. Always use the recommended size mattresses or mattress supports, or both, to help prevent the likelihood of entrapment or falls.
5. Surface of mattress must be at least 5" (127mm) below the upper edge of guardrails
6. Do not allow children under 6 years of age to use the upper bunk.
7. Periodically check and ensure that the guardrail, ladder, and other components are in their proper position, free from damage, and that all connectors are tight.
8. Do not allow horseplay on or under the bed and prohibit jumping on the bed.
9. Always use the ladder for entering and leaving the upper bunkAlways use the ladder for entering and leaving the upper bunk.
10. Do not use substitute part. Contact the manufacture or dealer for replacement part
11. Use of a night light may provide added safety precaution for a child using the upper bunk..
12. Always use guardrails on both long sides of the upper bunk. If the bunk bed will be placed next to the wall, the guardrail that runs the full length of the bed should be placed against the wall to prevent entrapment between the bed and wall.
13. The use of water or sleep flotation mattresses is prohibited
14. **STRANGULATION HAZARD** - Never attach or hang items to any part of the bunk bed that are not designed for use with the bed; for example, but not limited to, hook, belts and jump ropes
15. Keep these instruction for future reference
16. Prohibit more than one person on upper bunk
17. We recommend assembling your bunk bed on the shipping carton to protect your floor or carpet
18. Be certain all staples are out of the box before beginning assembly on the shipping carton.

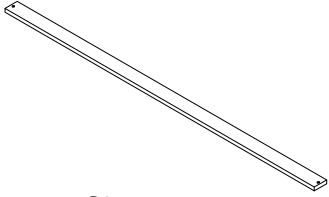
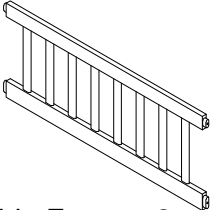
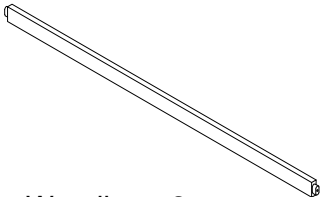

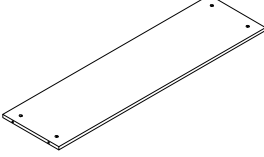
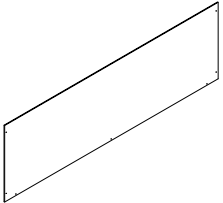
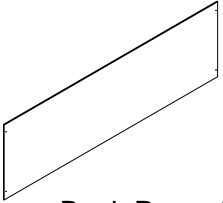
ASSEMBLY INSTRUCTION



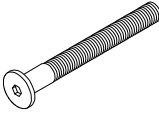



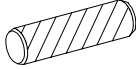

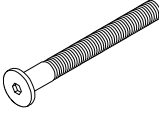
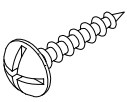



Part List

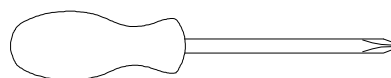
2  Leg-1pc	3  Leg-1pc	4  Leg-1pc
5  Leg-1pc	6  Top Rails-2pcs	9  Side rail-1pc
10  Side rail-1pc	11  Guard rails-2pcs	12  Guard rails-2pcs
13  Rails-2pcs	14  Side Ladder-1pc	15  Side Ladder-1pc
16  Step Ladders-4pcs		

Part List

<p>1</p>  <p>Slats-14pcs</p>	<p>7</p>  <p>Side Frames-2pcs</p>	<p>8</p>  <p>Woodbars-2pcs</p>
<p>17</p>  <p>Side Pane-4pcs</p>	<p>19</p>  <p>Pane-10pcs</p>	<p>20</p>  <p>Back Pane-4pcs</p>
<p>21</p>  <p>Back Pane-4pcs</p>		

Hardware List

<p>A</p>  <p>Screws 1/4" x90 26pcs</p>	<p>B</p>  <p>Ø1/4" x 13 mm Horizontal-Hole bolts 78pcs</p>	<p>C</p>  <p>M4 x 30 mm Wood Screws 36pcs</p>
<p>D</p>  <p>Screws 1/4" x30 6pcs</p>	<p>E</p>  <p>Ø10 x 40 mm Wood dowel 26pcs</p>	<p>F</p>  <p>Screws 1/4" x40 5pcs</p>
<p>G</p>  <p>Screws 1/4" x60 52pcs</p>	<p>H</p>  <p>M4 x 15 mm Wood Screws 62pcs</p>	<p>K</p>  <p>Ø1/4" x 20 mm Hex-Head bolts 2pcs</p>
<p>L</p>  <p>Ø1/4" x 15 mm Canopy head through -2pcs</p>	<p>M</p>  <p>Allen Key 1pc</p>	

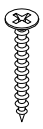
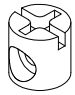
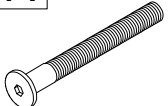


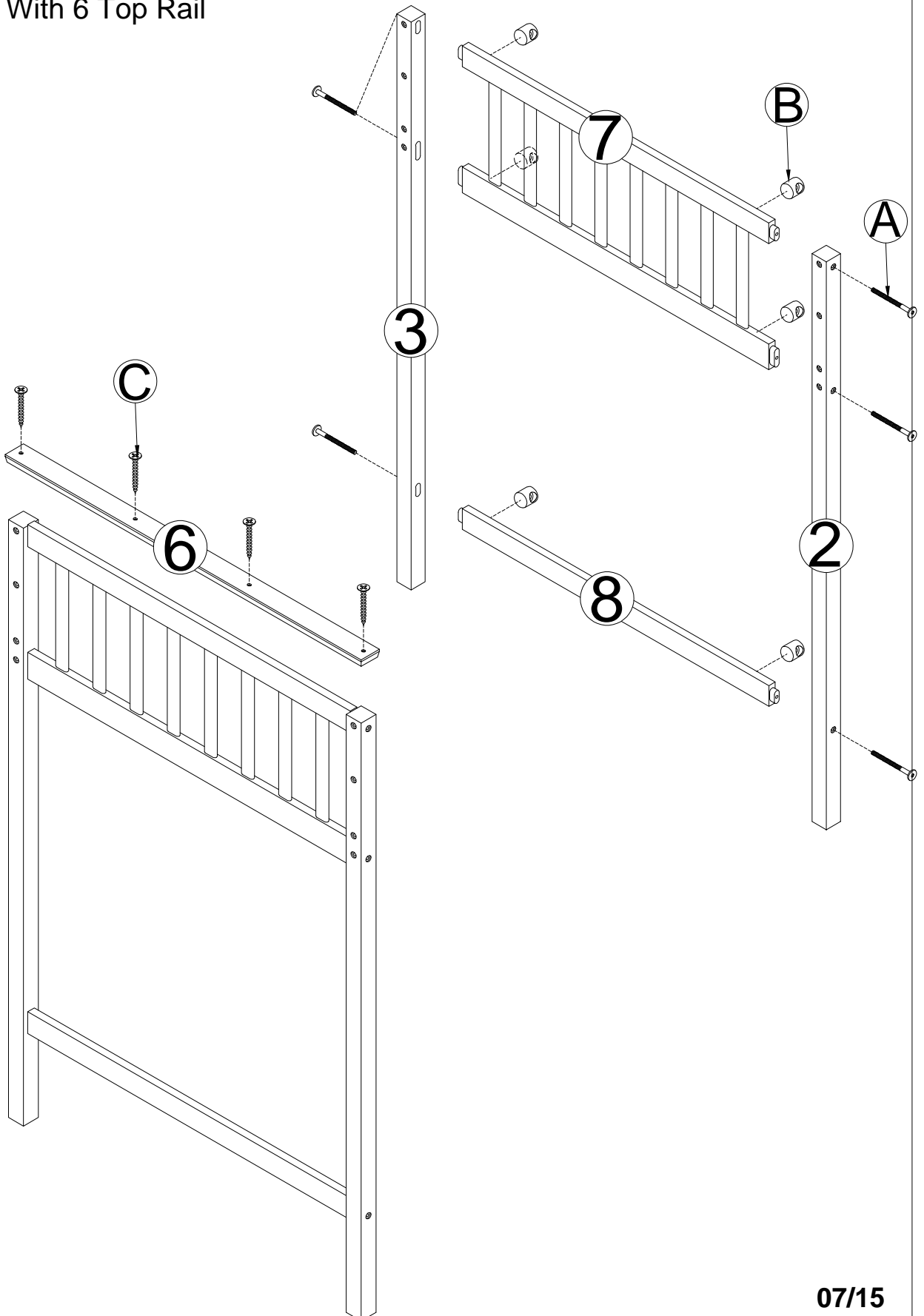
Assembly Tools Required (Not Included)

STEP 1:

1.1: Using HW #A, #B to connect 2,3 Legs with Woodbar 8 Wood bar and 7 Frame

1.2: Using HW #C to connect Frame (completed in step 1.1) With 6 Top Rail

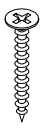
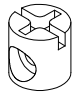
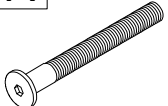
C	B	A
		
4pcs	6pcs	6pcs

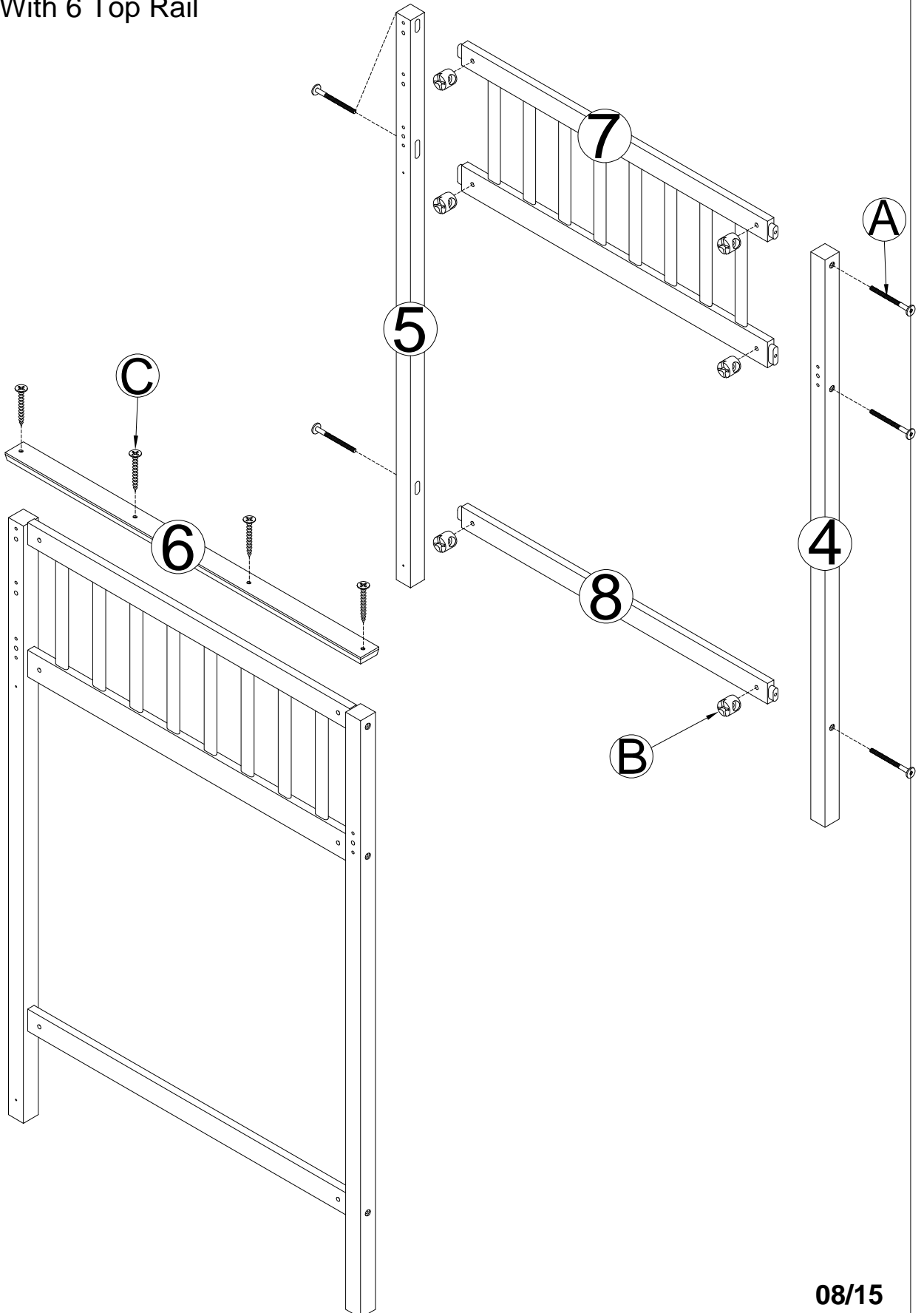


STEP 2:

2.1: Using HW #A, #B to connect 4,5 Legs with Woodbar 8 Wood bar and 7 Frame

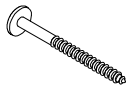
2.2: Using HW #C to connect Frame (completed in step 2.1) With 6 Top Rail

C		B		A	
	4pcs		6pcs		6pcs

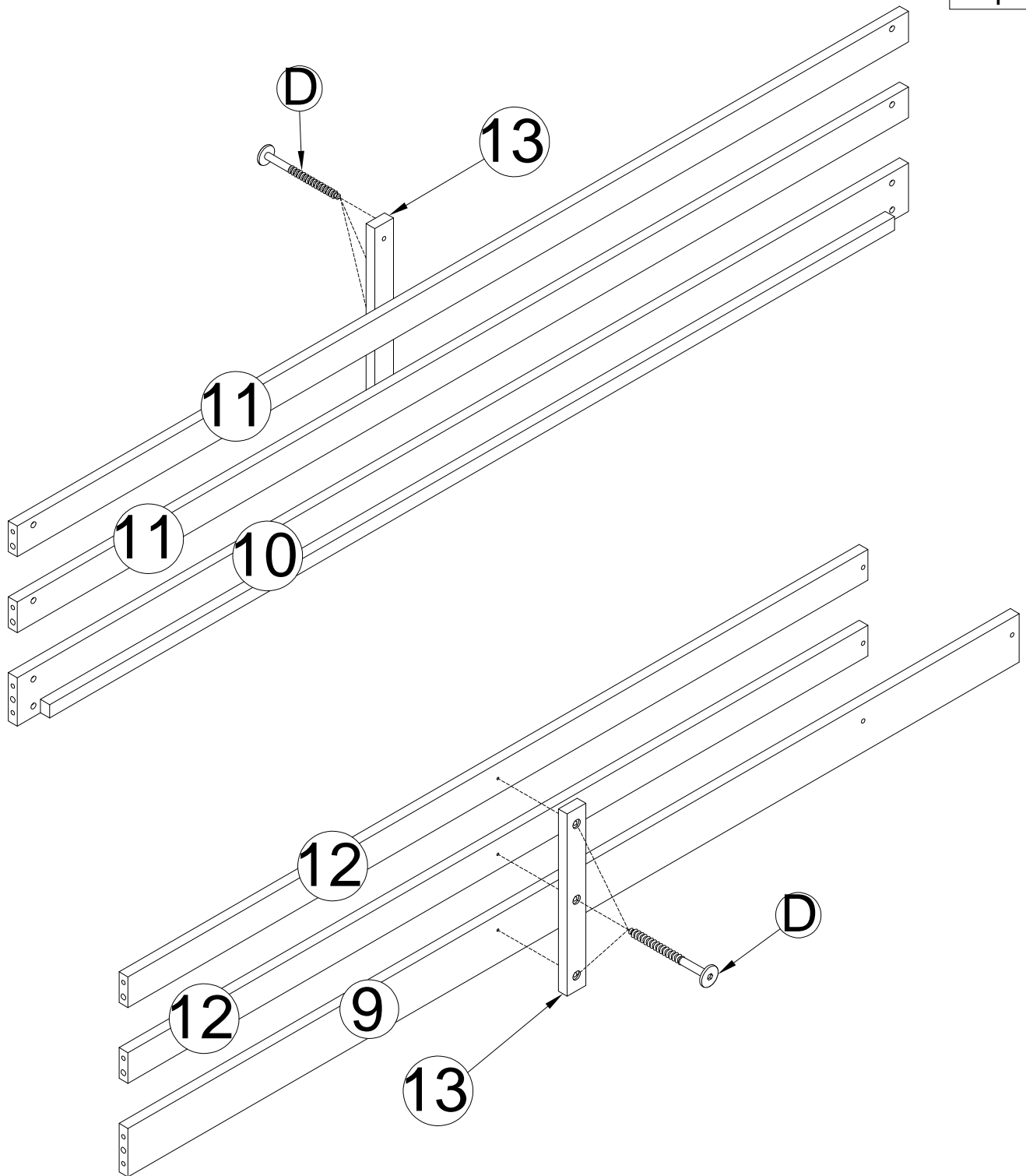


STEP 3:

D


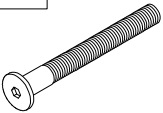



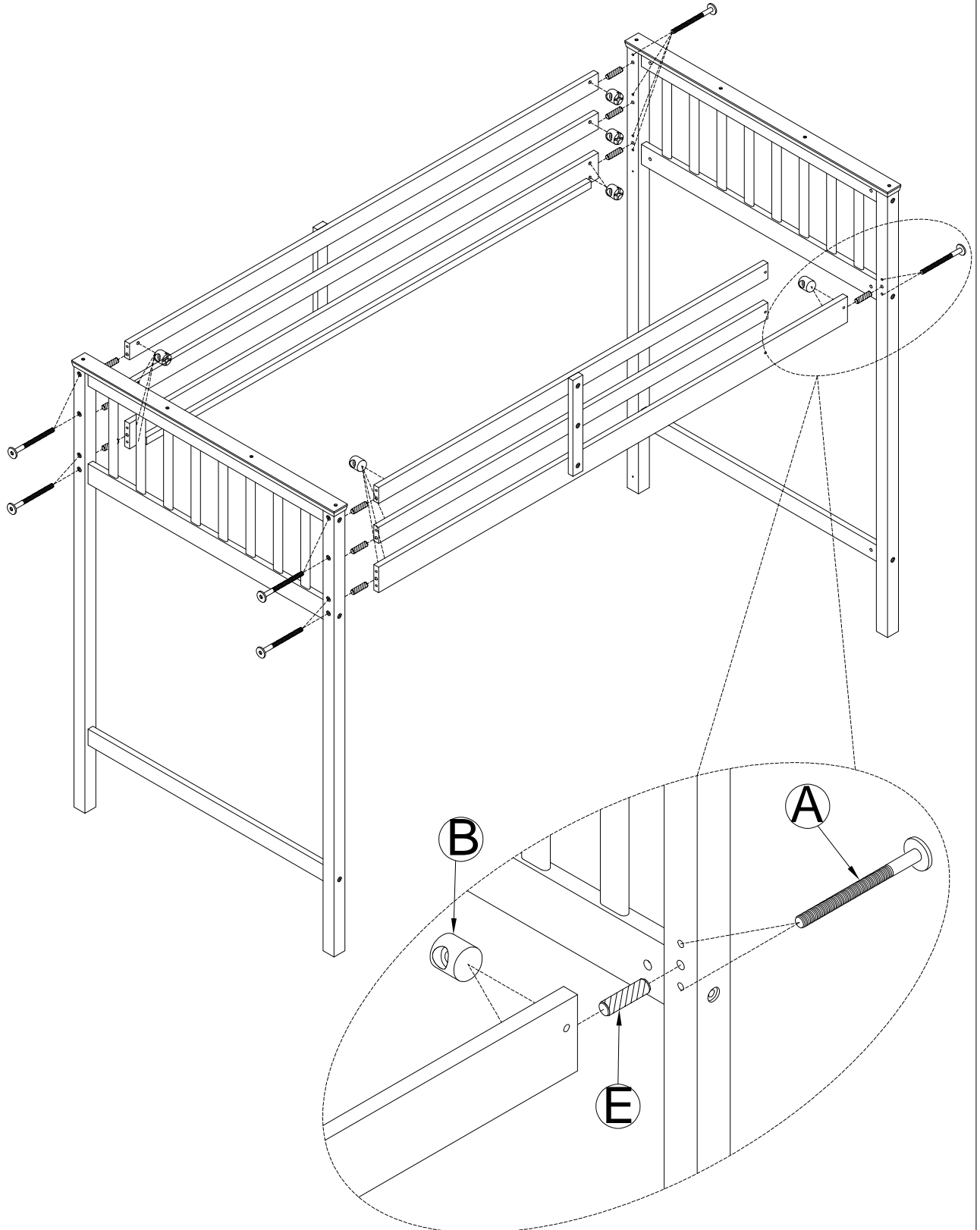
6pcs



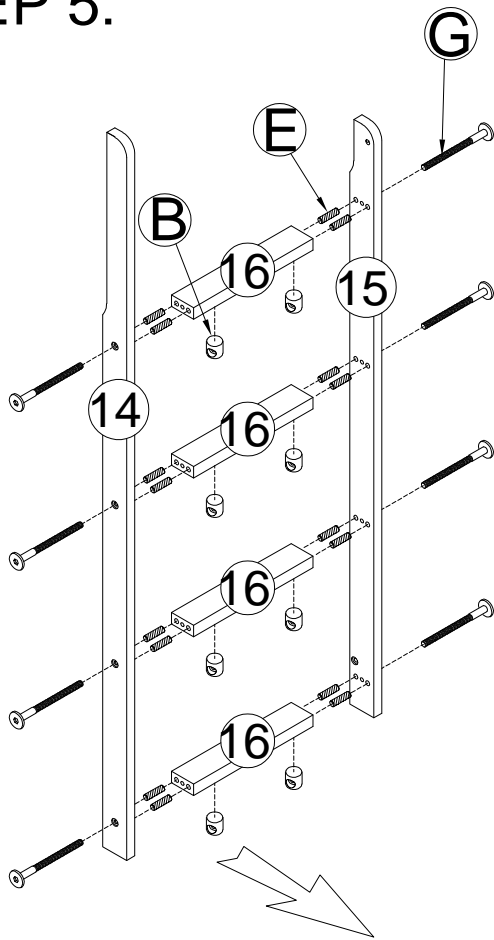
STEP 4:

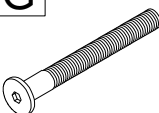

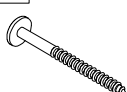

Using HW #A,#B and dowel #E to Assembly
Frames(completed in step 1.2,step 2.2)
with Frame(completed in step 3)
Look at detail view for more detail

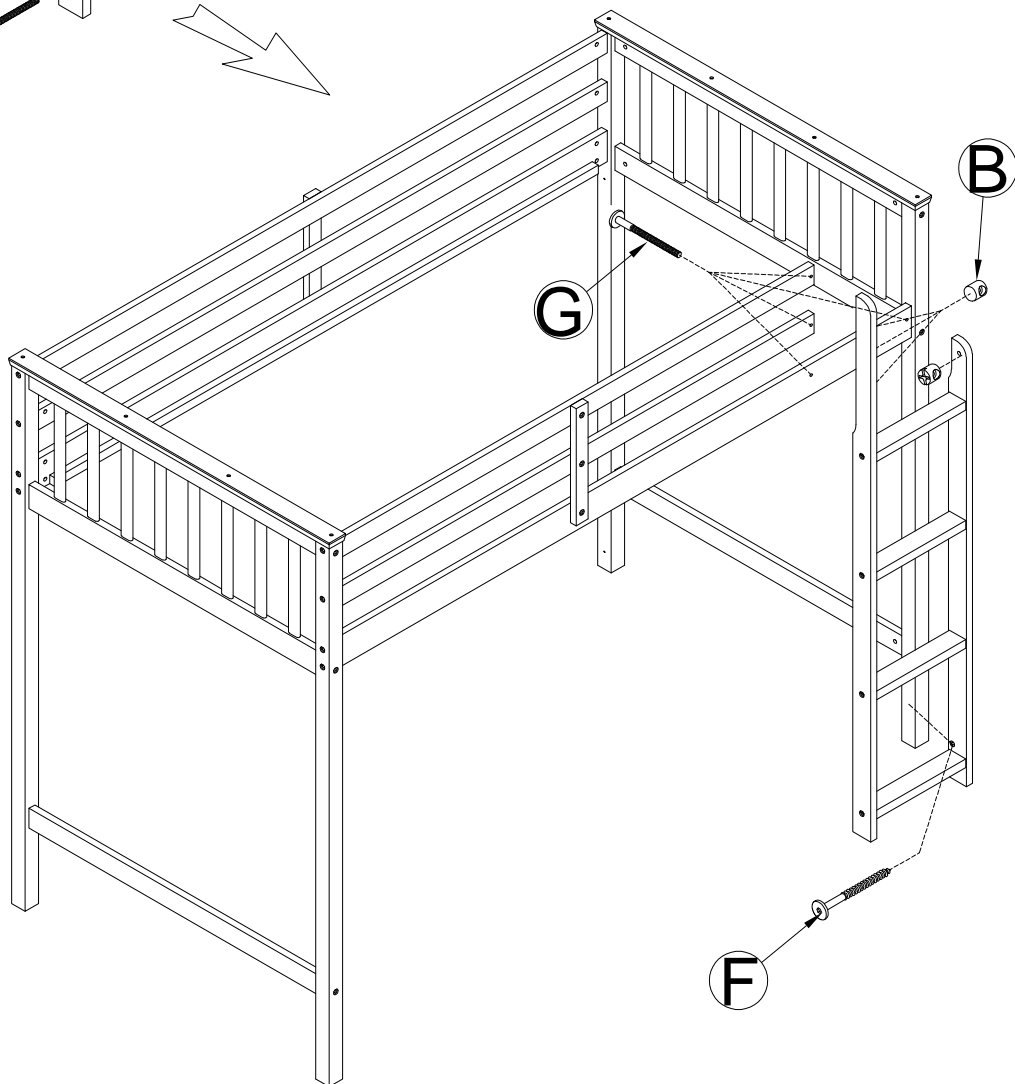
B 	A 	E 
14pcs	14pcs	10pcs



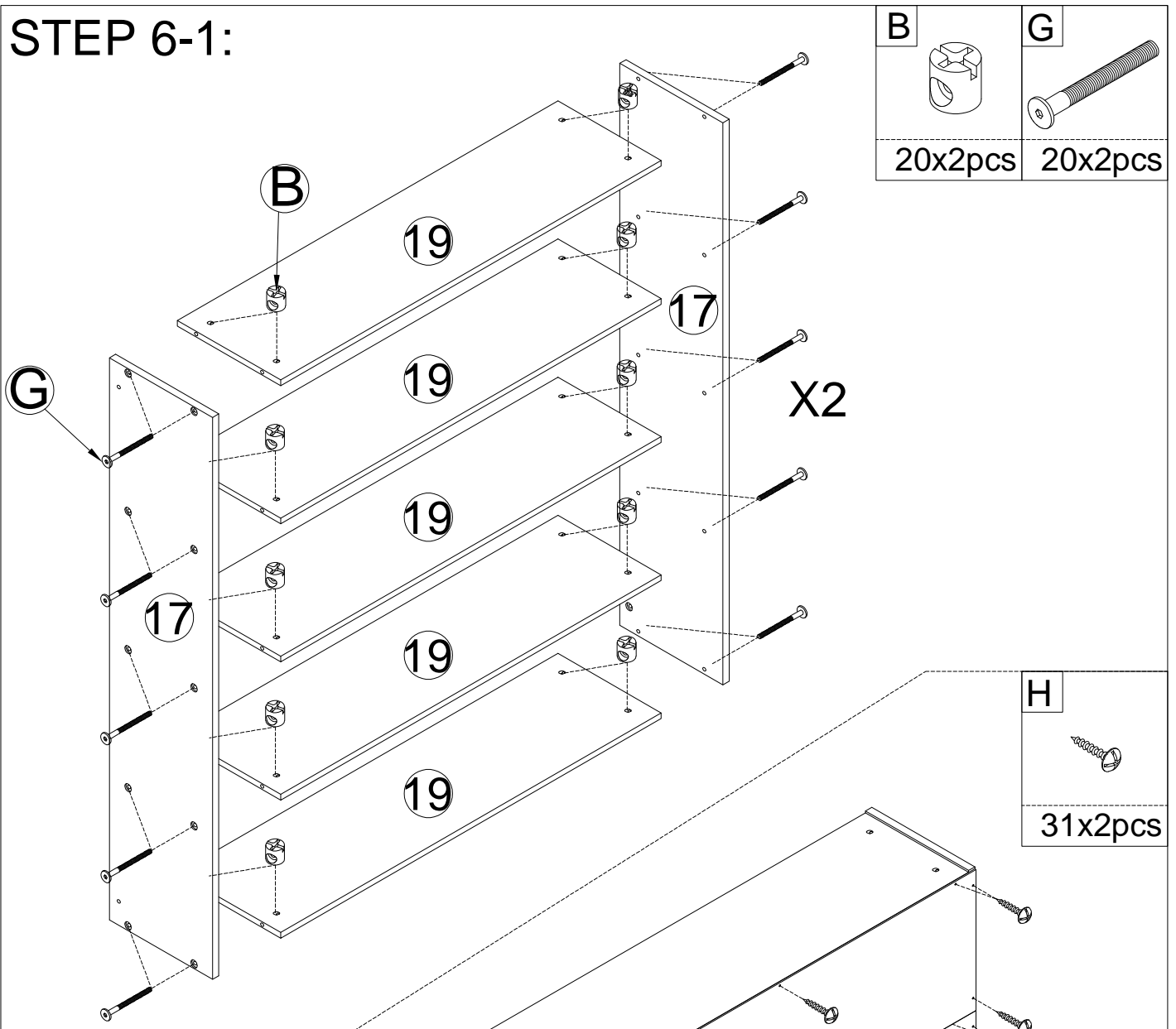
STEP 5:



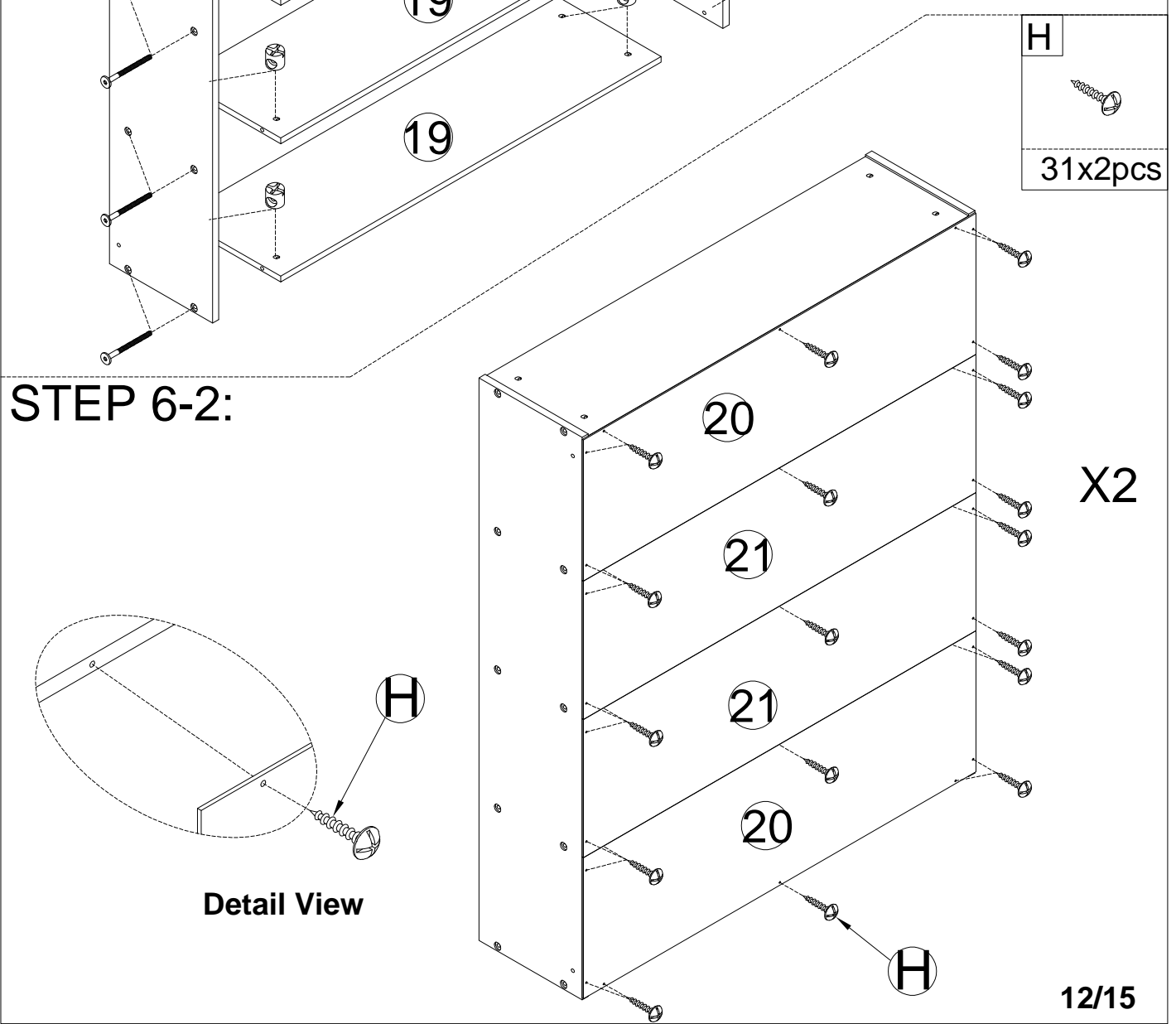
G 	E 
12pcs	16pcs
F 	B 
1pc	12pcs



STEP 6-1:




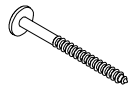

STEP 6-2:

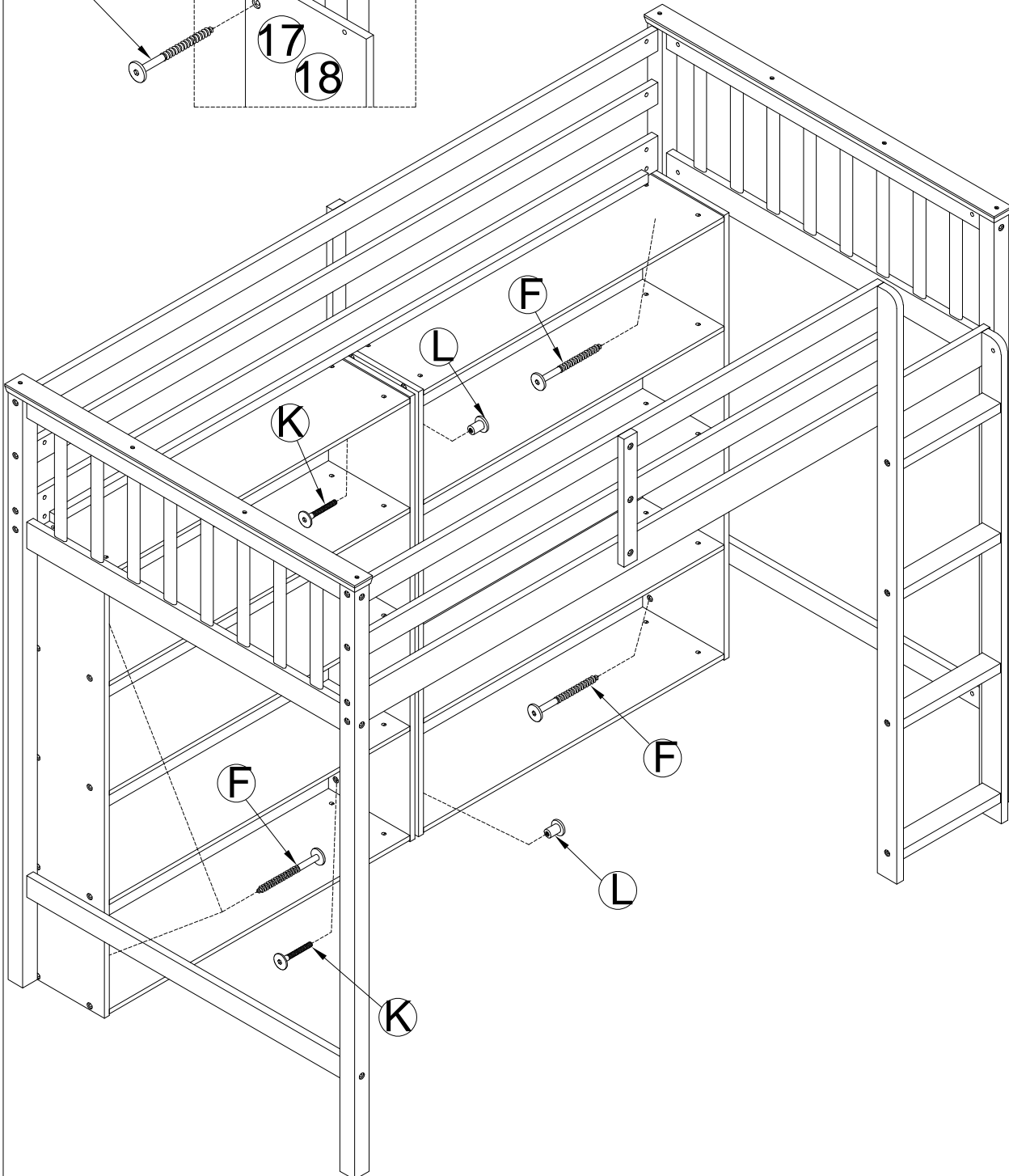
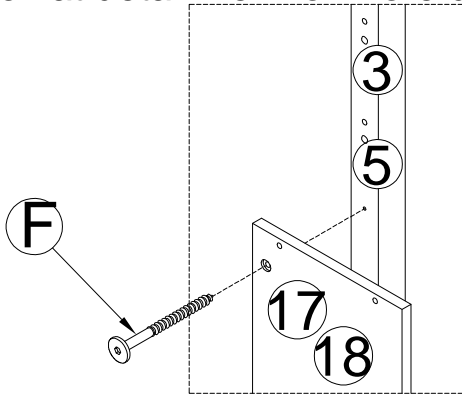


STEP 7:

Using HW #F,#K,#L to Assembly Frame(completed in step 6.2) with Frame(completed in step 5)

Look at detail view for more detail

L	F
	
2pcs	4pcs
	K
	
	2pcs



STEP 8: Following below illustration:

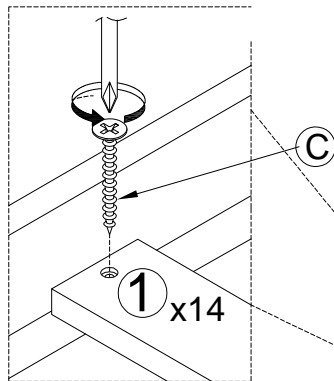
-Using hardware #C to Assembly 14 slats (1)

-Look at detail view

C



28pcs



CONGRATULATION. YOU HAVE COMPLETED THE BED

