

It's a **pleasure** to  
meet you!

### 12 Persons Black



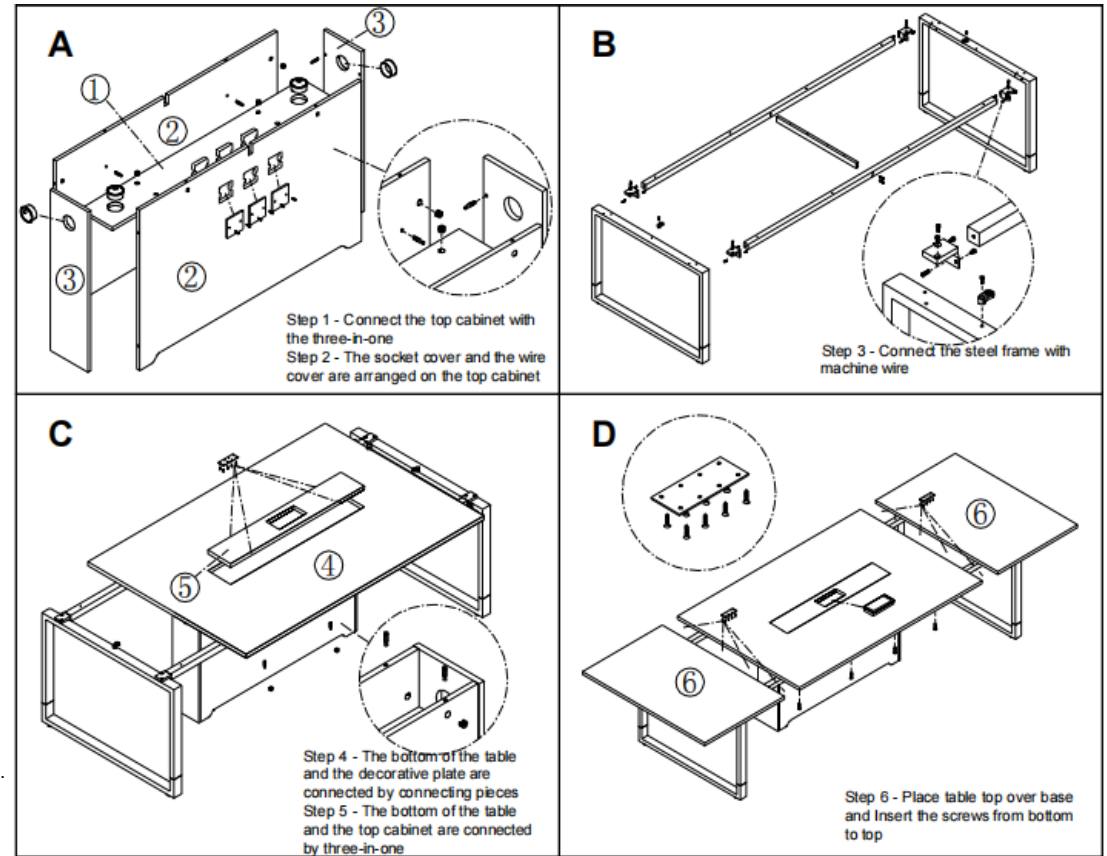
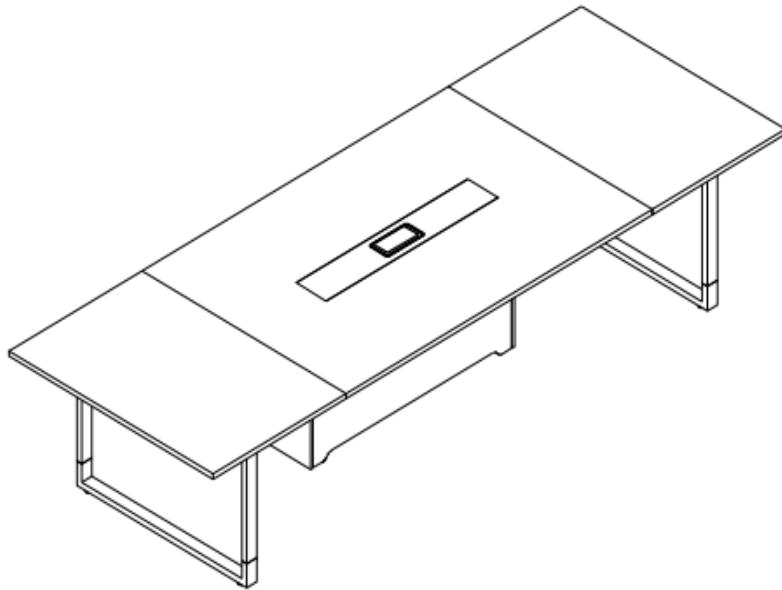
Inspire collaboration

Ignite creativity

Amplify productivity

# ASSEMBLY GUIDE

(12 Persons)



1. 1170*168*15=1	3. 720*200*15=2	5. 1199*157*25=1
2. 1170*720*15=2	4. 2000*1200*25=1	6. 1200*800*25=2

Meeting Table-12 Persons						(Parts List)					
Line	Name	Picture	Qty	Line	Name	Picture	Qty	Line	Name	Picture	Qty
1	Three in one screw		16	6	Casting joint		4	11	Hexagon wrench		2
2	White Band stickers		12	7	Little tray		2	12	Connecting piece		12
3	Wire cover		4	8	8 cm hemming machine silk		4	13	4*16 Self-tapping screw		96
4	Socket cover		3	9	6 cm hemming machine silk		20	14	4*20 Self-tapping screw		14
5	4*12 Self-tapping screw		6	10	6 cm cylinder head silk		2	15	Wire box		1

## USE TIPS

1. Two bolts for each leg, please make sure both bolts are fastened securely
2. Fasten both sides. Do not fasten one fully first then the other, as it will cause the table to be unstable.
3. After all legs are assembled, gently waggle the legs to verify if the legs were fastened tightly
4. Repeat this action 2-3 times to ensure all table legs are installed stably.

## WARNING / DISCLAIMER

Make sure all bolts and screws are fully tightened before using the desk.  
Lubricate and tighten all parts such as the bolts and screws every 6 months or as needed.  
To ensure good assembly, follow all steps and use all parts.  
Failure to follow the assembly instructions can result in serious injury to you or others.