

# NOTICE

- \* Please make sure that you have all parts indicated and they are in good condition before you begin assembly of this item. Refer to part list and hardware list below for guidance.
- \* This item should be assembled on a soft surface to prevent scratching the finish during assembly.
- \* This item may require periodic tightening.

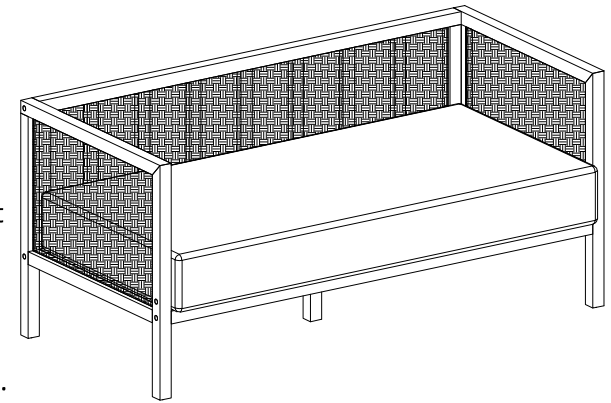
# PREPARATION

- \* Before beginning assembly of product, make sure all parts are present. Compare parts with part contents list and hardware contents list.
- \* If any part is missing or damaged, do not attempt to assemble the product.
- \* Estimated Assembly Time: 15 minutes.
- \* Tools Required for Assembly: Allen key (included).

# CARE AND MAINTENANCE

- \* Dust regularly with small brush or vacuum. Spills should be taken care of immediately before they harden or stain, by wiping with a soft, damp cloth. Do not rinse with high pressure hose. Use a sponge with mild detergent and warm water to remove hard stain or soil. Allow it air dry completely in a shady spot before re-using.
- \* To prevent overall soiling, frequent vacuuming or light brushing is recommended. Cushions and pillows should be turned on a weekly basis. Down-filled cushions should be brushed rather than vacuumed. Spot clean, using a mild water-free solvent or dry cleaning product. Only a professional cleaner should undertake a complete overall cleaning. The use of steam or water-based cleaners may cause excessive shrinking or staining.

Product Dimensions: 62.2" W x 28.9" D x 28.9"H



**! WARNING !**

Weight capacity: 800 LBS  
 Warning: Do not stand on Chair  
 Warning: Do not over torque Bolts

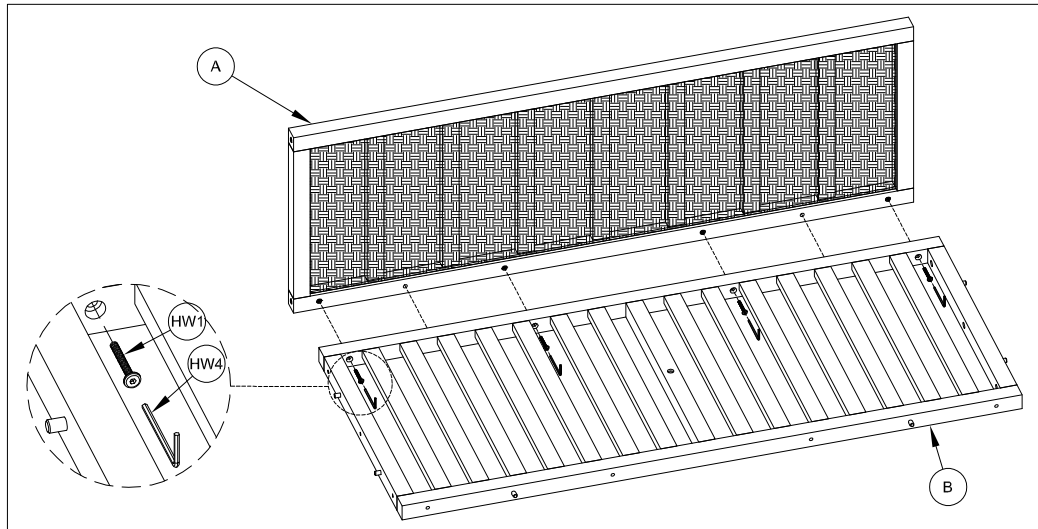
## Part List and Hardware List

PIECE	DESCRIPTION	PICTURE	QUANTITY
A	Back Frame		1X
B	Seat Frame		1X
C	Horizontal Brace		1X
D	Armrest-1		1X
E	Armrest-2		1X
F	Center Leg		1X

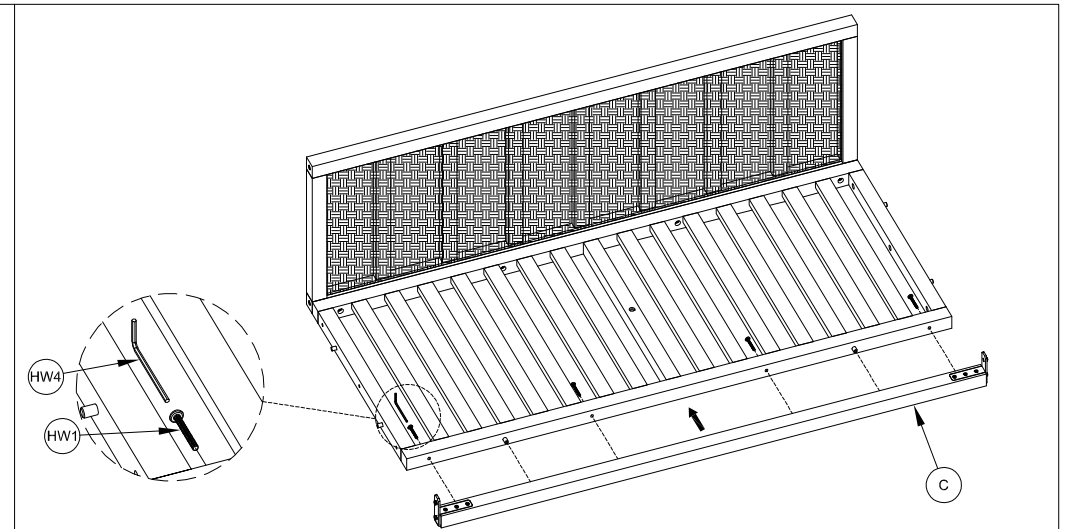
G	Seat Cushions		1X
HW1	Socket Bolts M6x1.0x45mm		19X
HW2	Socket Bolts M6x1.0x25mm		4X
HW3	Wooden Cap Ø16xØ14x12		8X
HW4	Allen Key		1X

# PREPARATION

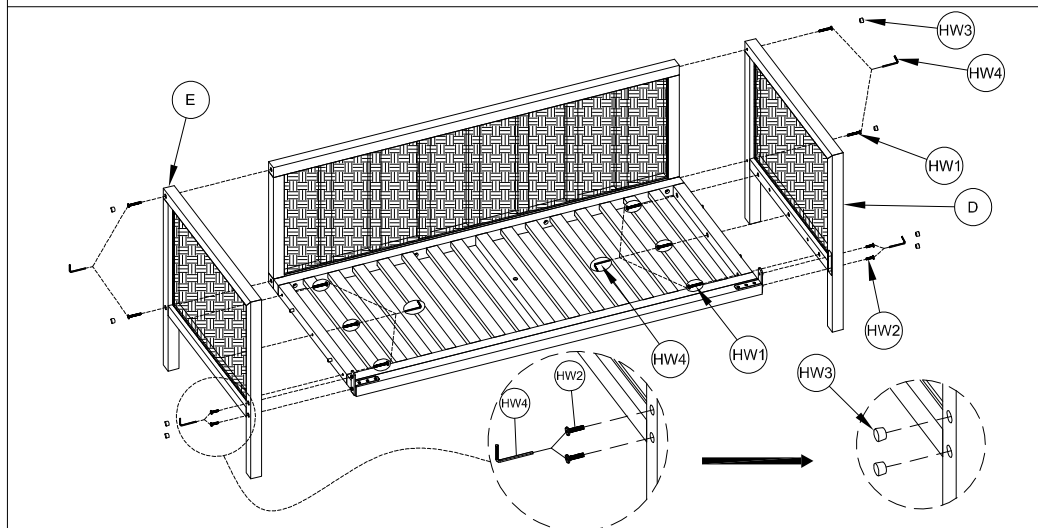
- \* Before beginning assembly of product, make sure all parts are present. Compare parts with part contents list and hardware contents list.
- \* If any part is missing or damaged, do not attempt to assemble the product.
- \* Estimated Assembly Time: 15 minutes.
- \* Tools Required for Assembly: Allen key (included).
- \* If you are having difficulty, our friendly Customer Care team is always here to help. Please email [customersupport@safavieh.com](mailto:customersupport@safavieh.com)



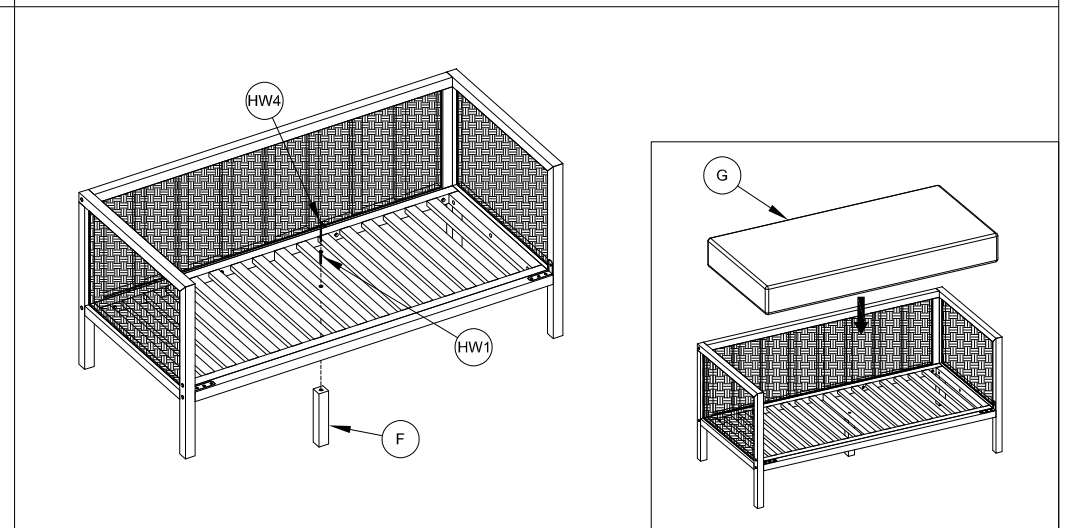
STEP 1: Attach the seat frame to the back frame. Make sure to apply all the bolts into the holes properly before tightening.



STEP 2: Attach the horizontal brace to the seat frame. Make sure to apply all the bolts into the holes properly before tightening.



STEP 3: Attach the armrest-1 and the armrest-2 as illustrated in picture. Make sure to apply all the bolts into the holes properly before tightening.



STEP 4: Attach the center leg as illustrated in picture. Make sure to apply the bolts into the holes properly before tightening.