

SPECIFICATION / BREAK DOWN

4pc Roman Tub Filler

Description

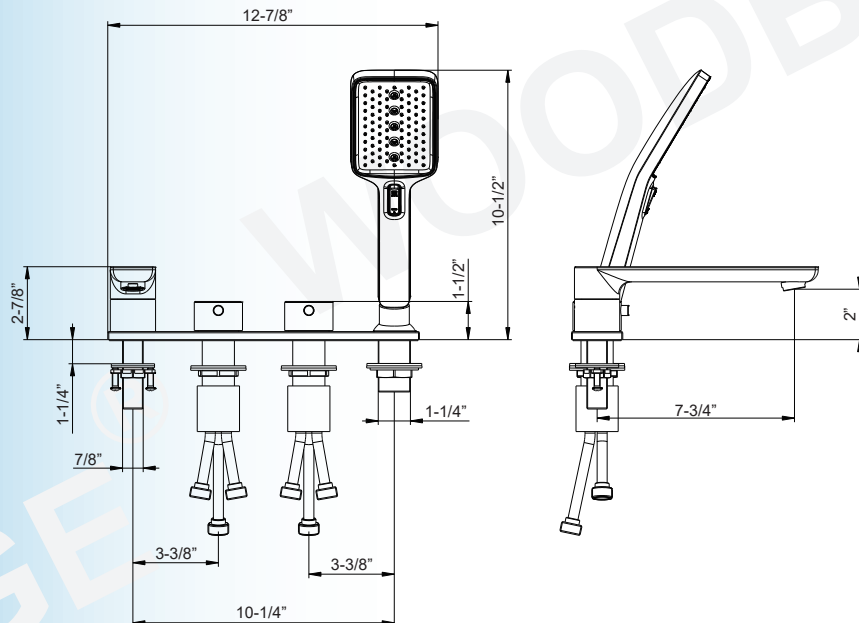
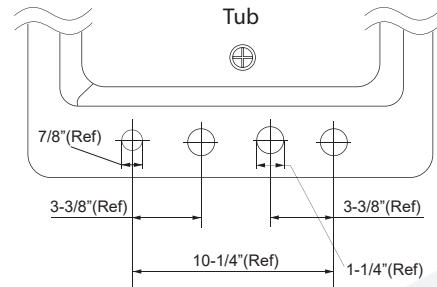
- 4-hole, 10-1/4" spread deck mopunt tub filler
- Solid brass spout
- Ceramic disc cartridges

Standards

- ASME A112.18.1 compliant
- ADA Accessibility Guidelines for Buildings and Facilities- 4.27.4 Controls and Mechanisms

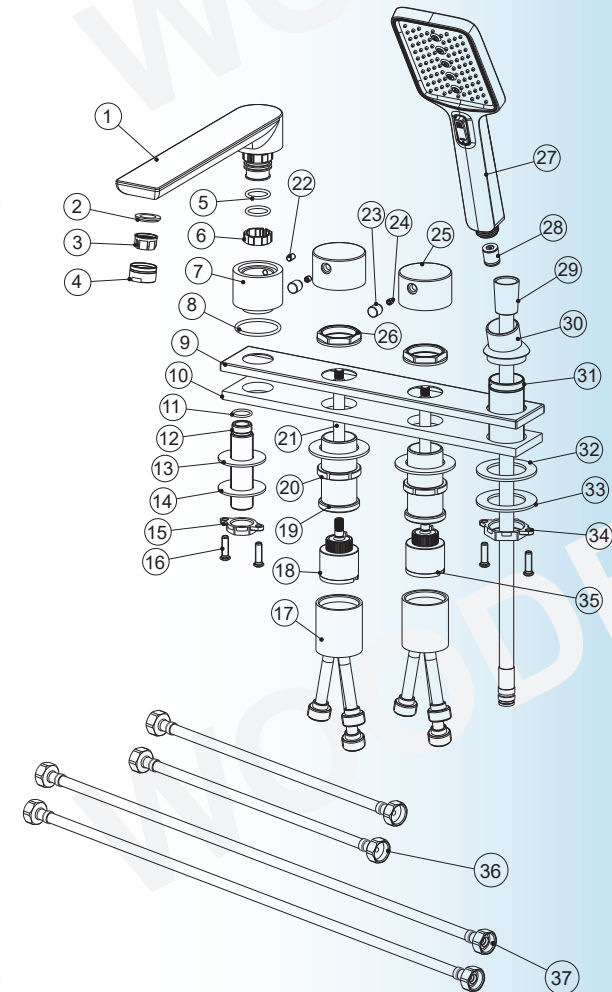
Colors / Finishes

- PC-Chrome
- BN-Brushed Nickle
- MB-Matte Black
- BG-Brushed Gold



Break Down

#	Component
1	Spout
2	Washer
3	Aerator
4	Aerator Housing
5	O-Ring
6	Plastic Ring
7	Support
8	O-Ring
9	Deck plate
10	Rubber pad
11	O-Ring
12	Take Over
13	Washer
14	Metal Washer
15	Lock Nut
16	Screw
17	Valve
18	Cartridge
19	Take Over
20	Lock Nut
21	Stems
22	Screw
23	Joint
24	Screw
25	Handle Cover
26	Lock Nut
27	Spray Head
28	Check Valve
29	Handshower Hose
30	Shower post
31	Shank Pipe
32	Washer
33	Metal Washer
34	Lock Nut
35	Cartridge
36	Flexible Hose(G1/2-300)
37	Flexible Hose(G1/2-750)



Please don't hesitate to contact us if you have any questions or concerns.

Customer Service Phone: 562-229-0088. (Monday - Friday 9 AM - 5 PM Pacific Time)

Or Email: help@woodbridgebath.com

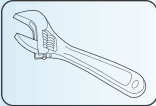


SCAN ME

ROMAN TUB FILLER WITH HANDSHOWER

Faucet installation

Tools You Will Need for installation



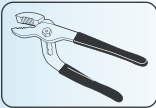
Adjustable Wrench



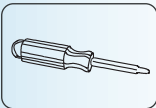
Pipe Tape



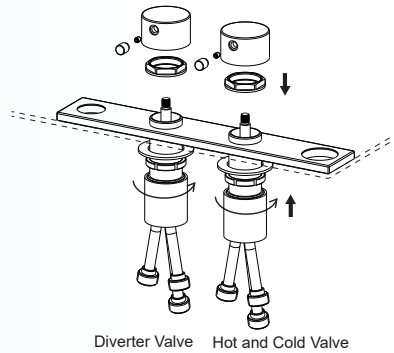
Silicone Caulking



Groove joint plier



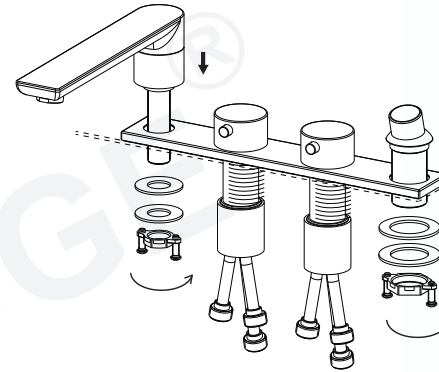
Screwdriver



Diverter Valve Hot and Cold Valve

1 Begin installing valve and transfer valve assemblies:

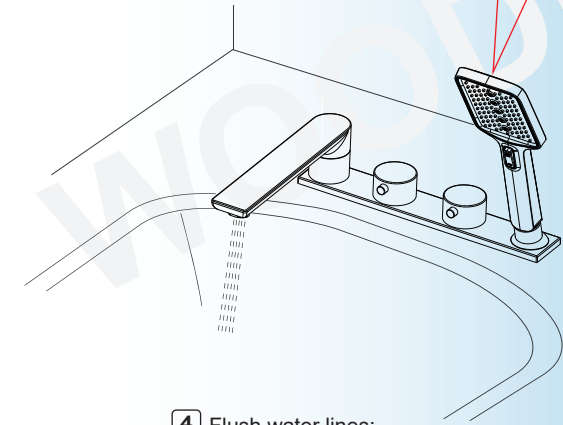
First make sure that the bottom lock nut and washer are installed on to the valve. Next, from underneath the deck surface slide hot side valve assembly up through left hole in counter. Next screw the lock nuts and handles onto the top of the valve. The height of the valve can be adjusted by tightening and loosening the bottom and top lock nuts. When finished installing the diverter valve then installing the hot and cold valve as show in the picture.



2 Install spout and shower post:

First install the spout shank through the center on the left hole and secure from the bottom with washers and locknut. Once the spout shank been installed, install spout onto the quick connect nipple of the spout shank. Ensure the gasket under rim of spout is firmly seated in groove. Insert handshower post on the right hole and secure with washers and lock nut.

The pause control button is a non-positive shut off, it just temporary holds water with pressure while user is using spout to bath, as a reminder that tub filler faucet is still on. Remember to TURN OFF shower control switch after bathing to avoid shower hose or hand shower to burst and caused water flood.

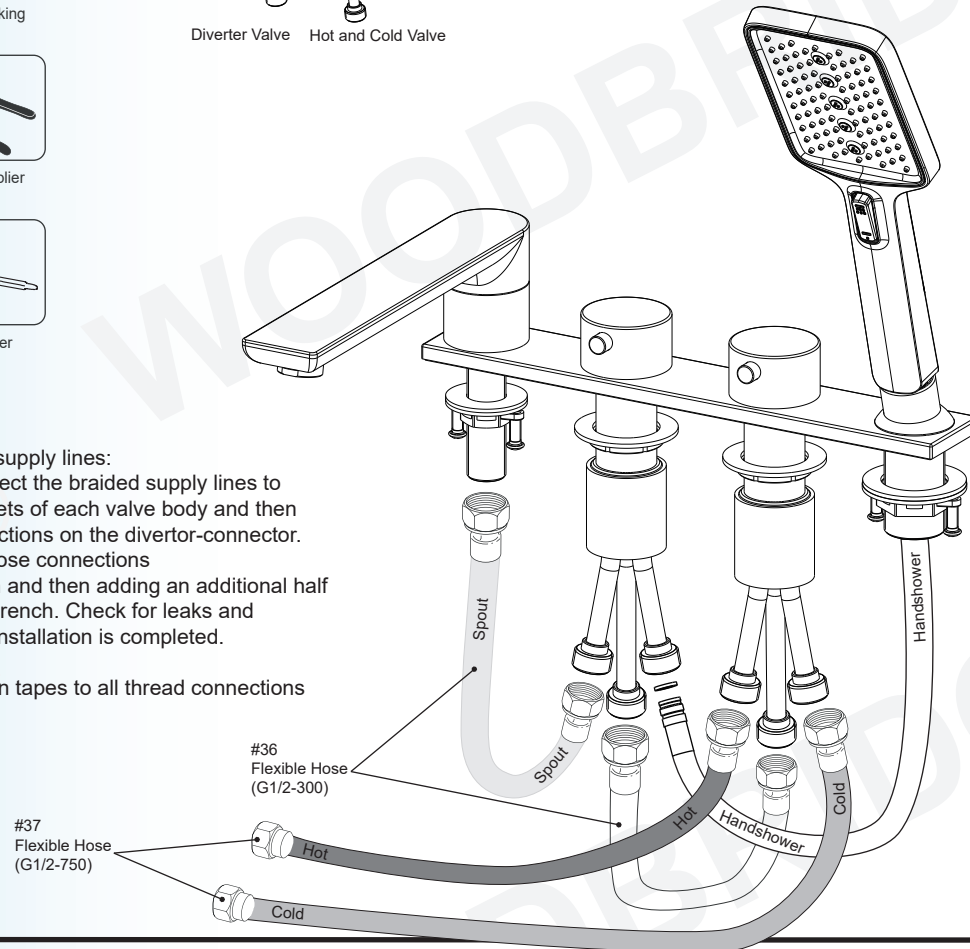


3 Connecting supply lines:

Finally, connect the braided supply lines to the side outlets of each valve body and then to the connections on the diverter-connector. Tighten all hose connections

Hand tighten and then adding an additional half turn with a wrench. Check for leaks and adjust after installation is completed.

- Apply teflon tapes to all thread connections



4 Flush water lines:

Turn main water supply on. Open other faucets around the house to minimize water hammer. Remove the aerator piece from the spout. Turn on both faucet handles and let run for two minutes to clear any debris. Replace aerator. Check for leaks while faucet is running. If you experience and difficulties during installation contact a plumber or plumbing professional with faucet installation experience for further support.