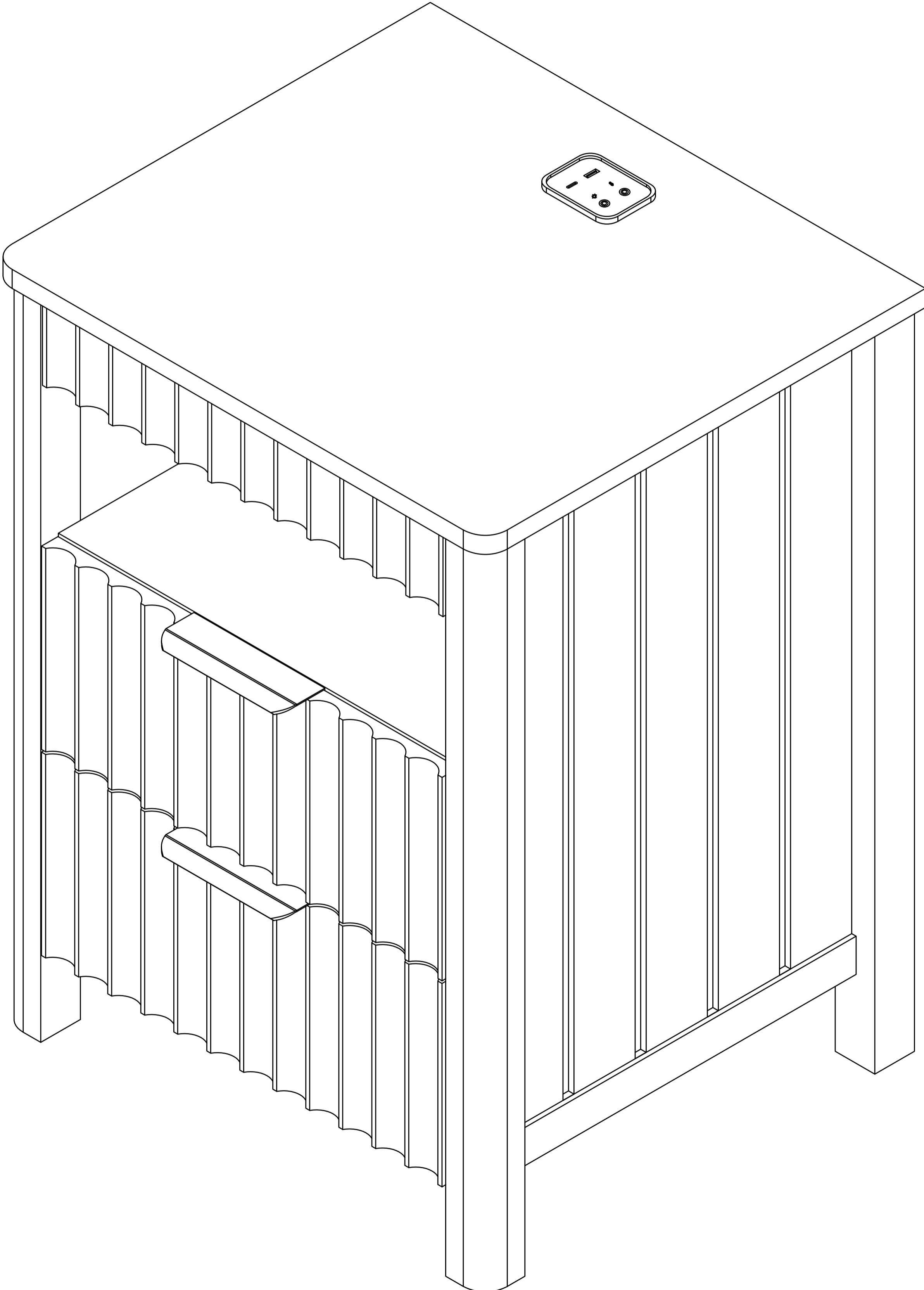
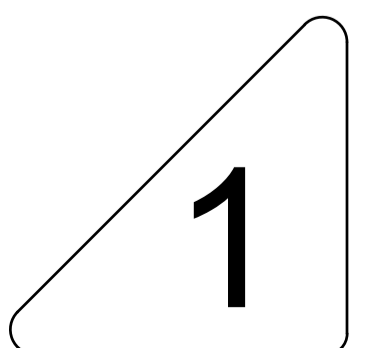
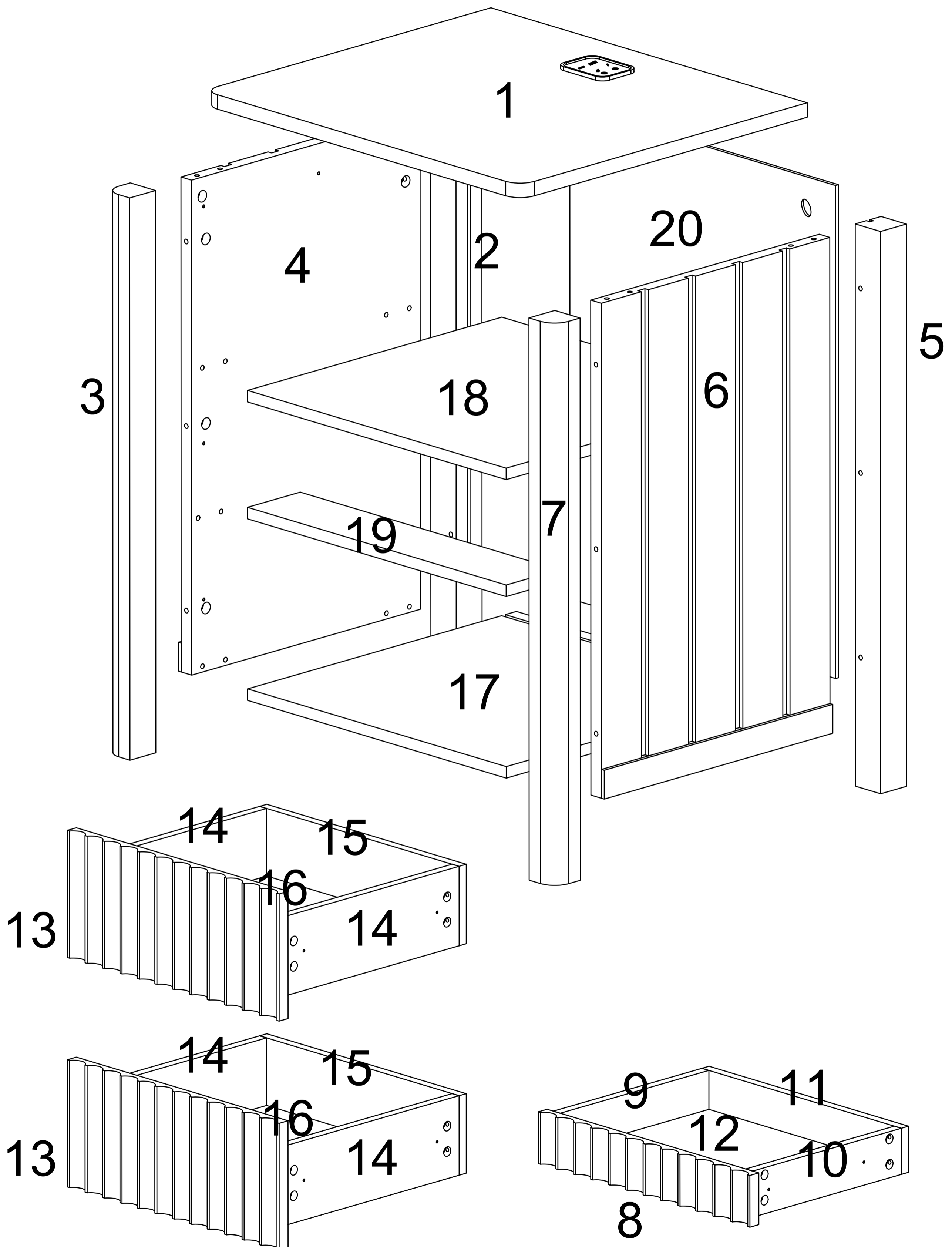


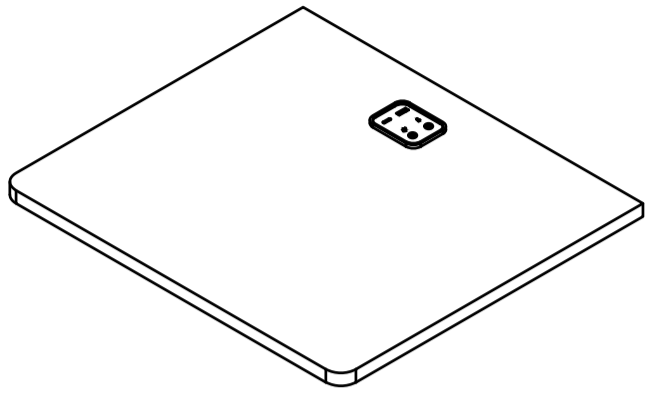
91104 Product Installation Instructions



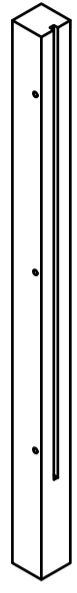
Product structure decomposition



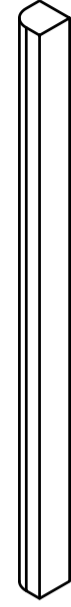
Hardware list



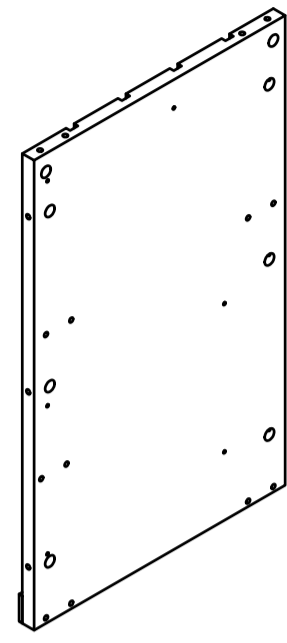
1x1



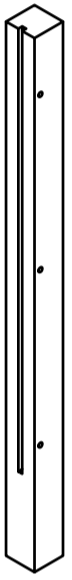
2x1



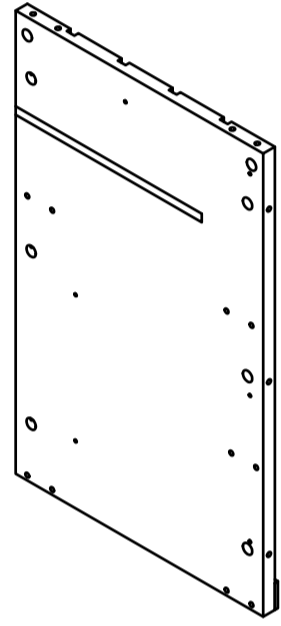
3x1



4x1



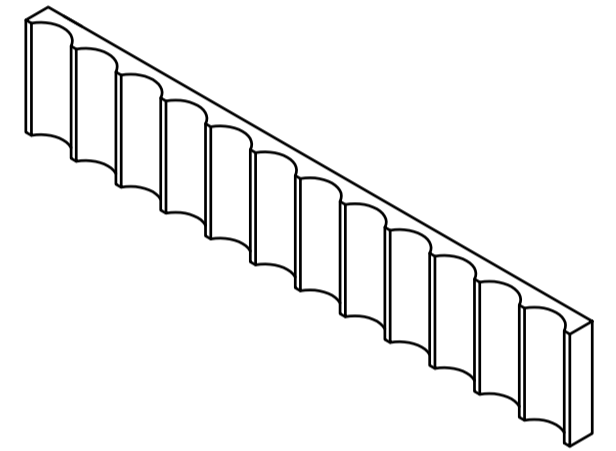
5x1



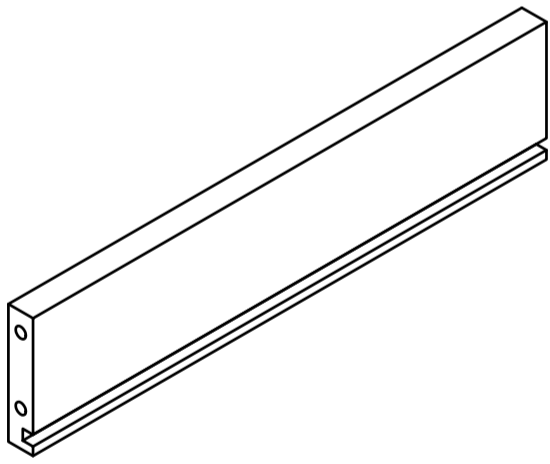
6x1



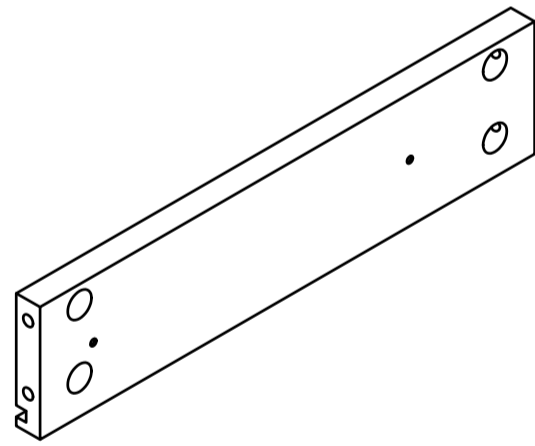
7x1



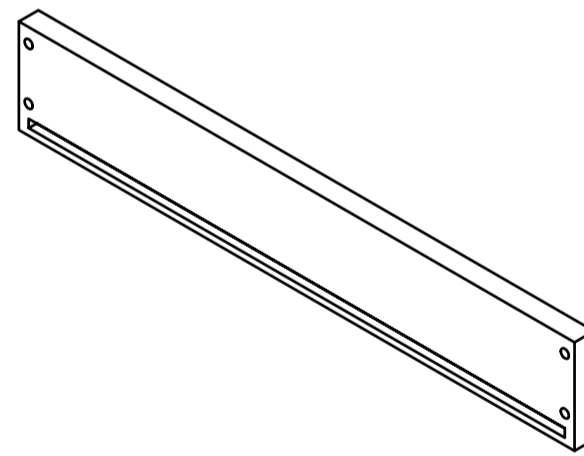
8x1



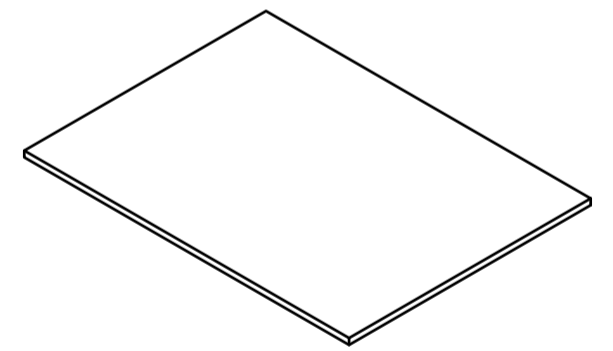
9x1



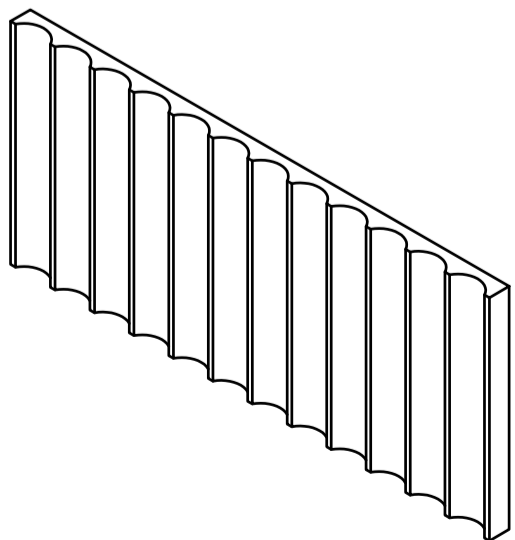
10x1



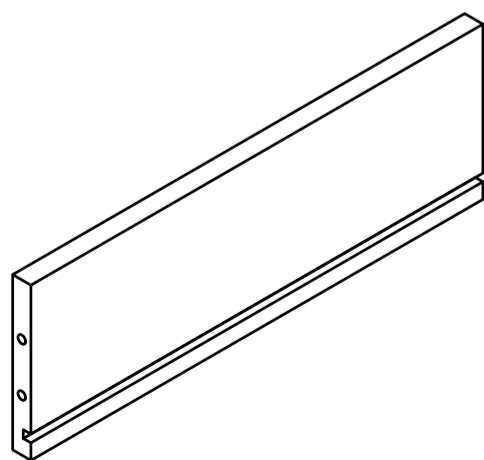
11x1



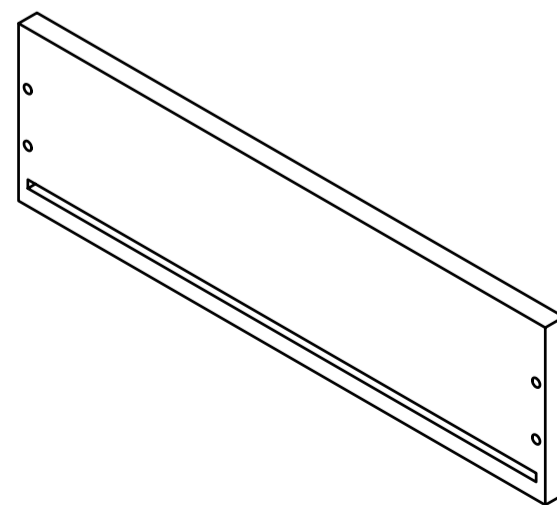
12x1



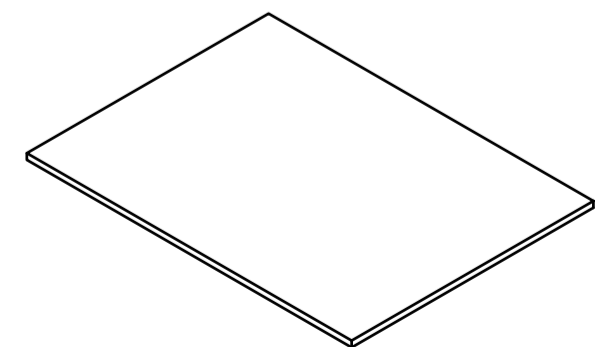
13x2



14x4



15x2

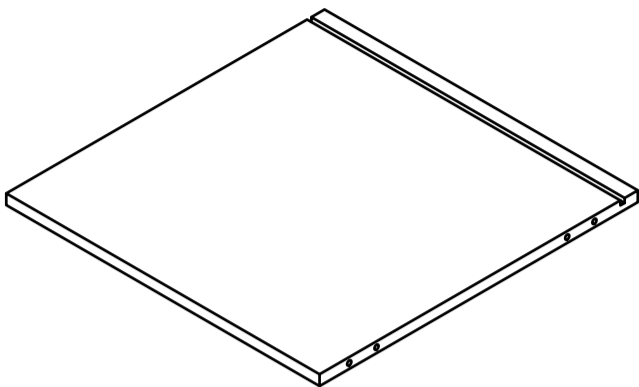


16x2

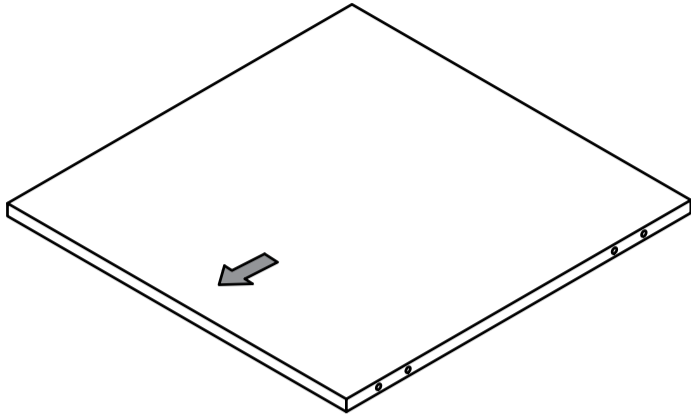
2

SY

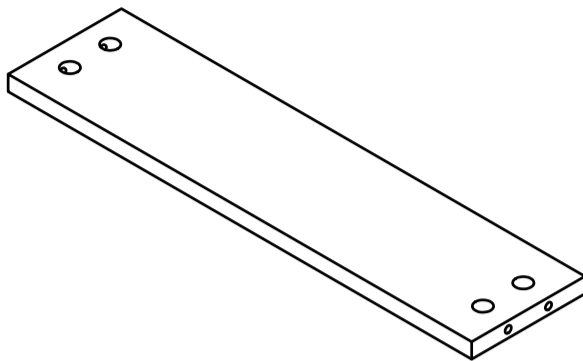
Hardware list



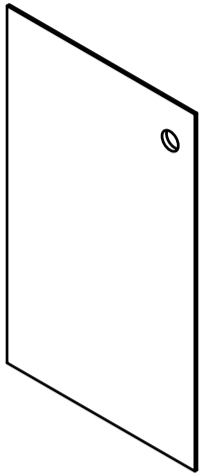
17x1



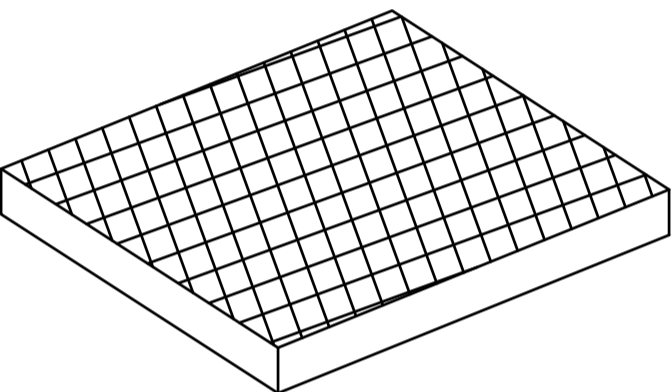
18x1



19x1

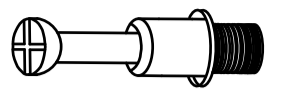

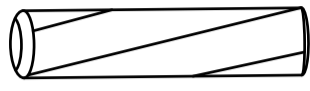
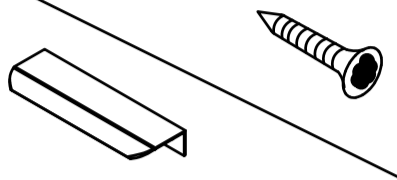
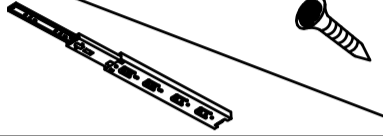
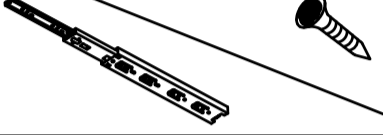
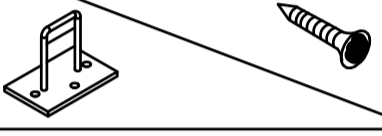
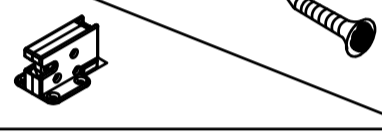

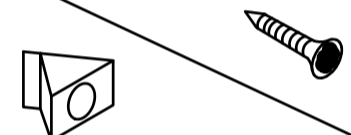
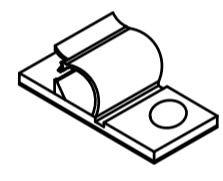
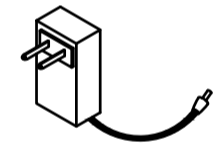
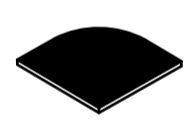
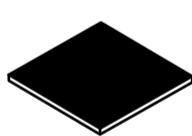


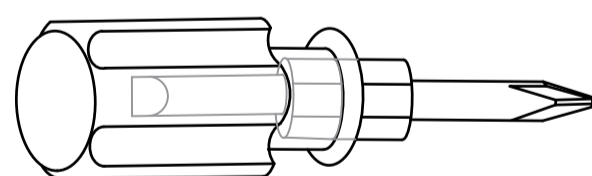
20x1



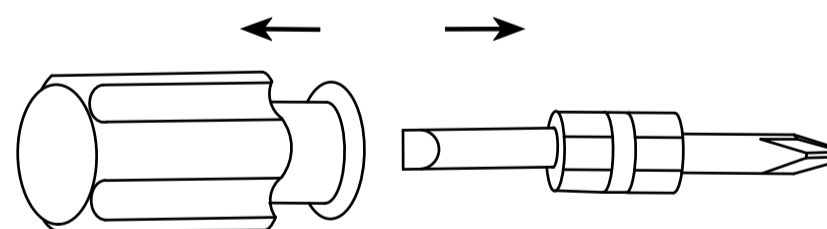
21x1

Accessories list

A		Two in one screw (6x28mm)	52pcs
B		Two in one nut (10x12mm)	52pcs
C		Wood chipping (6x30mm)	12pcs
D		Handle & screw (4x8mm)	4pcs 2pcs
E		Screw & Guide(10 inch) (3.5x12mm)	10pcs +1pcs 2pcs
F		Screw & Guide(12 inch) (3.5x12mm)	20pcs +1pcs 4pcs
G		concealed lock & Screw(3x12mm)	3pcs 1pcs
			4pcs 1pcs
			1pcs
H		Back plate buckle & Screw (3x16mm)	4pcs 4pcs
I		Clamp	1pcs
J		AC/DC Adapter (12V=2.0A)	1pcs
K		Foot pads 36*36x2mm-R20	2pcs
L		Foot pads 36*36x2mm	2pcs

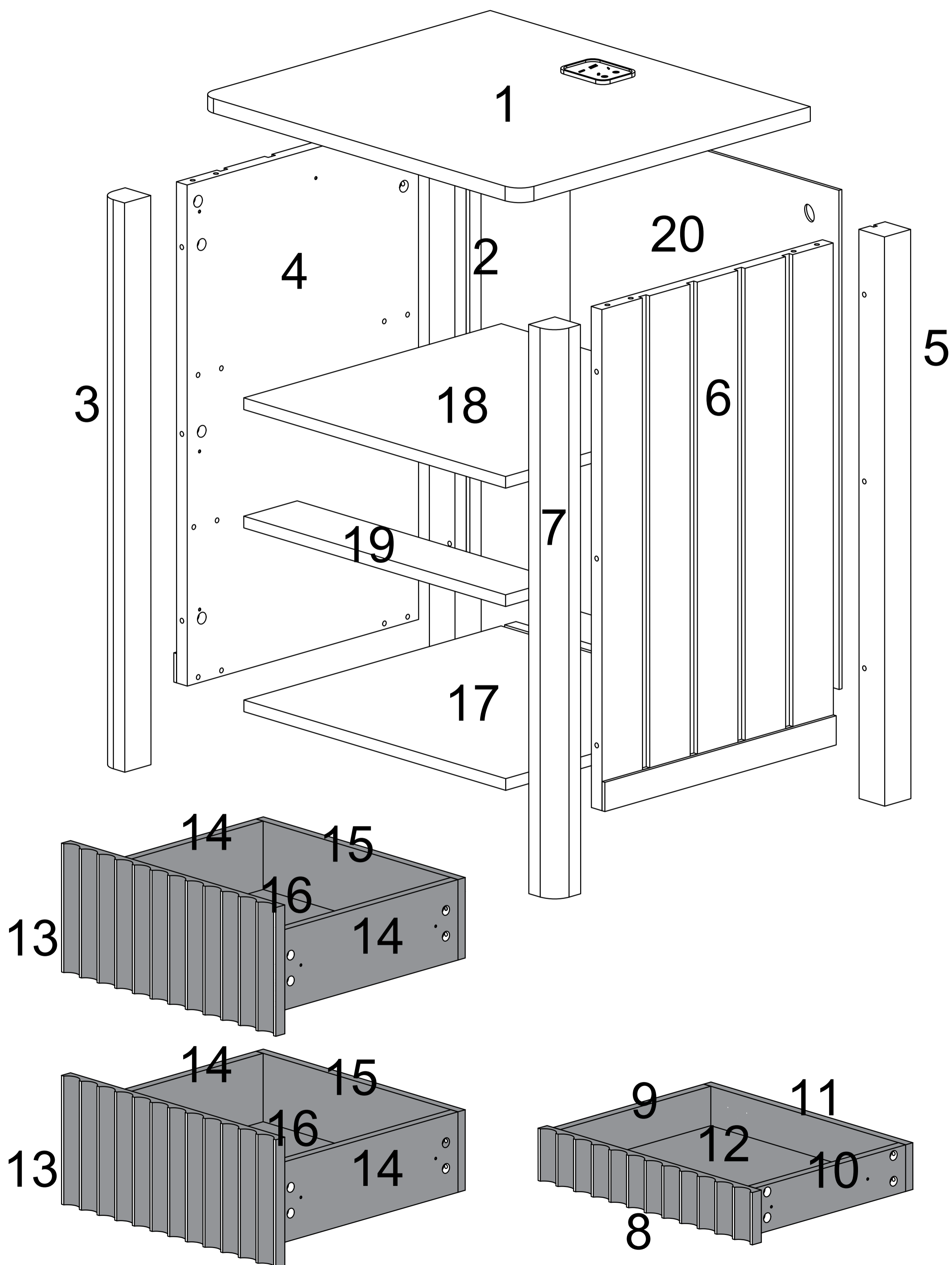


1pcs



Double-head screwdriver, use as required

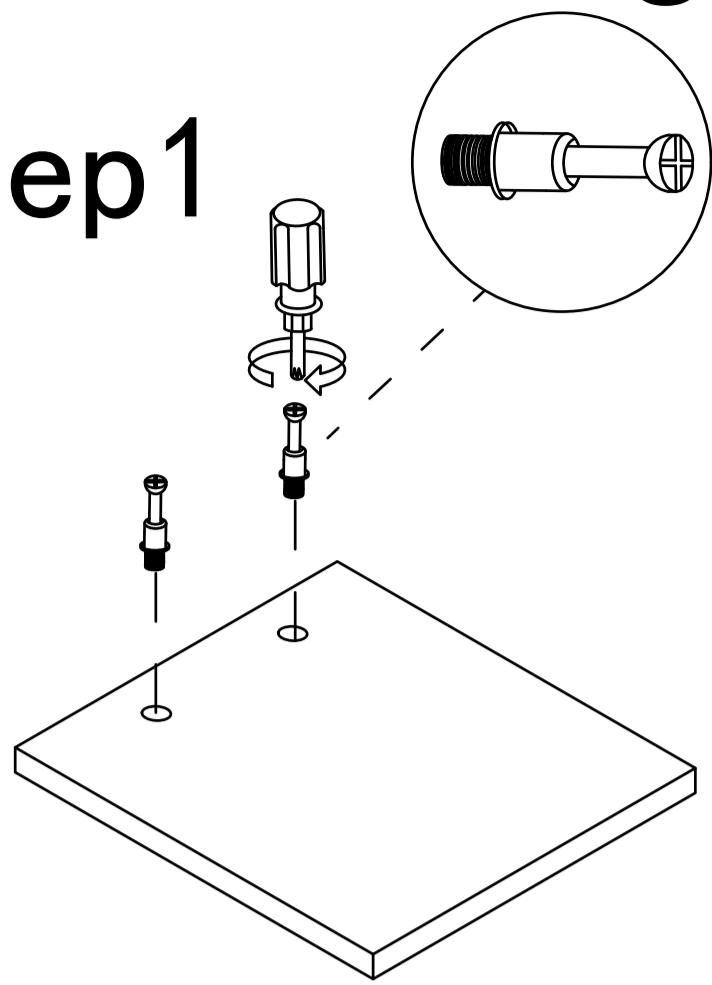
Product structure decomposition



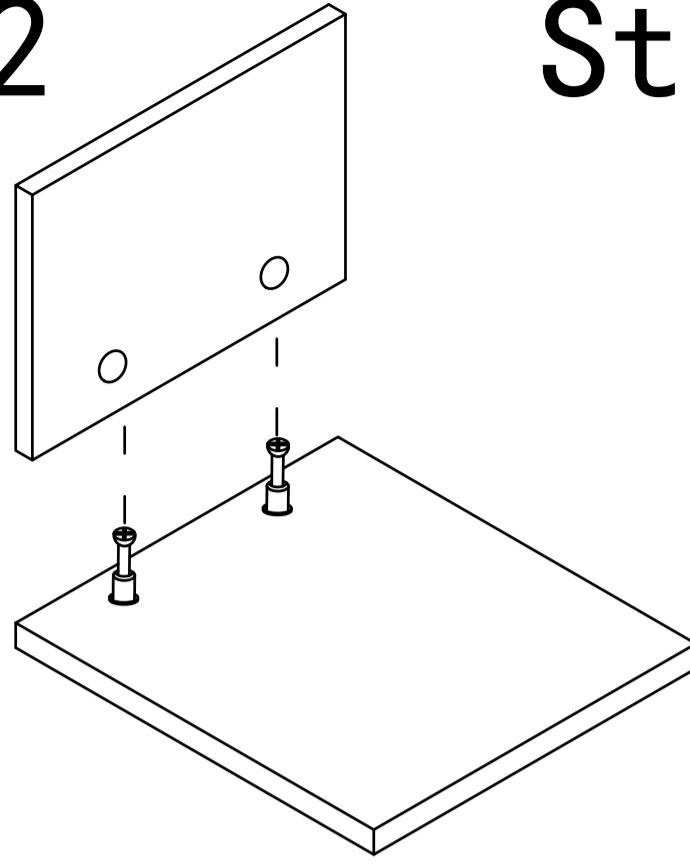
5

Use parts ① and ②

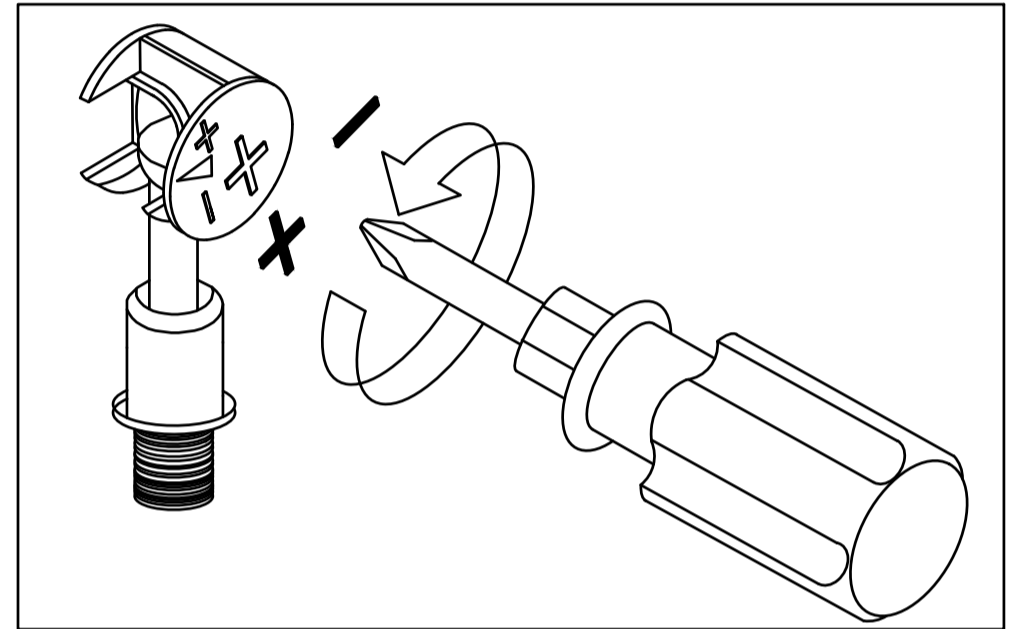
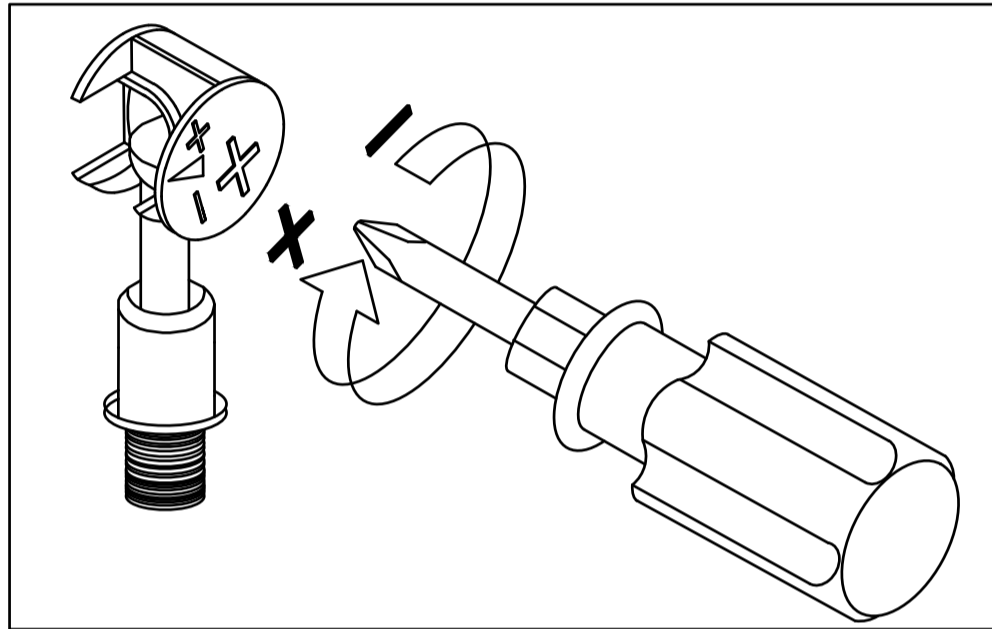
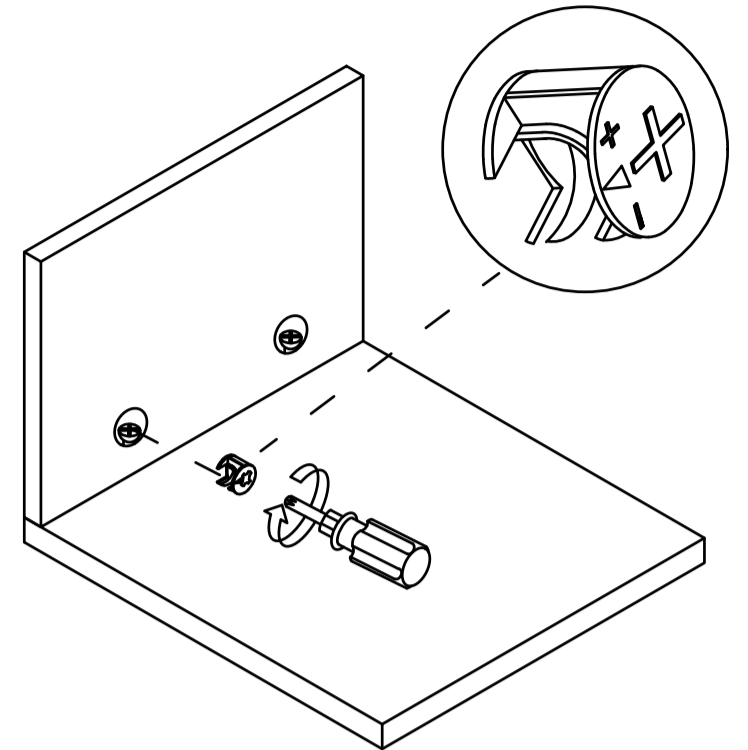
Step 1



Step 2



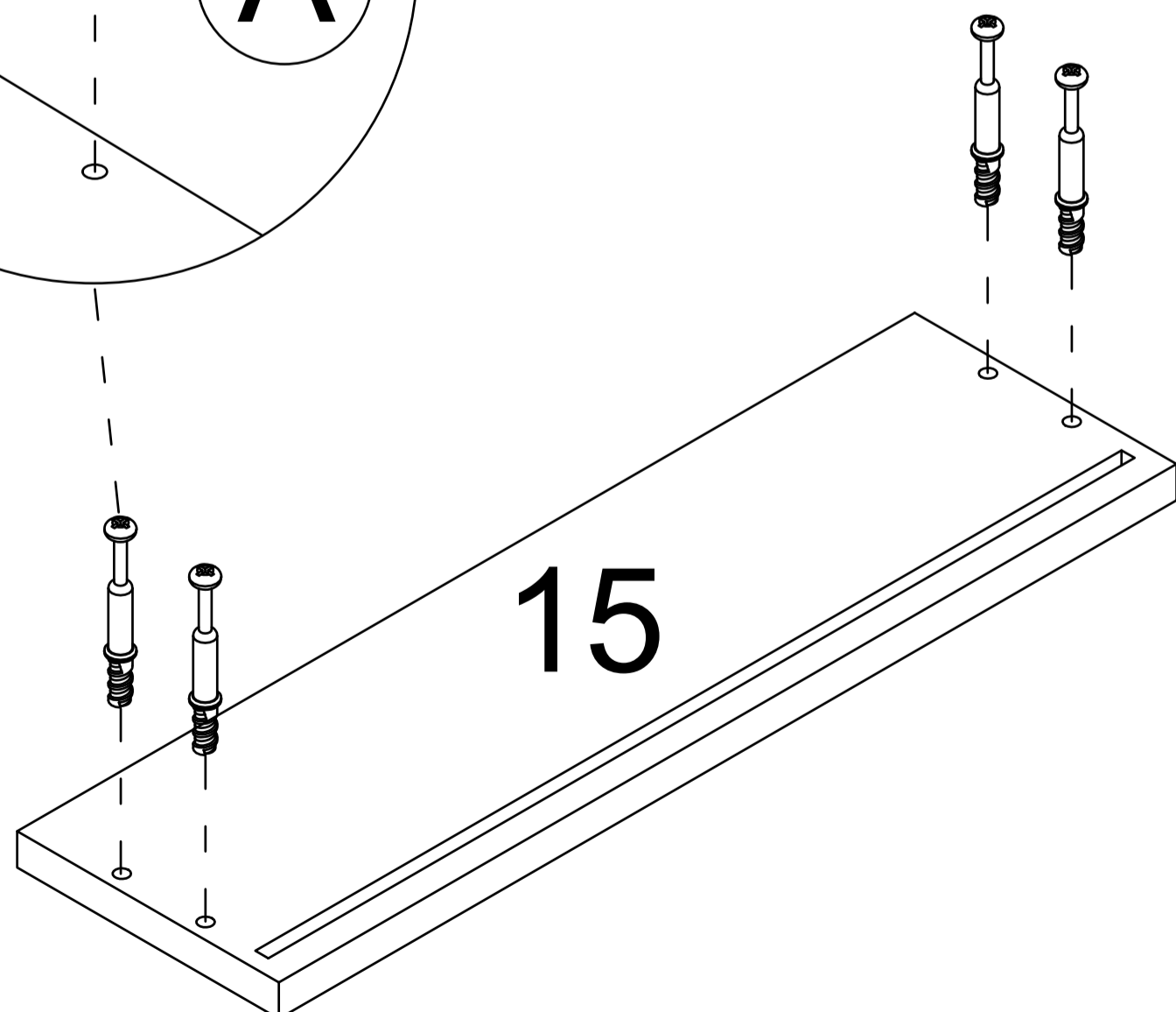
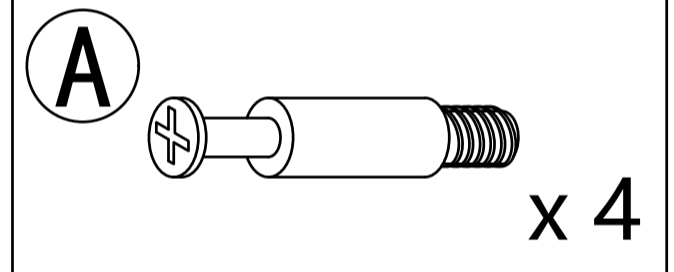
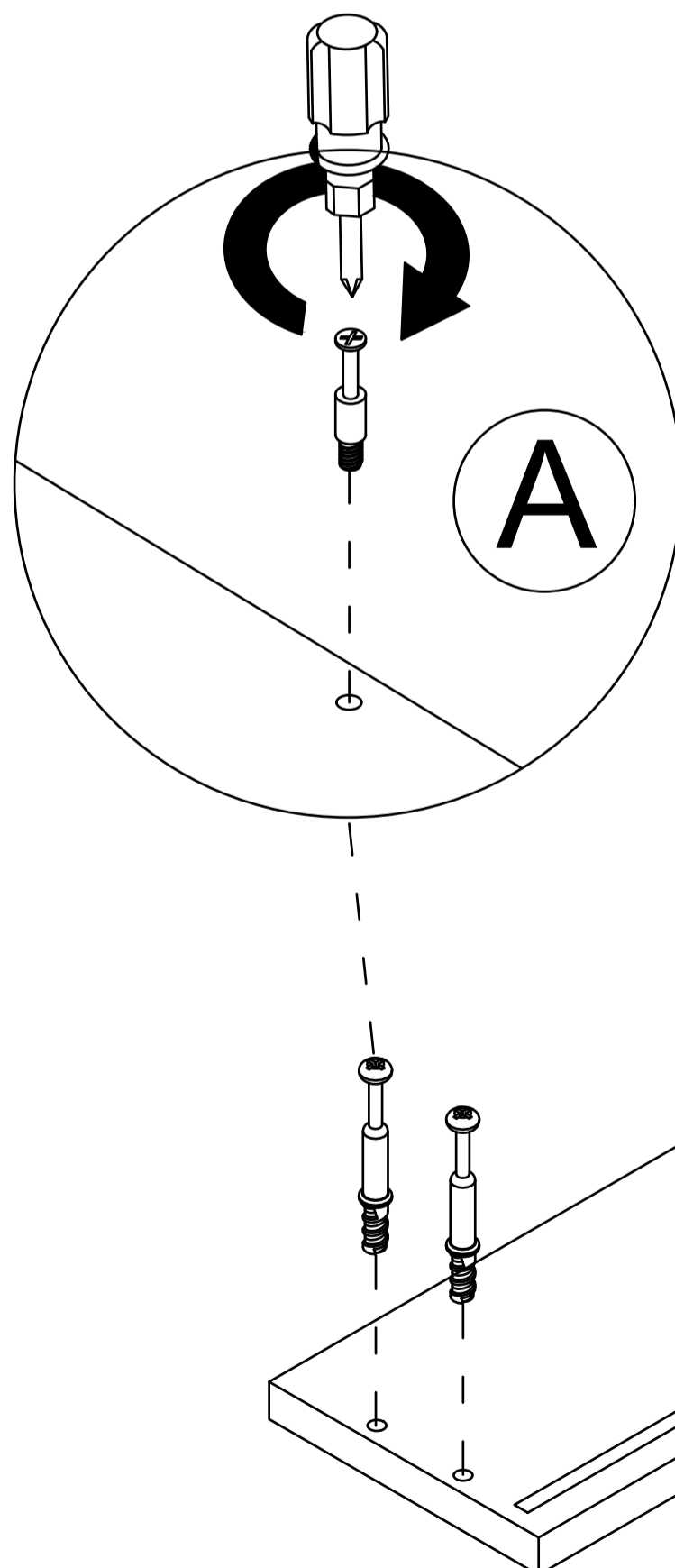
Step 3



Use a screwdriver to lock in the direction of the "+" sign

Disassemble along the direction of "-" sign

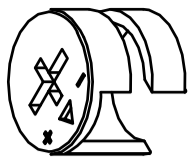
Step 1

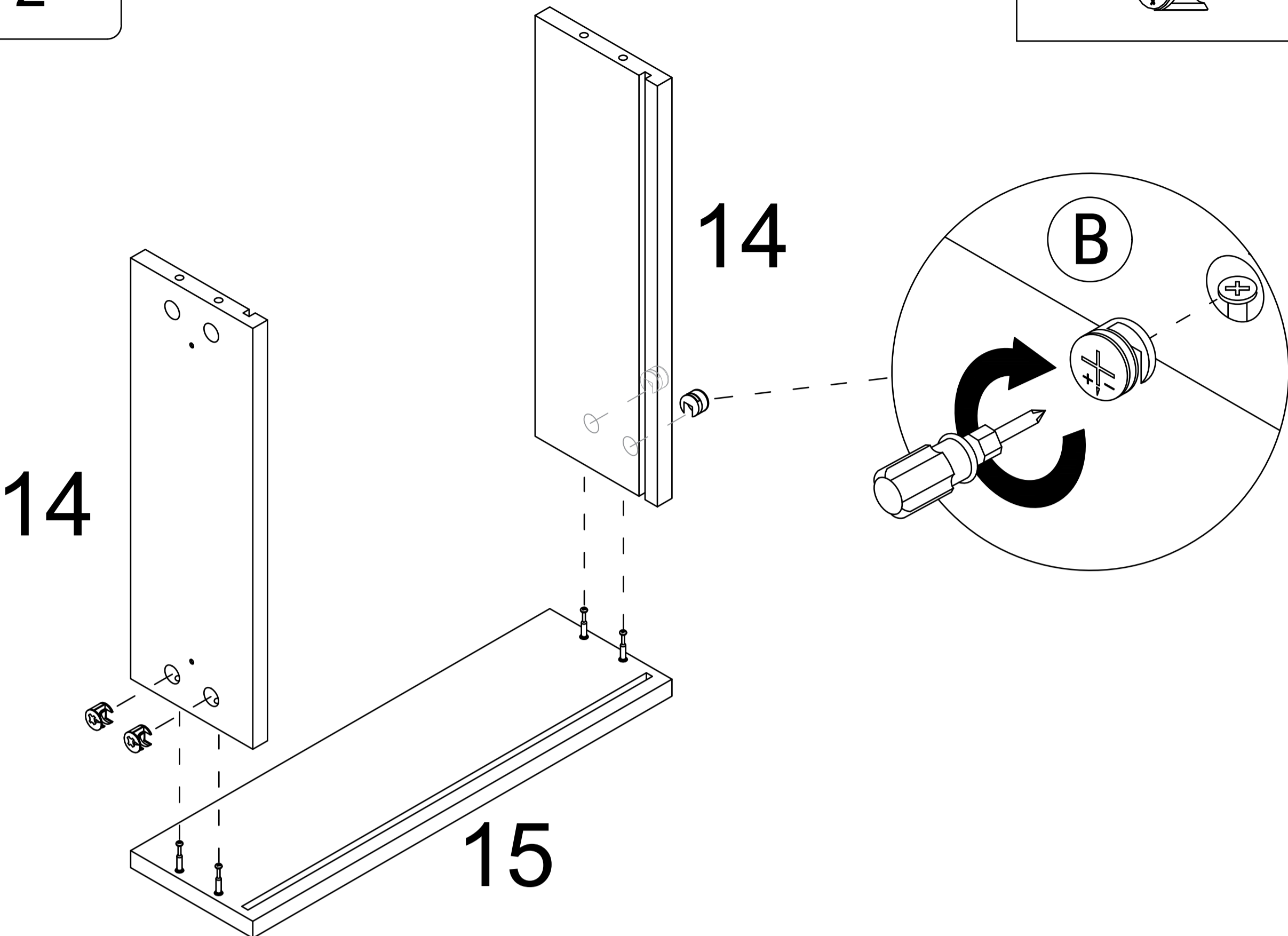


6

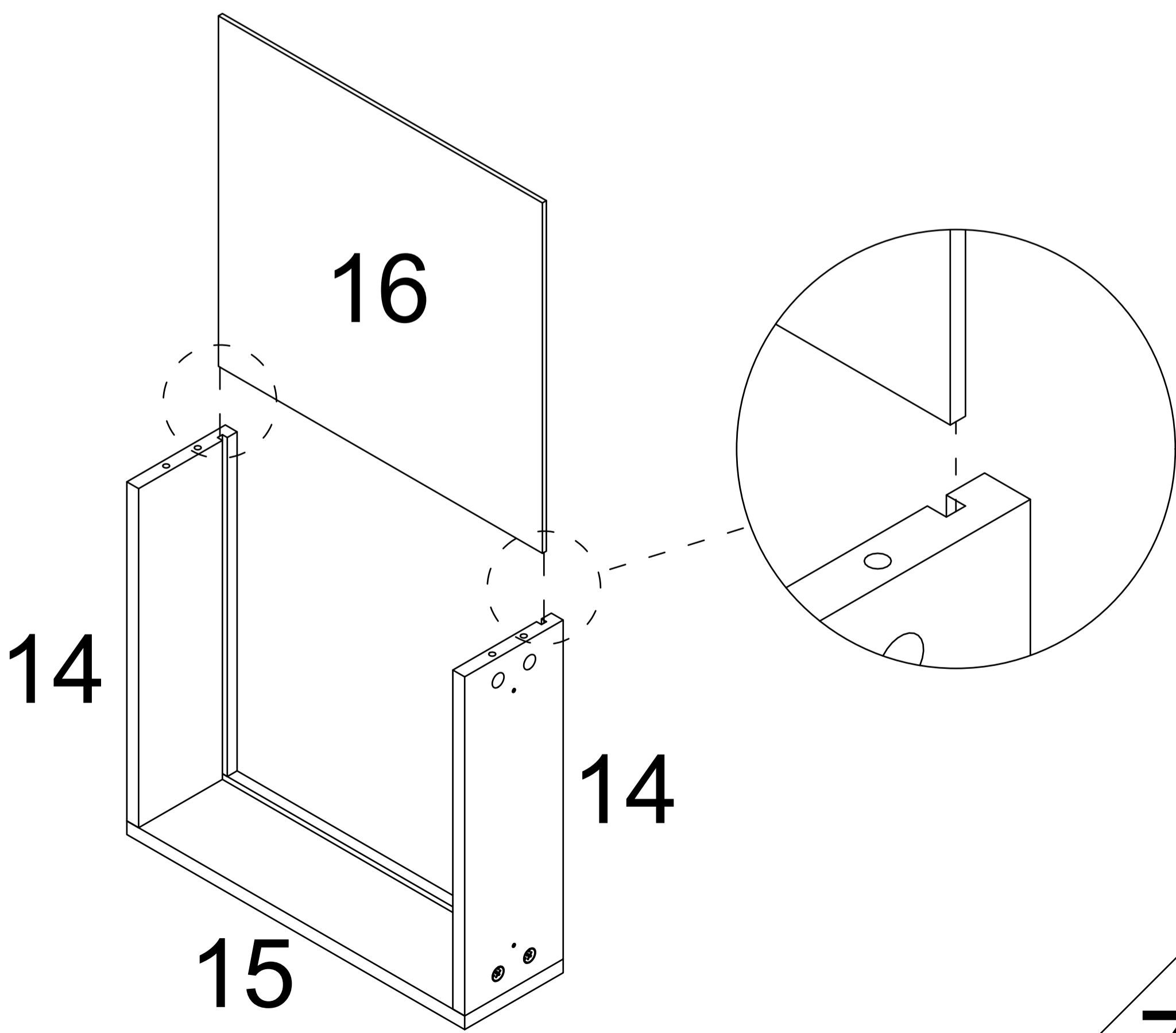
SY

Step 2

B  x 4



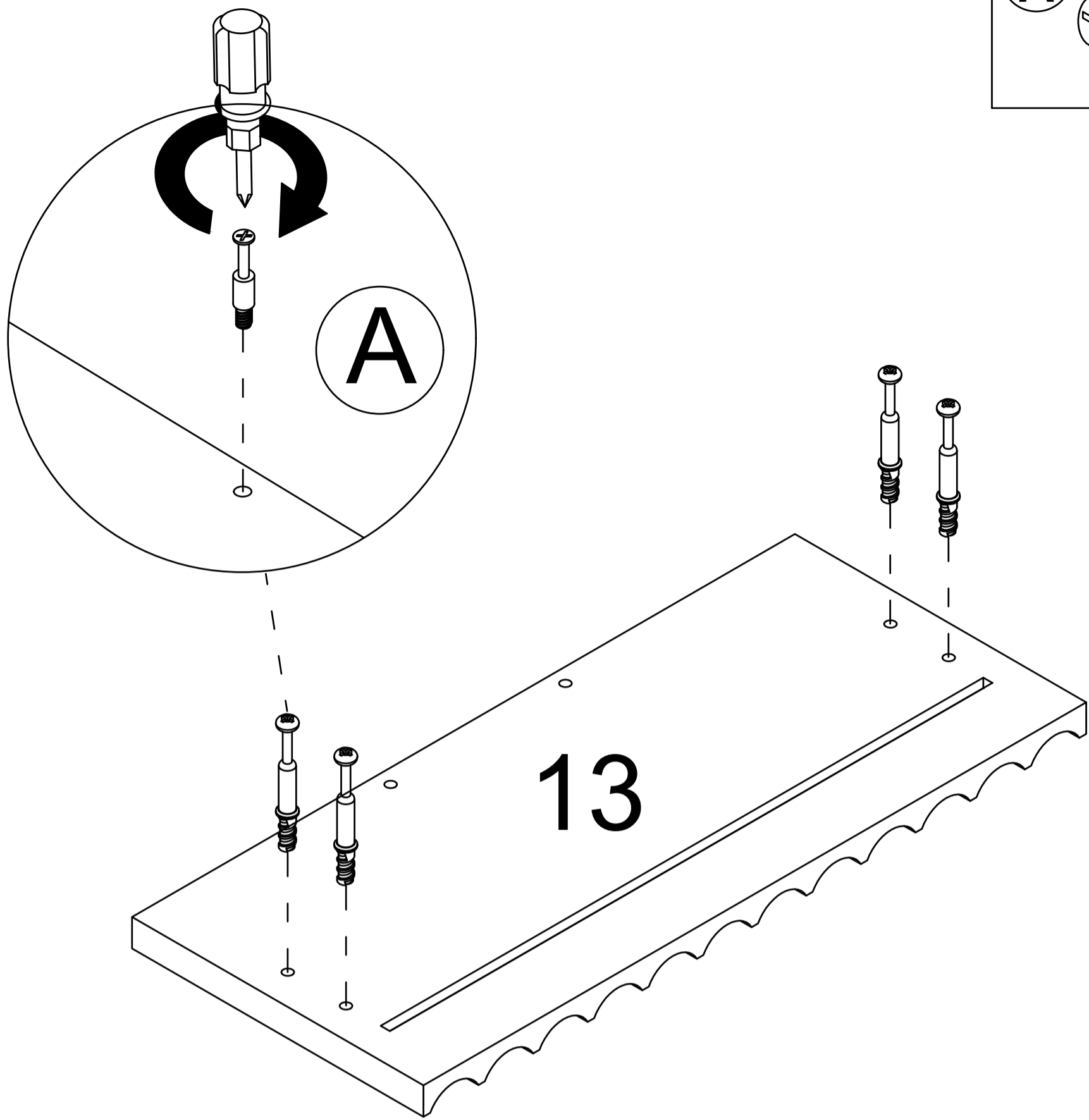
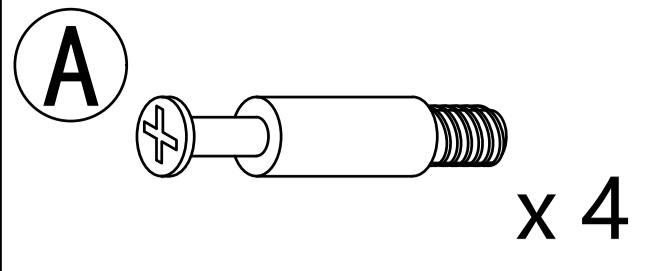
Step 3



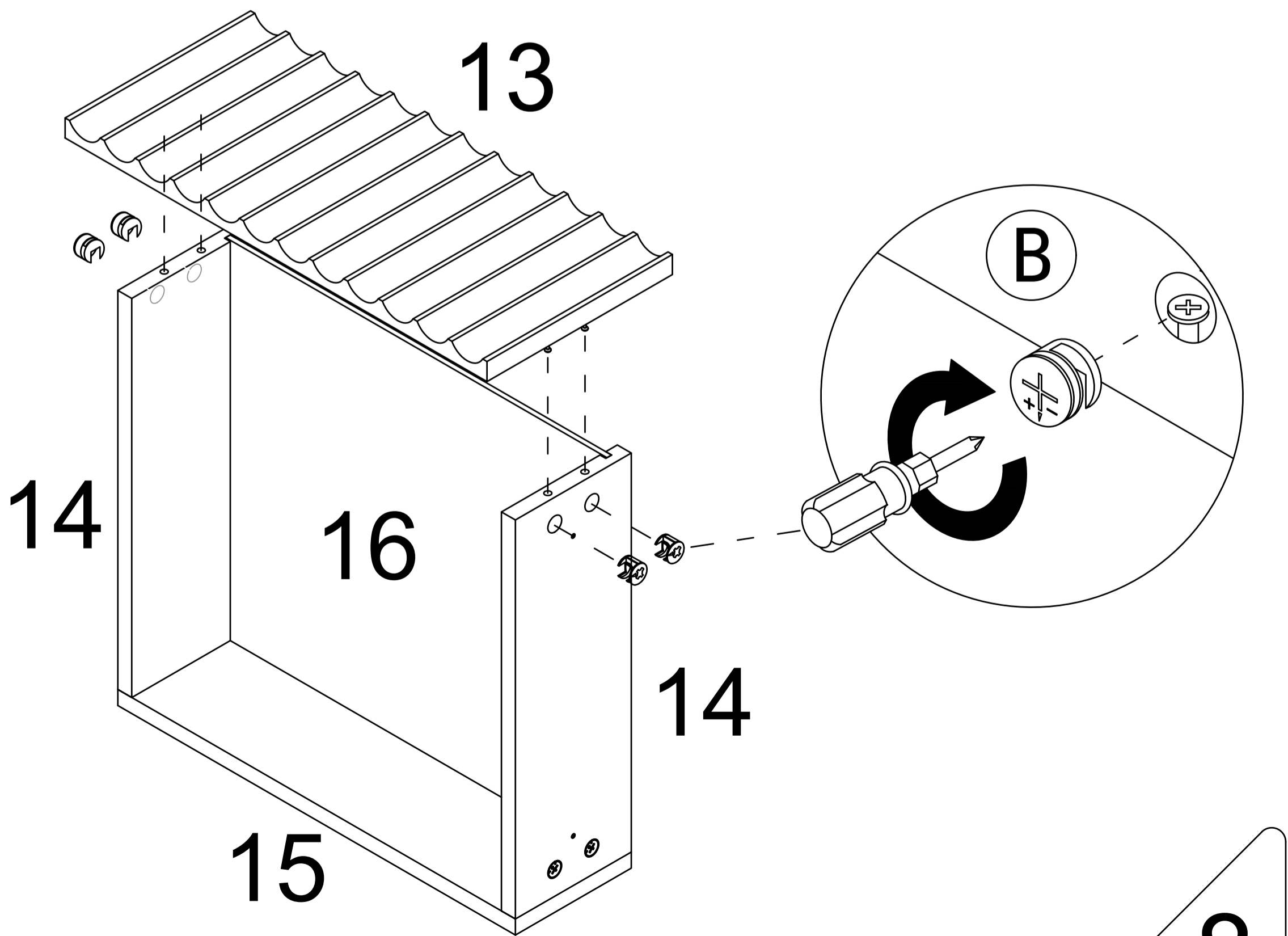
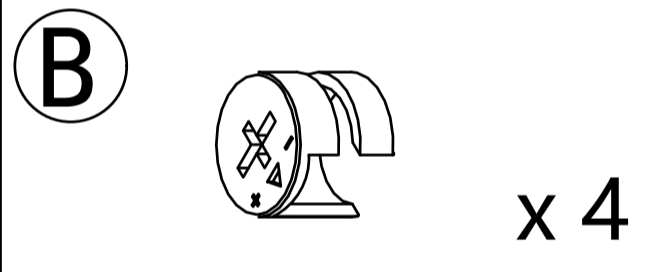
7

SY

Step 4

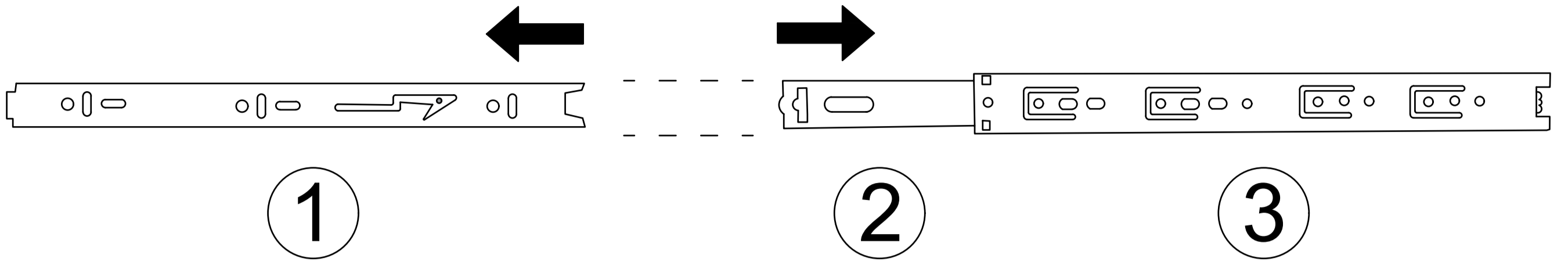


Step 5



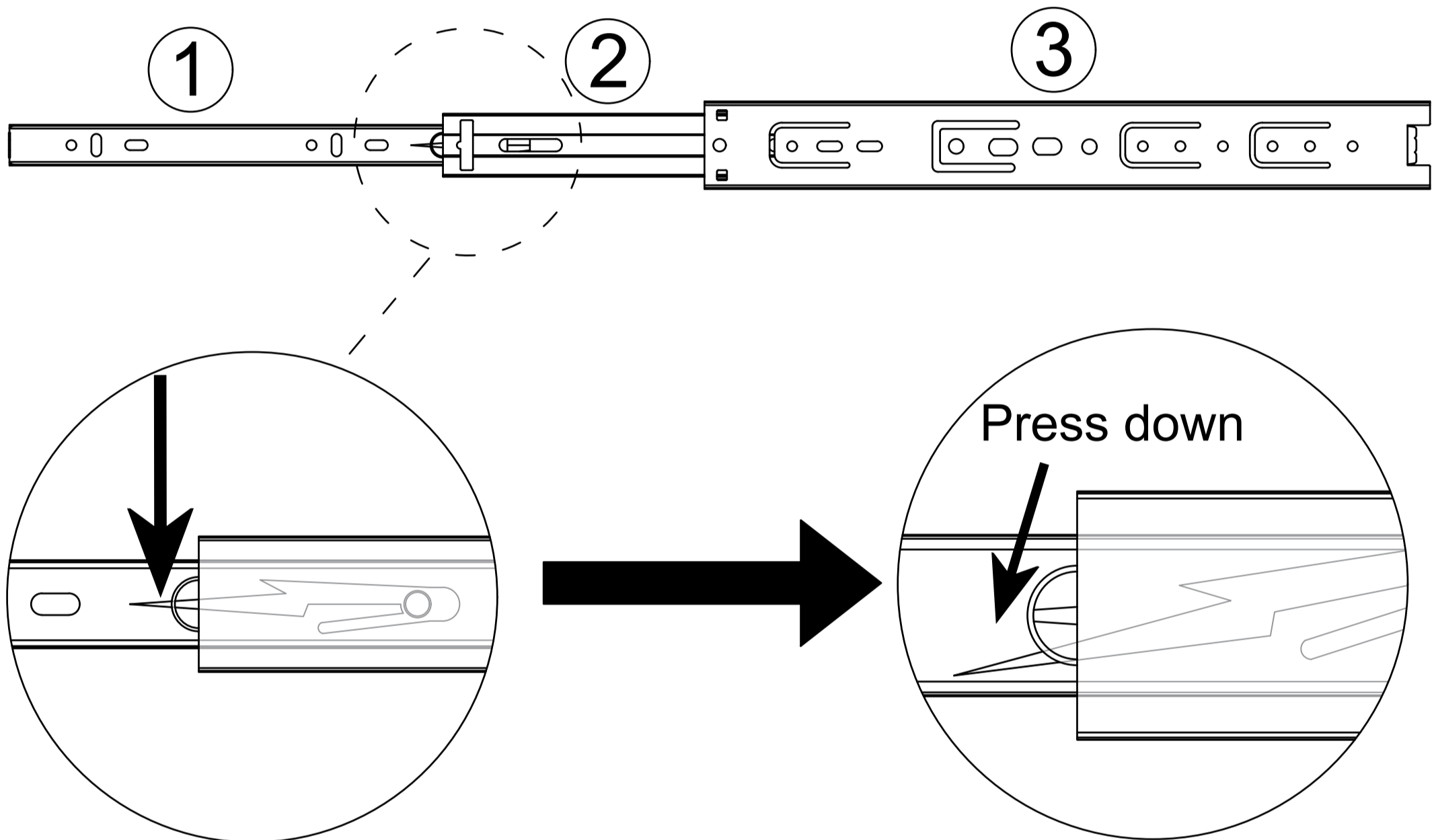
SY

Drawer rail breakdown diagram



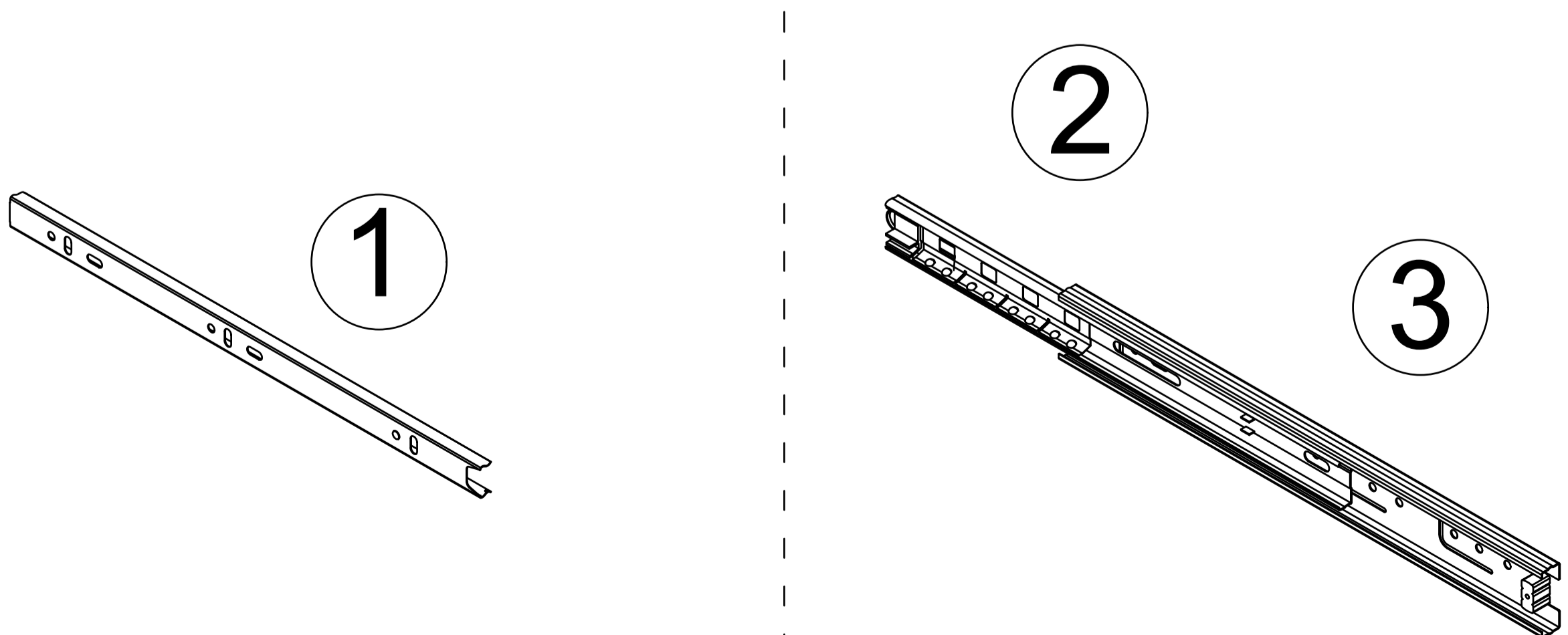
① Dismantle the schematic diagram

Step 1 : Pull the rails apart

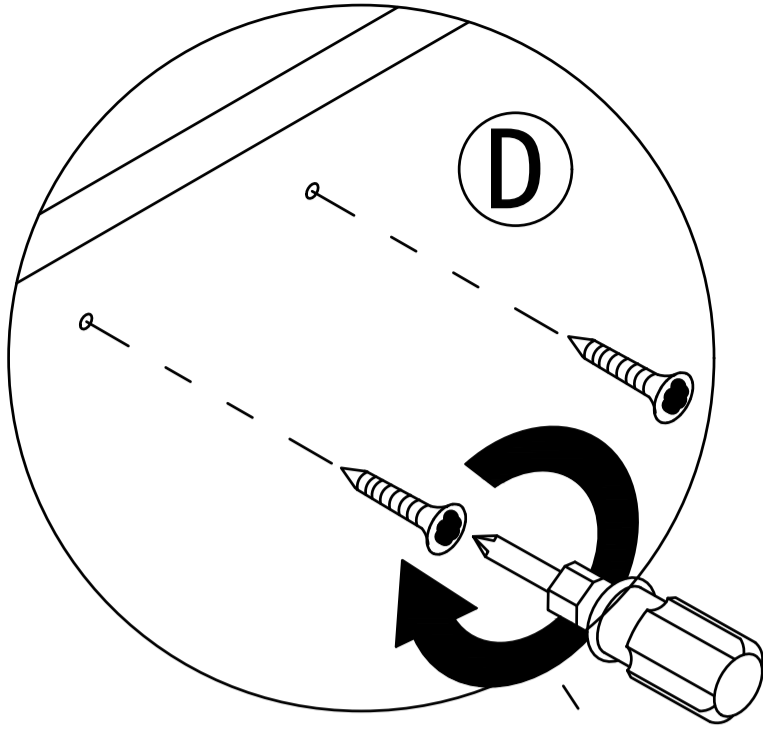


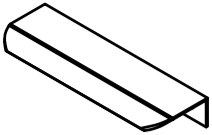

Step 2 : Press the nylon button and pull out ①.

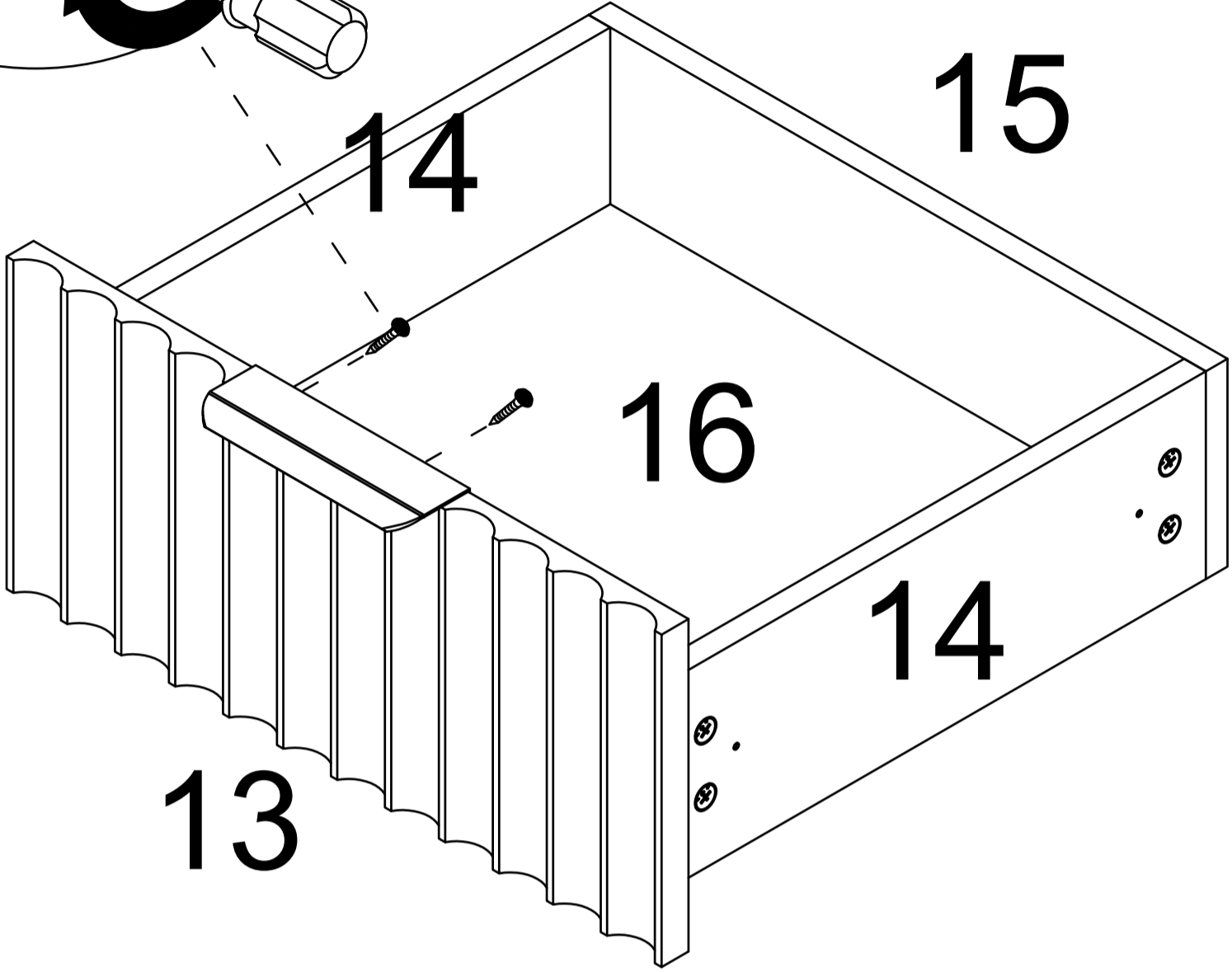
Drawer rail decomposition completed schematic diagram



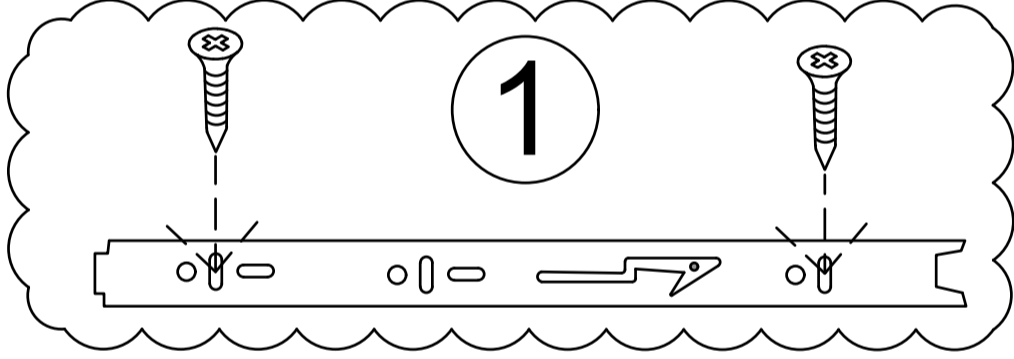
Step 6

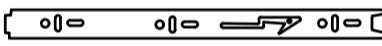
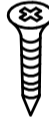


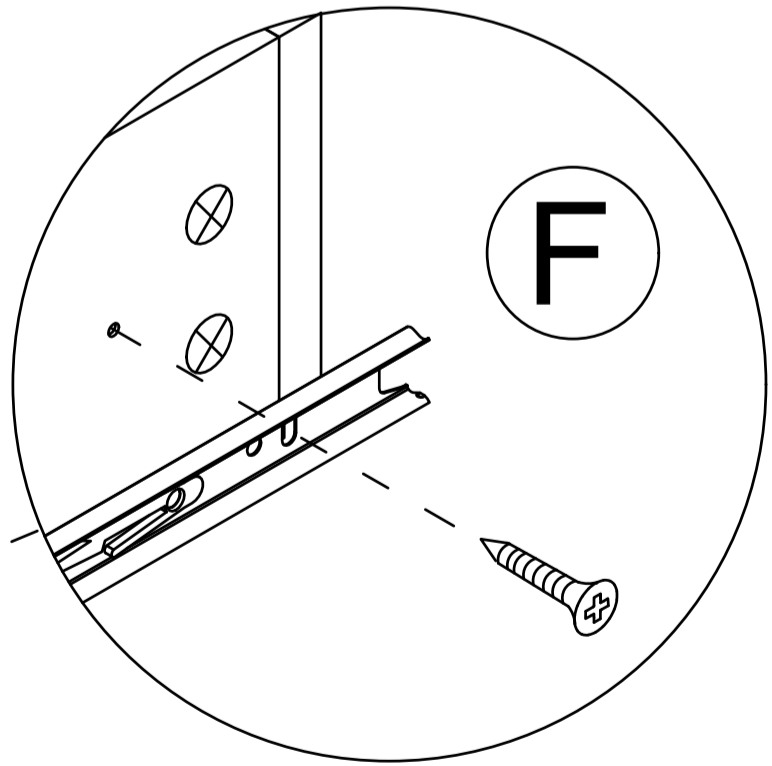
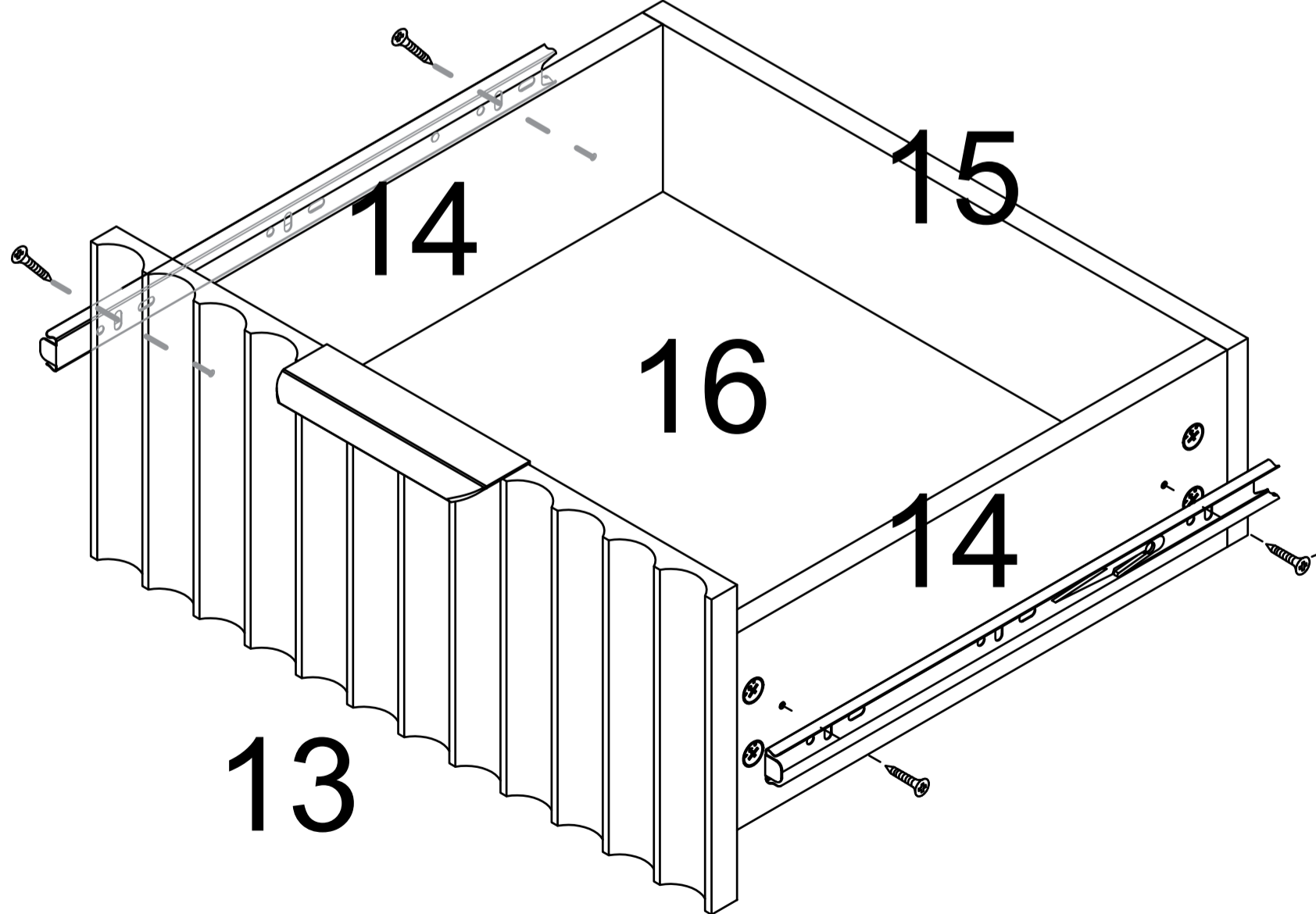
- D**  x1
-  x2



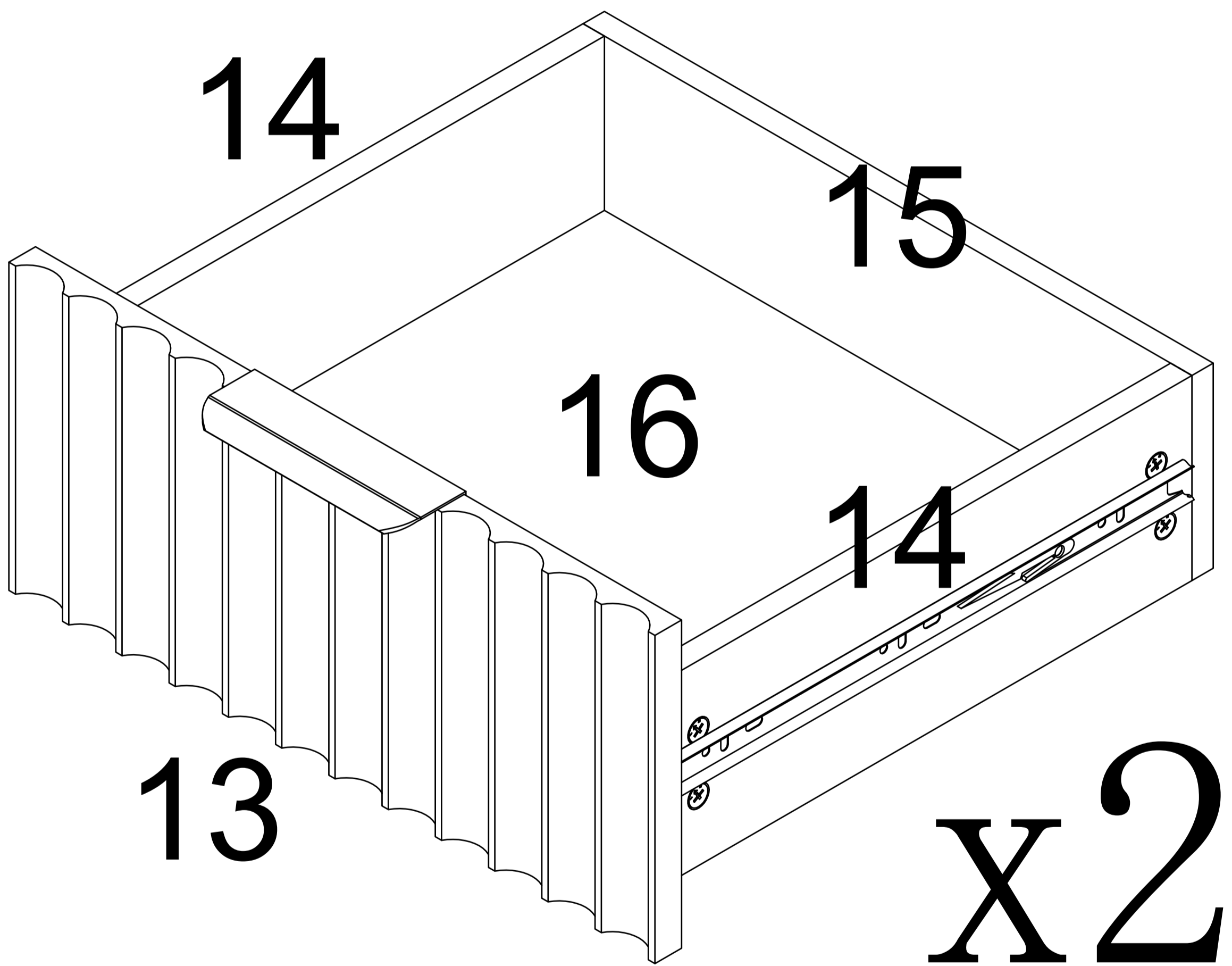
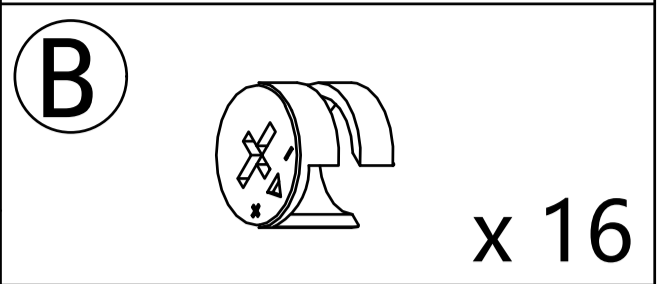
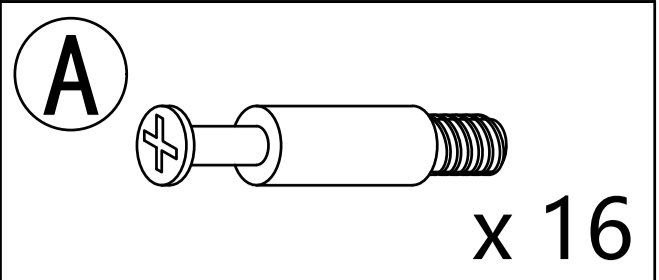
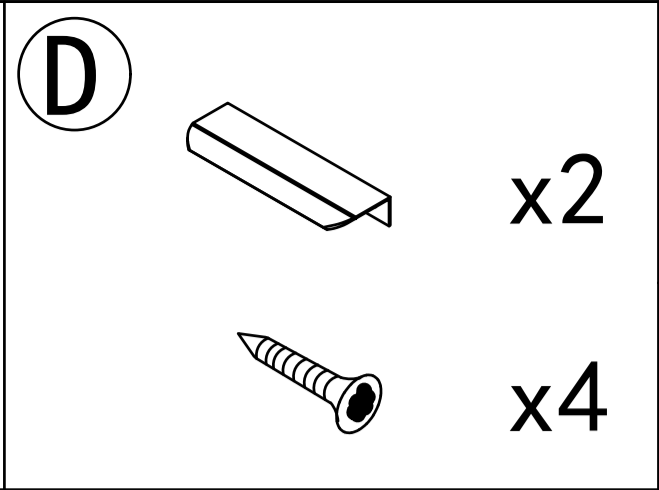
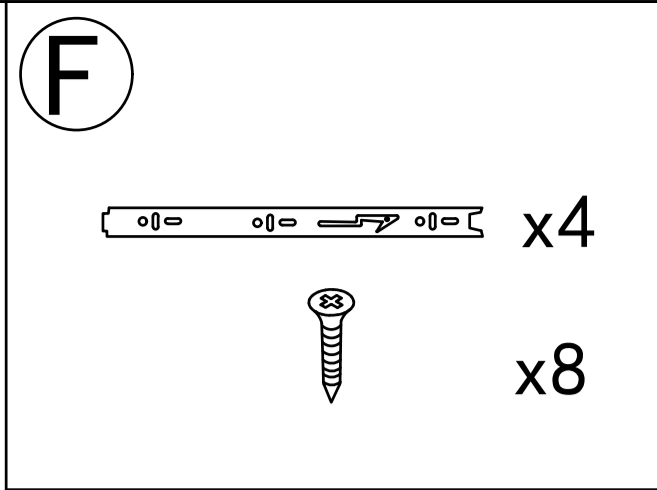
Step 7



- F**  x2
-  x4

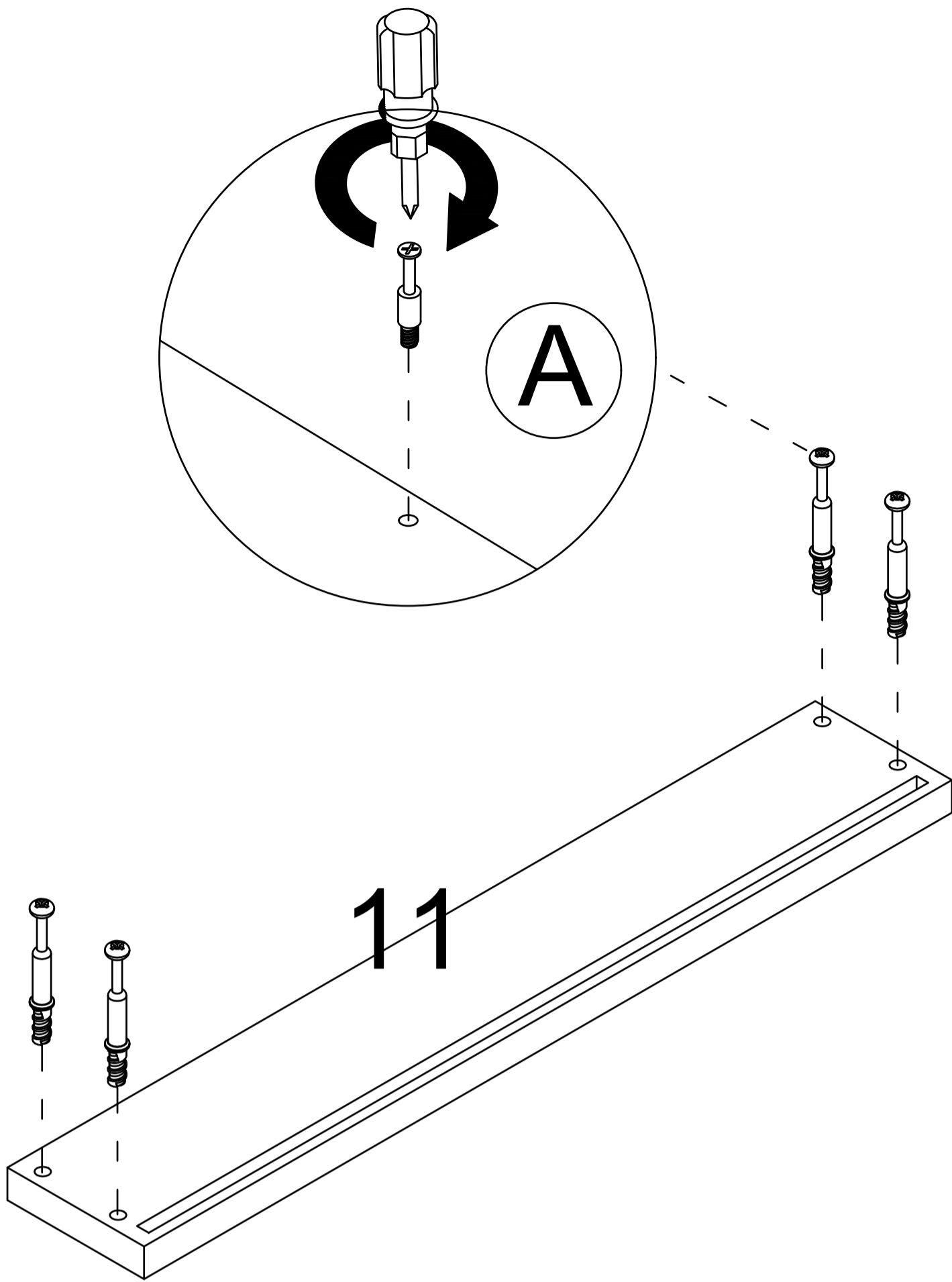
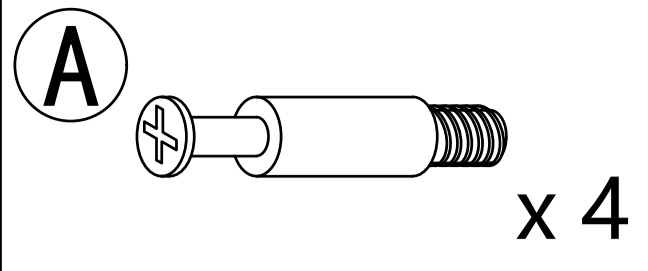


Step 8

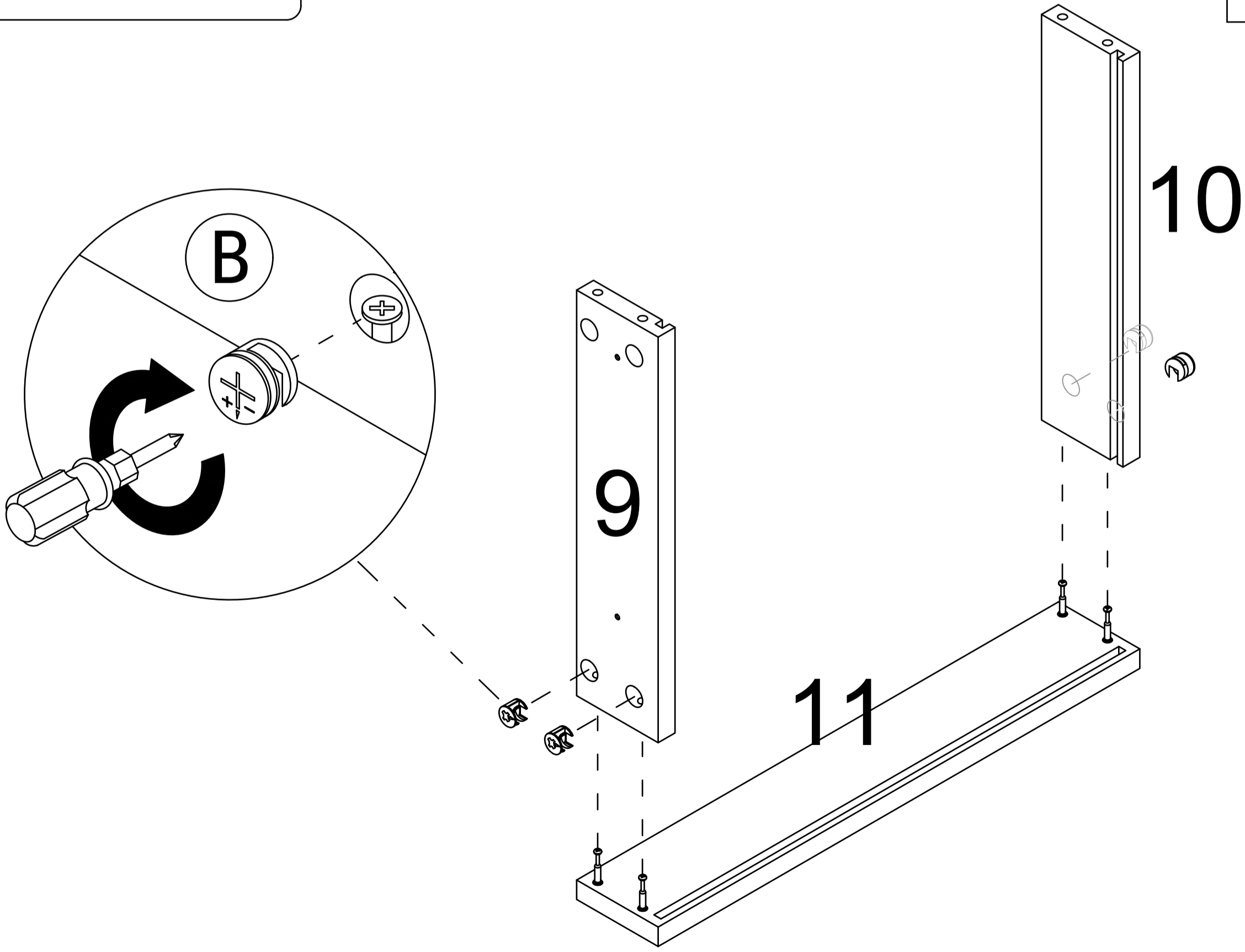
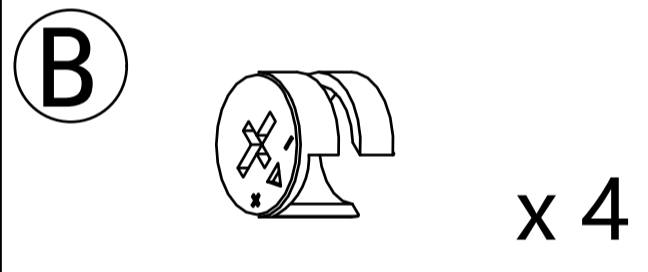


Repeat the drawer installation steps

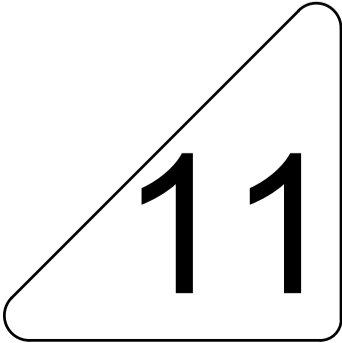
Step 9



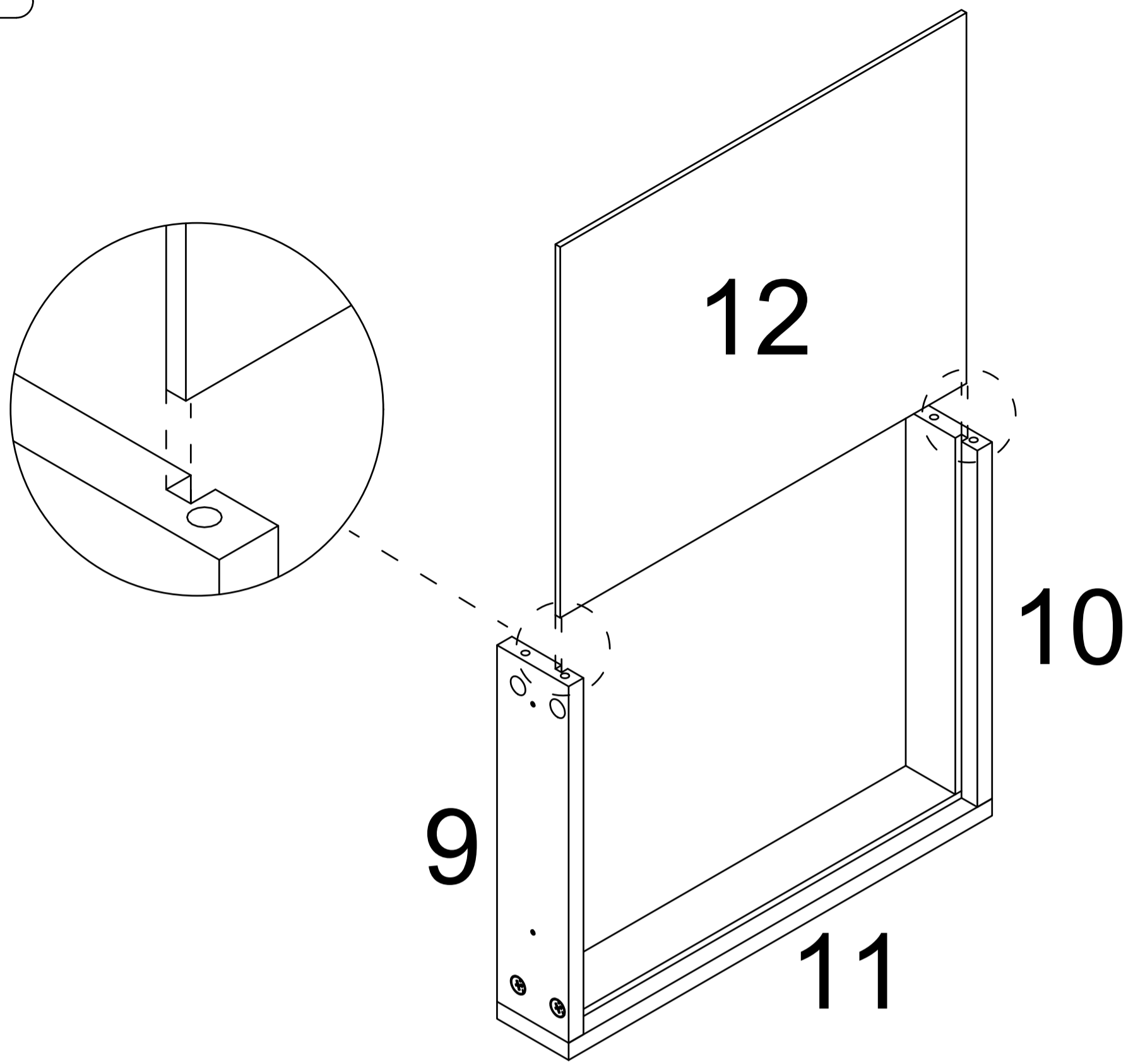
Step 10



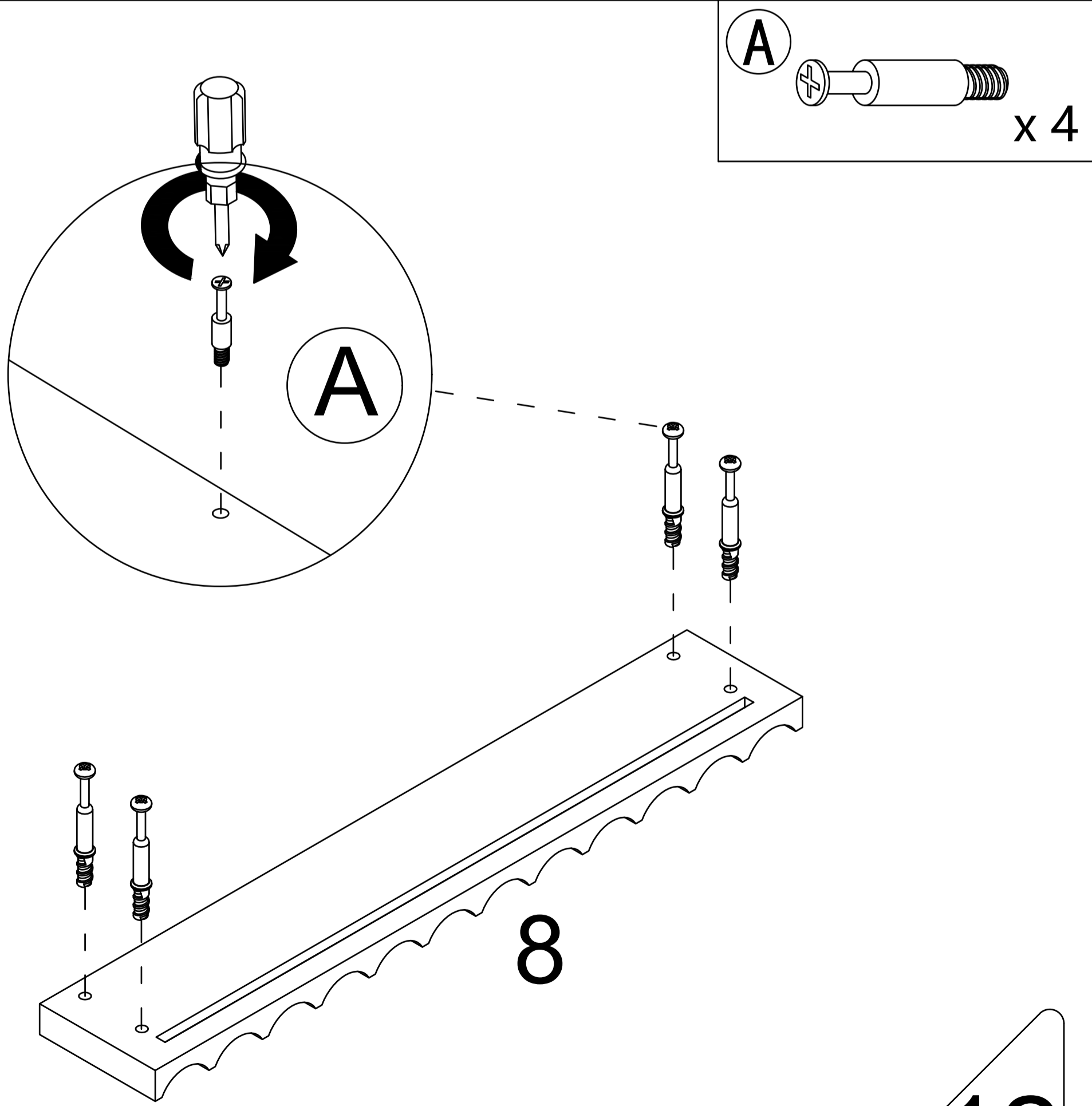
SY



Step 11



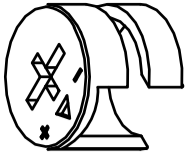
Step 12

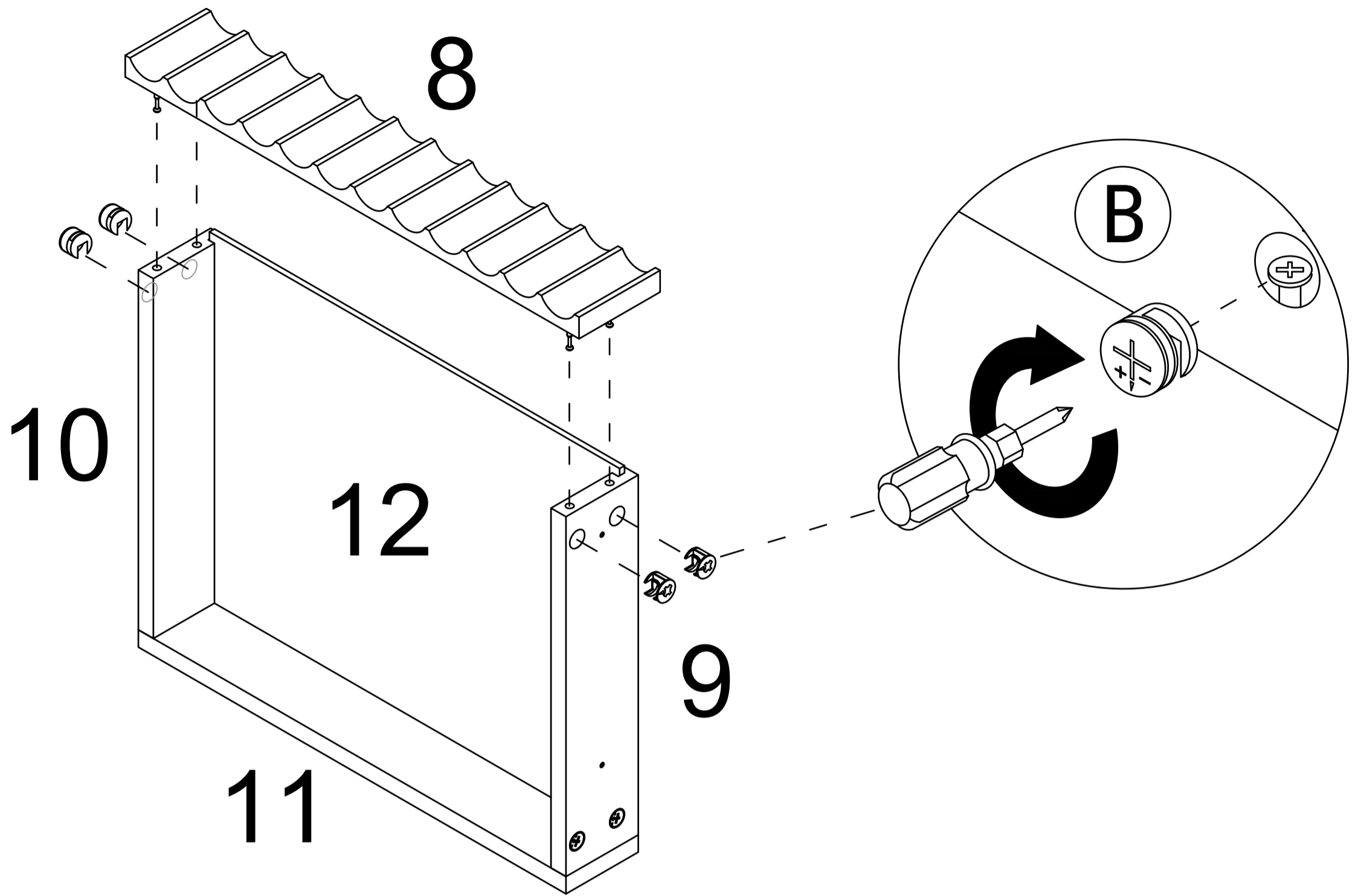


12

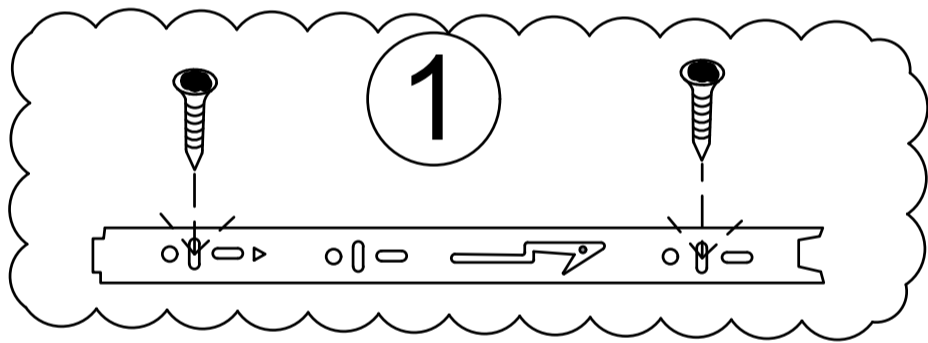
SY

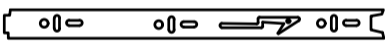
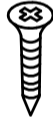
Step 13

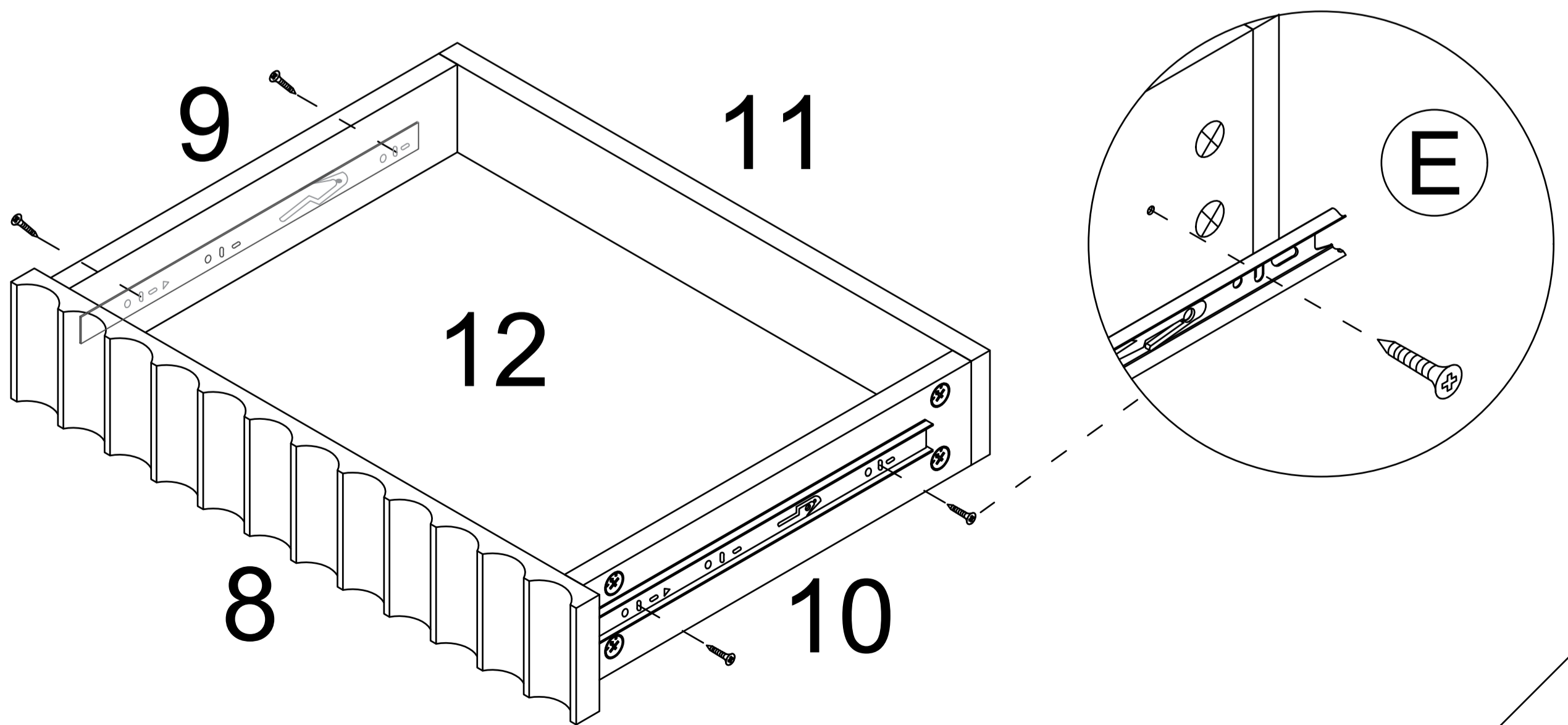
B  x 4



Step 14

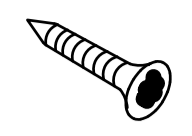
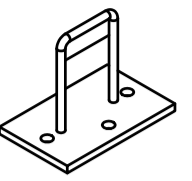


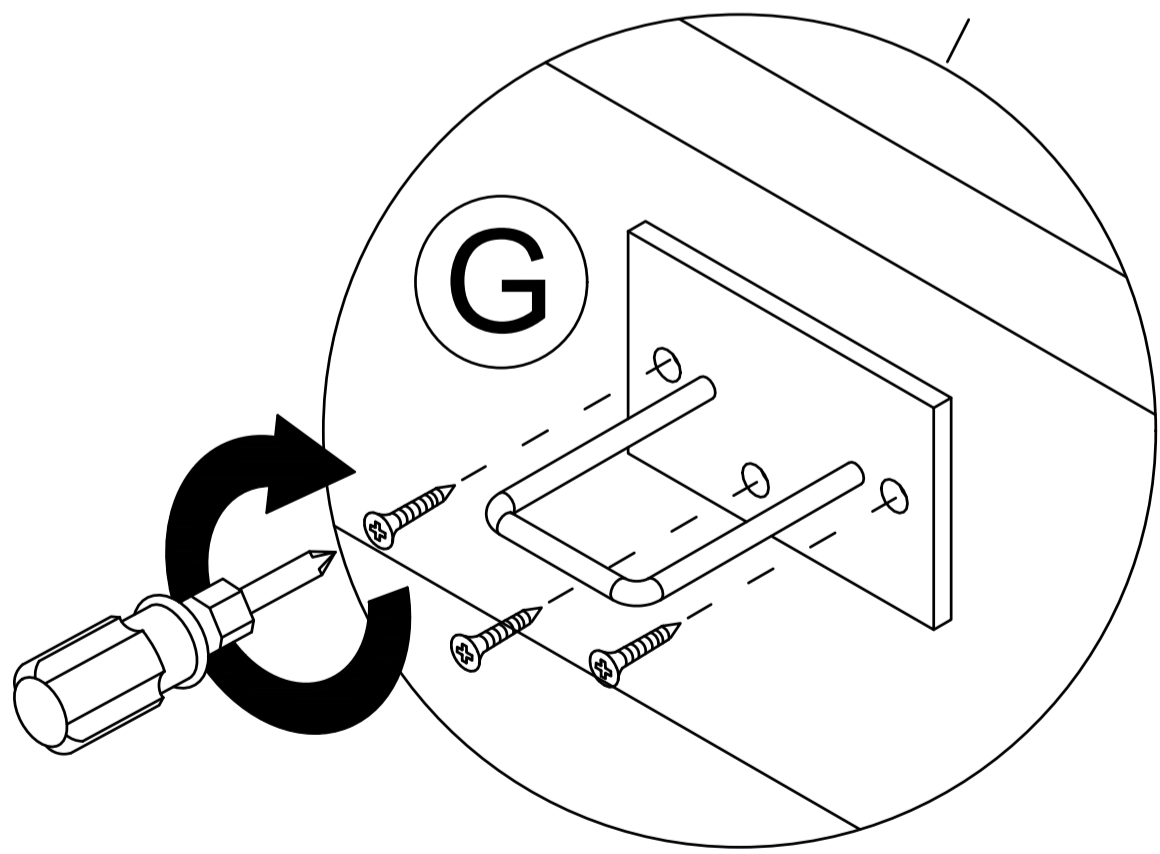
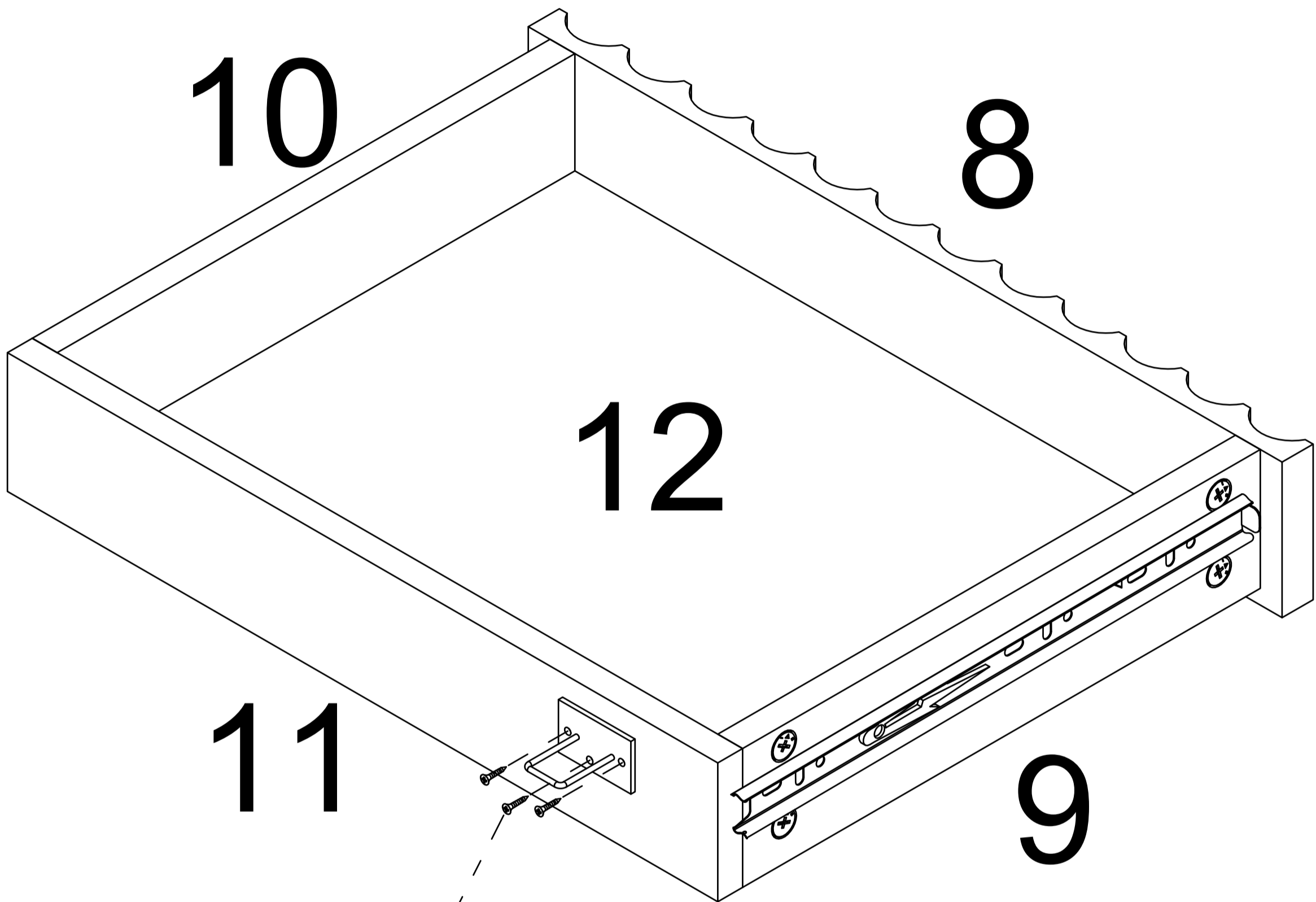
E  x2
 x4



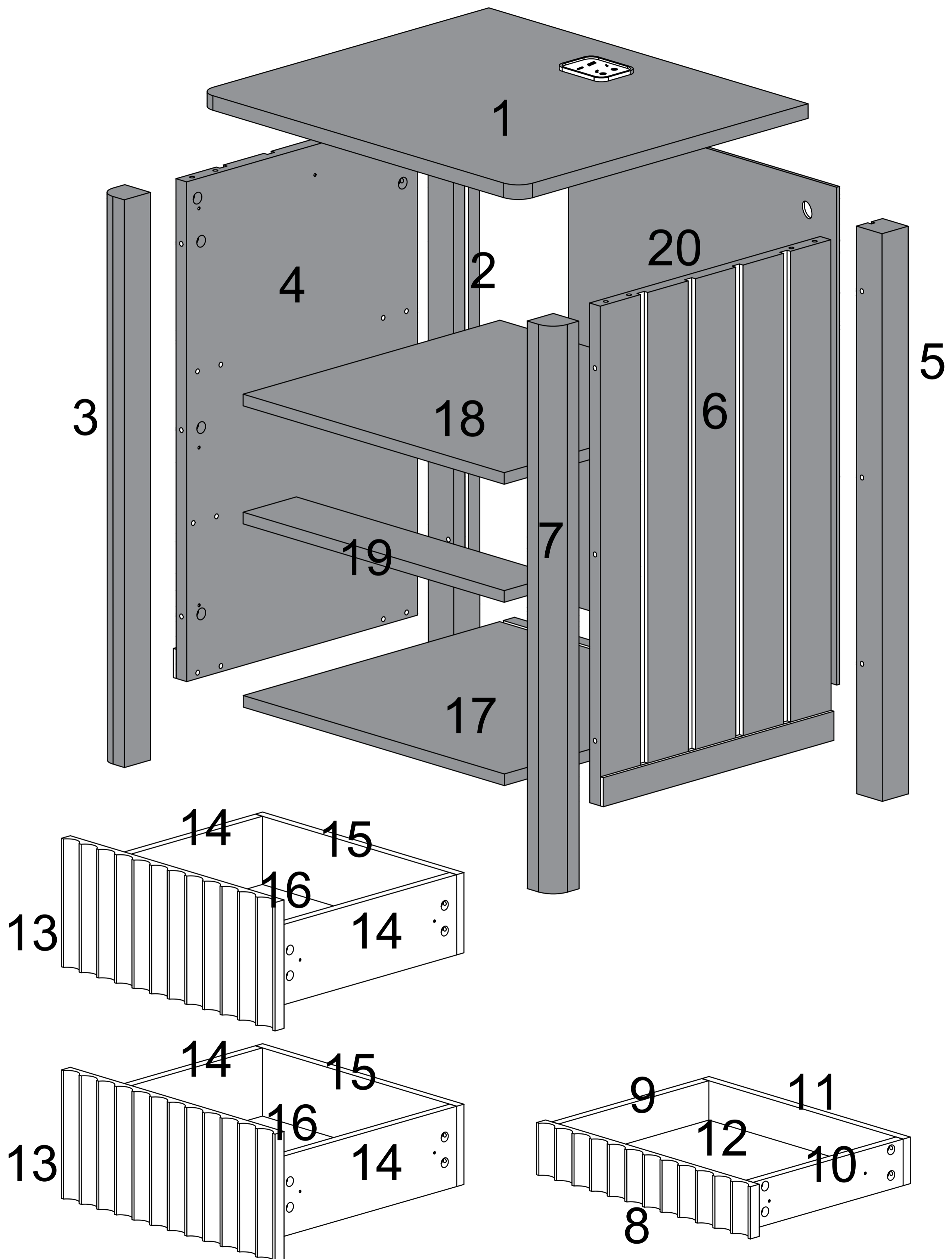
13

Step 15

G		x3
		x1



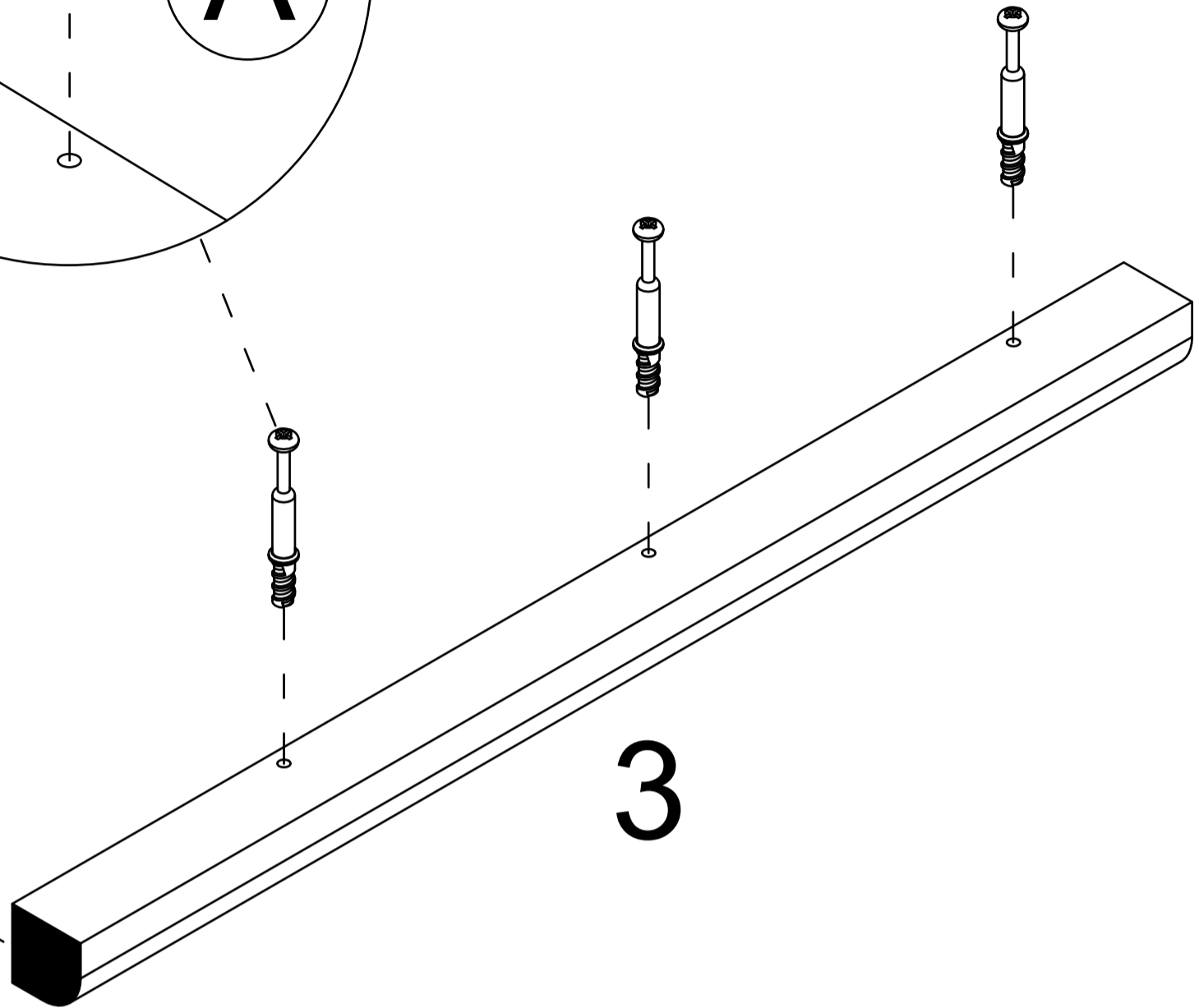
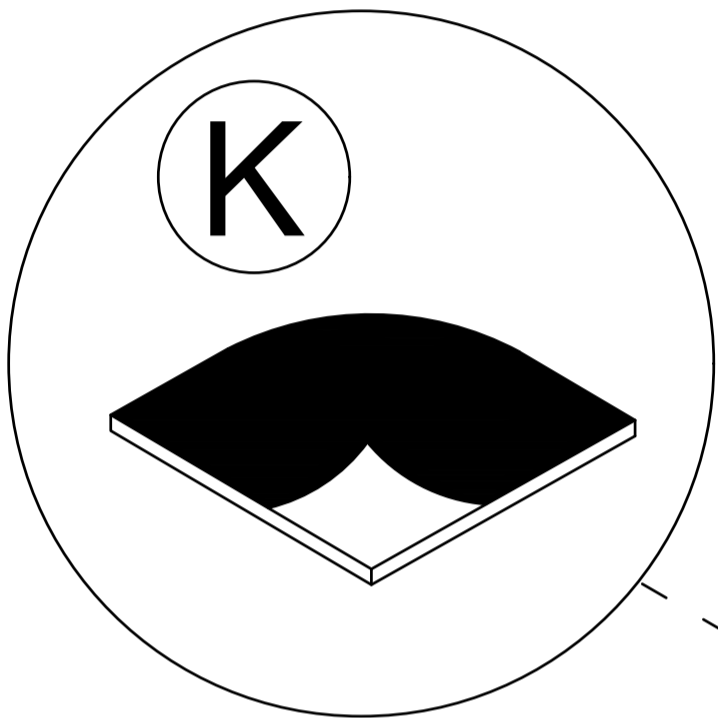
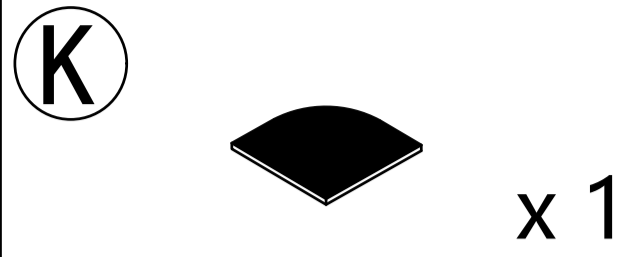
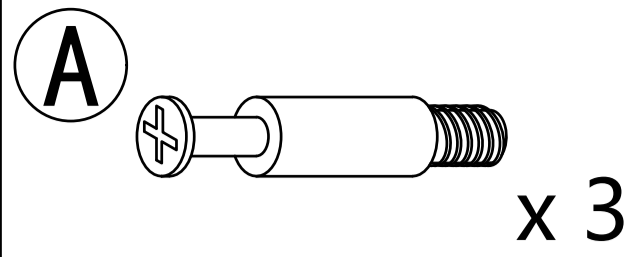
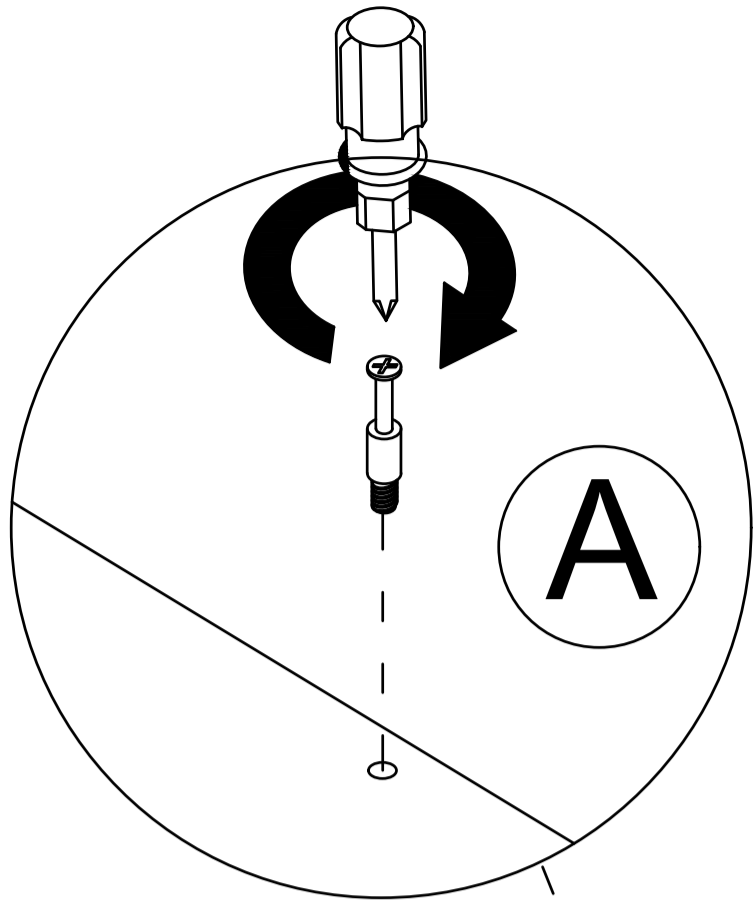
Product structure decomposition



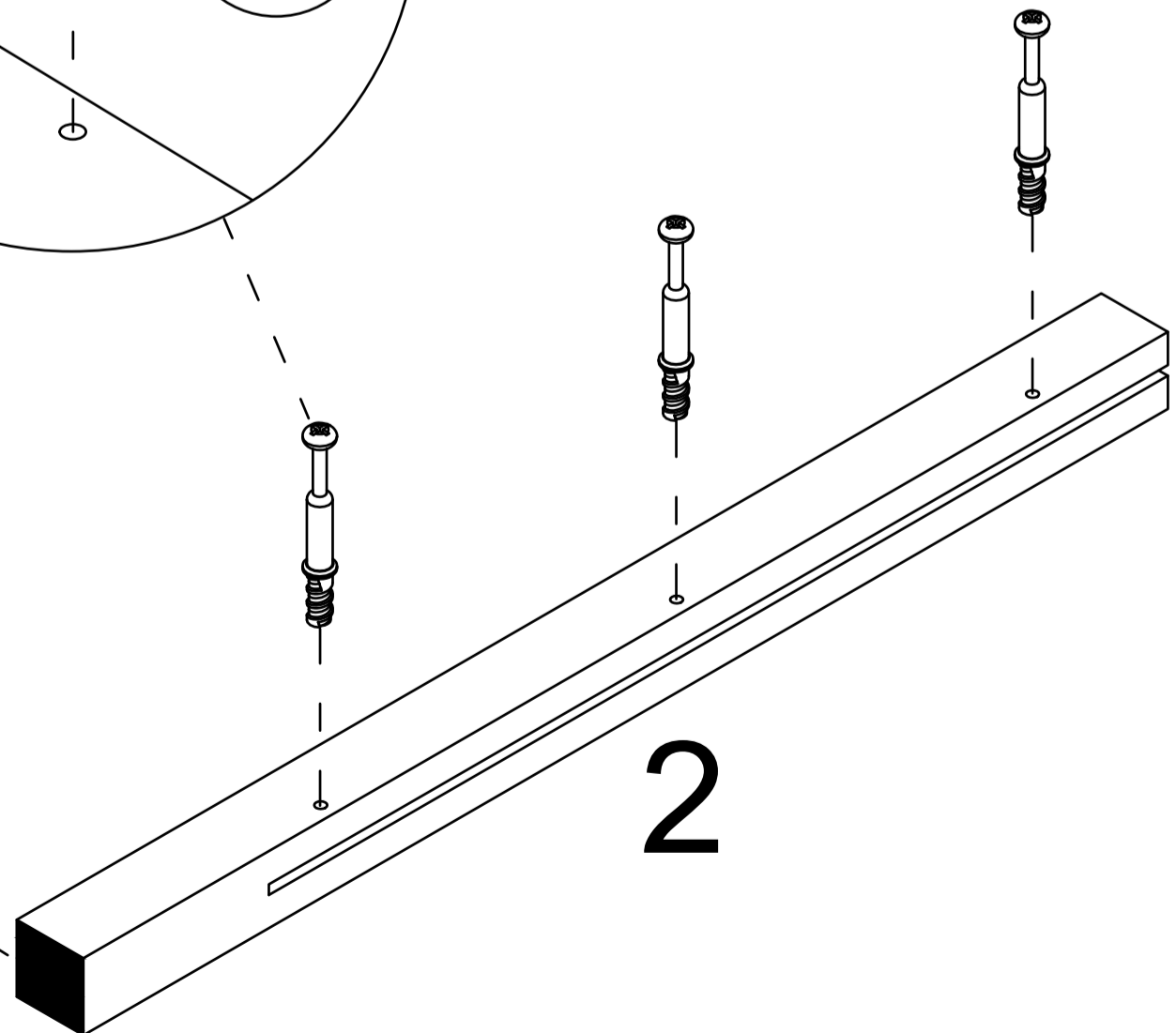
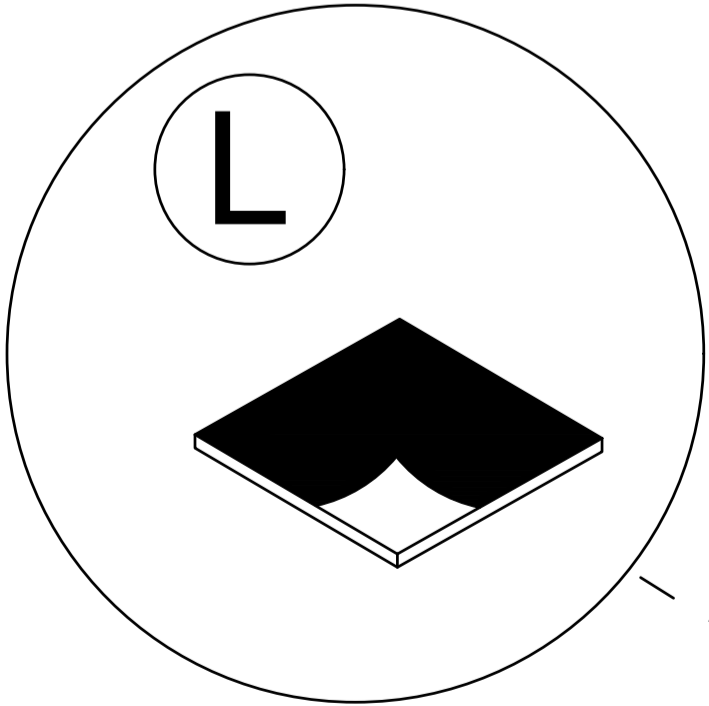
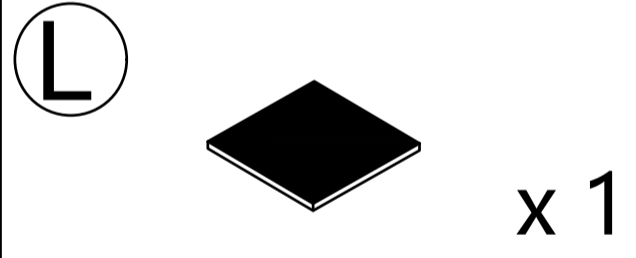
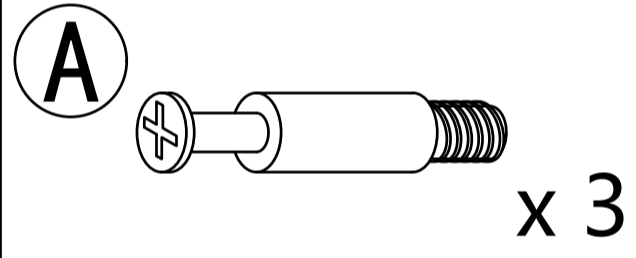
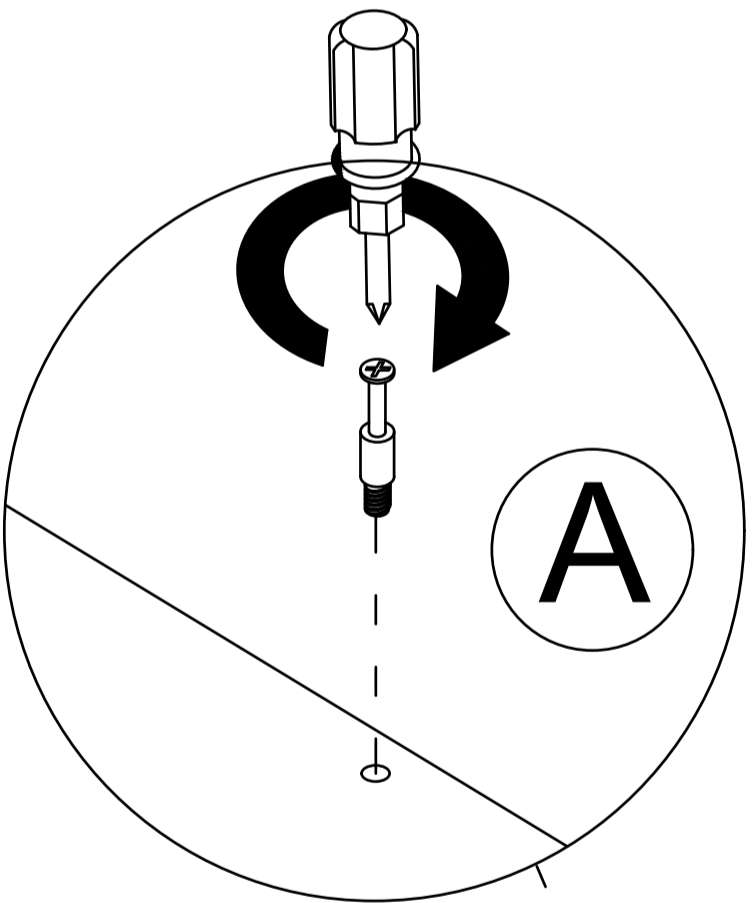
15

SY

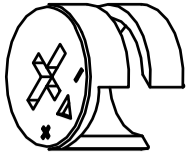
Step 16

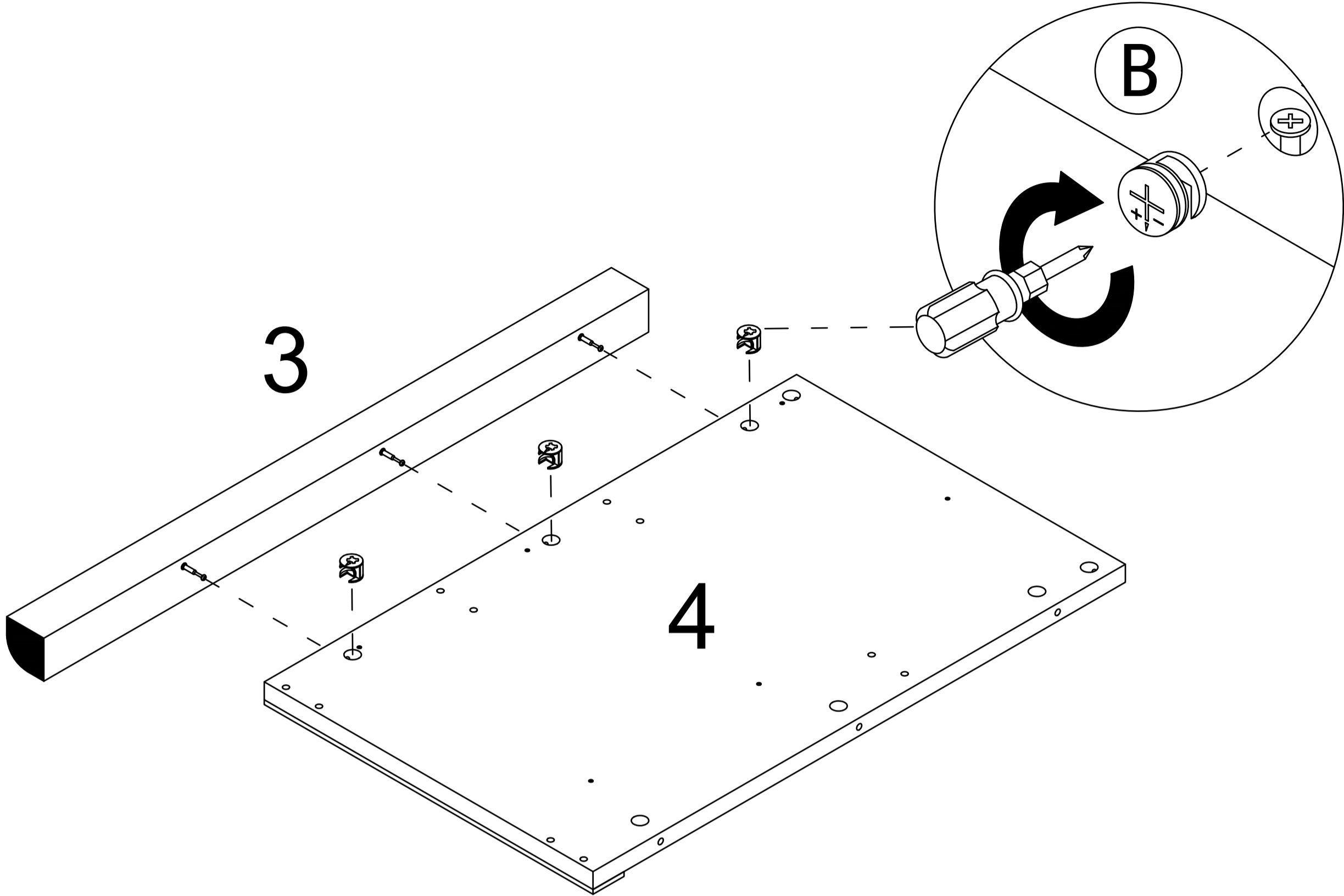


Step 17




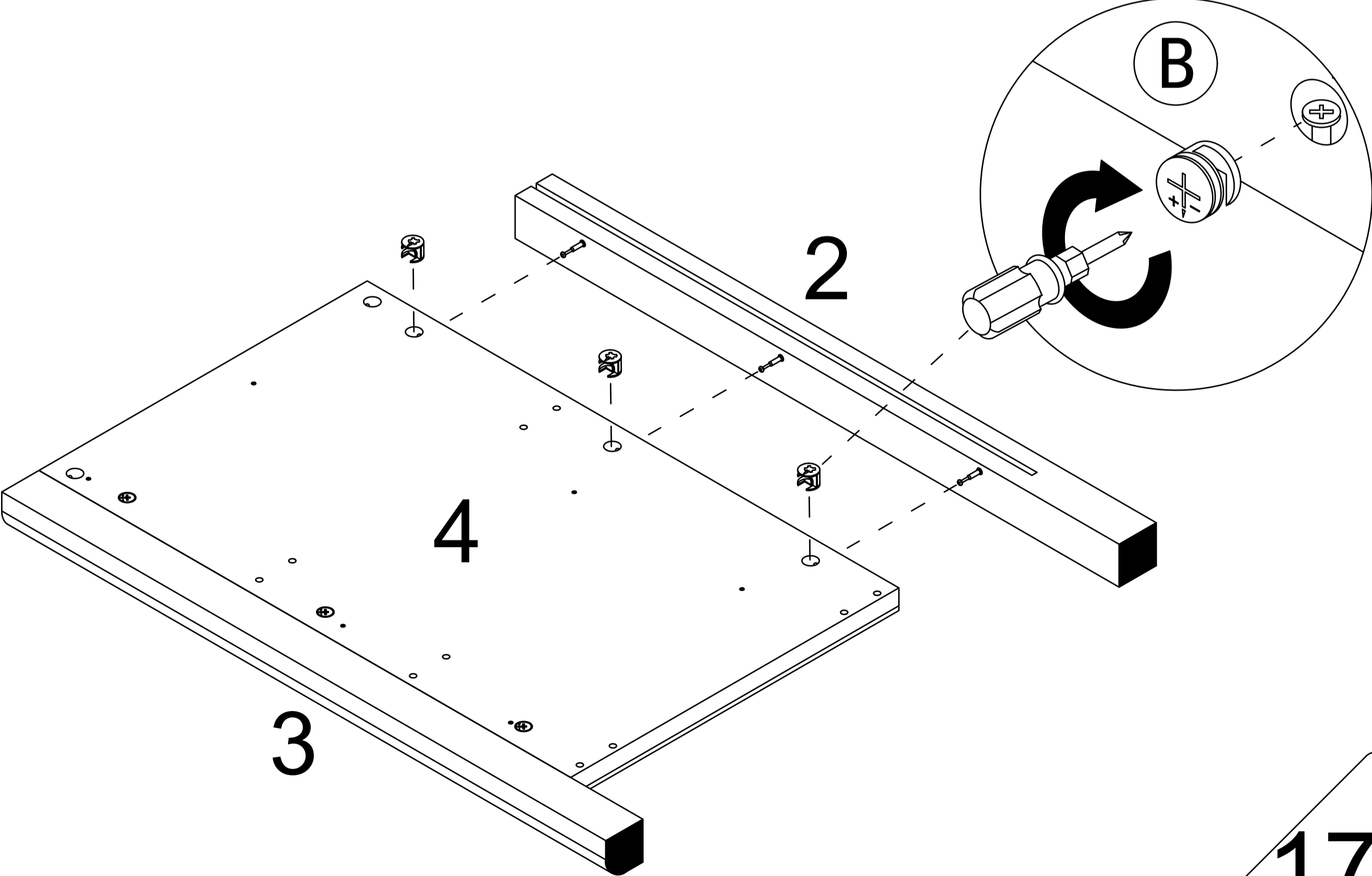
Step 18

B  x 3

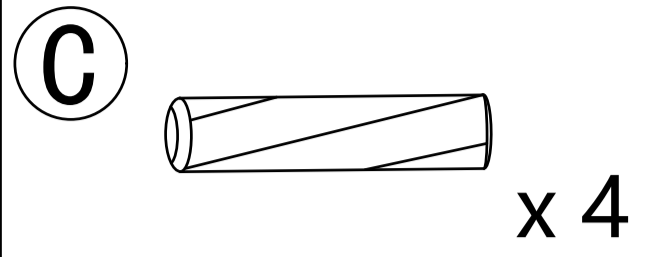
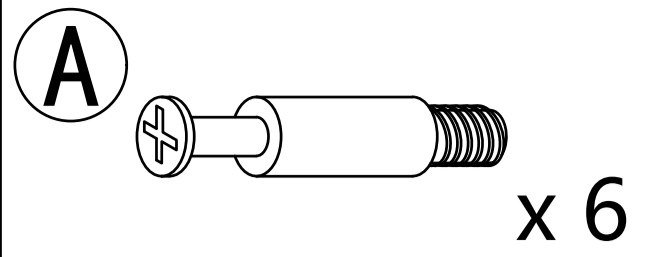
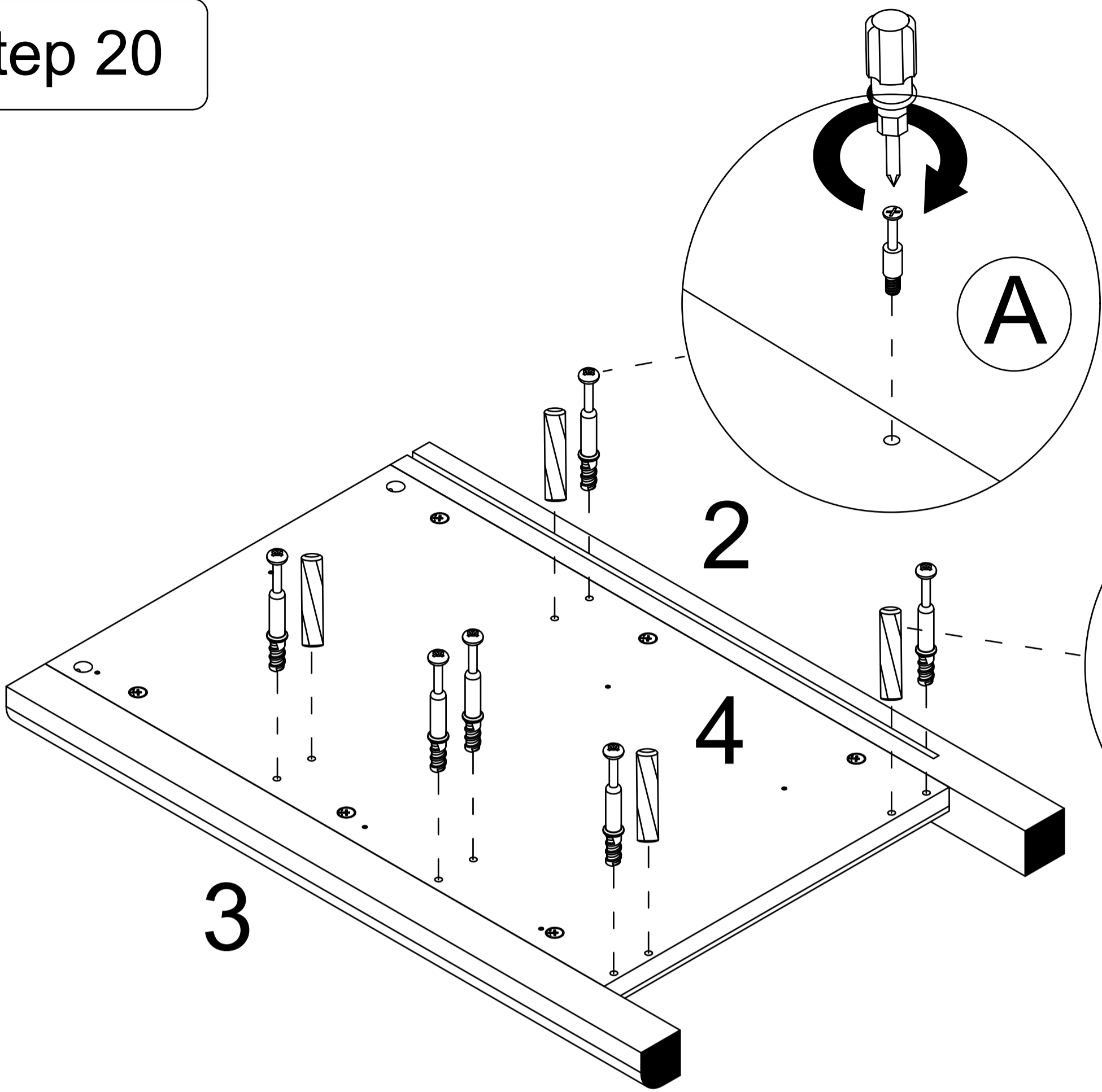


Step 19

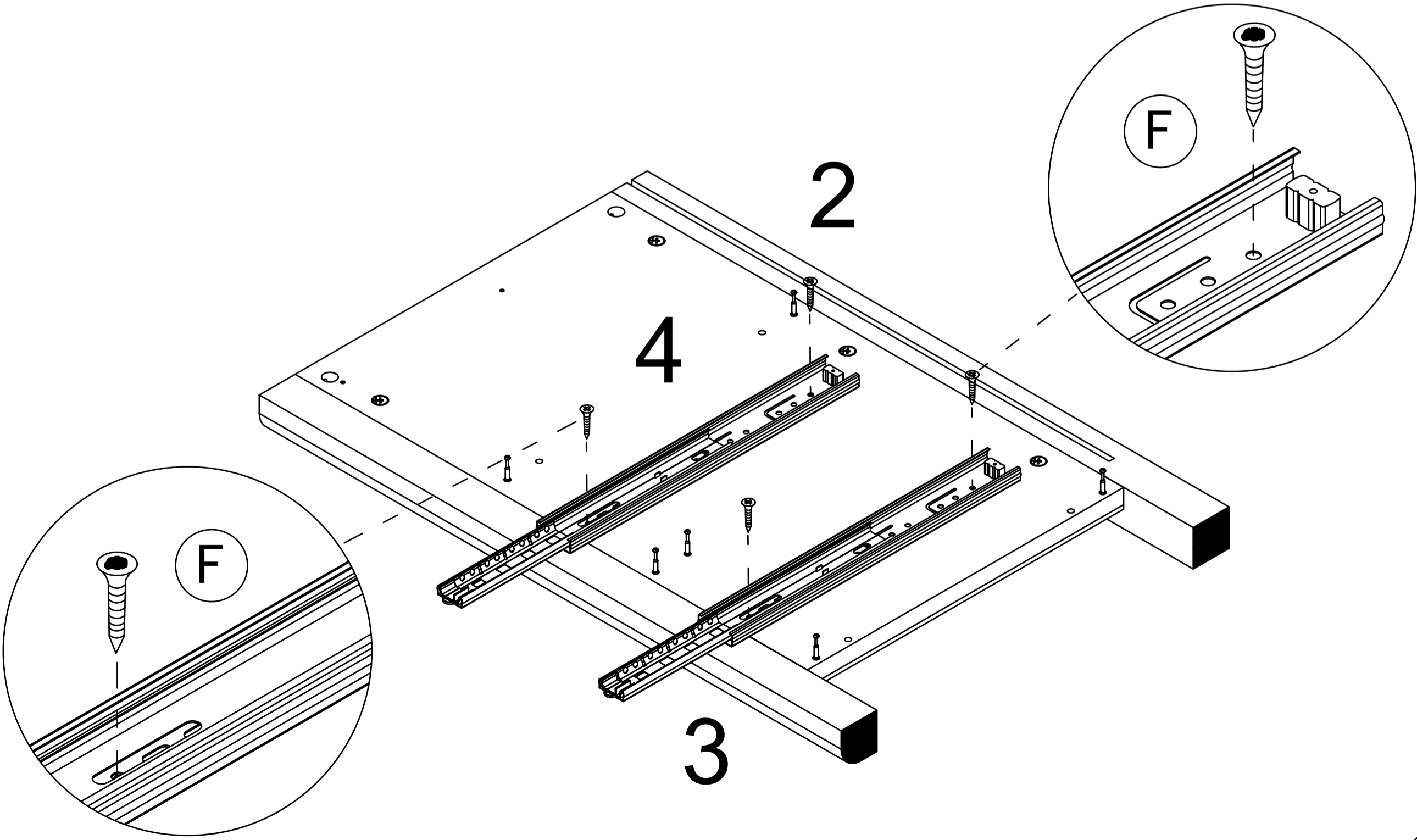
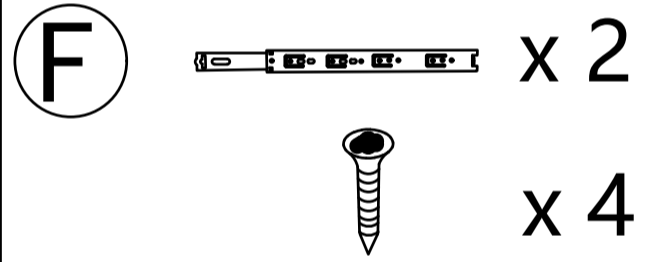
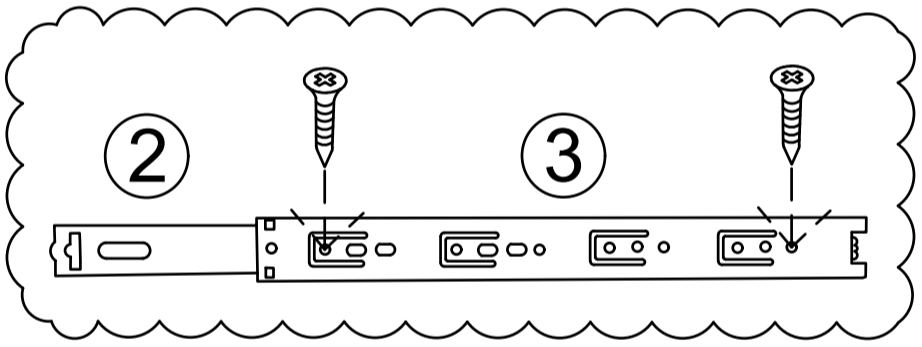
B  x 3



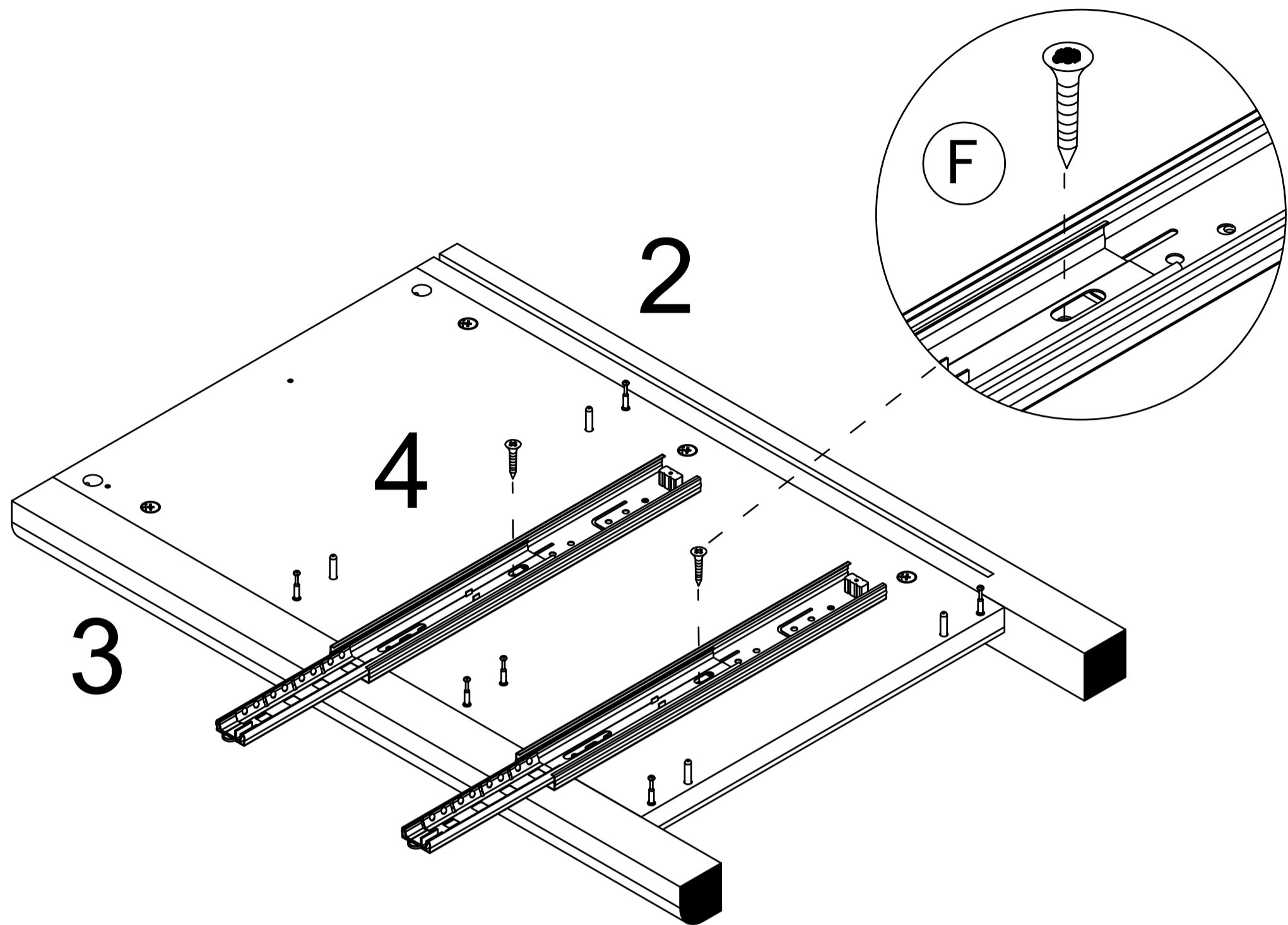
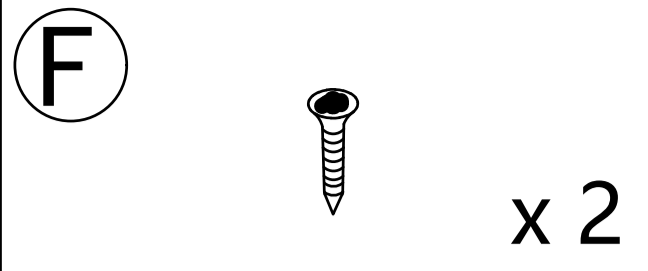
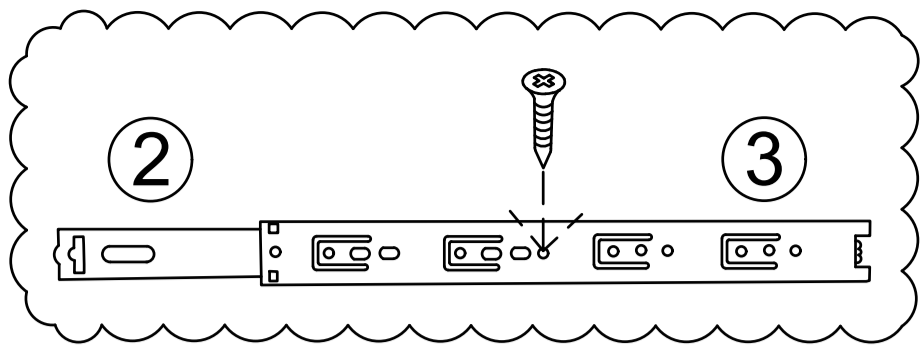
Step 20



Step 21

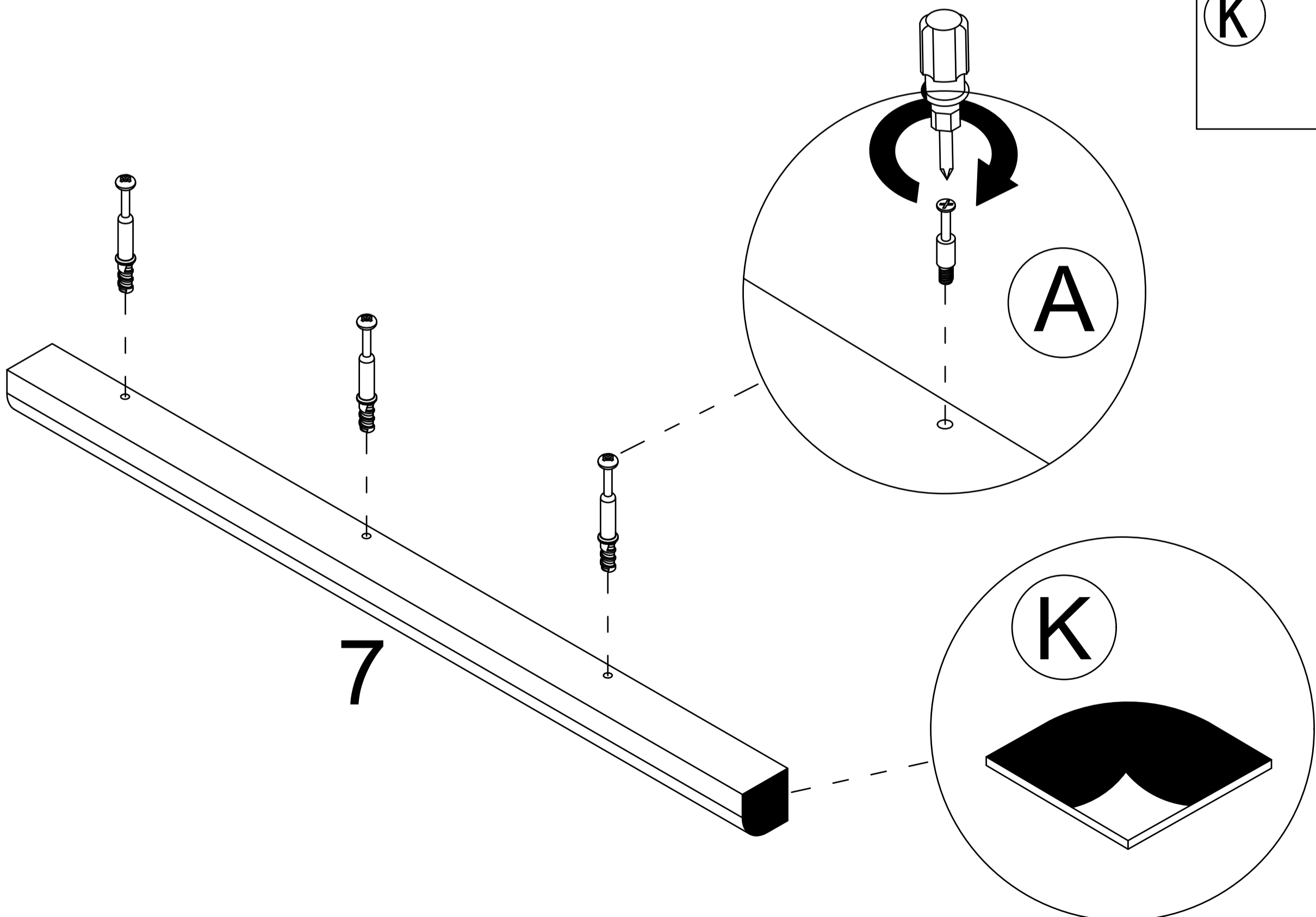
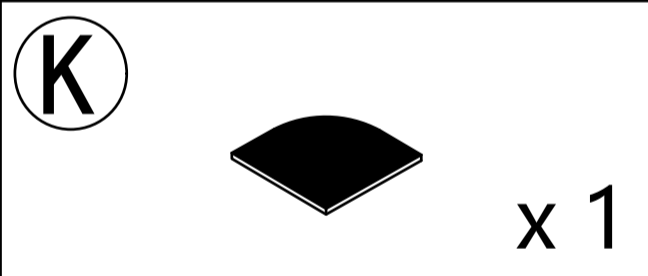
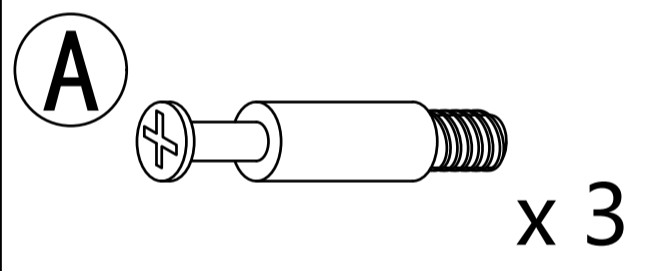


Step 22

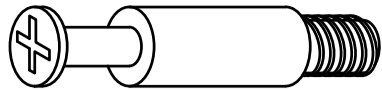
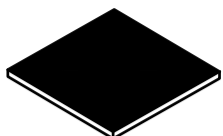


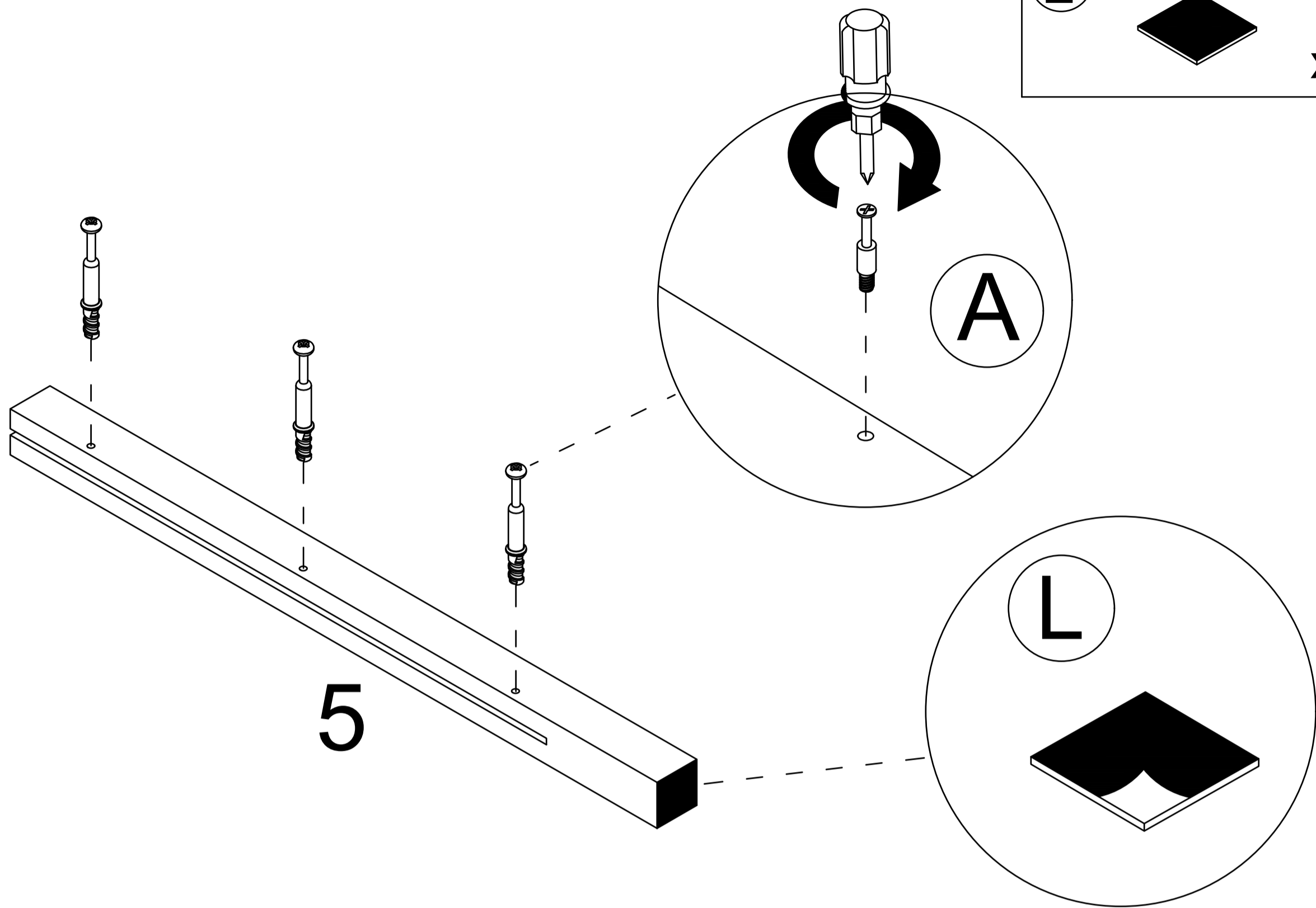
This hole is for strengthening fixed hole customers can choose to install according to their needs.

Step 23

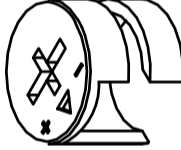


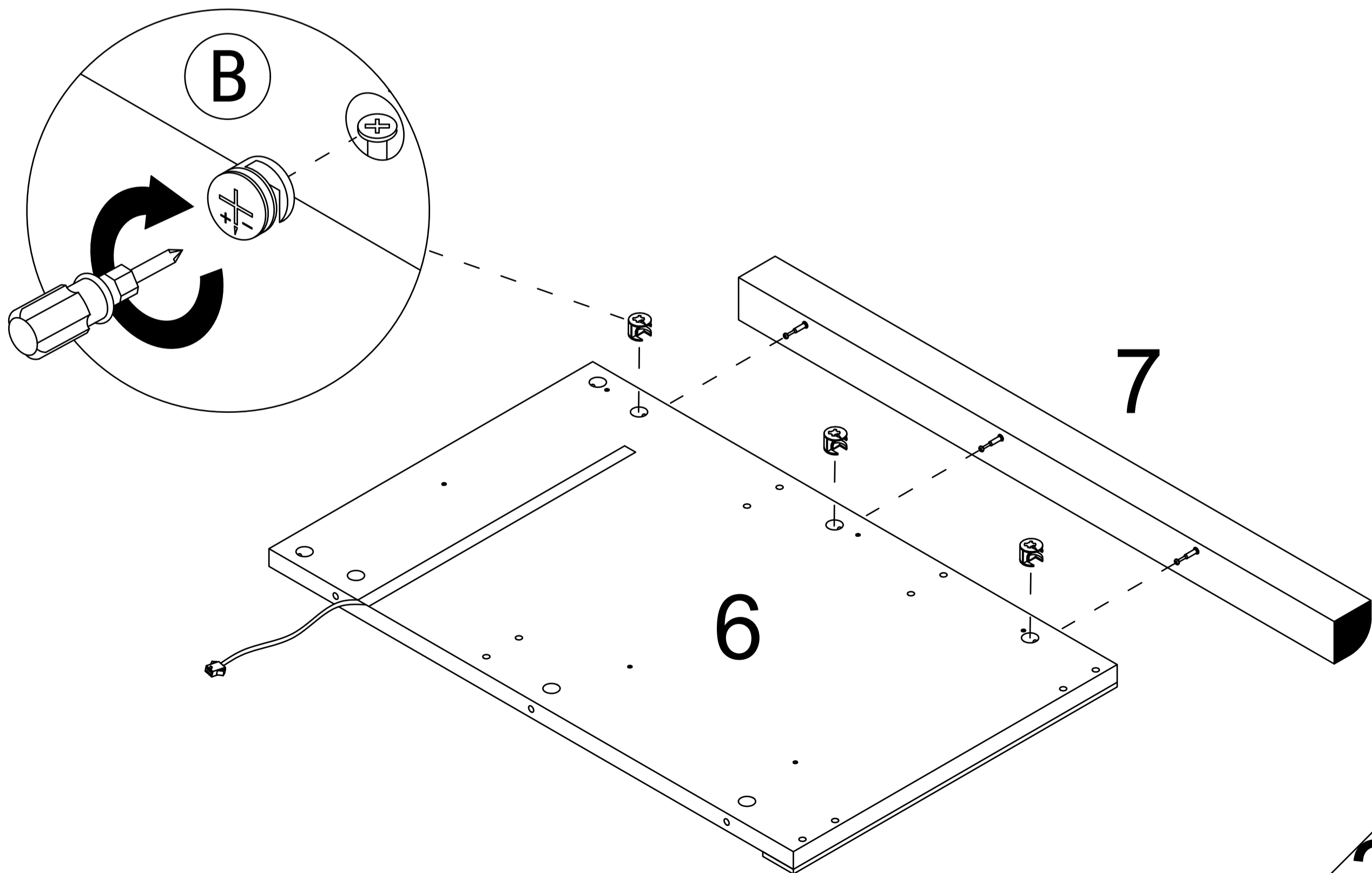
Step 24

- A**  x 3
- L**  x 1



Step 25

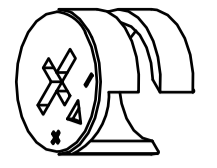
- B**  x 3



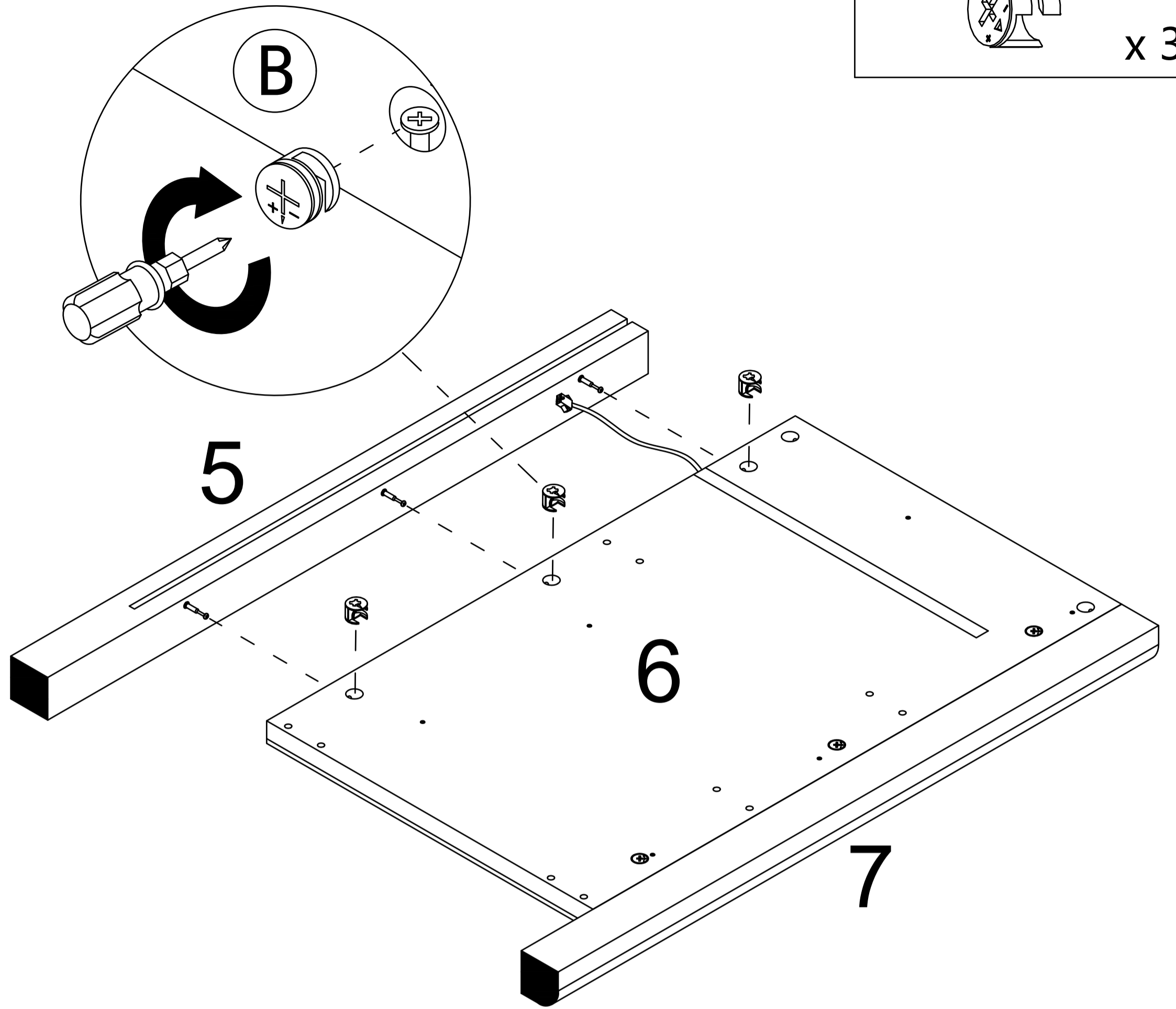
20

Step 26

B



x 3



Step 27

A



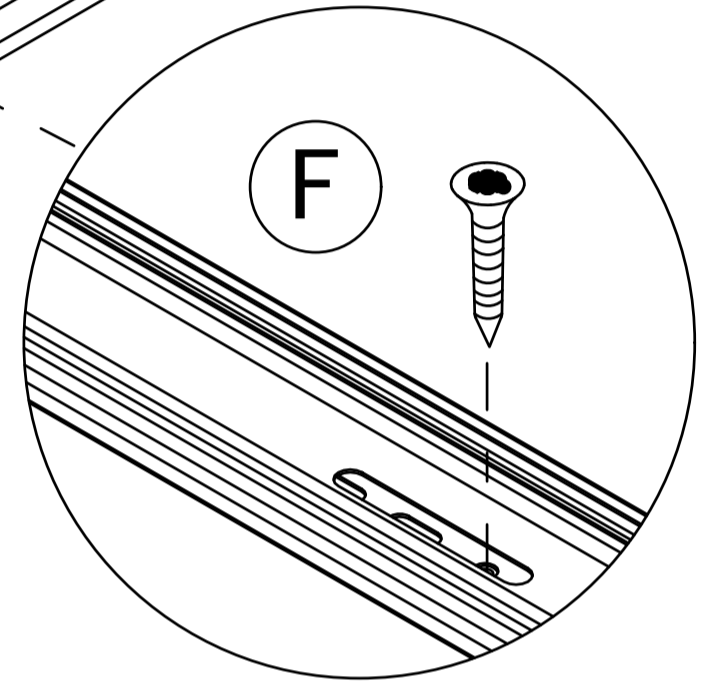
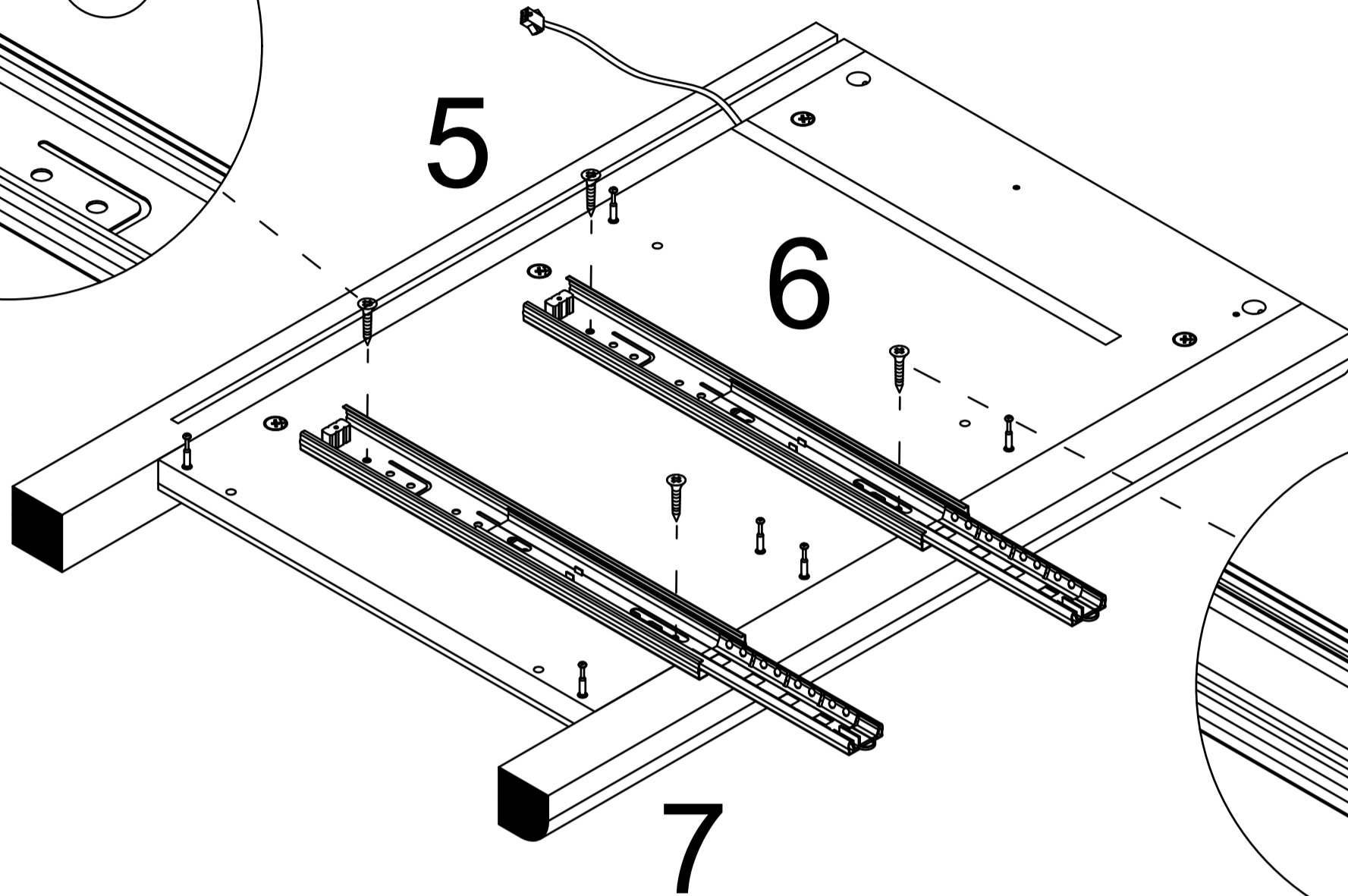
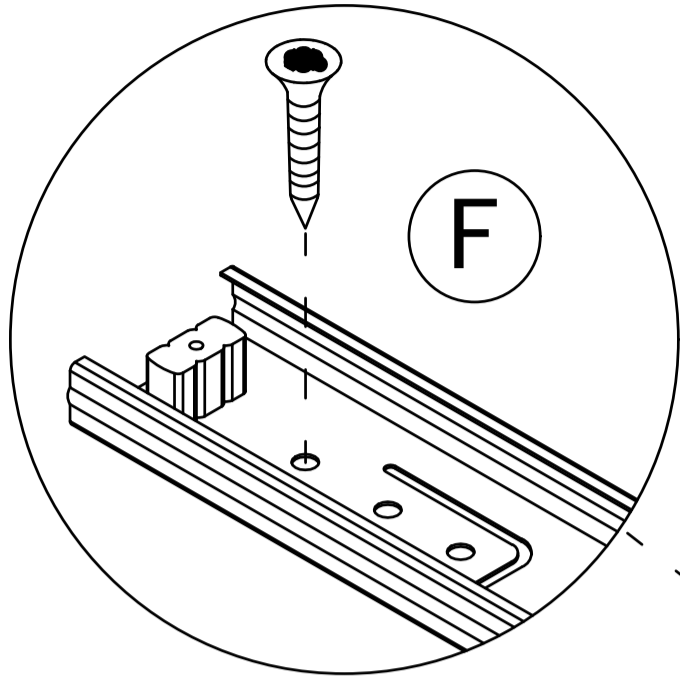
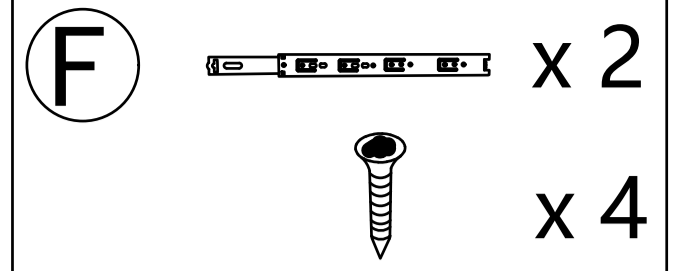
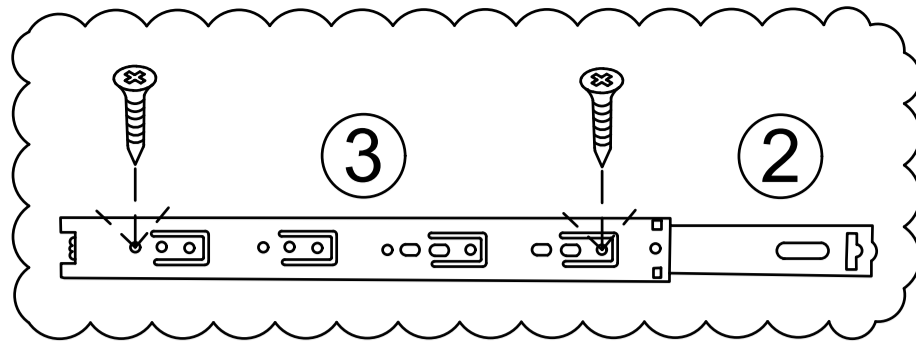
x 6



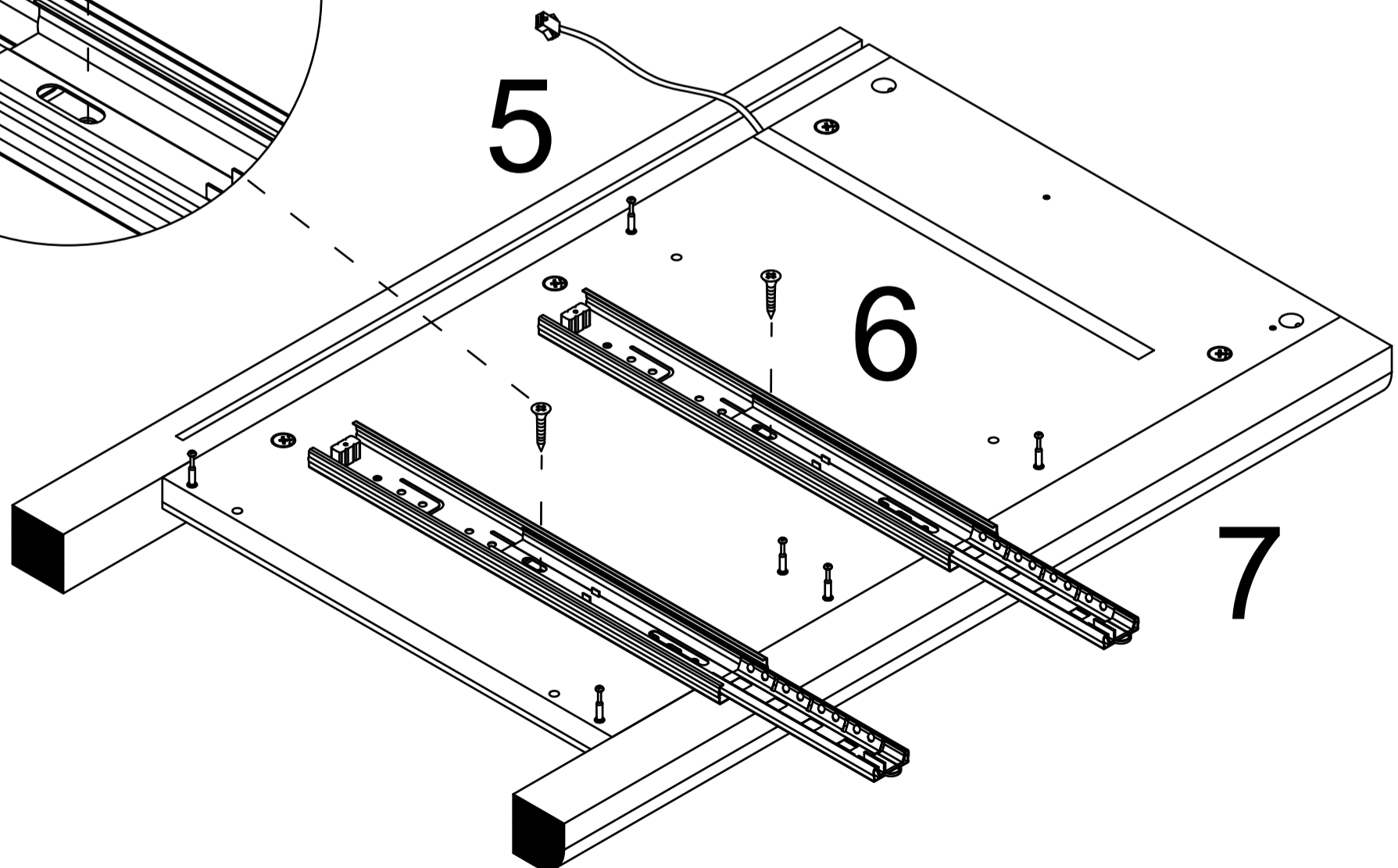
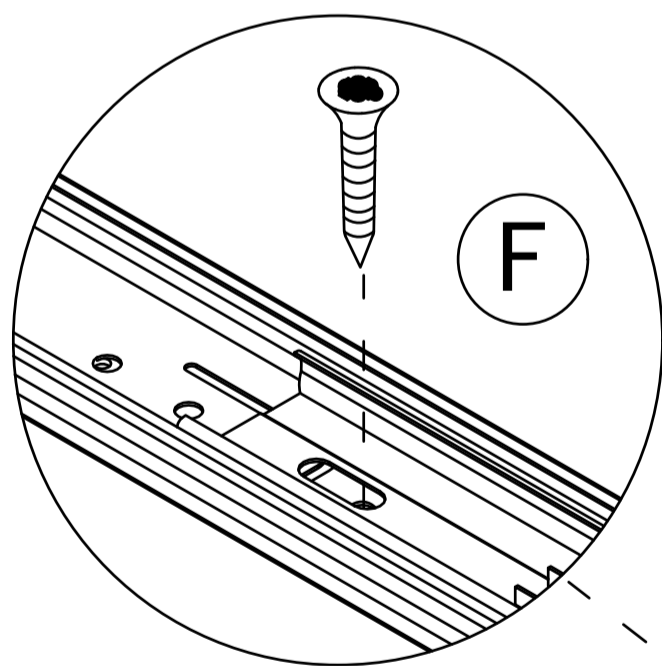
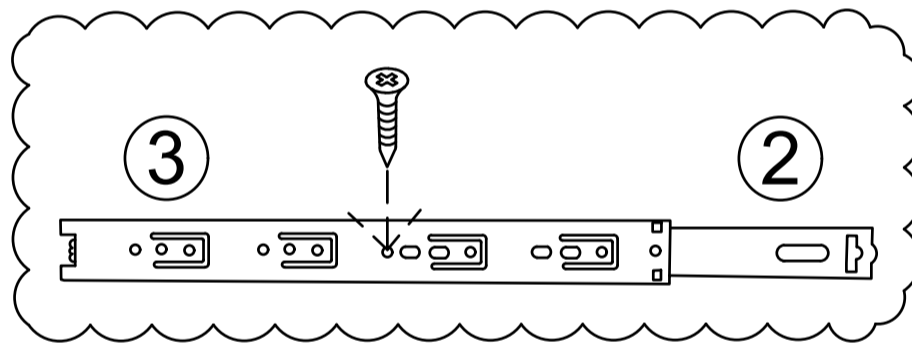
21

SY

Step 28



Step 29

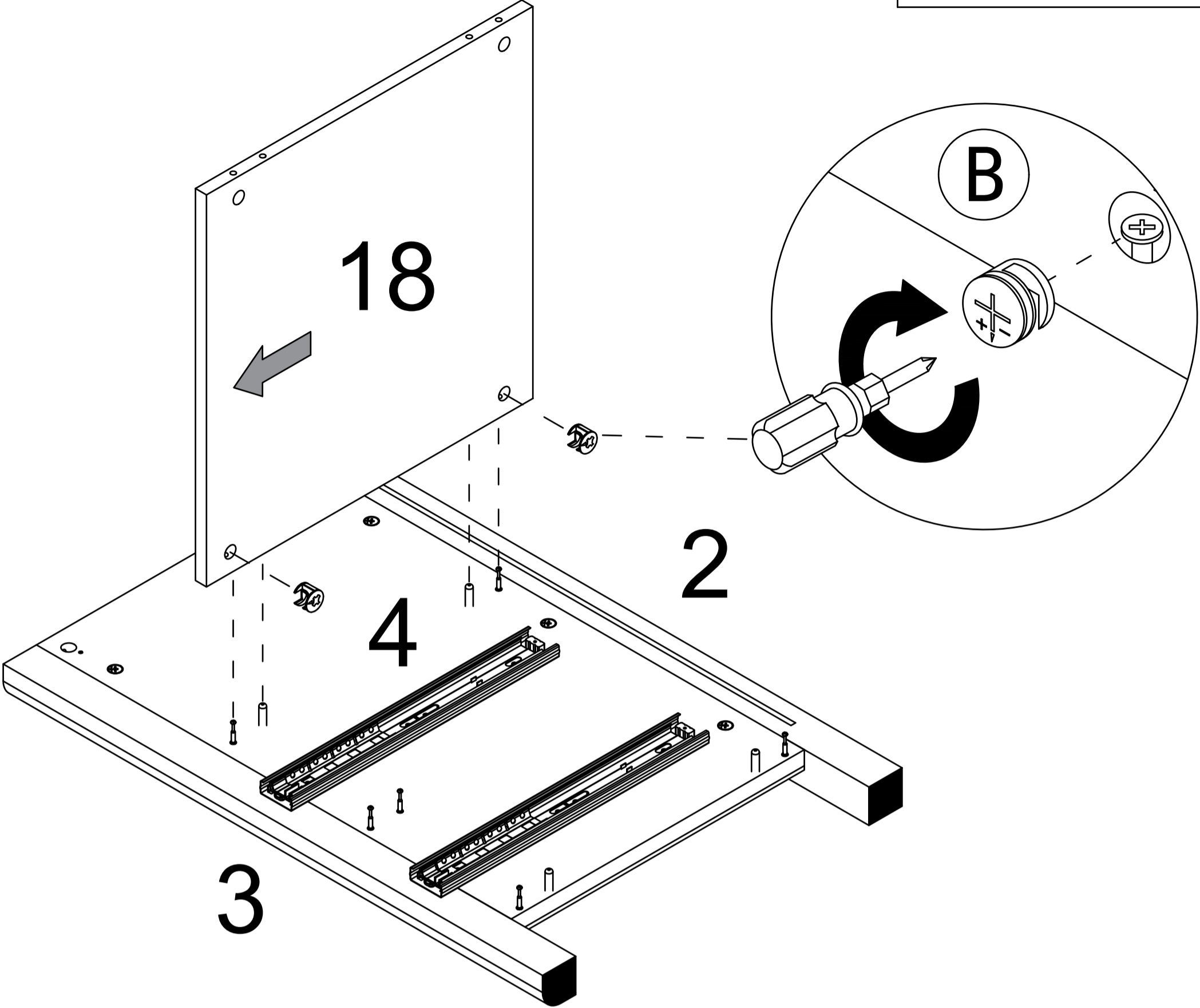
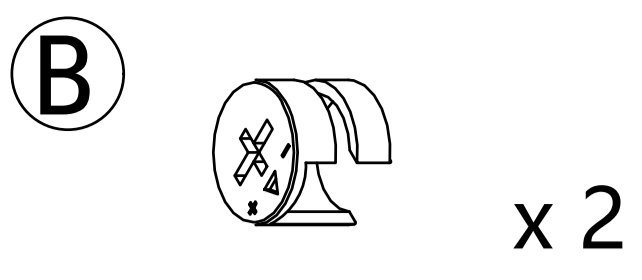


This hole is for strengthening fixed hole customers can choose to install according to their needs.

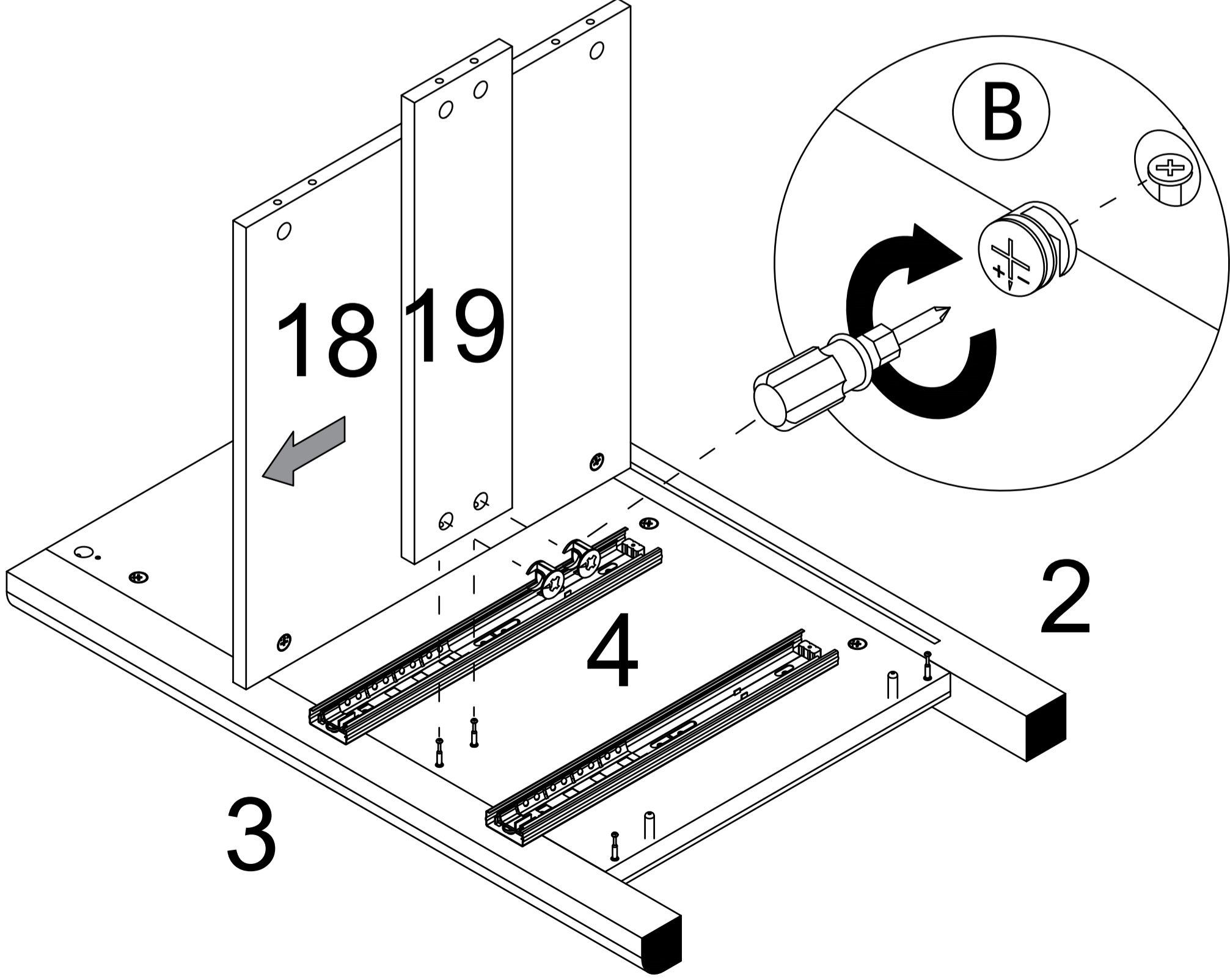
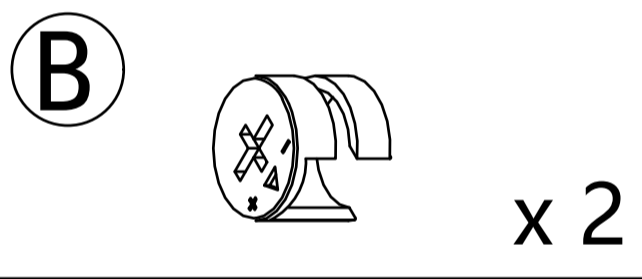
SY

Step 30

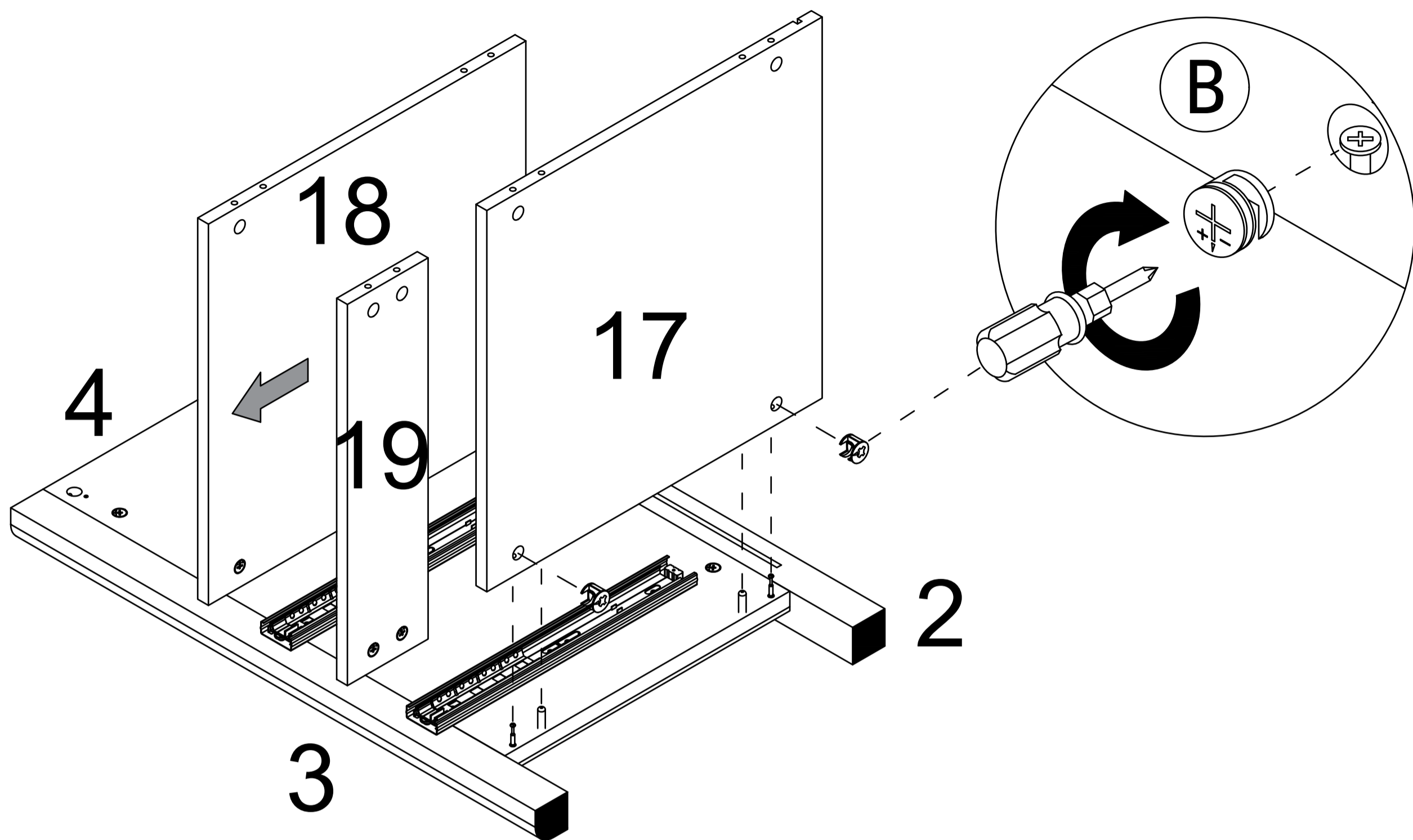
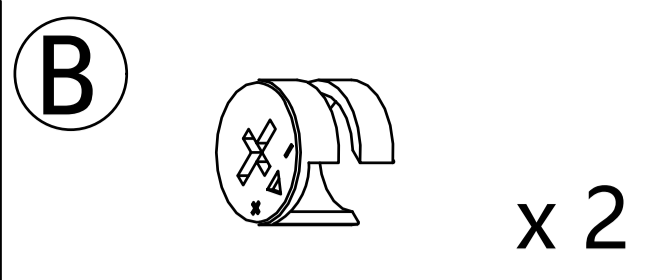
Install in the direction of the arrow



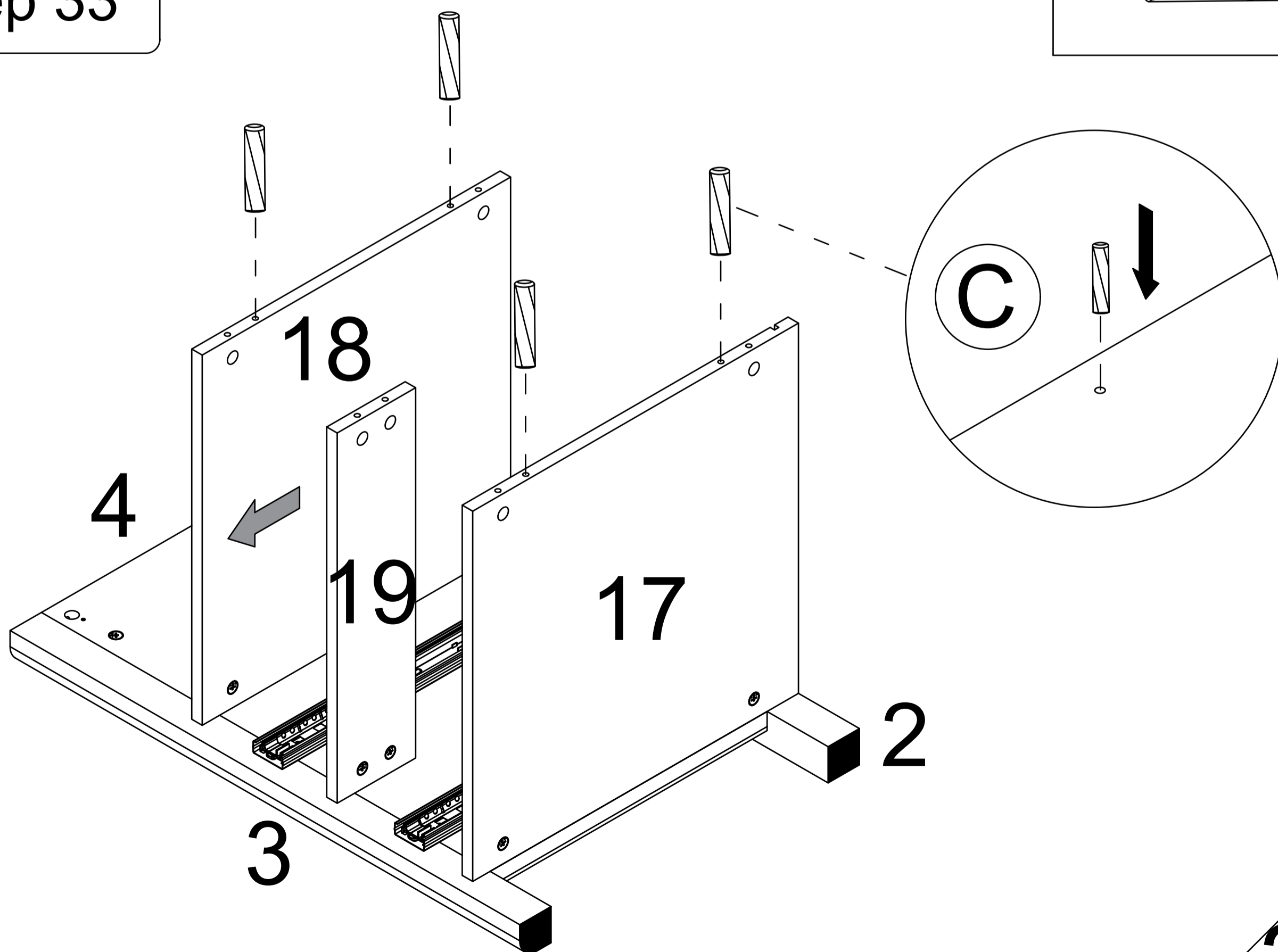
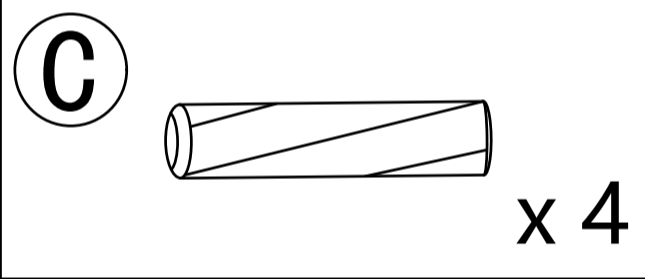
Step 31



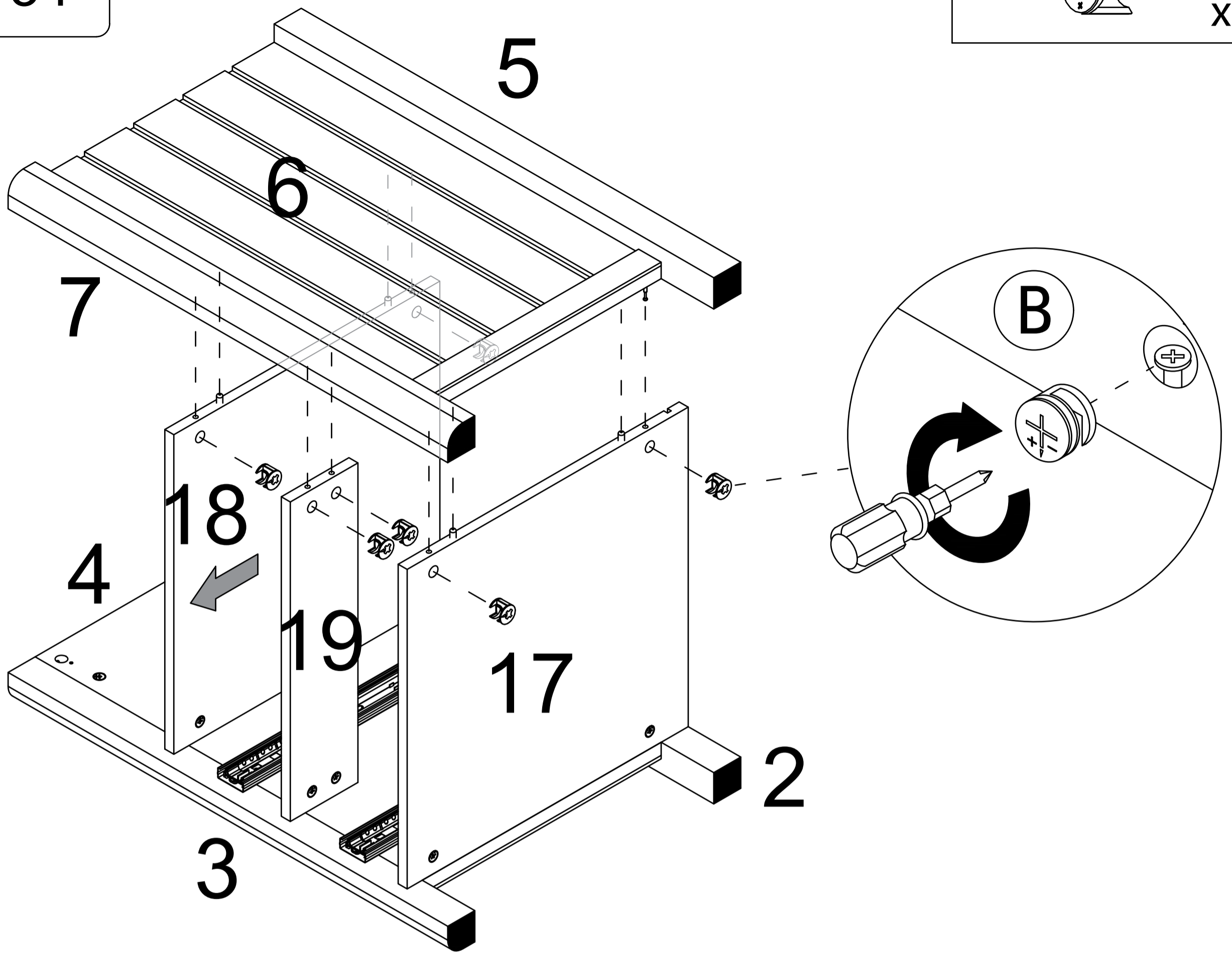
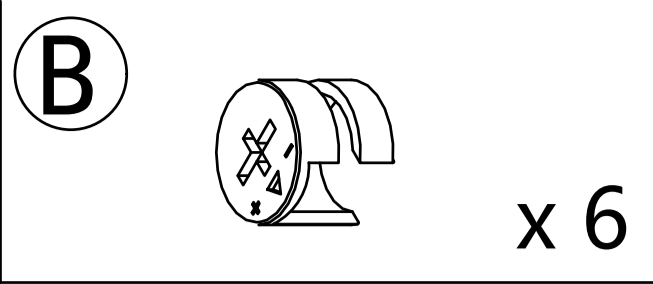
Step 32



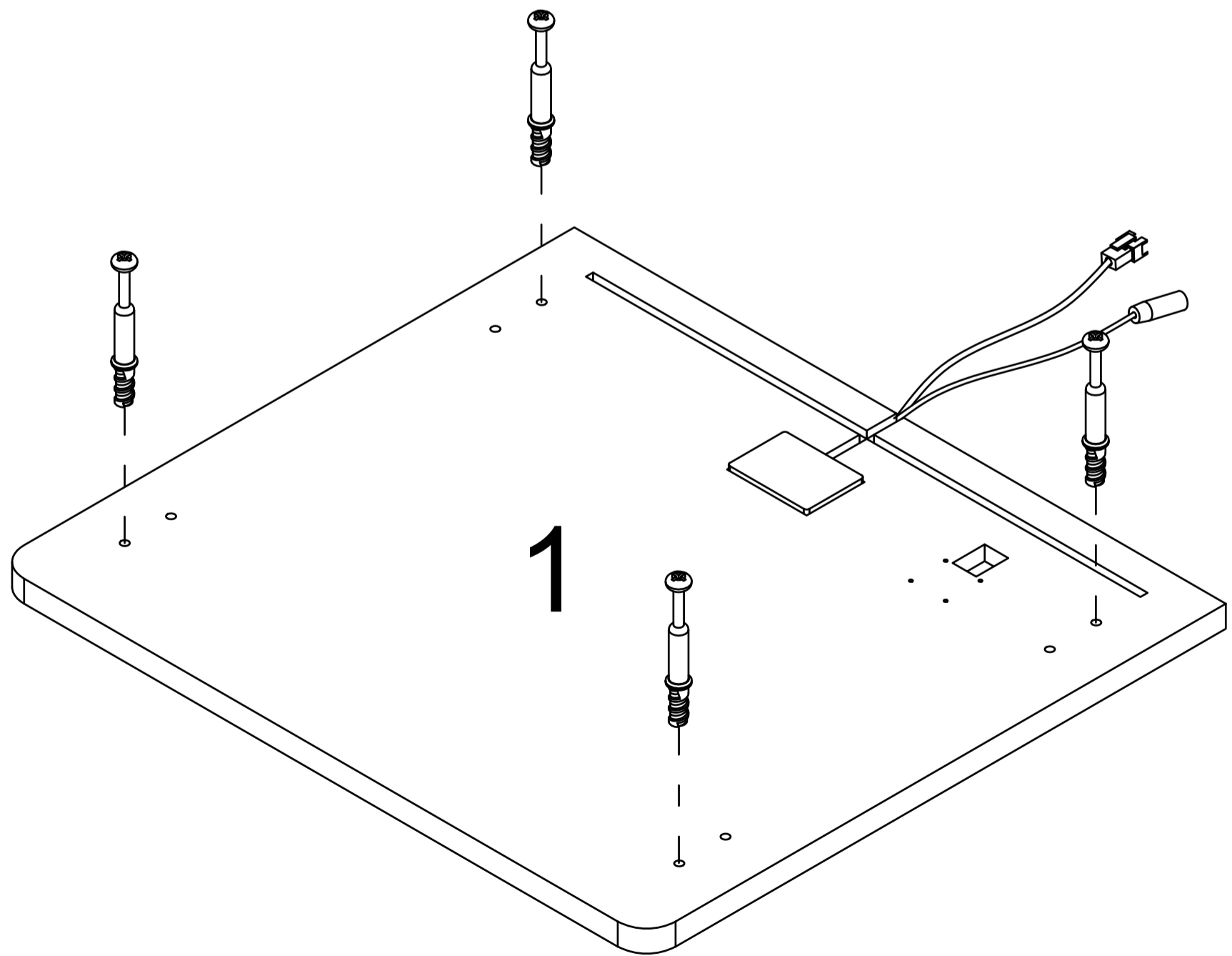
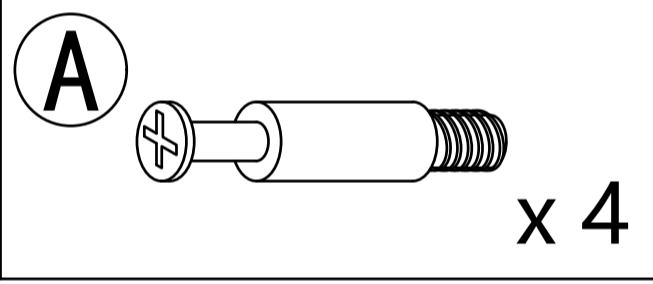
Step 33



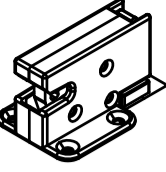

Step 34

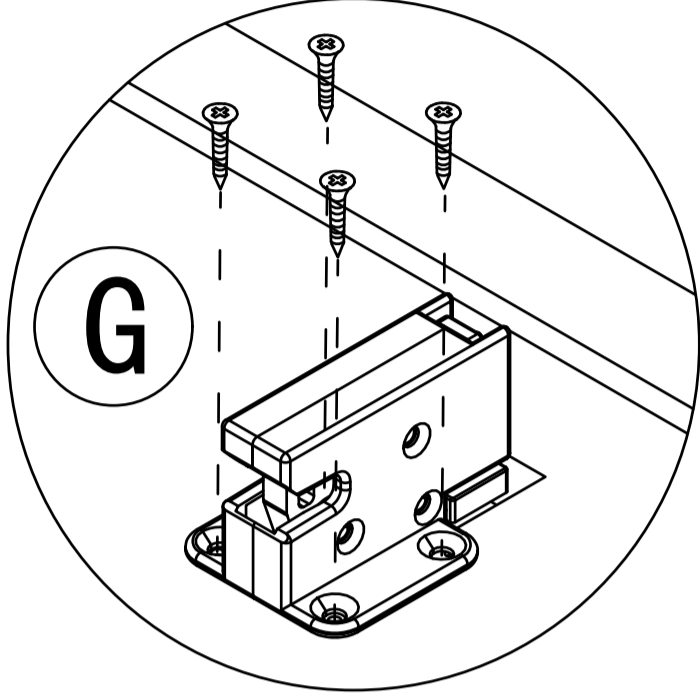
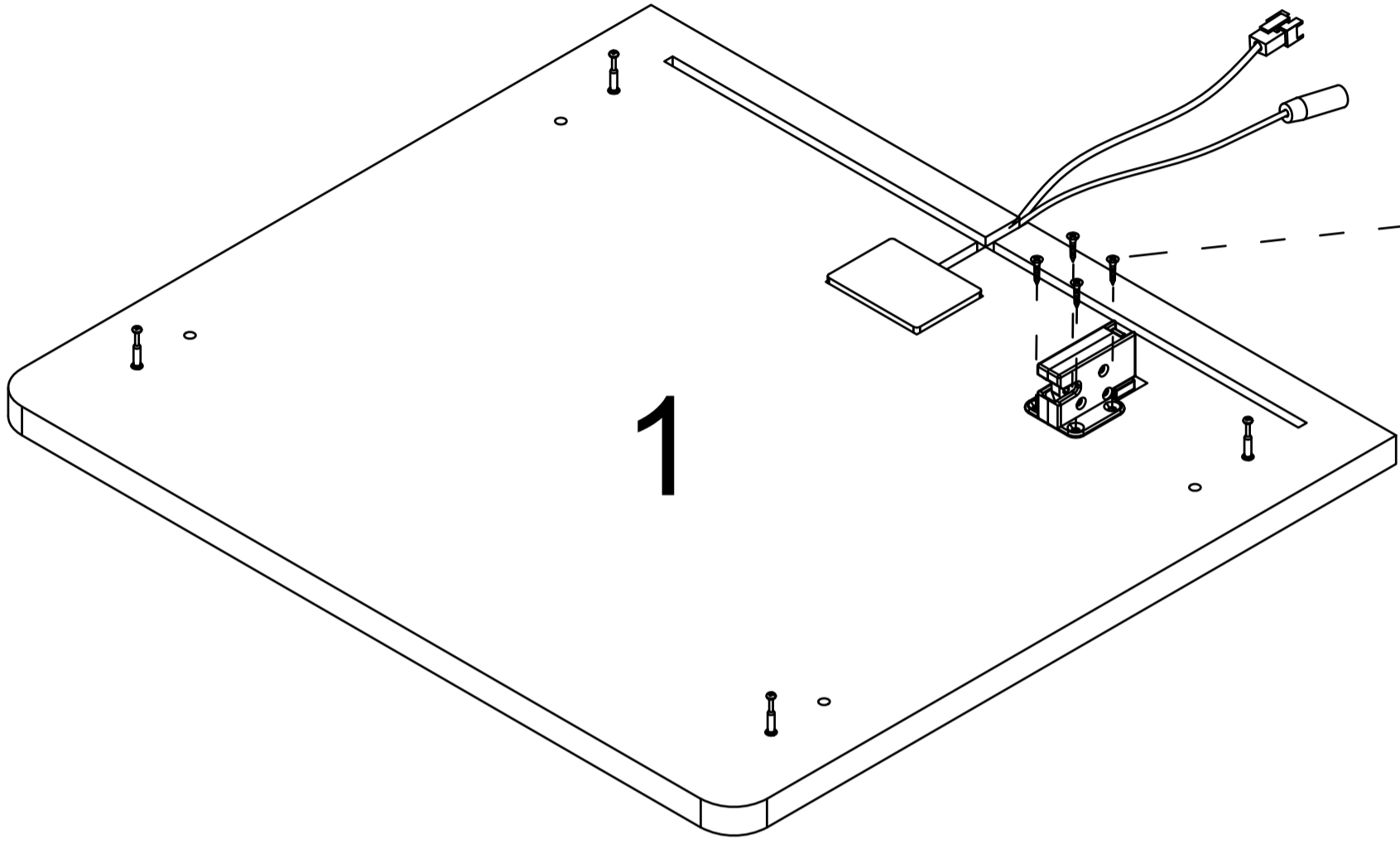


Step 35

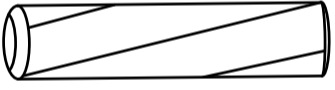


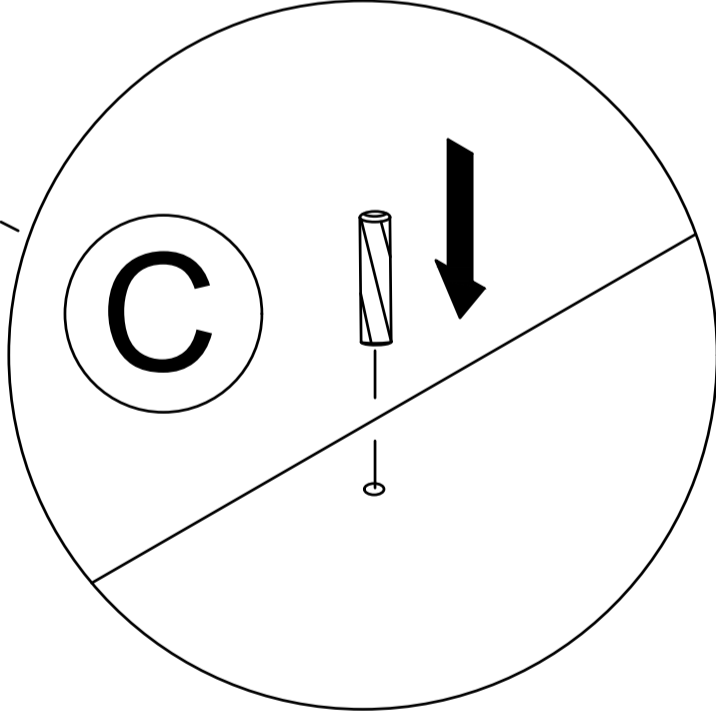
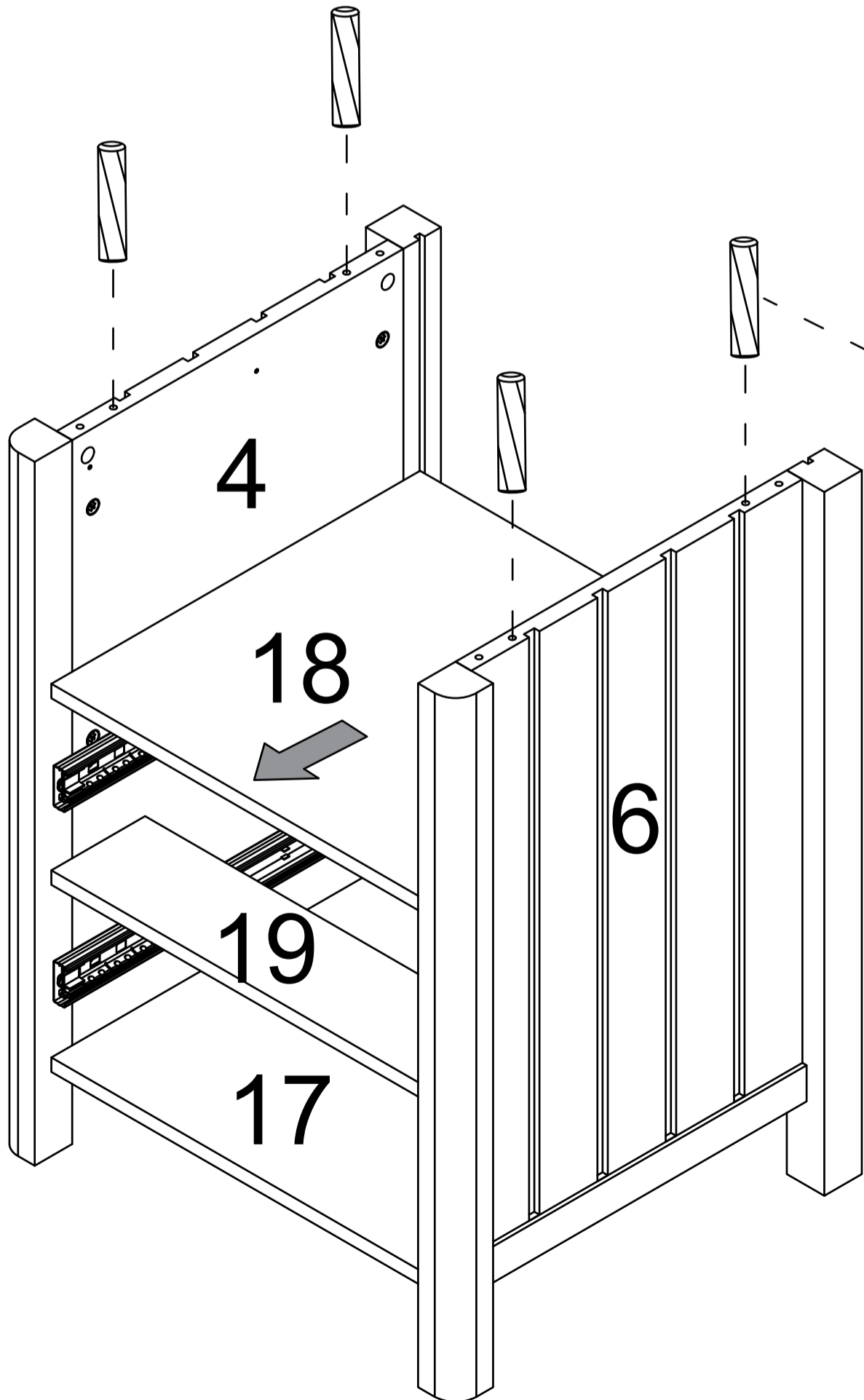
Step 36

- G**  x 1
-  x 4

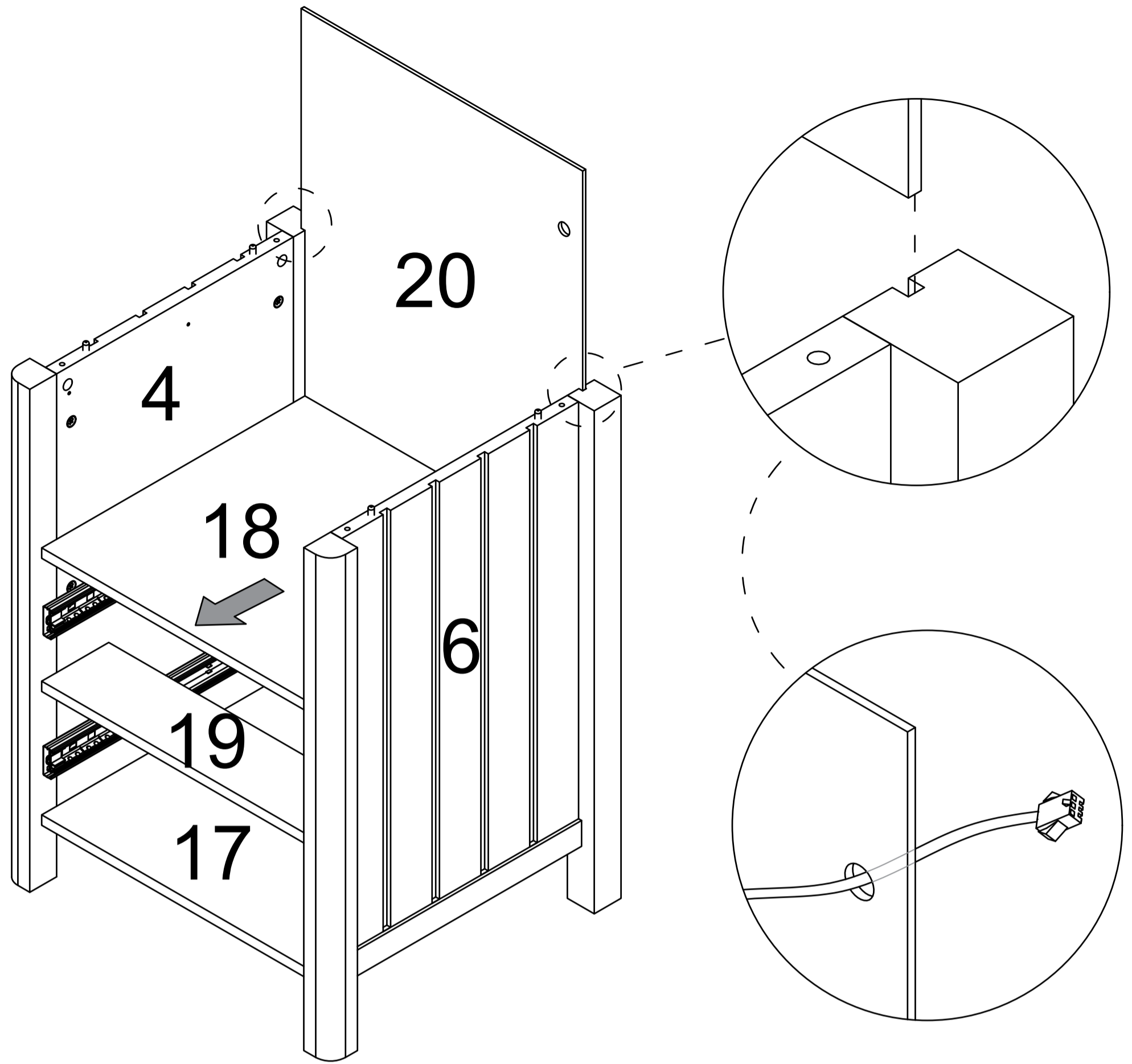


Step 37

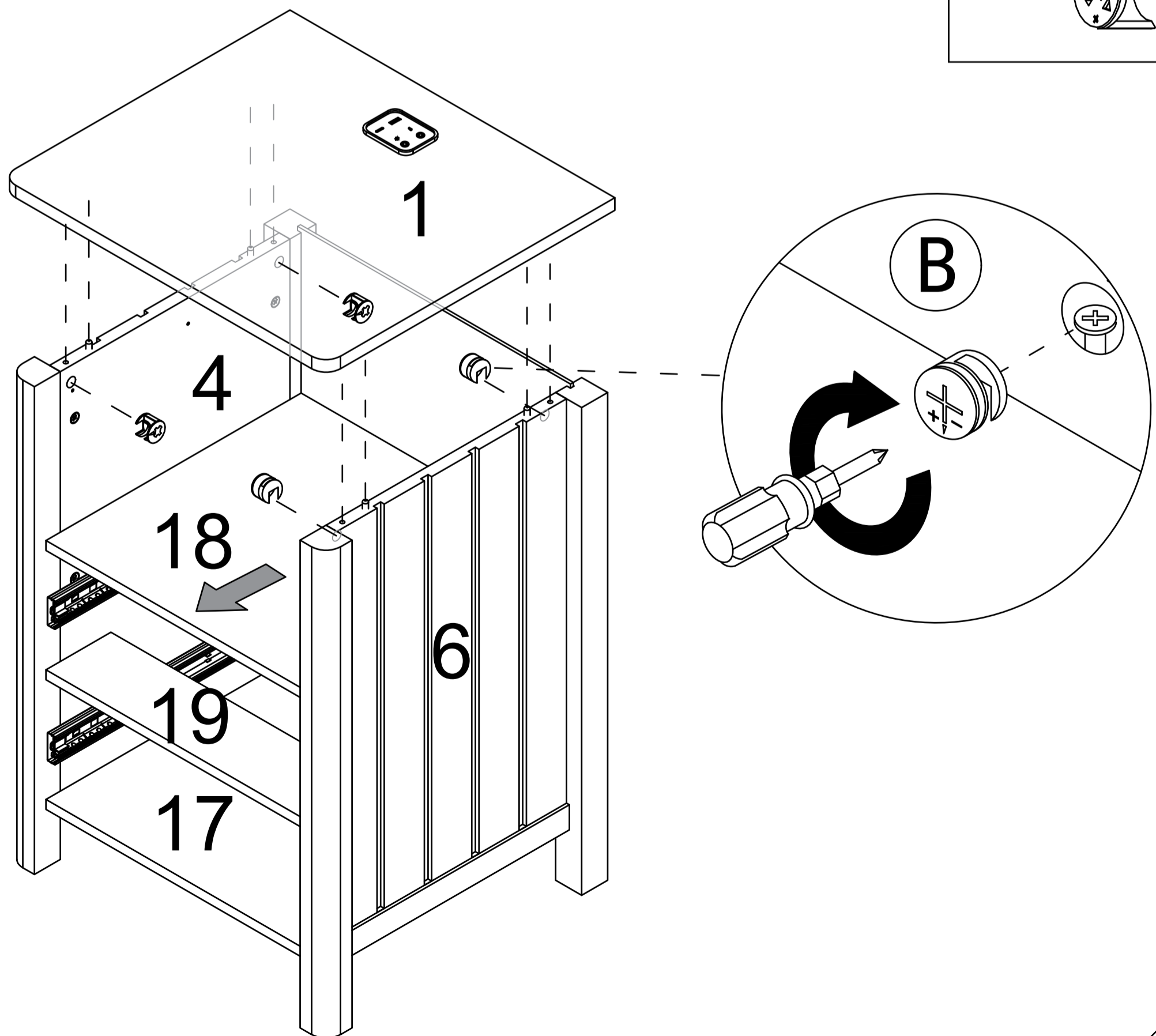
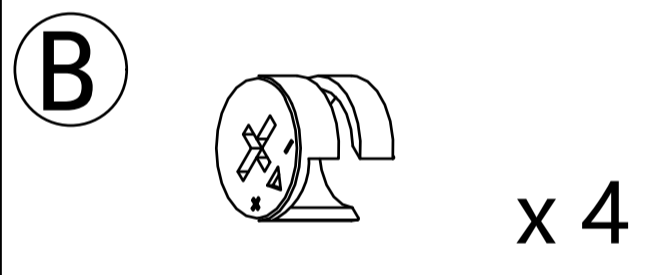
- C**  x 4



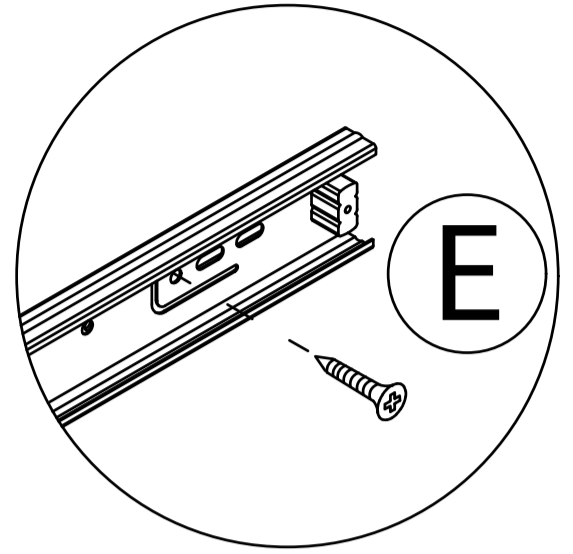
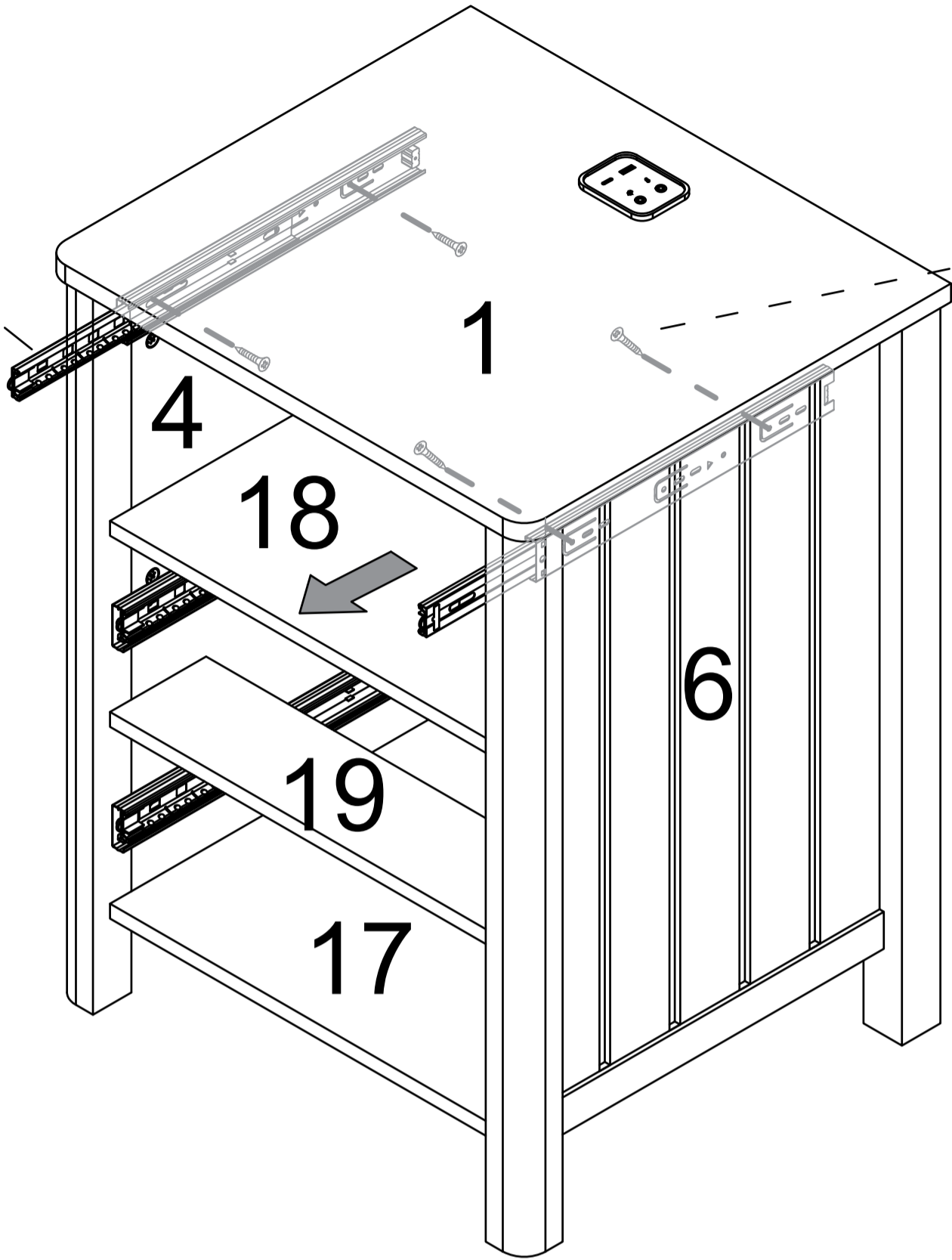
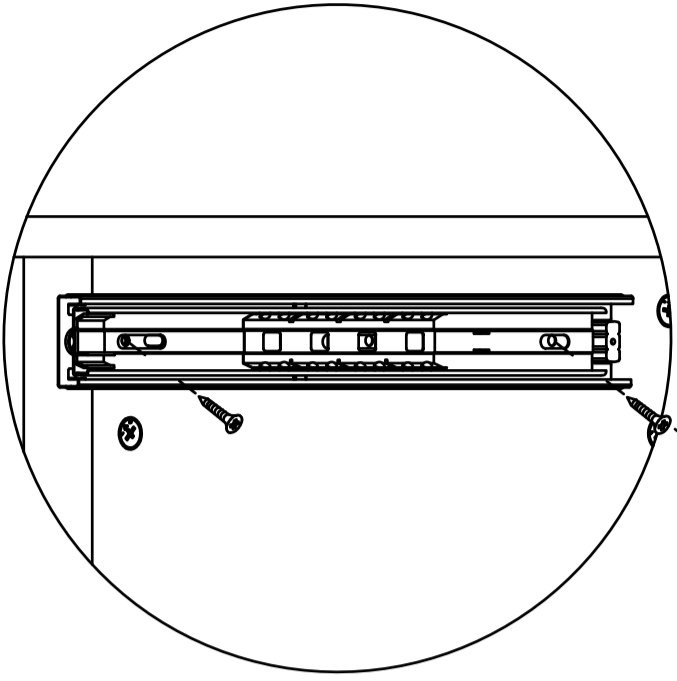
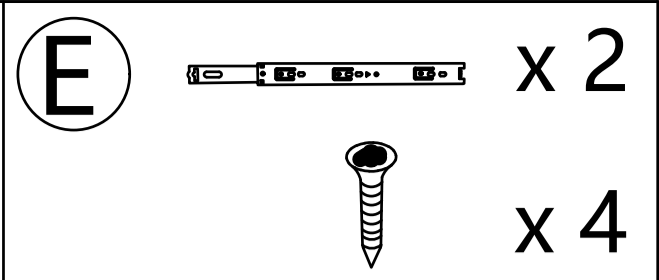
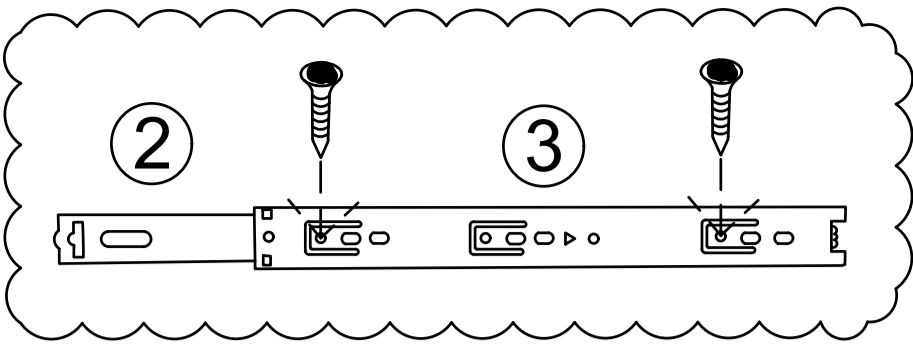
Step 38



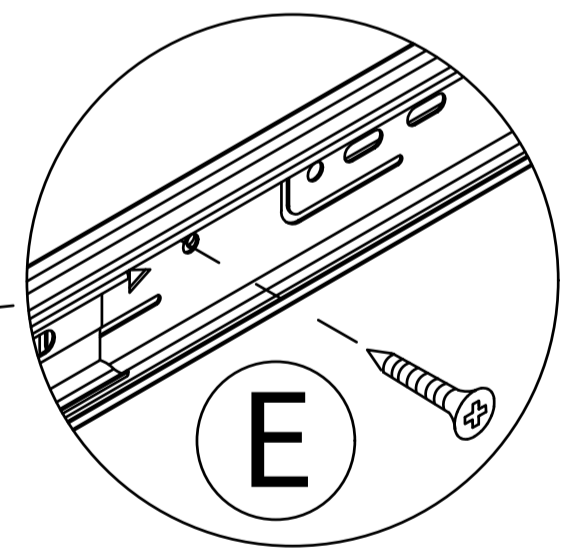
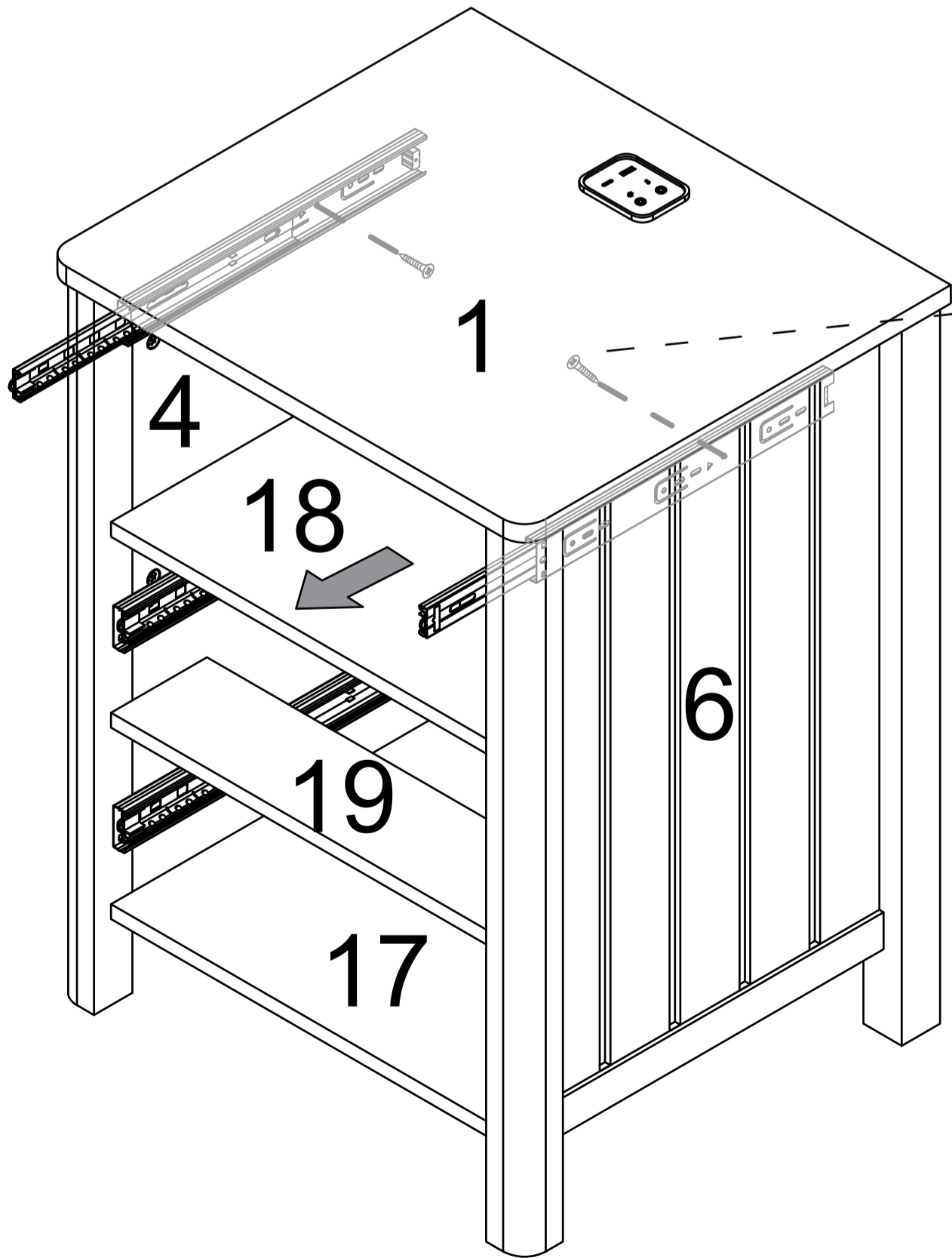
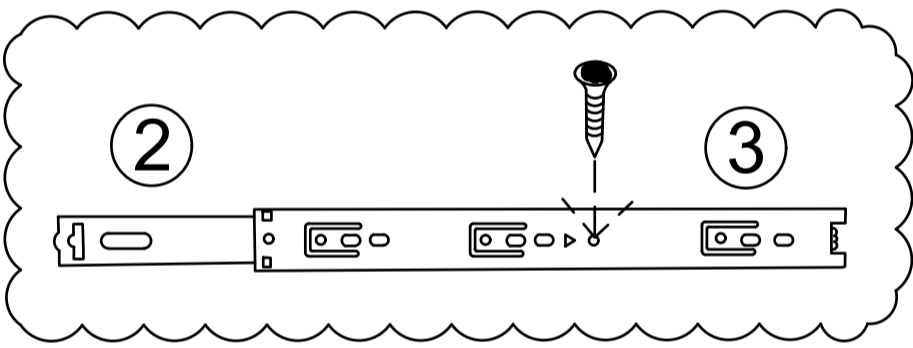
Step 39



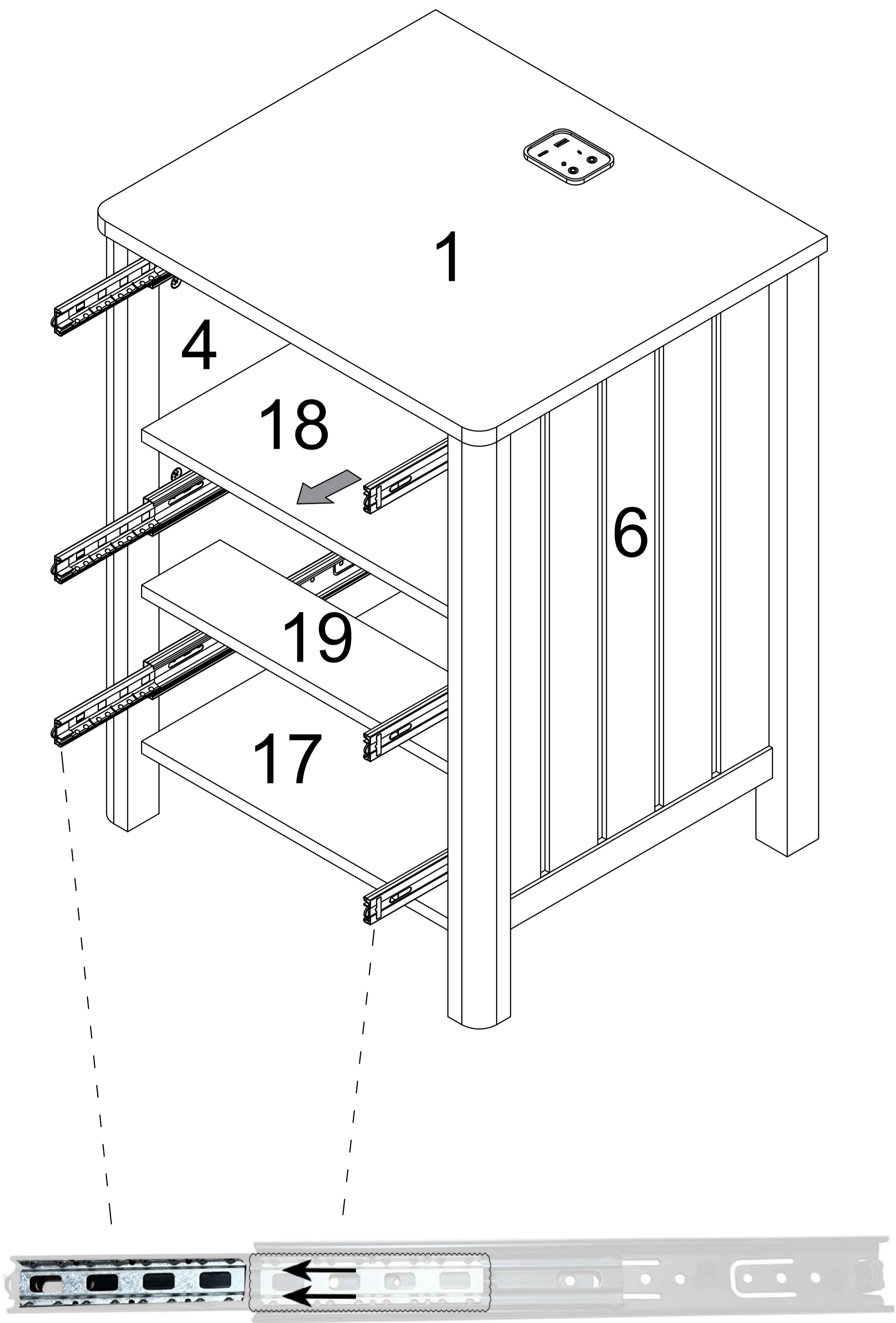
Step 40



Step 41

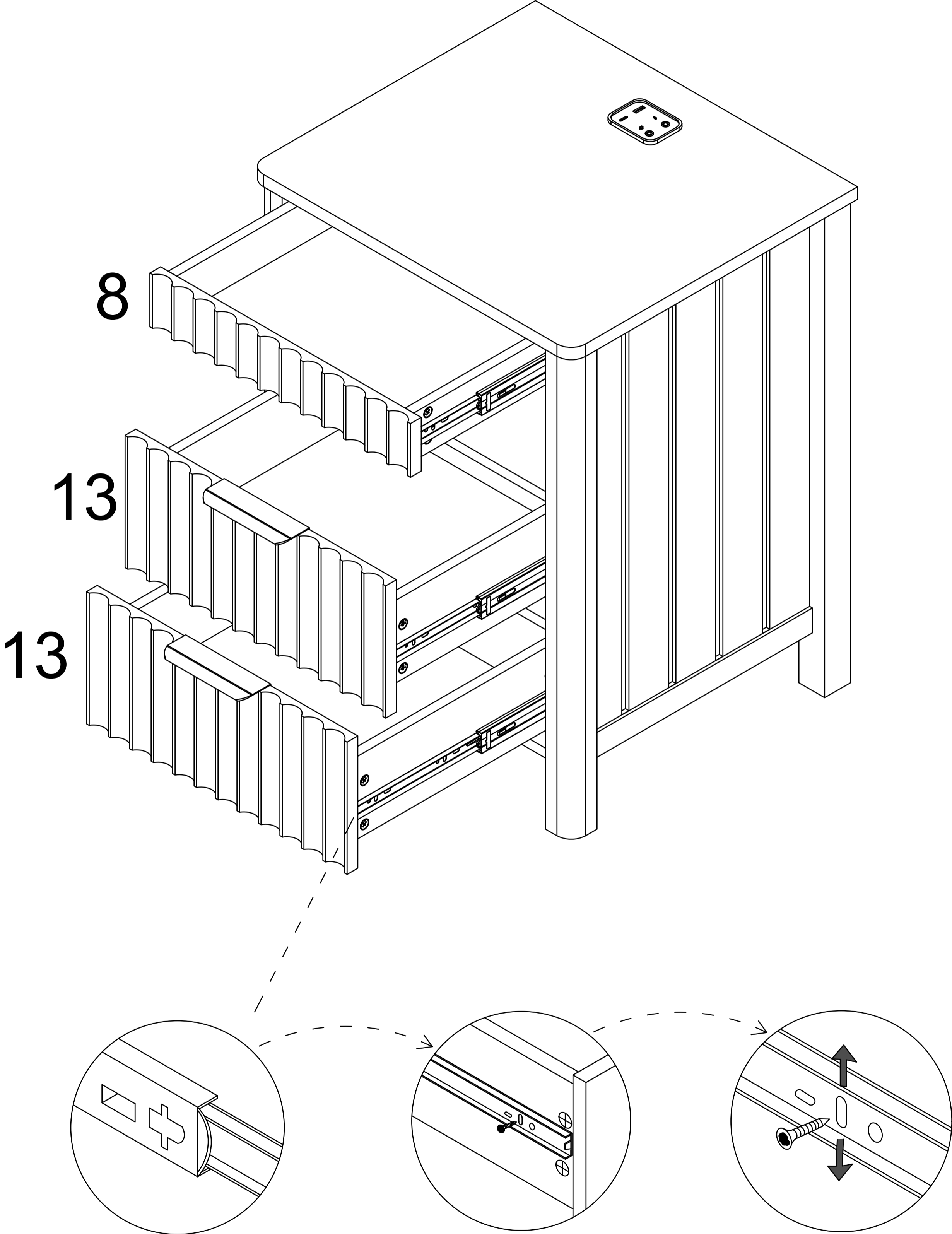


Step 42



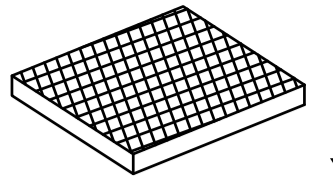
As shown, When installing the drawer, pull the guide rail out first, Slide beads are also pulled out.

Step 43



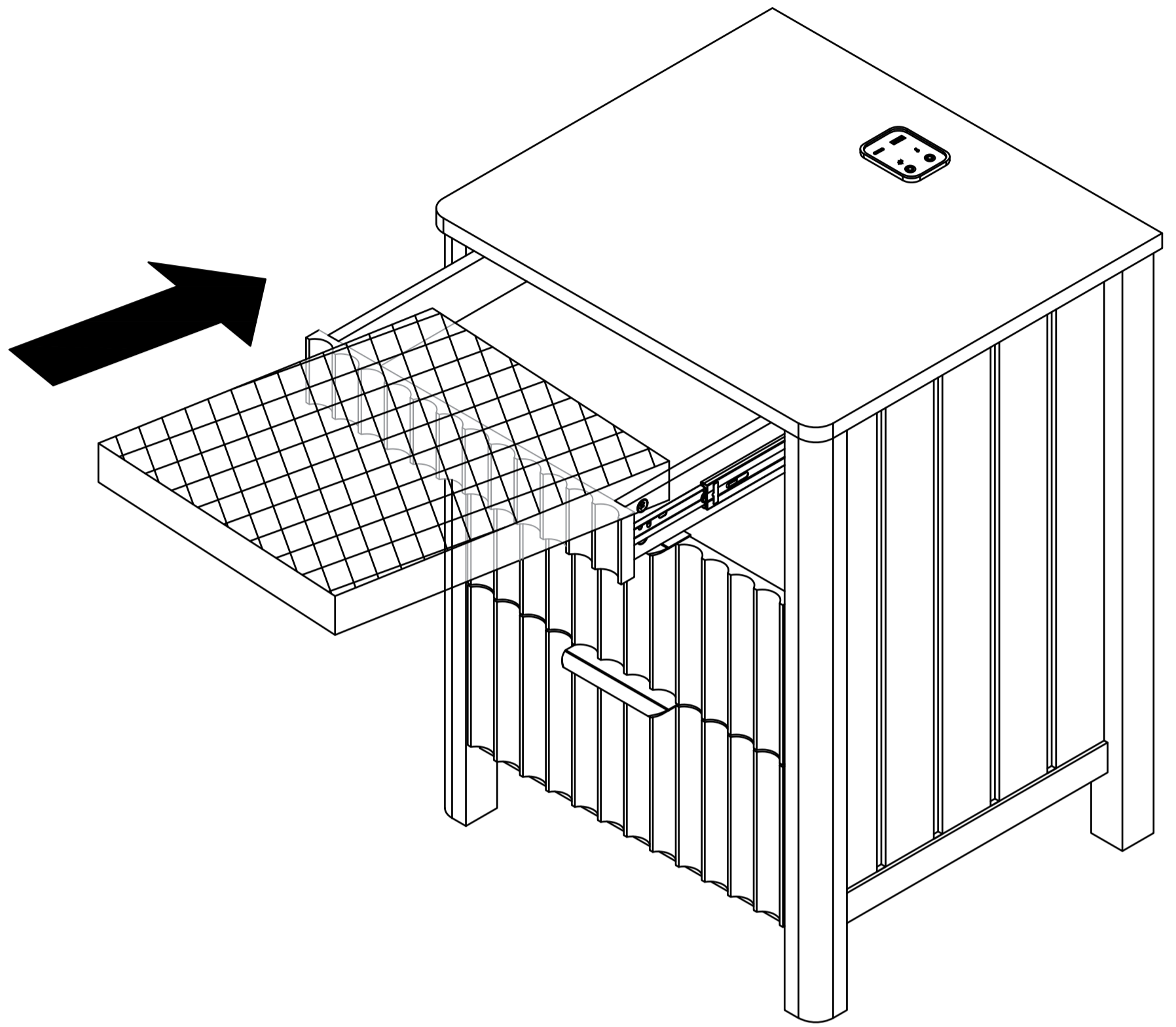
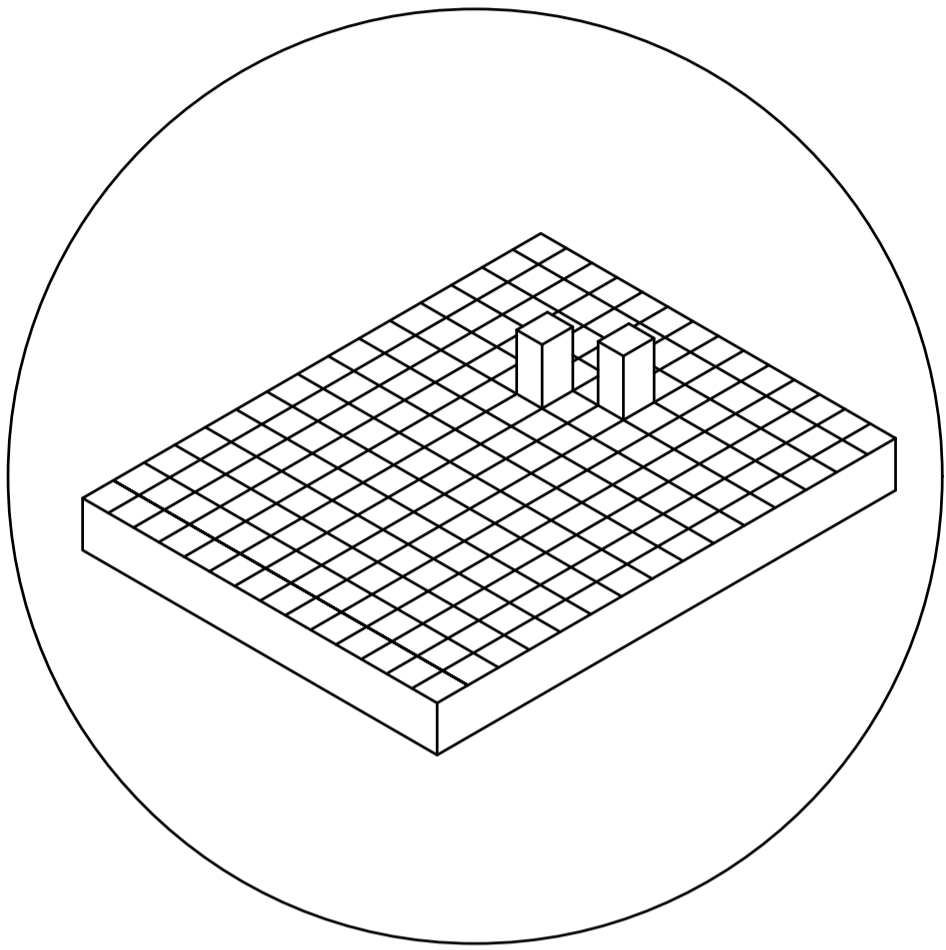
Step 44

21



x 1

Black pearl cotton can be molded into the desired shape by deducting small squares



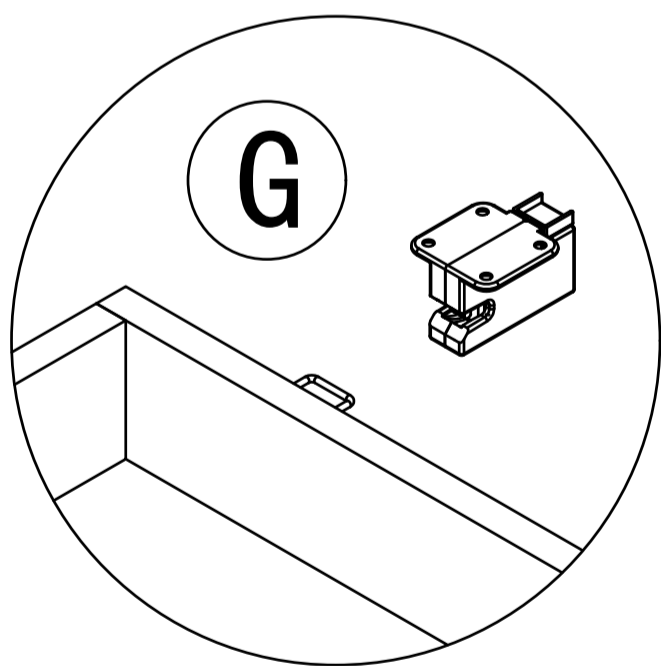
Step 45

G

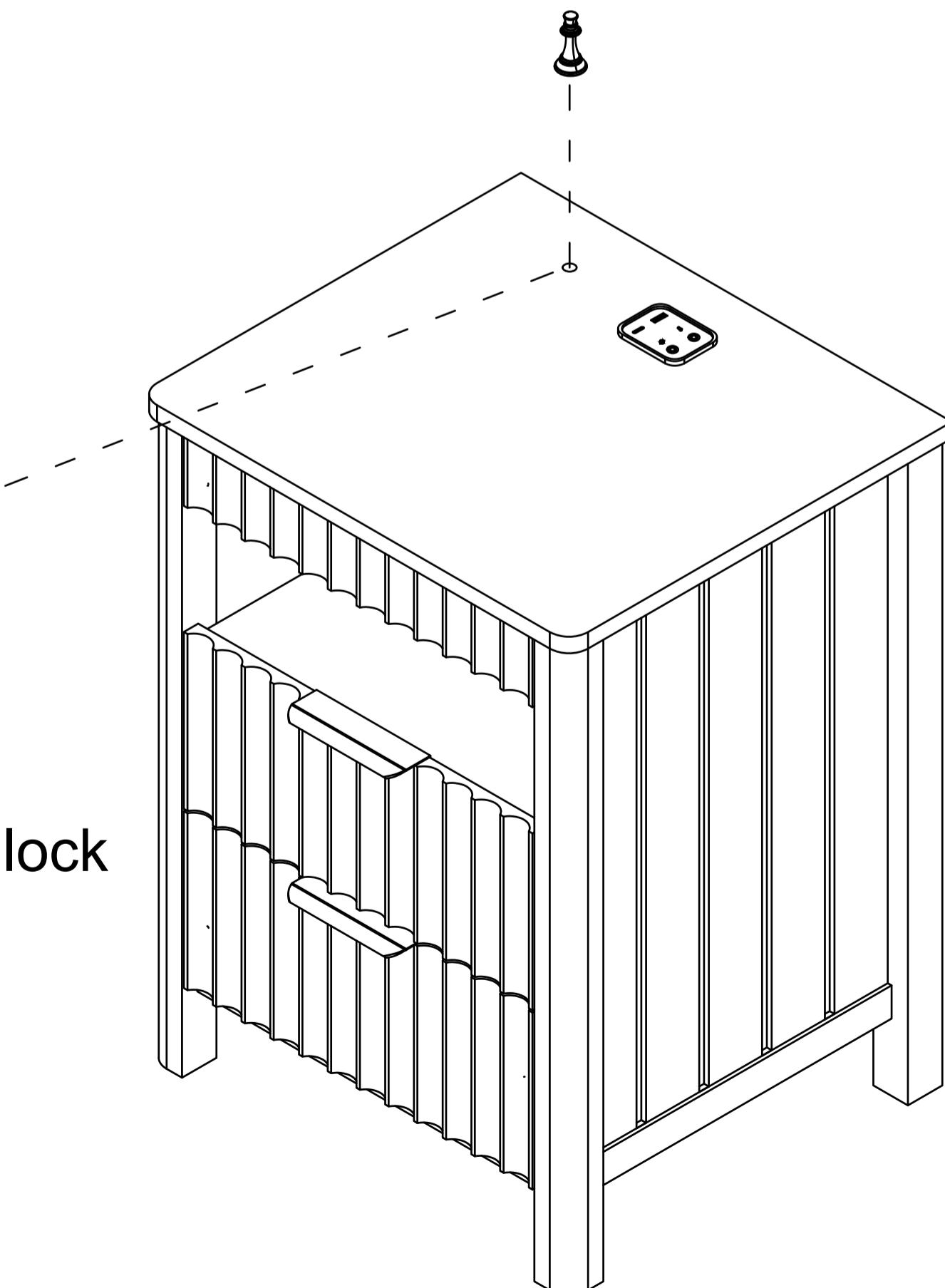


x 1

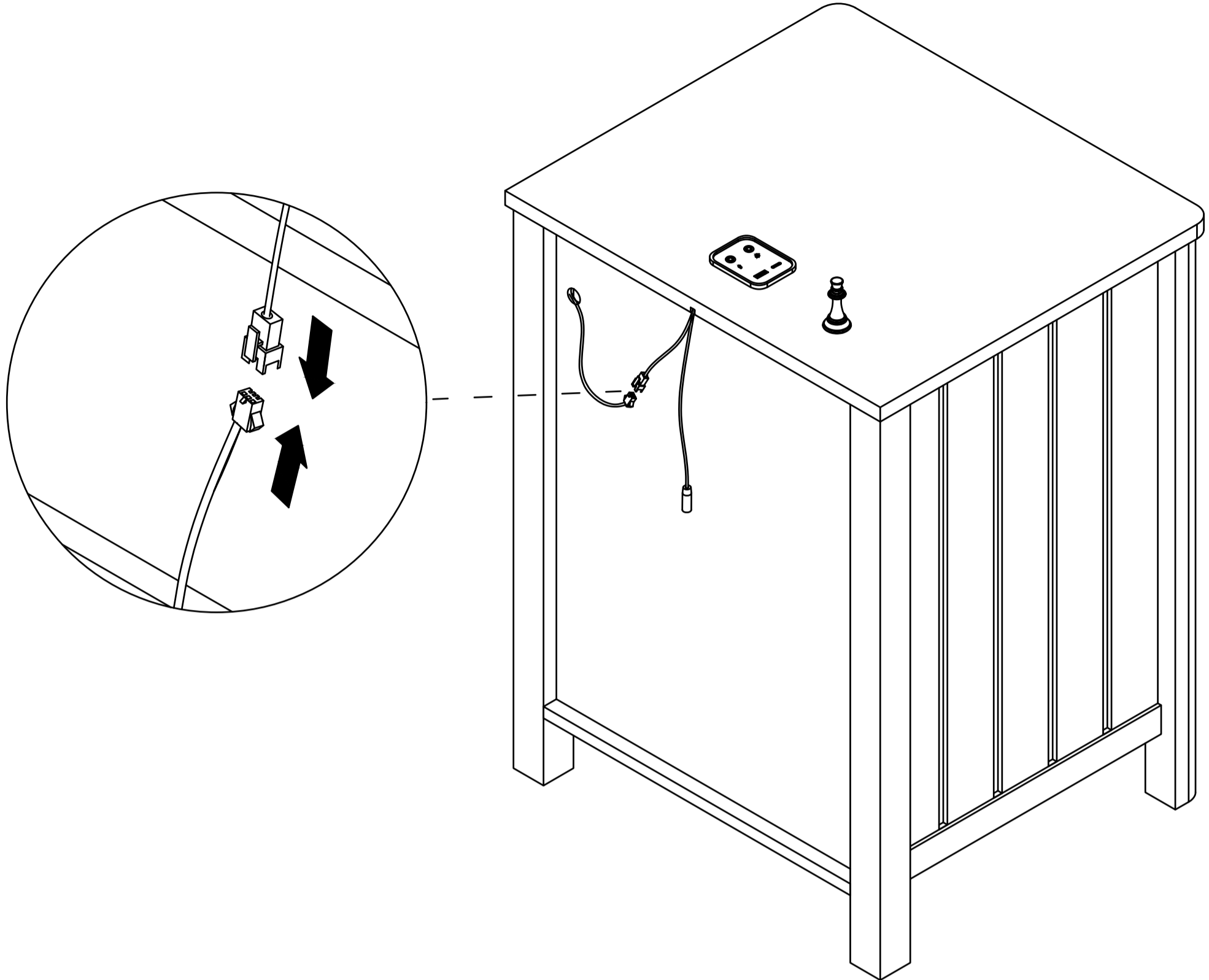
Open lock



Place the magnetic key above the hidden lock

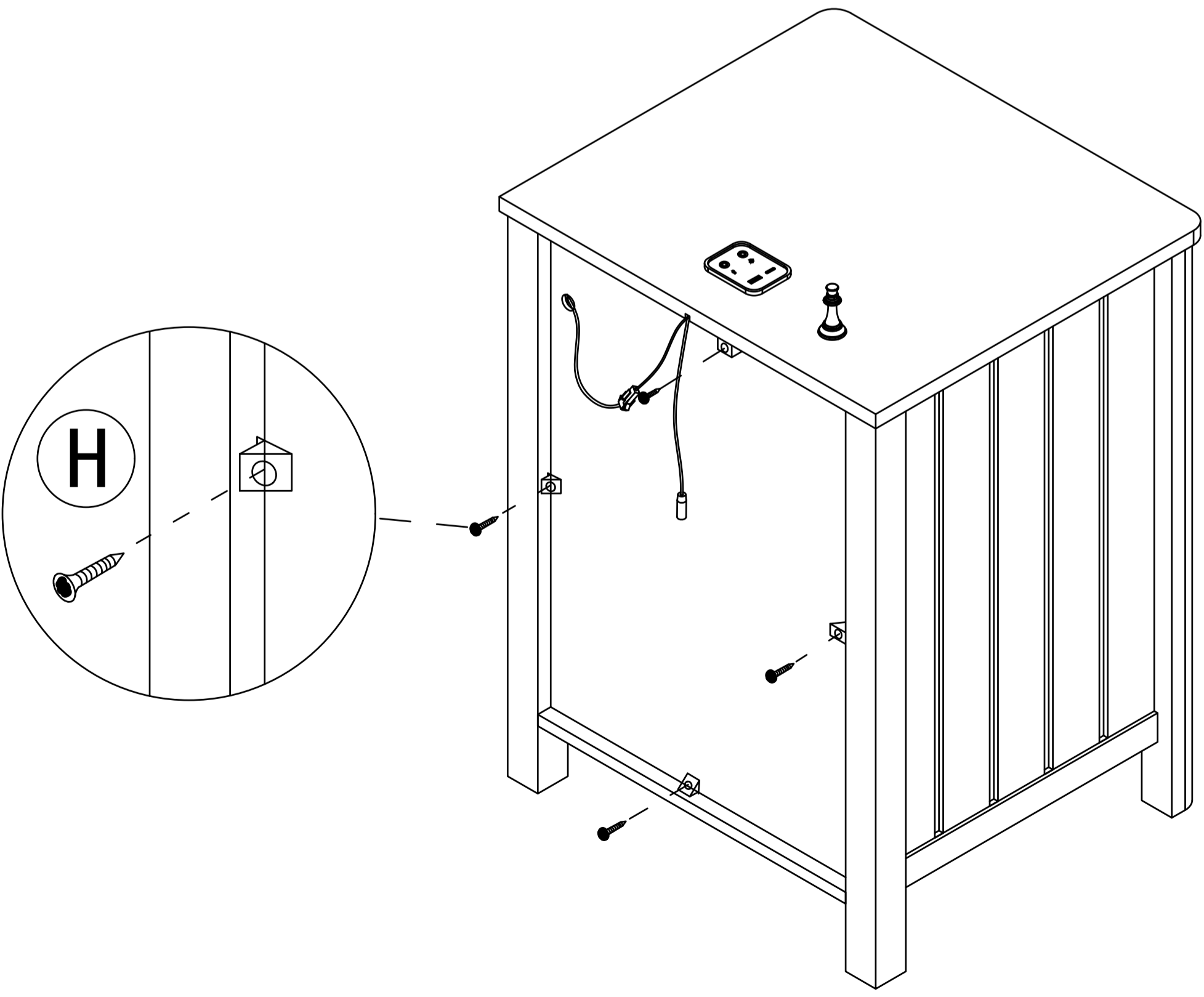


Step 46

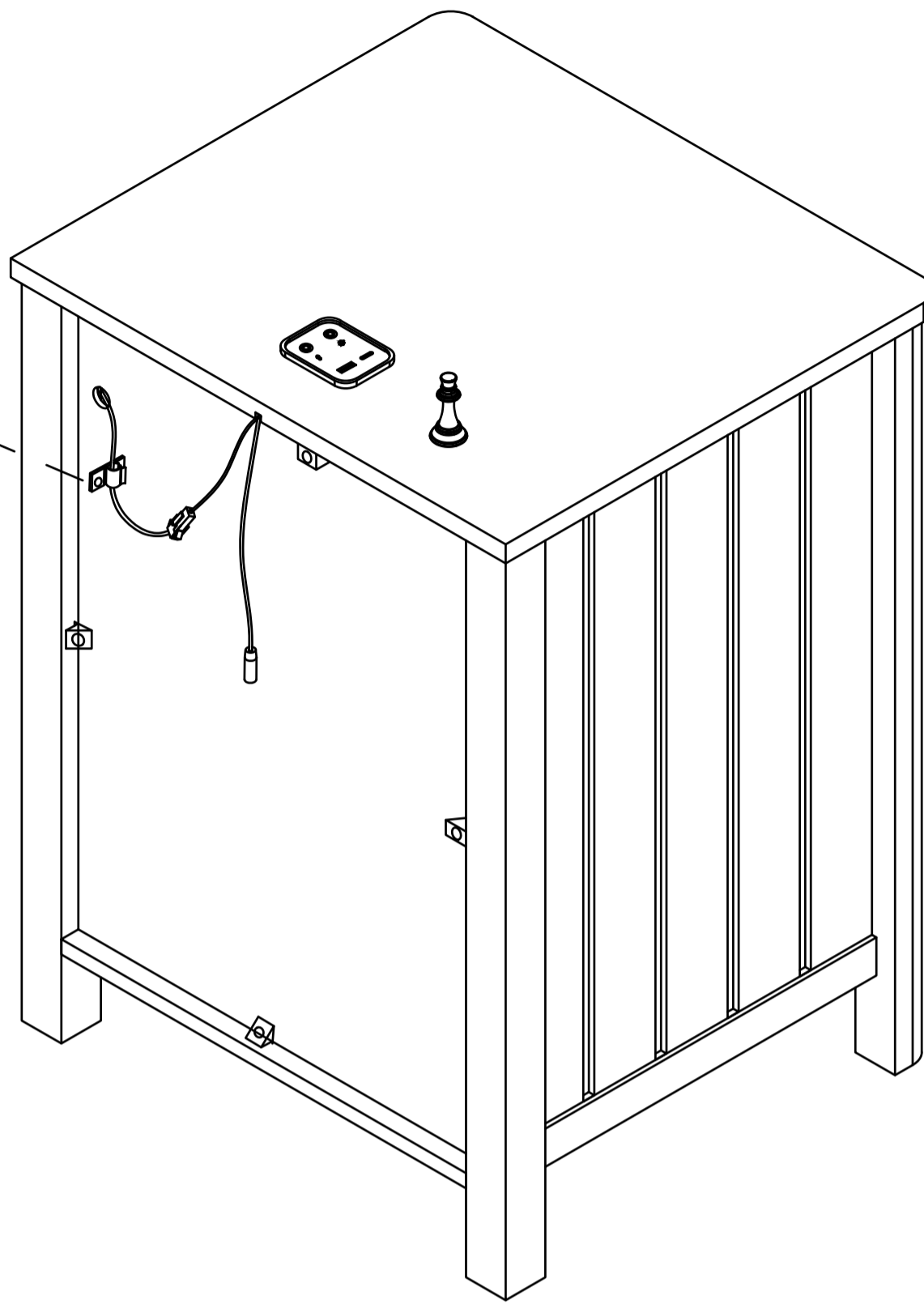
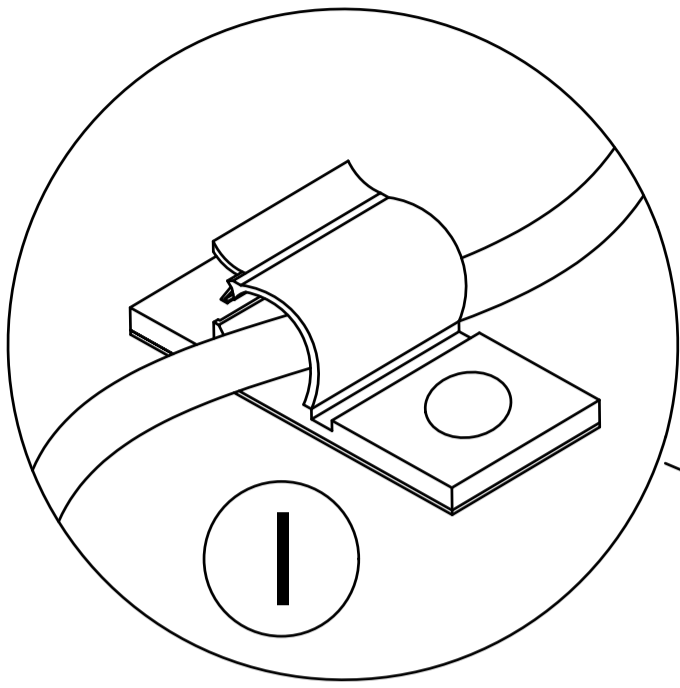
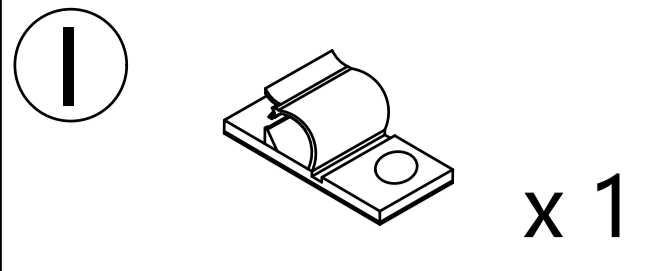


Step 47

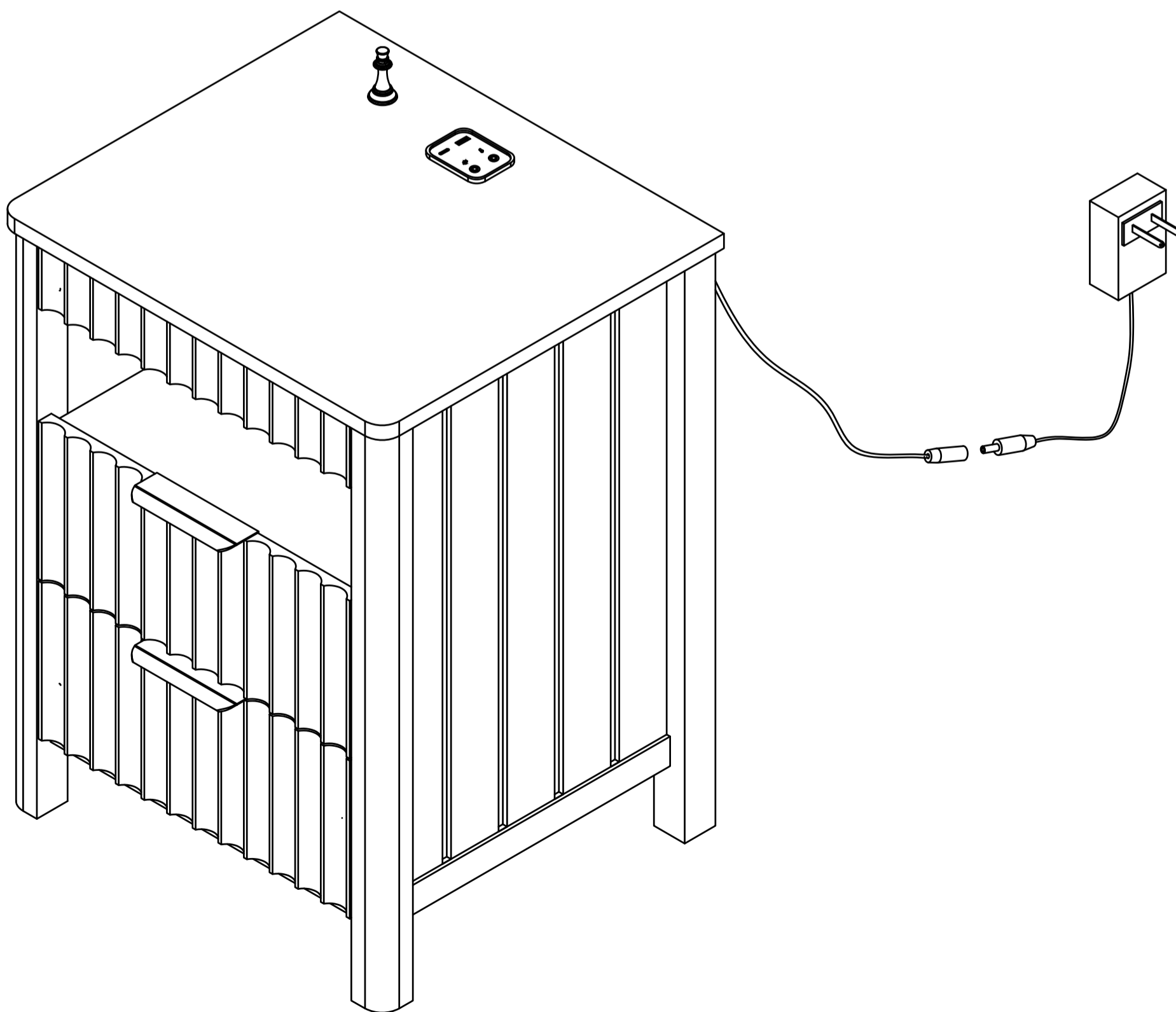
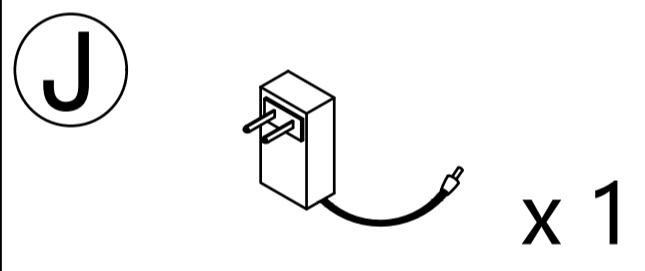
- (H)
- x 4
- x 4



Step 48



Step 49



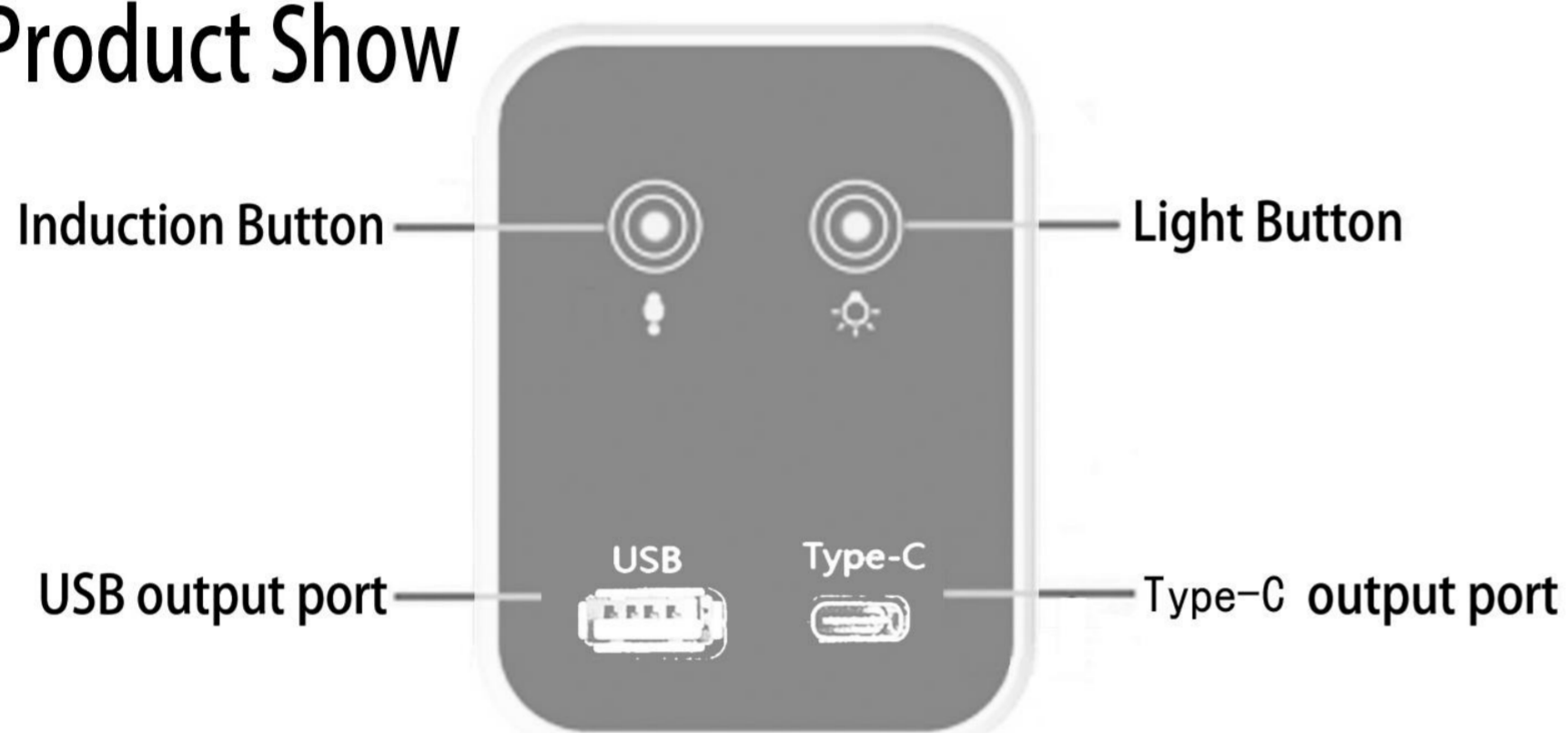
User's Guide

Thank you for purchasing this product. To use this product, please plug it into a 12V DC power supply. Please use if the product works normally after connecting to power.

Introduction

The box is an intelligent controller. It has 1 USB port and 1 type-C port and can distribute the current output up to 5V DC-2A. With 2 touch buttons, it can turn ON/OFF the light, change light colors, and adjust the light luminance.

Product Show



ATTENTION PLEASE

1. If there is no touch response suddenly, Re-plug the power to reset the touch static electricity.
2. If bubbles appear on the panel, remove the protective film.

Operation



This touch button is used to turn on/off, change colors, and adjust brightness.

A. Short touch -> lighting on -> short touch -> change light color -> short touch -> change light color -> short touch -> lighting off. B. Long touch -> adjust the luminance



This touch button is used to turn on/off the induction function.

A . Short touch to turn on the induction function. It can auto-turn on the light when people are close to the controller in 1 meters. It can auto power off the light when the body is far away from the controller after 30 seconds.

B . Long touch to turn off the induction function.

C . Note: When you touch the light button to change the light modes, the induction function will automatically turn off. It is best to turn on this function after selecting the light color and adjusting the brightness you want.