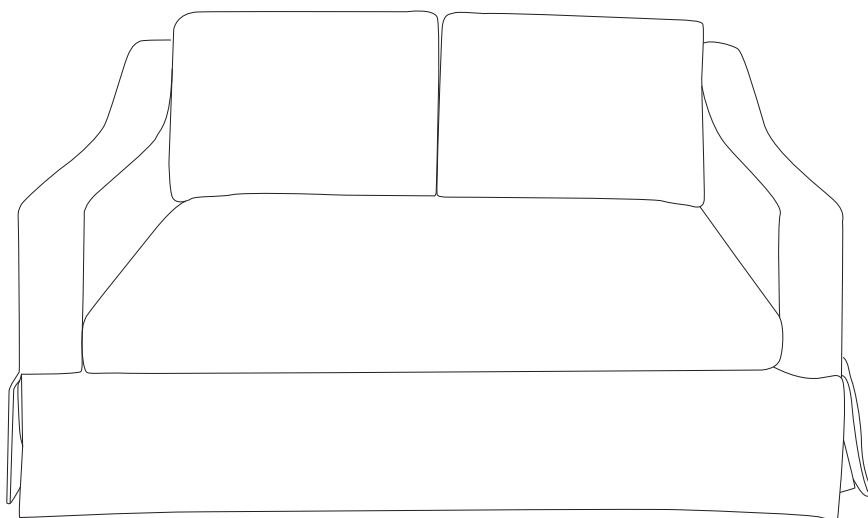


ASSEMBLY INSTRUCTIONS

520 Loveseat Sofa



TIME



2 OF PEOPLE



DIFFICULTY

NOTICE

Instruction Booklet - Important Safety Information

Thank you for choosing our product. Please review this booklet carefully for essential safety information and keep it for future reference.

- Upon receiving the product, ***ensure all parts are present and intact*** before proceeding with installation. Follow the entire installation instructions provided.
- During installation, exercise caution and refrain from immediately tightening screws. Secure all screws to 80% before final tightening.

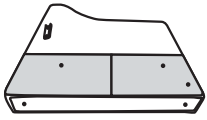
Returns are accepted only for items in their ***original, unopened condition***.



Before installation, please check that the parts are all included !

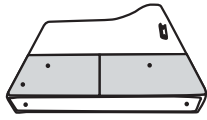
Carton A

Materials ▶ Tips: Left and right directions are determined when seated on the sofa.



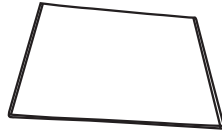
Left Armrest

L*1



Right Armrest

R*1



Seat Frame

A*1



Backrest Frame

B*1



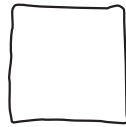
Front Panel

C*1



Seat Cushion

D*1



Back Pillow

E*2



Legs

F*4



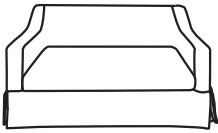
Washers

G*4



Reinforcement Plate

H*2



Sofa Cover

I*1



M8*50mm

①*4



M6X35mm

②*4



M6X16mm

③*4



④*6



⑤*4

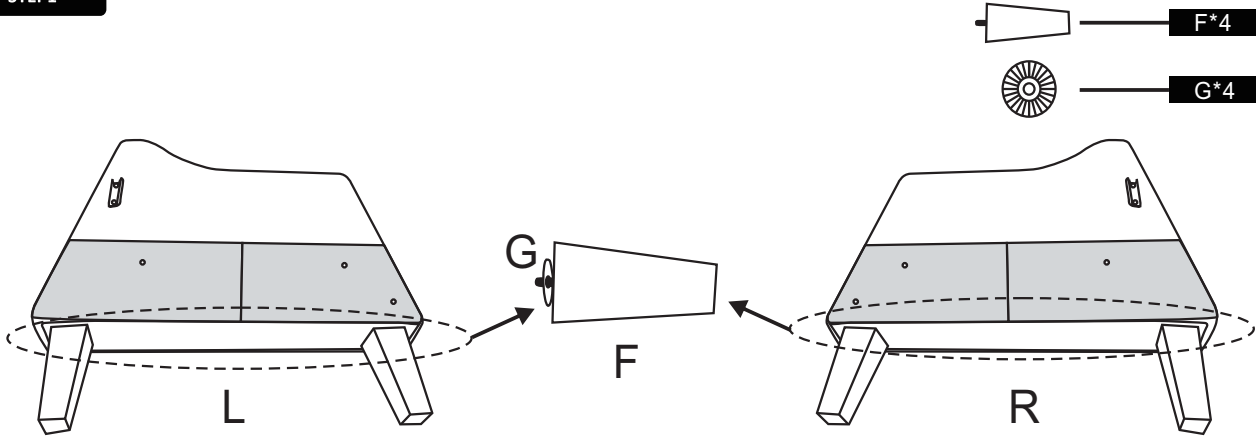


⑥*1

Hardware Box

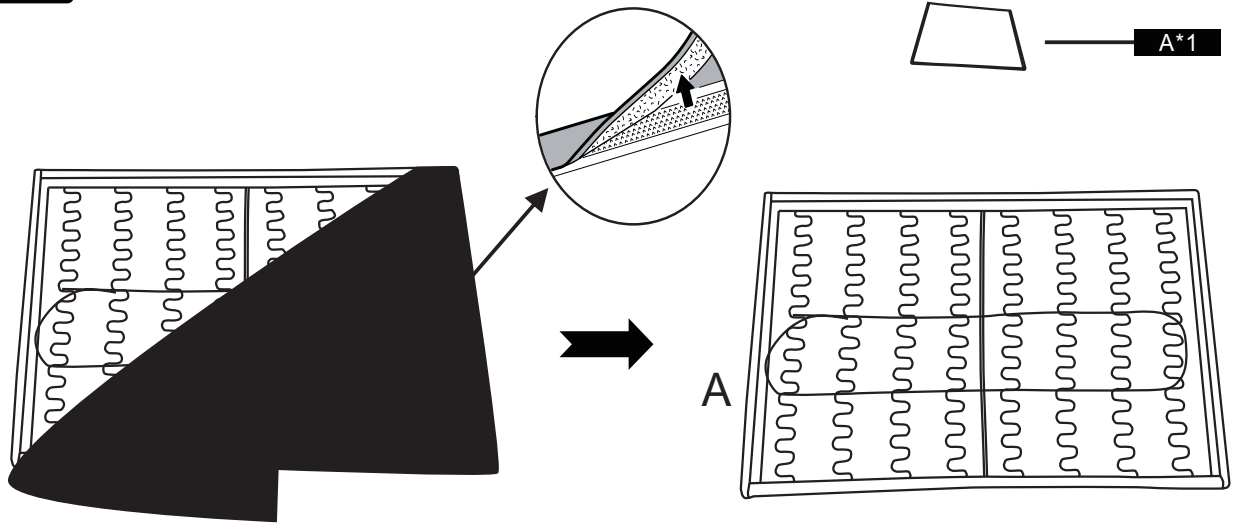
Installation Steps

STEP1



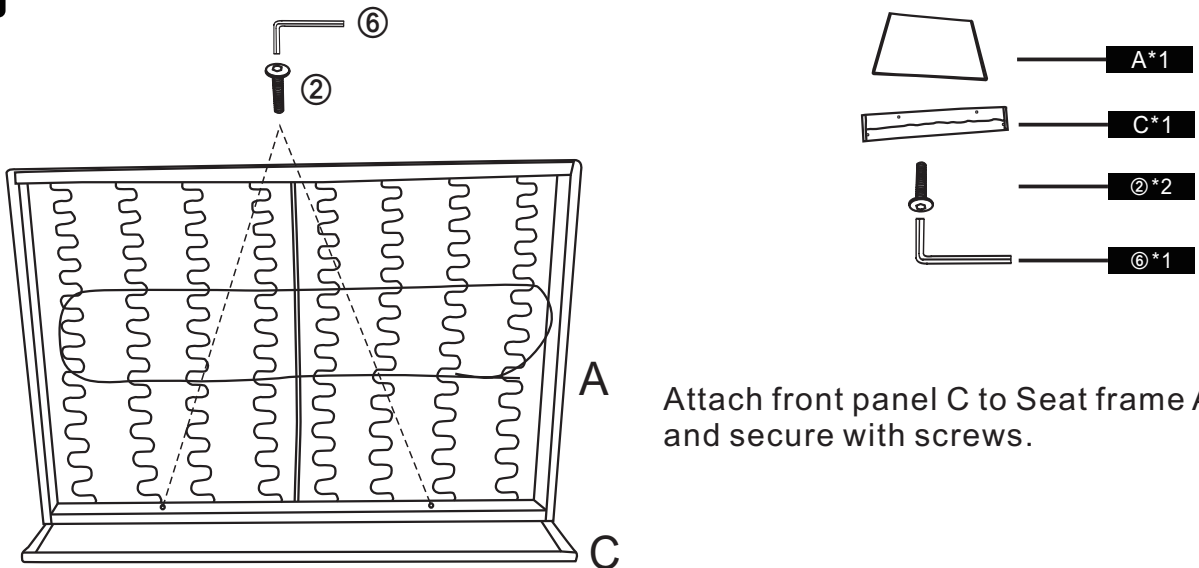
Attach the sofa feet (F) to the bottom of the armrests(L&R).

STEP2



Tear off the Spunbond non-woven from the Seat frame A.

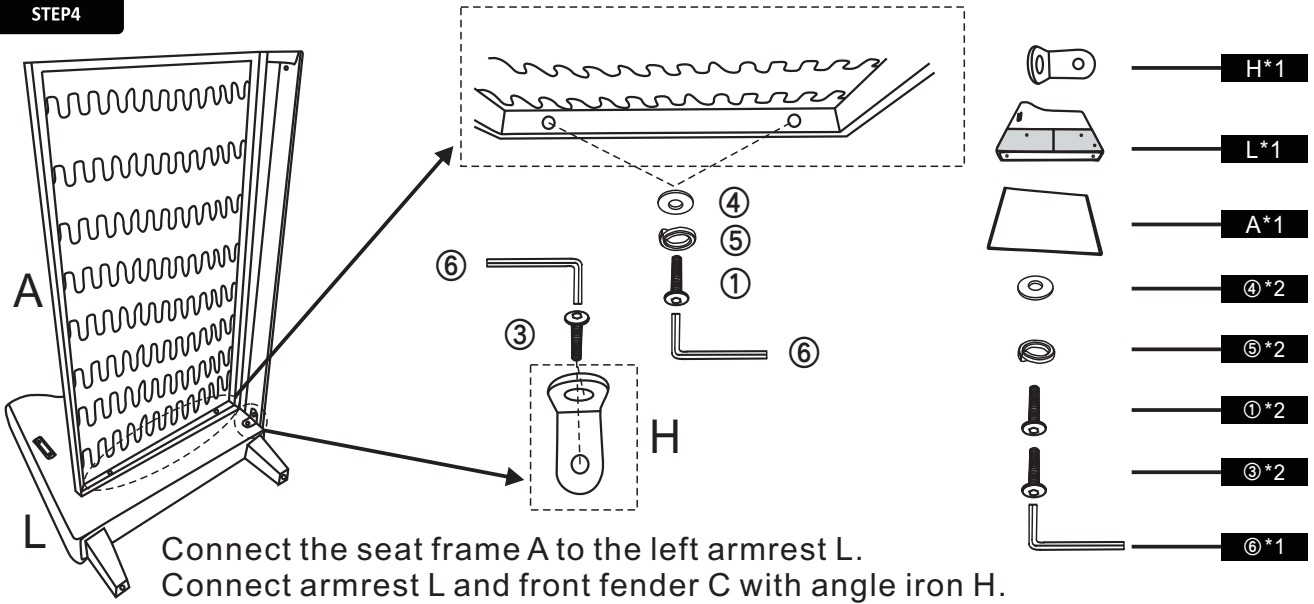
STEP3



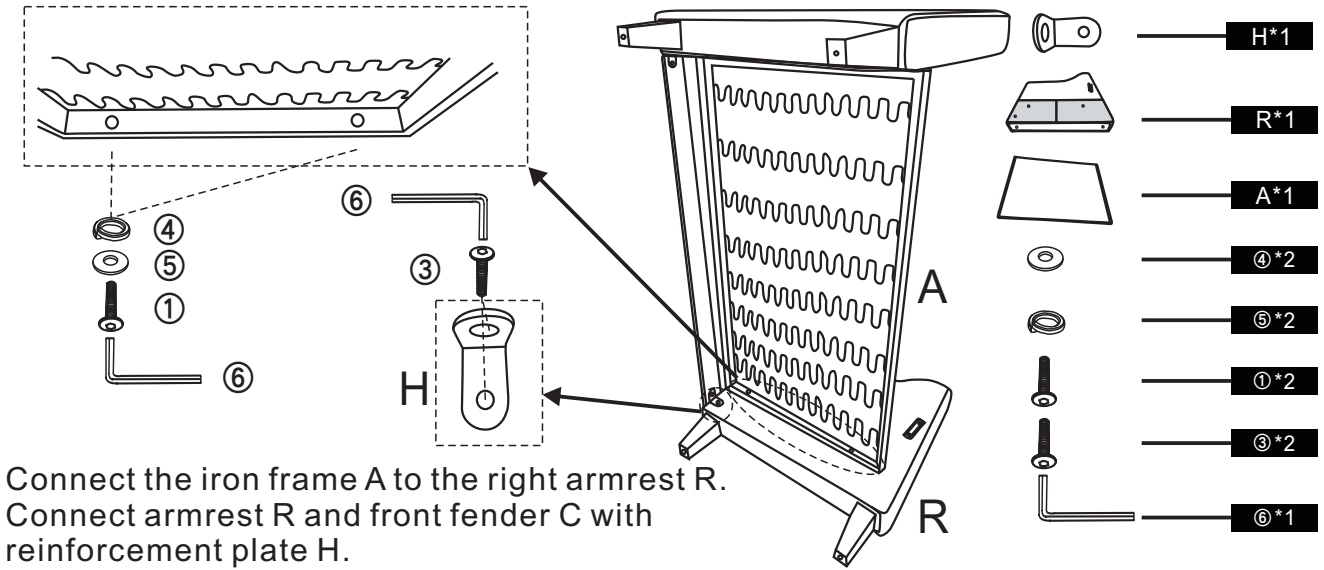
Attach front panel C to Seat frame A and secure with screws.

Installation Steps

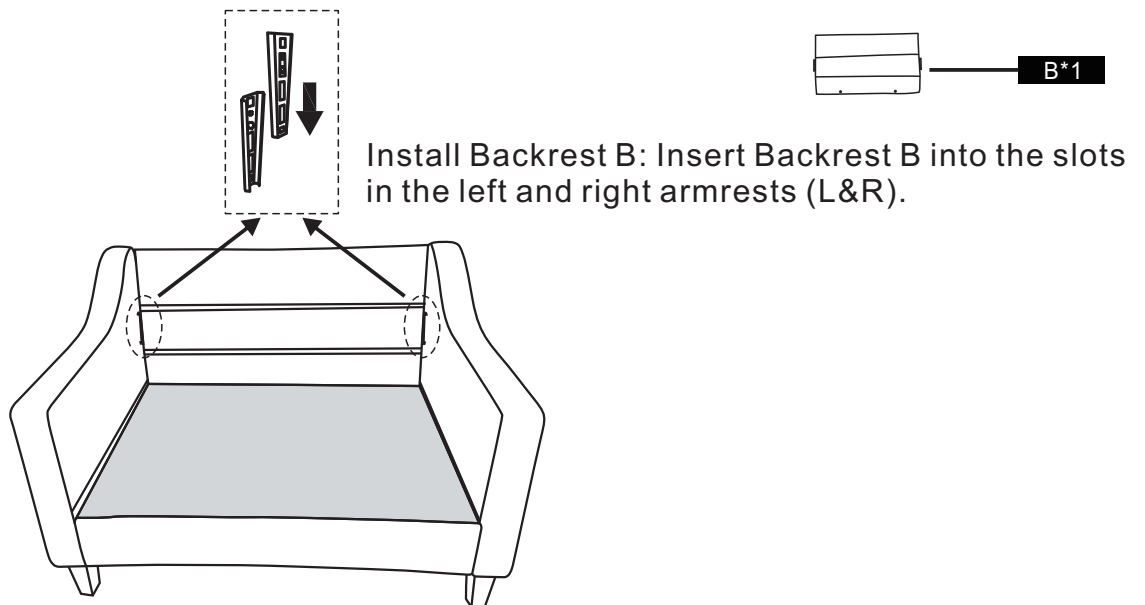
STEP4



STEP5

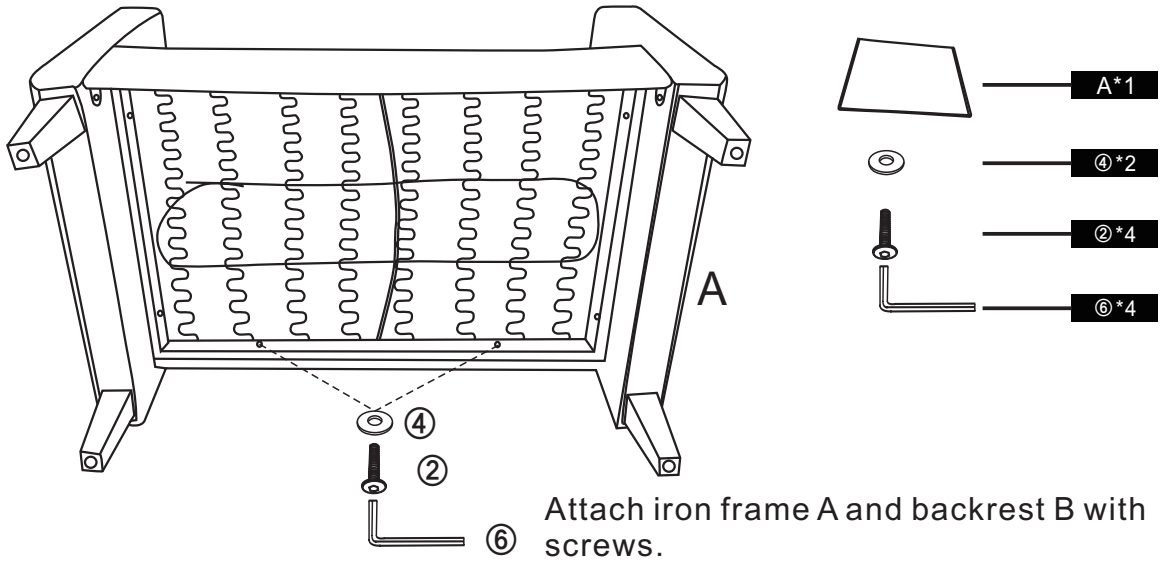


STEP6

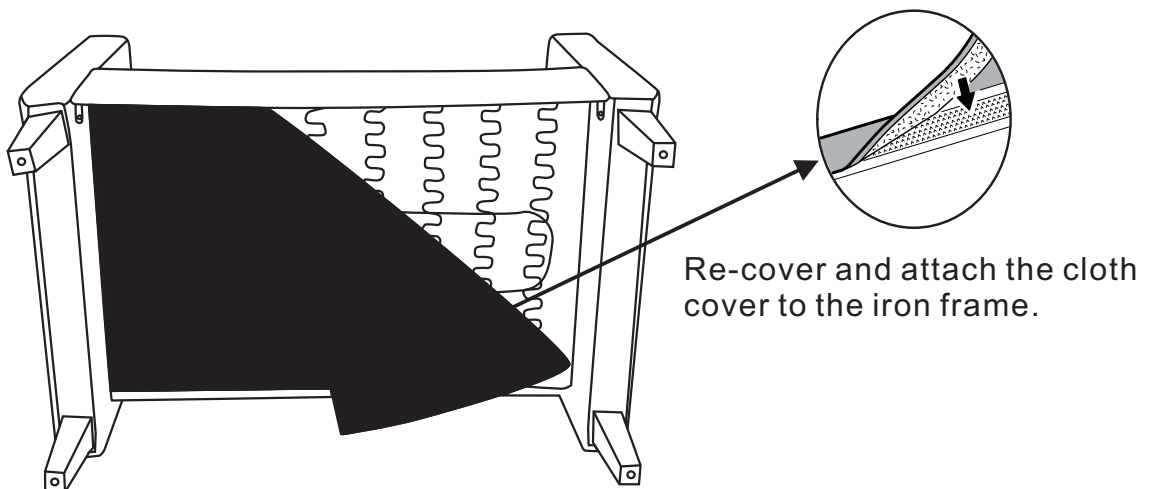


Installation Steps

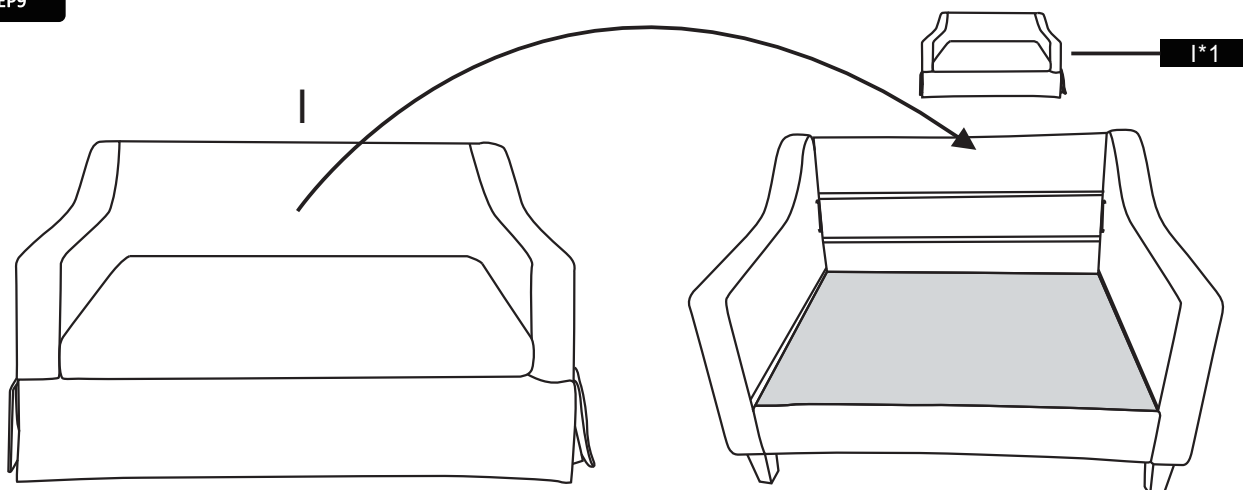
STEP 7



STEP 8



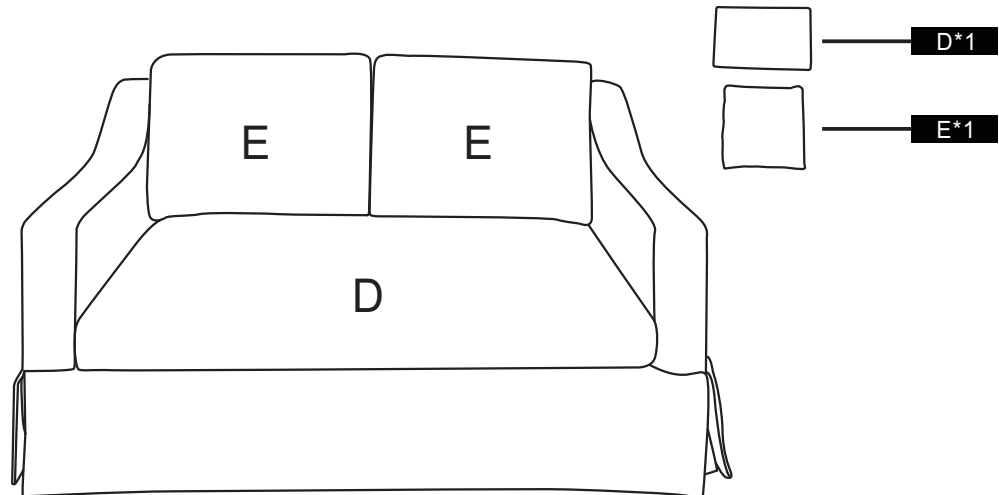
STEP 9



Place the sofa cover I over the installed sofa frame from top to bottom.

Installation Steps

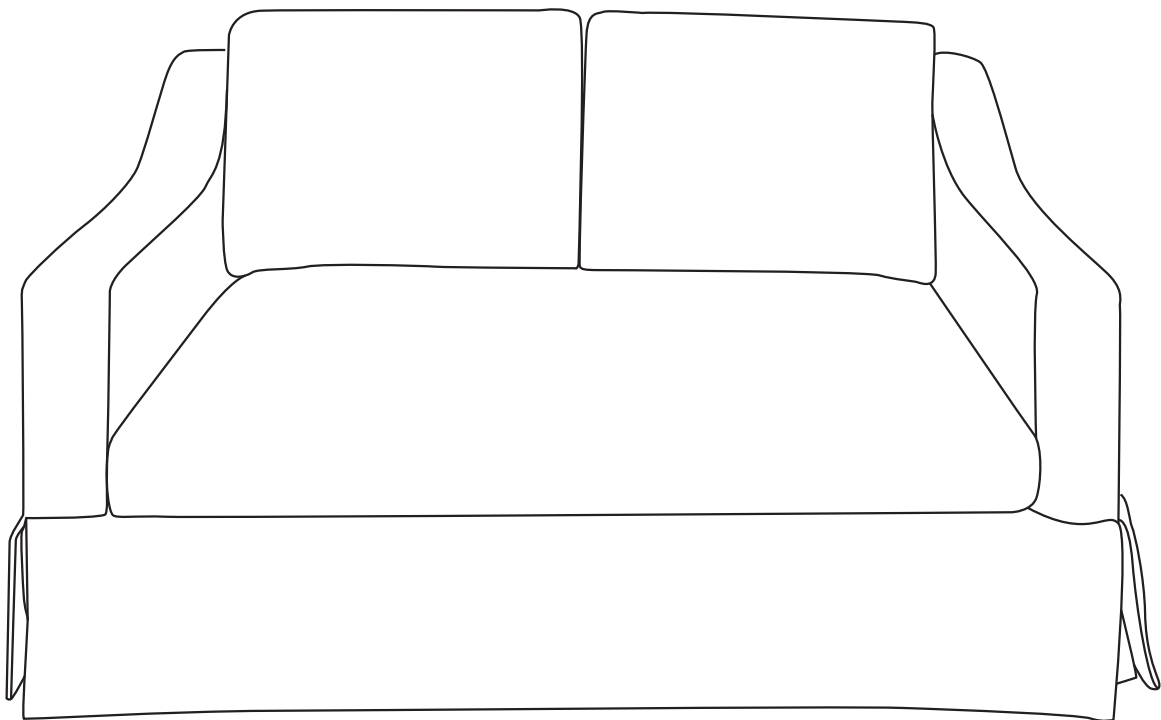
STEP10



Place the cushion D, back pillow E, in the corresponding position, the installation is completed.

STEP11

Tips: As the cushions are all vacuum compressed for better shipment, there will be some wrinkles. Please give your cushions up to 72 hours to reach their original size and the wrinkles will basically disappear.



Frequently Asked Questions

We understand that receiving damaged or defective products can be disappointing, and we're here to assist you every step of the way. Here's how to address common concerns and initiate a damage claim:

1.What should I do if my shipment is damaged or products received are defective?

We're genuinely sorry to hear about any inconvenience caused. Please reach out to us promptly, and our team will prioritize resolving the matter swiftly and effectively, please retain the original box in case a return is required.

2.Can I return the product if I'm not satisfied?

While we uphold stringent quality standards and collaborate with experienced manufacturers, we acknowledge that dissatisfaction may arise. If you're still unsatisfied, of receiving the product. Simply message us with your reasons for return, and we'll facilitate the process.