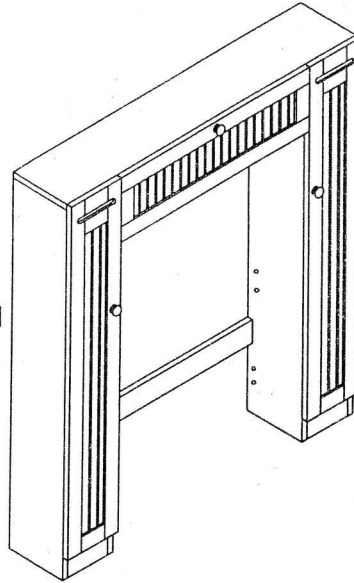



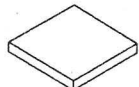

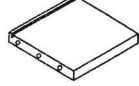
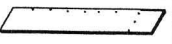
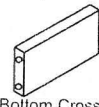
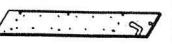


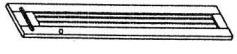
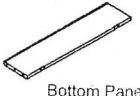
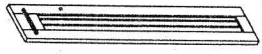
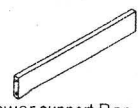
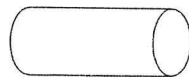
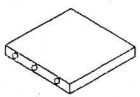

# Assembly Instruction

## Bathroom Space Saver

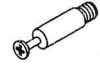





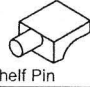
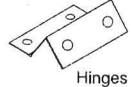

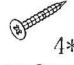
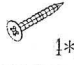
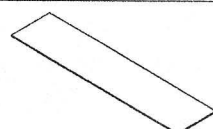


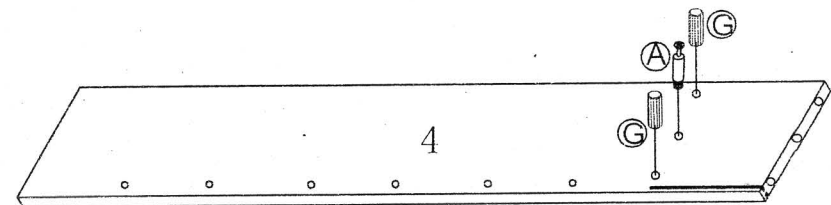
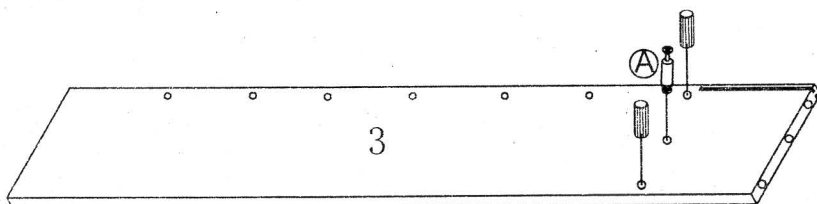
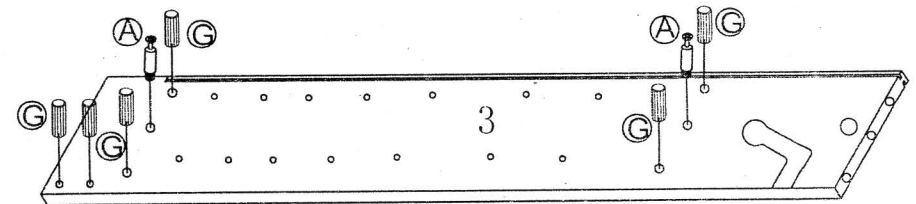
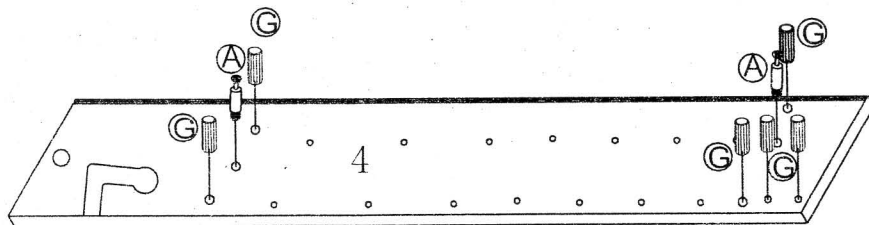
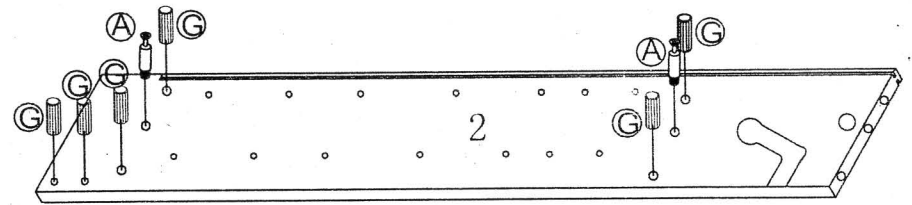
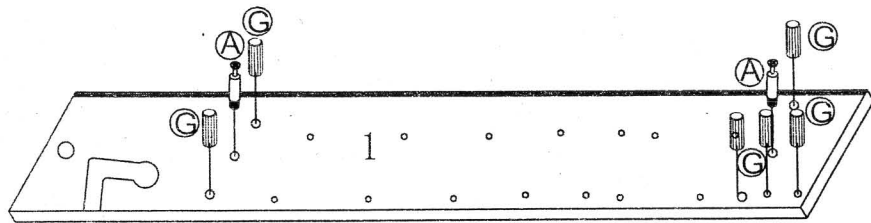
Notes: Assembly easier with two people.  
 Tools Required – Phillips screwdriver, small Phillips screwdriver

### PARTS LIST

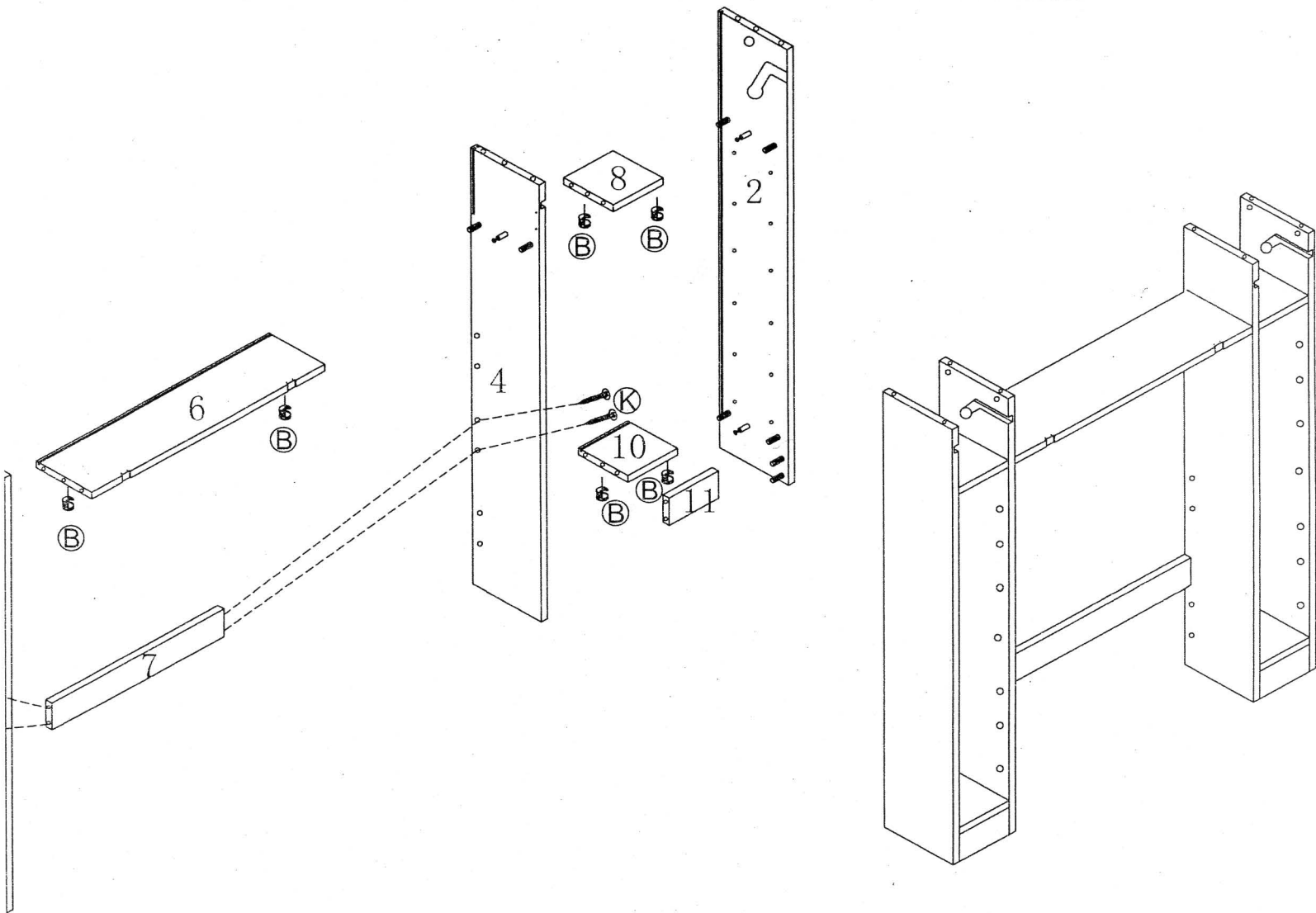
ITEM	PART PICTURE	QTY	ITEM	PART PICTURE	QTY
1	 Left Side Panel Of Left Storage	1	9	 Ajustable Shelf	4
2	 Right Side Panel Of Right Storage	1	10	 Bottom Shelf	2
3	 Right Side Panel Of Left Storage	1	11	 Bottom Cross Bar	2
4	 left Side Panel Of Right Storage	1	12	 Upper Door Panel	1
5	 Top Panel	1	13	 Right Door Panel	1
6	 Bottom Panel	1	14	 Left Door Panel	1
7	 Lower support Bar	1	15	 Paper Holder	2
8	 Upper Shelf	2	16	 Upper Door Back Panel	1

### HARDWARES LIST

ITEM	PART PICTURE	QTY	ITEM	PART PICTURE	QTY
A	 Camlock Bolt	14	G	 Wood Dowel 6*30mm.	36
B	 Camlock	14	H	 Screw	28
C	 Screw 3*10mm	28	I	 Hinges	1
D	 Shelf Pin	16	J	 Hinges	6
E	 Wooden Knob	3	K	 Long Screw 4*35mm	4
F	 Long Screw 4*25mm	3			
17	 Back Panel	2			



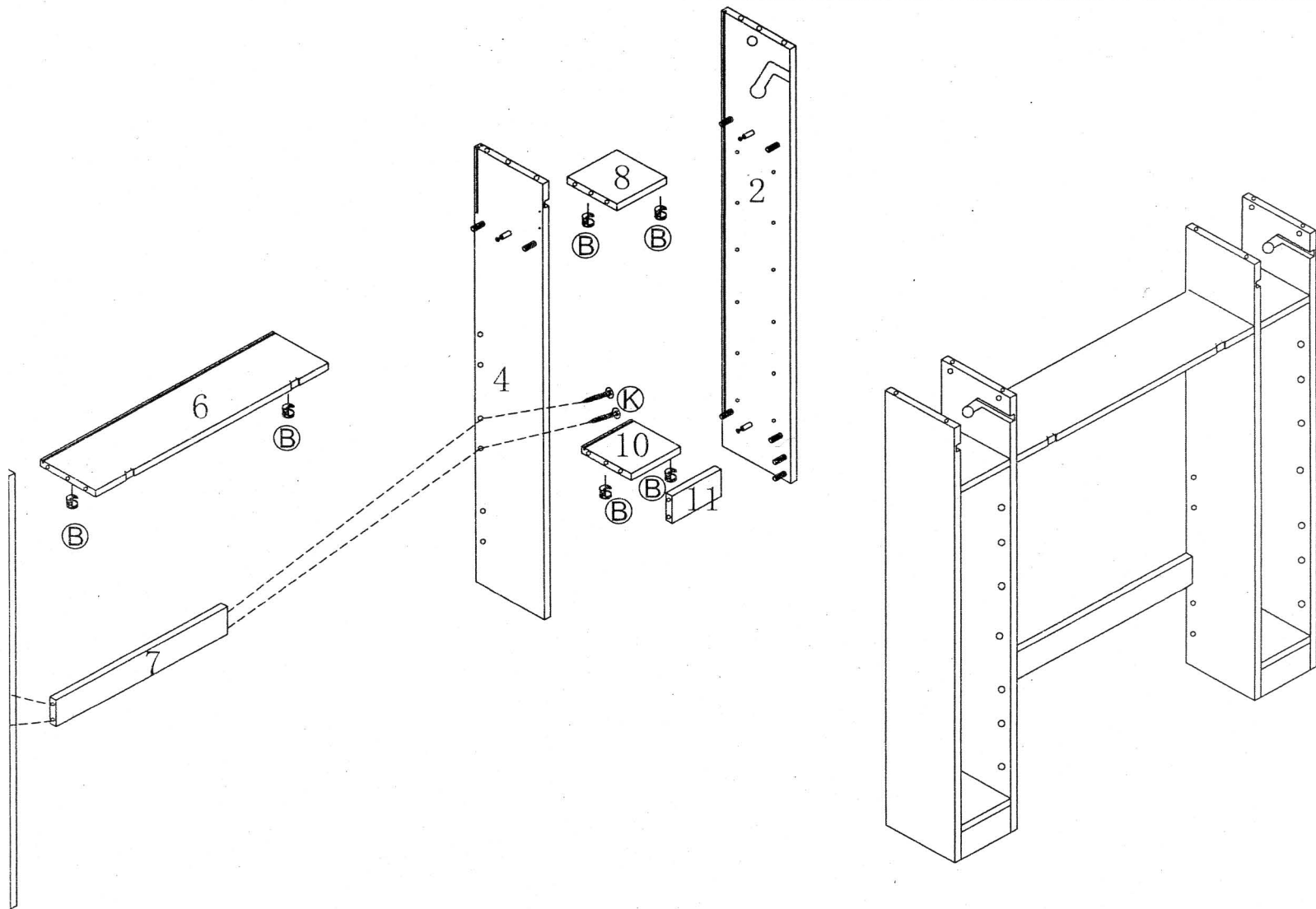
STEP 1



Notes: Assemble both left side (1/3) and right side (2/4) before attaching bottom shelf(9)

Measure the clearance for the lower support bar (7) before assembling .

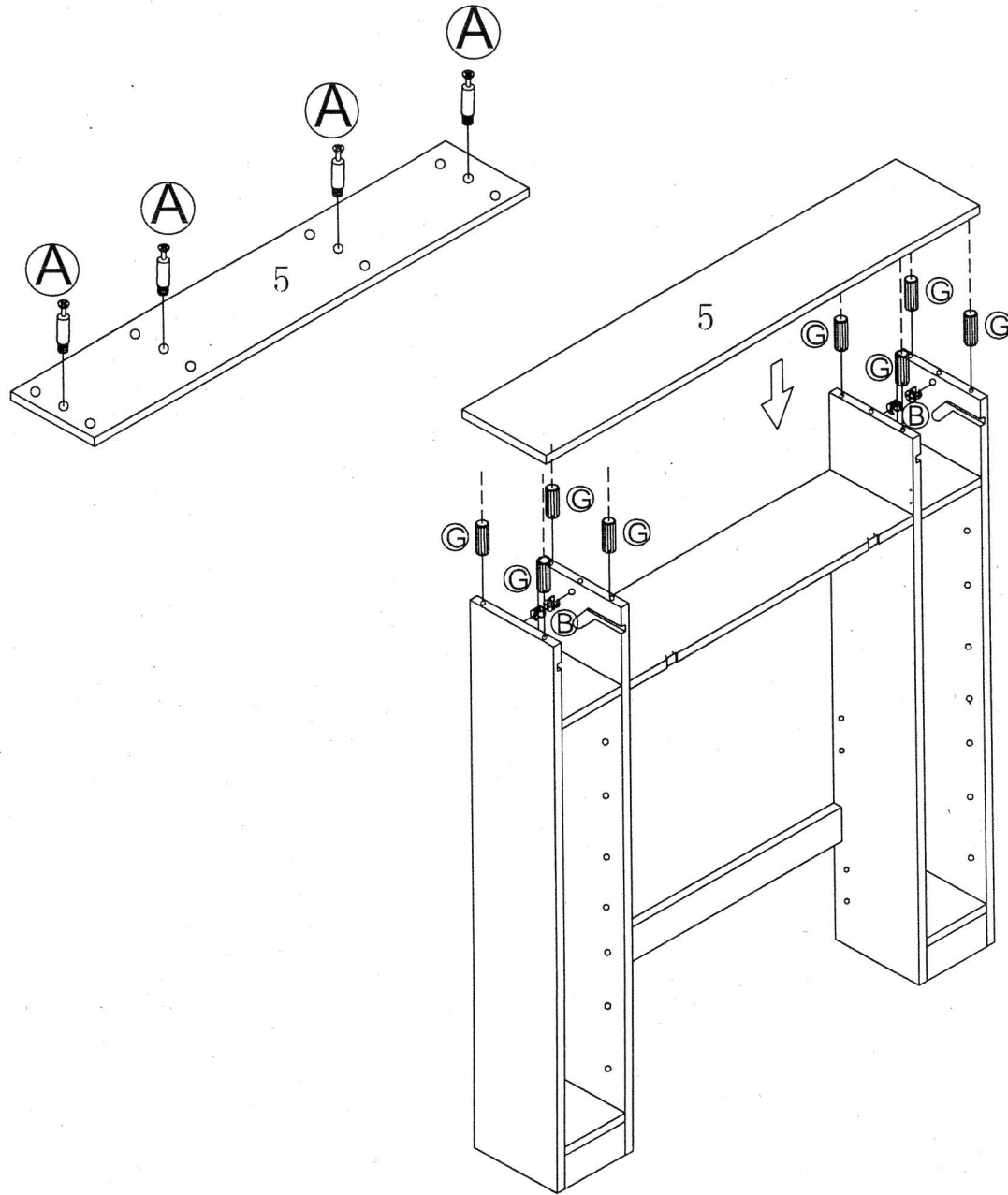
## STEP2



Notes: Assemble both left side (1/3) and right side (2/4) before attaching bottom shelf(9)

Measure the clearance for the lower support bar (7) before assembling .

## STEP2



STEP 3