

HAPPINESS INSTALLATION



CAUTION
parts are placed at the bottom of the product

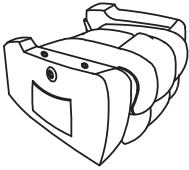
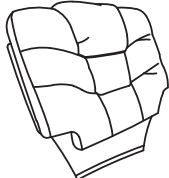


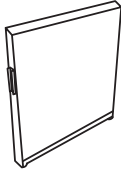


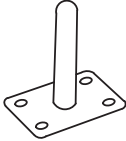




Assembly Instructions

CAUTION

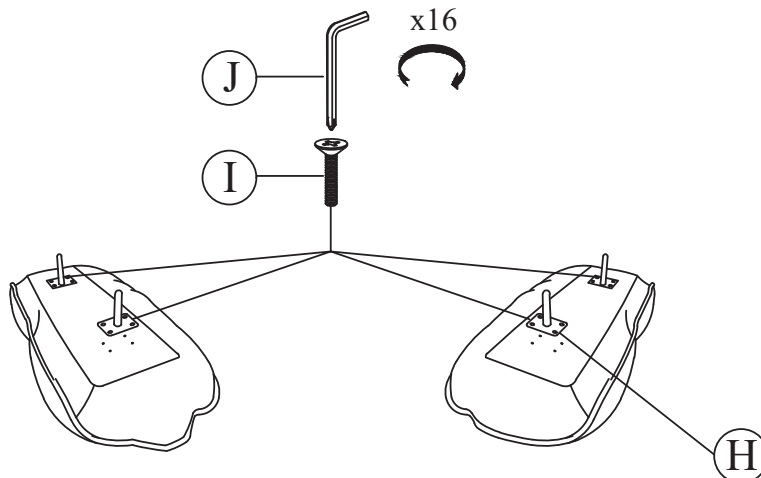
Your recliner comes packaged in one box. Carefully remove all components from the packaging and set aside for assembly.

DO NOT use any sharp objects to open plastic wrapped components as this may result damage to product or components .

Package Contents

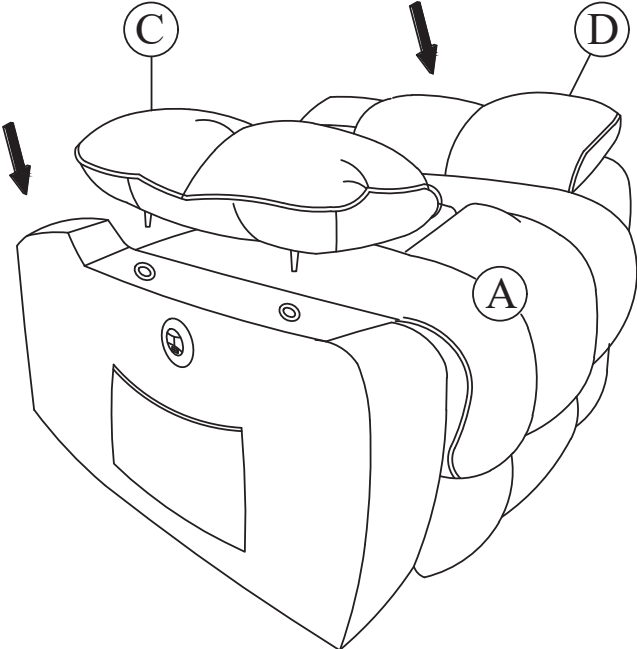
			
A Chair Seat (x1)	B Backrest Cover (x1)	C Pillow Arm Left (x1)	D Pillow Arm Right (x1)
			
E Back Frame (x1)	F Left Wing (x1)	G Right Wing (x1)	H Hand linkage (x4)
			
I Flat Head Bolt (x16)	J Allen key (x1)	K Power source (x1)	L Remote massage (x1)

STEP 1: Install hand linkage (H) to pillow arm (C / D) with flat head bolt (I) and allen key (J)

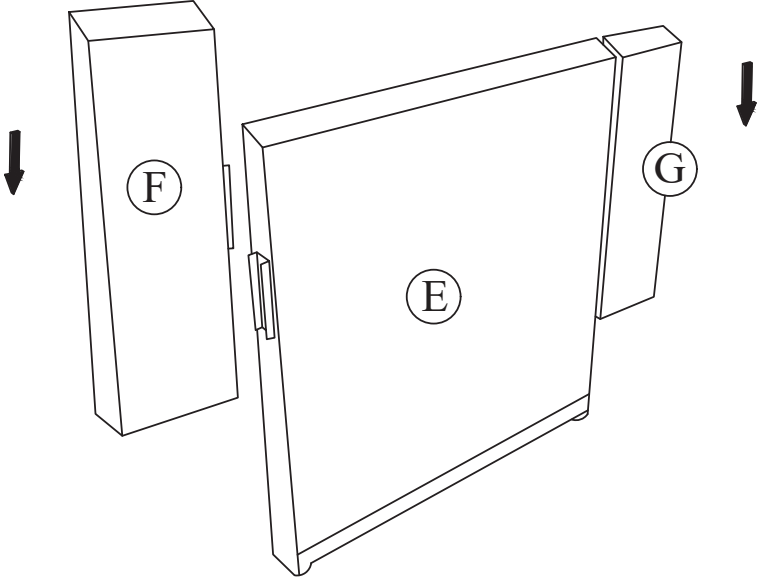


STEP 2: Install two armrest pillows (C) and (D) on Chair Seat (A). There is a sticker (C / D) on both sides, above and below the pillow armrest.

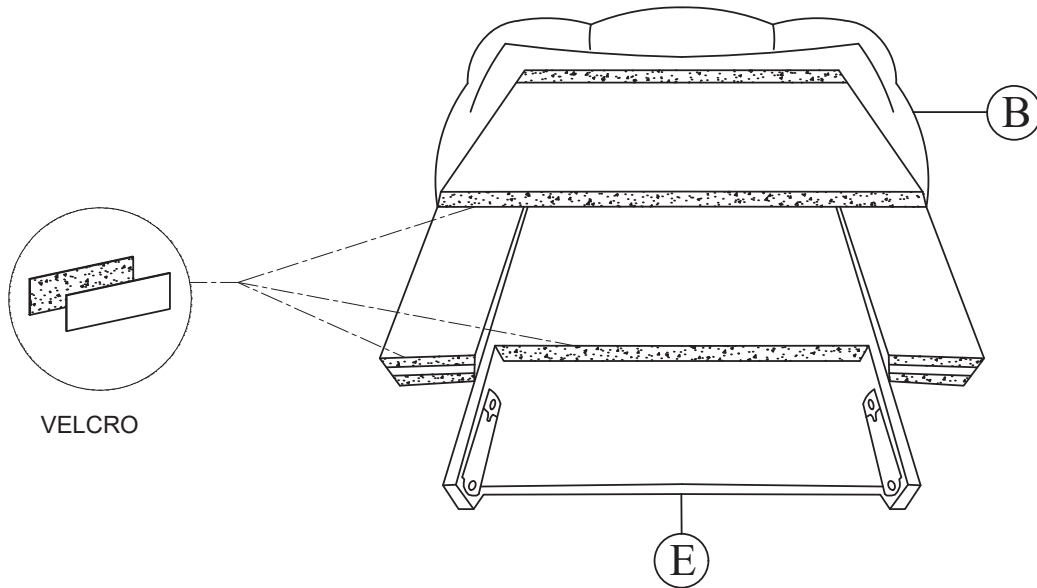
Align and assemble the side marked with the arrow label to its corresponding position



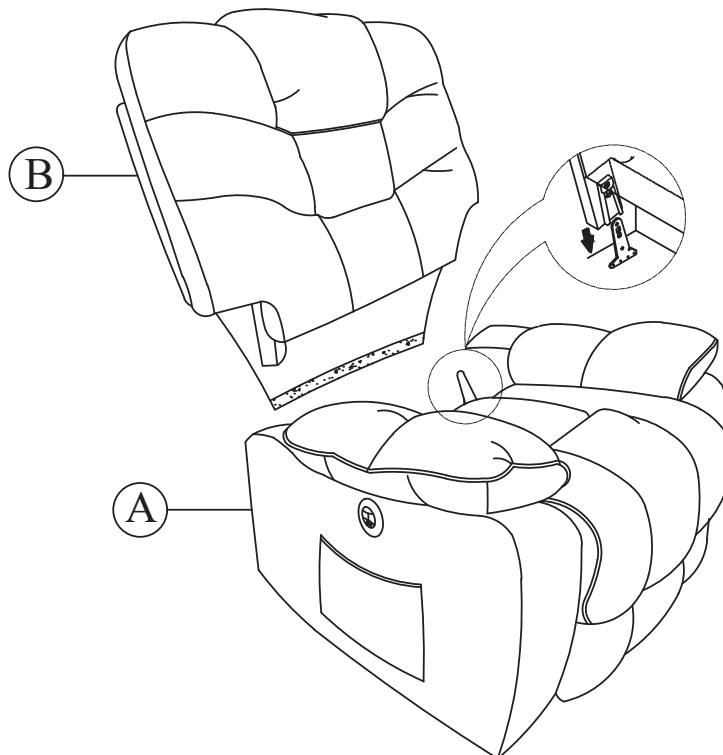
STEP 3: Attach the left wing (F), right wing (G) to Chair Back frame (E) by aligning the metal grooves.



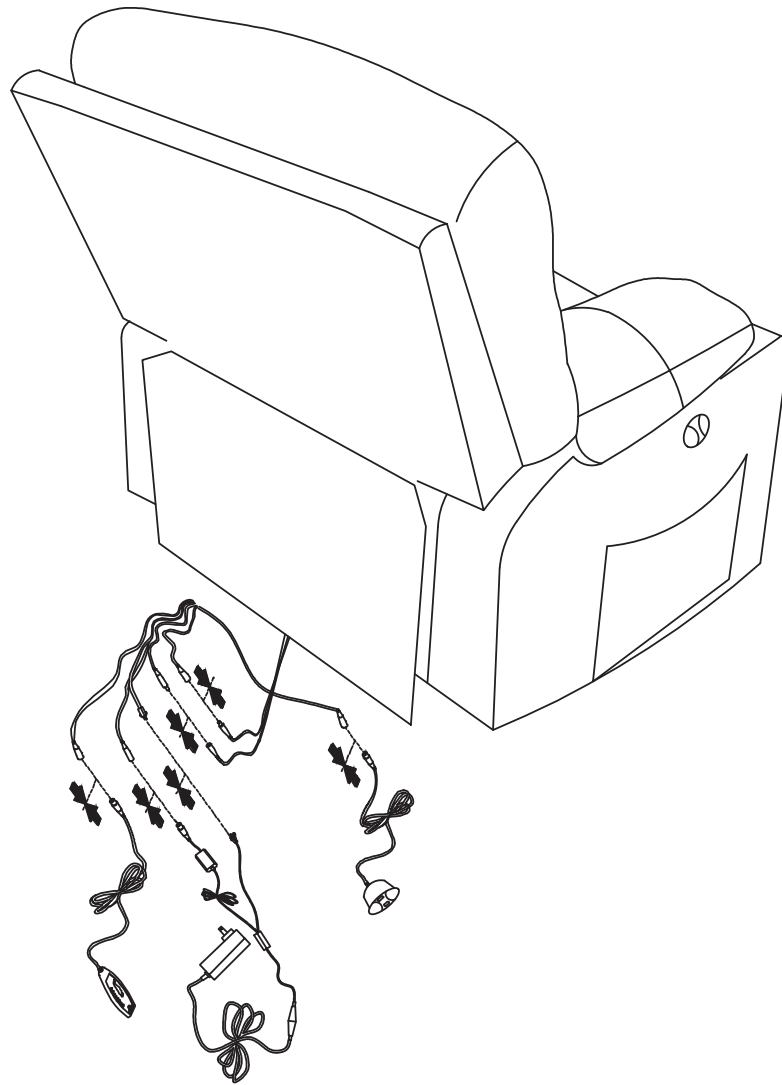
STEP 4: Insert the assembled back frame (E + F + G) into the backrest cover (B).
Attach the Velcro straps



STEP 5: Attach Chair Back (B) to Chair Seat (A) by aligning the metal grooves on Chair Seat (A) and Chair Back (B). Ensure the Chair Back (B) slides down to the bottom of the Chair Seat (A)'s metal grooves.



STEP 6: Connect the plug line to the switching power line: white to white, red to red.

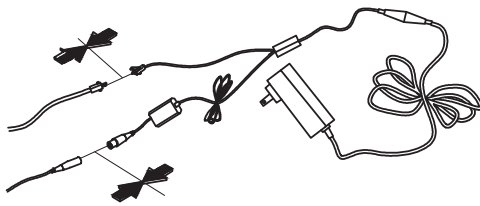


Red to Red

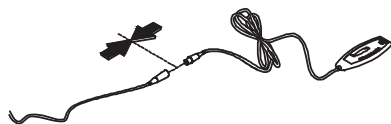


White to White

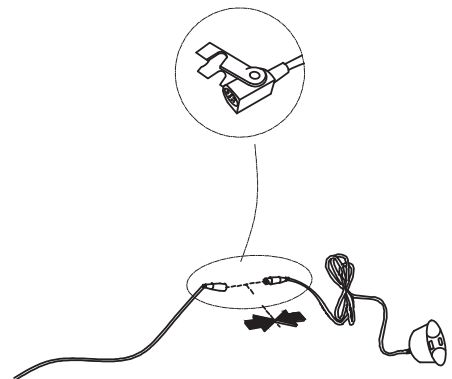
The connector has one corner that is square

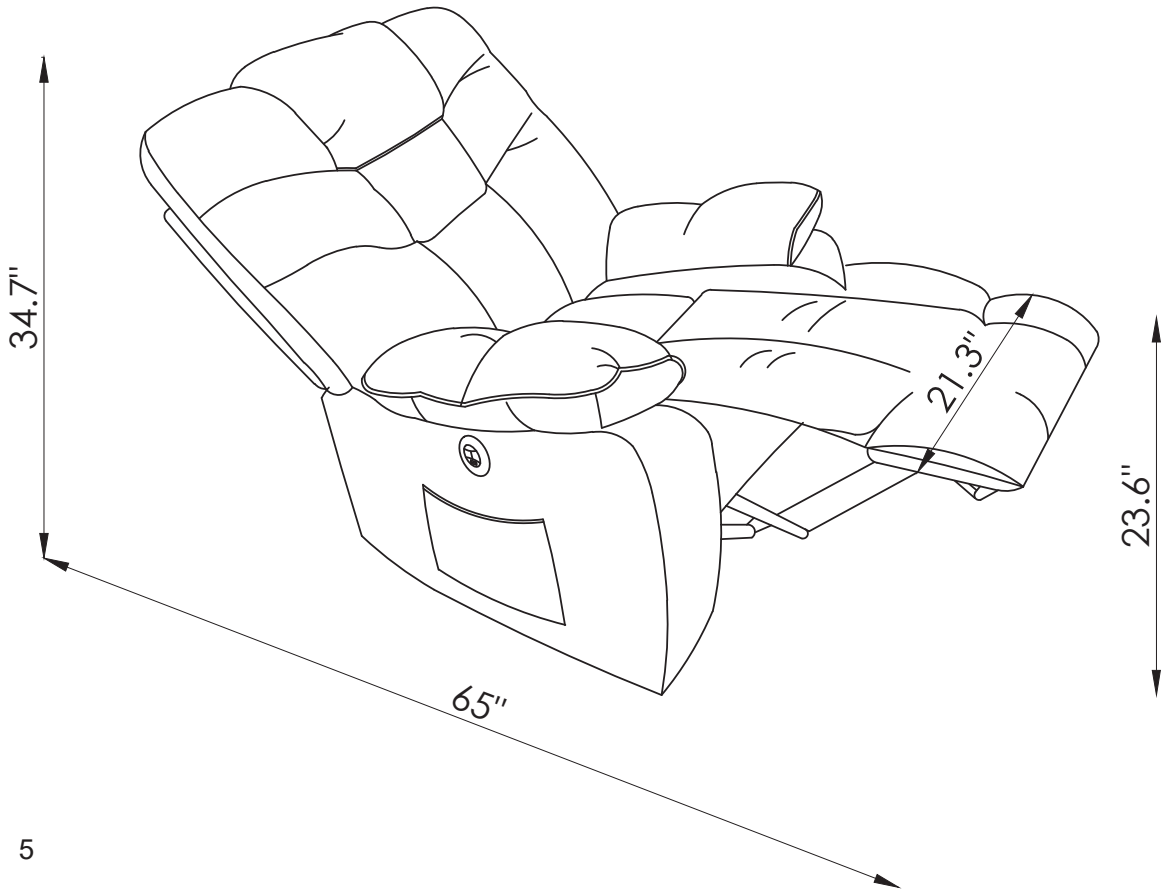
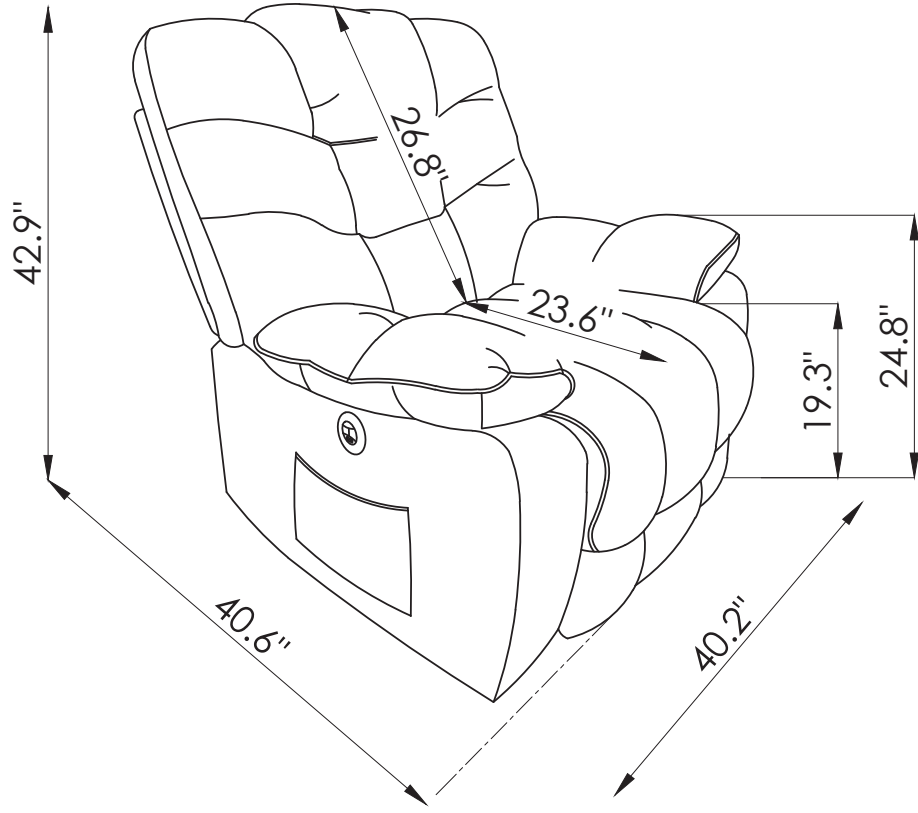


K



L





Warnings

1. Please check if the components of the chair are all included and can be used normally.
2. Assemble all components according to the instruction correctly before you connect the chair to the power.
3. Please DO NOT sit on the armrests or footrest to eliminate the risk of tipping over.
4. If the chair is damaged or doesn't match the website description, please send clear pictures of the product and label of the carton to our service team for further help.
5. If the recliner doesn't work, you may try the following measures for self-checking firstly:
 - a) Check if all the cables are connected;
 - b) Check if the light of transformer is on.

If the chair still doesn't work, please feed the information back to our customer service in time and we'll help you solve the matter as soon as possible

6. If you have any questions with the product, please contact us.

