

INSTALLATION INSTRUCTIONS

CAUTION: TO PREVENT ELECTRICAL SHOCK, ENSURE ELECTRICITY HAS BEEN TURNED OFF AT THE CIRCUIT BREAKER BEFORE BEGINNING.

- Read all instructions before installing.
- System is intended for installation by a licensed electrician in accordance with the National Electrical Code (NEC) and local regulations.
- When handling the fixture, do not apply pressure to the LEDs. Hold the fixture by the base only.
- Retain installation instructions for future maintenance reference.

WARNING: All parts must be used as indicated in these instructions. This product is designed for use only with the supplied parts and/or accessories designated for use by dweLED. Substitution of parts or accessories not designated for use with this product by dweLED could result in personal injury or property damage, and will void the warranty. Contact an authorized dealer or the manufacturer if any parts are damaged or missing.

MAINTENANCE NOTE: Coastal conditions may cause mineral and residue build-up on the fixture. We recommend that customers in coastal areas clean all external surfaces of the fixture once every two weeks with a wet cloth.











MISE EN GARDE: Pour éviter tout choc électrique, assurez-vous que le disjoncteur soit mis hors tension avant de commencer.

- Lisez toutes les instructions avant l'installation.
- Le système doit être installé par un électricien licencié conformément au code national de l'électricité (NEC), et également aux règlements locaux.
- Lors de la manipulation du luminaire, n'appuyez pas sur les LED. Tenez-le uniquement par la base.

ATTENTION: Toutes les pièces doivent être utilisées comme indiqué dans ces instructions. Ce produit est conçu pour être utilisé seulement avec les pièces et/ou accessoires fournis pour être utilisés avec les produits dweLED. Remplacer des pièces ou accessoires non conçus pour ce produit dweLED pourrait causer des dommages corporels ou matériels et pourrait également causer l'annulation de la garantie. Veuillez contacter un revendeur autorisé ou le fabricant si des pièces manquent ou sont endommagées.

NOTE D'ENTRETIEN: Les conditions côtières peut causer une accumulation de minéraux et de résidus sur le luminaire. Nous recommandons aux clients qui résident dans les zones côtières de nettoyer toutes les surfaces externes du luminaire une fois toutes les deux semaines avec un chiffon humide.

HARDWARE

									
Wire Connector Qty: 3	Junction Box Screw Qty: 2 + 1 extra	Allen Wrench Qty: 1	Hole Plug Qty: 1	Wood Screw Qty: 6 + 1 extra	Plastic Anchors Qty: 6 + 1 extra	Cord Bracket Qty: 2	Cord Cover Qty: 2	Green Grounding Screw Qty: 1	Allen Screw Qty: 1 + 1 extra

INSTALLATION INSTRUCTIONS

PREPARATION

- Carefully unpack your new fixture and lay out all the parts on a clear area. Be careful not to lose any small parts necessary for installation.
- Remove the mounting plate (K1) from fixture.

PORTABLE INSTALLATION (Fig. 1)

1. Drill holes in the wall aligned with the key-hole location in mounting plate (K1).
2. Insert plastic anchors (F1) into holes. Insert wood screws (E1) into anchors leaving enough length to hang mounting plate (K1).
3. Hang mounting plate (K1) and tighten screws until mounting plate is secured to the wall.
4. Place the fixture onto the mounting plate and secure it with the allen screws (J1) using the allen wrench (C1) provided.
5. Install optional cord cover if desired. Drill holes in the wall aligned with the hole locations on the cord bracket (G1). Insert plastic anchors (F1) into wall. Secure bracket to the wall with wood screws (E1).
6. Place the cord into the bracket (G1). Snap the cord cover (H1) over the bracket and plug into outlet.
7. This lamp features a dimmer switch. Press and release to turn on/off. When fixture is on, press and hold the switch to cycle from dim to bright and release when desired brightness is reached.

IMPORTANT SAFETY INSTRUCTIONS

This portable lamp has a polarized plug (one blade is wider than the other) as a safety feature to reduce the risk of electric shock. This plug will fit a polarized outlet only one way. If the plug does not fit fully in the outlet, reverse the plug. If it still does not fit, contact a qualified electrician. Never use with an extension cord unless the plug can be fully inserted. Do not change or alter the plug.

FIXTURE INSTALLATION (FIG.3)

1. Shut off power at the circuit breaker. If necessary, remove old fixture, including mounting hardware.
2. Cut power cord to 7" length (from center of backplate). Pull cord through from grommet hole in order to connect to main power. (**CAUTION:** Fixture cannot revert to plug-in version once the cord and plug are cut off) Remove grommet from lamp base and insert hole plug (D1) provided to cover hole.
3. Unscrew the allen screw (J1) using allen wrench (C1) provided. Remove the back plate (K1) from lamp base. Unscrew two screws (L1) and remove metal plate (N1) from lamp base. Then replace two screws (L1) over power cord and bare copper as strain relief.
4. Attach the mounting plate (K1) onto the junction box using two junction box screws (B1). Make sure the mounting plate (K1) in horizontal position. The side of mounting plate (K1) marked "GND" must face out.
5. Connect the electrical wires as shown (Fig. 2). Make sure that all wire connectors (A1) are secure. If your outlet box has a ground wire (green or bare copper), connect the fixture's ground wire to it. Otherwise, connect the fixture's ground wire directly to the mounting plate (K1) using the green screw (I1) provided. After wires are connected, tuck them carefully inside the junction box.
6. Place the fixture over the mounting plate (K1) and secure it using allen screws (J1) by allen wrench (C1) provided.
7. This lamp features a touch switch. Press and release to turn on/off. When fixture is on, press and hold the switch to cycle from dim to bright and release when desired brightness is reached.

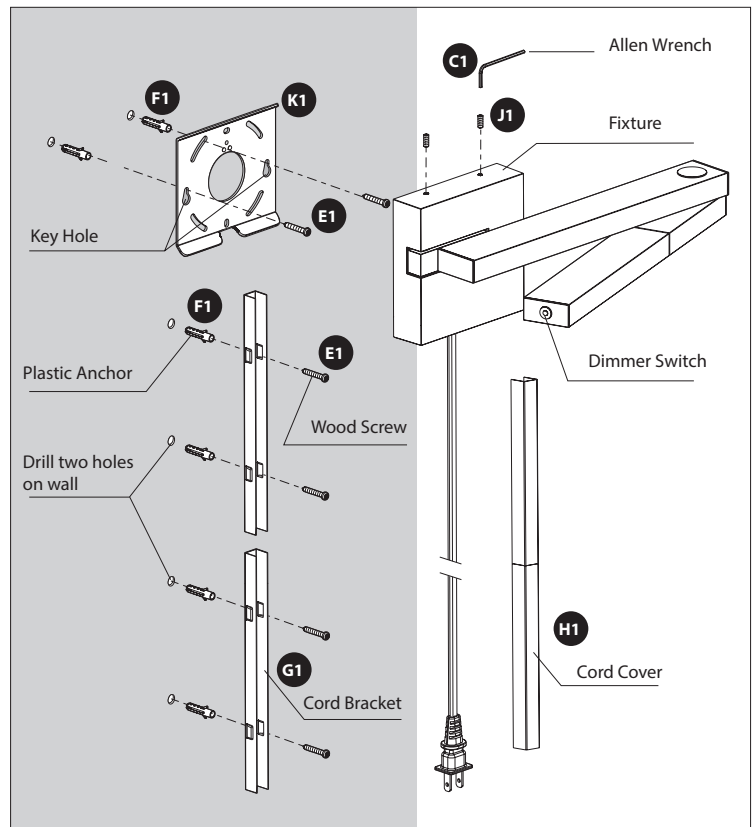
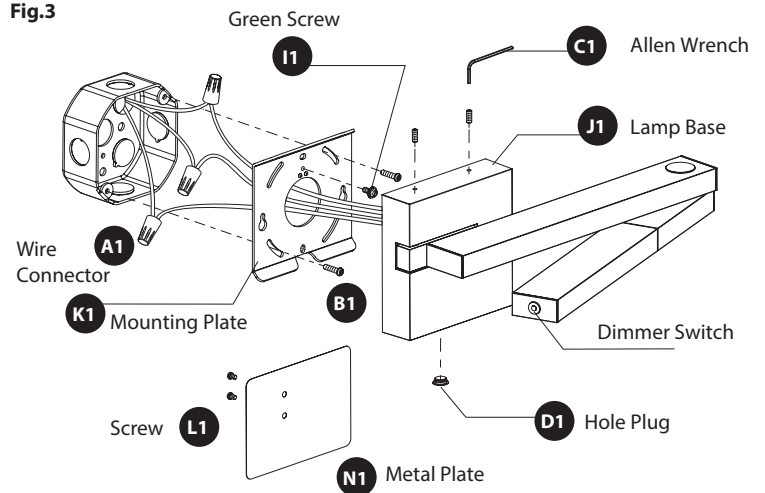


Fig.2 Wiring



Fixture Wires	House Wires
Black or Smooth	Black (Hot)
White or Ribbed	White (Neutral)
Bare wire (Ground)	Green or Bare Copper (Ground)

Fig.3



INSTALLATION INSTRUCTIONS

FIXTURE OPTIONS

Fig. 1

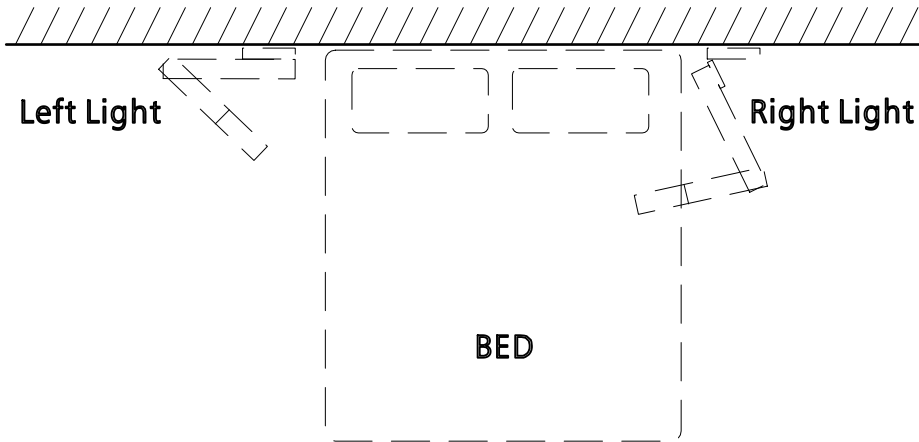


Fig. 2

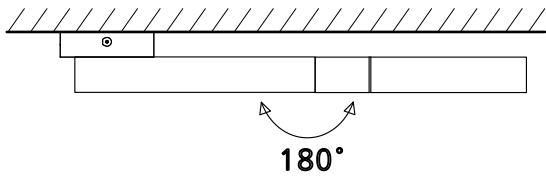


Fig. 3

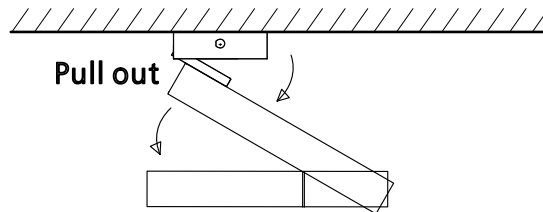


Fig. 4

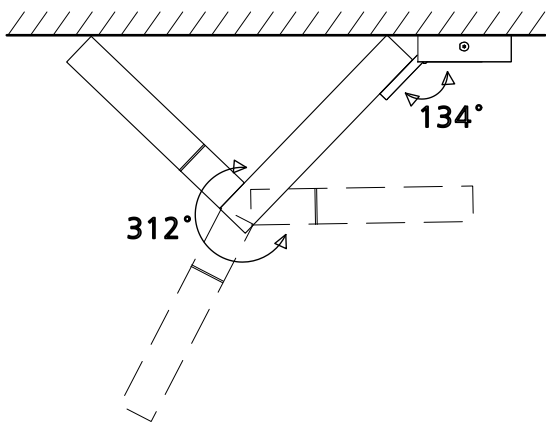


Fig. 5

