

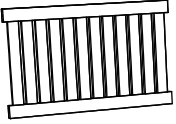

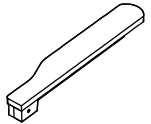
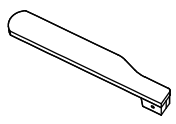
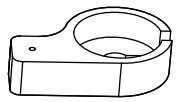
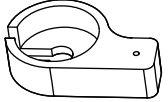
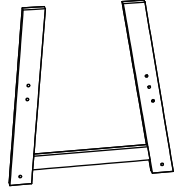

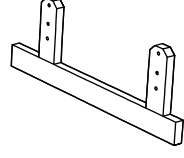
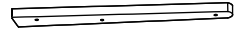








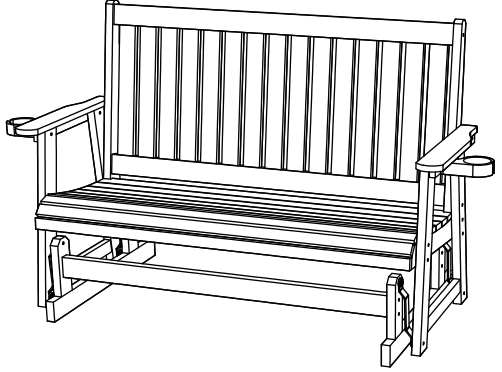
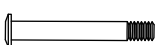
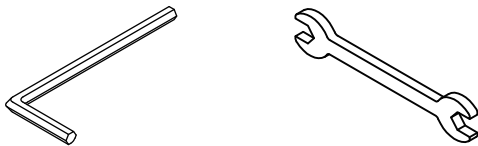
Instruction Manual

Patio Glider



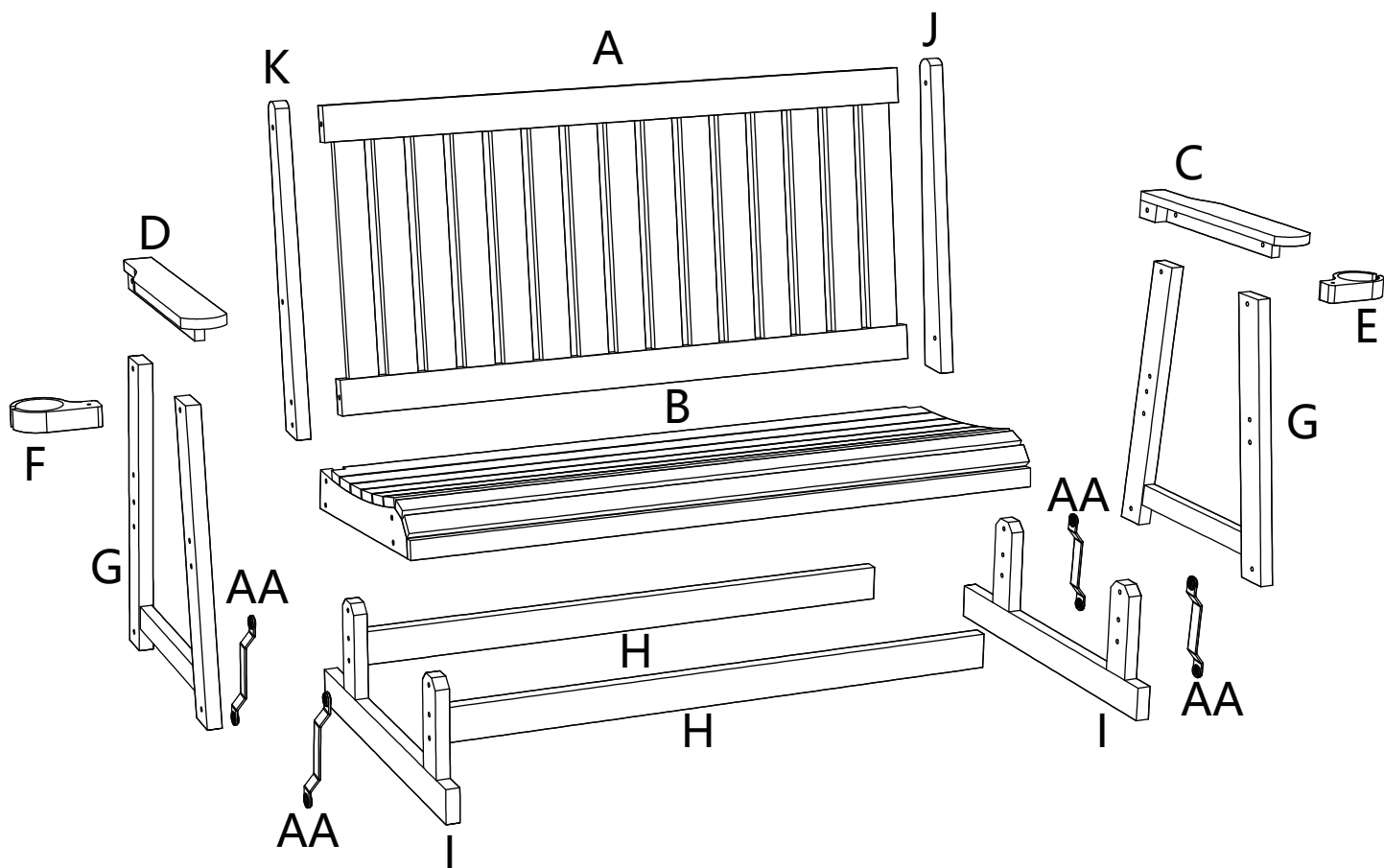
1. Please find the assembly guidelines on Page 4-9.

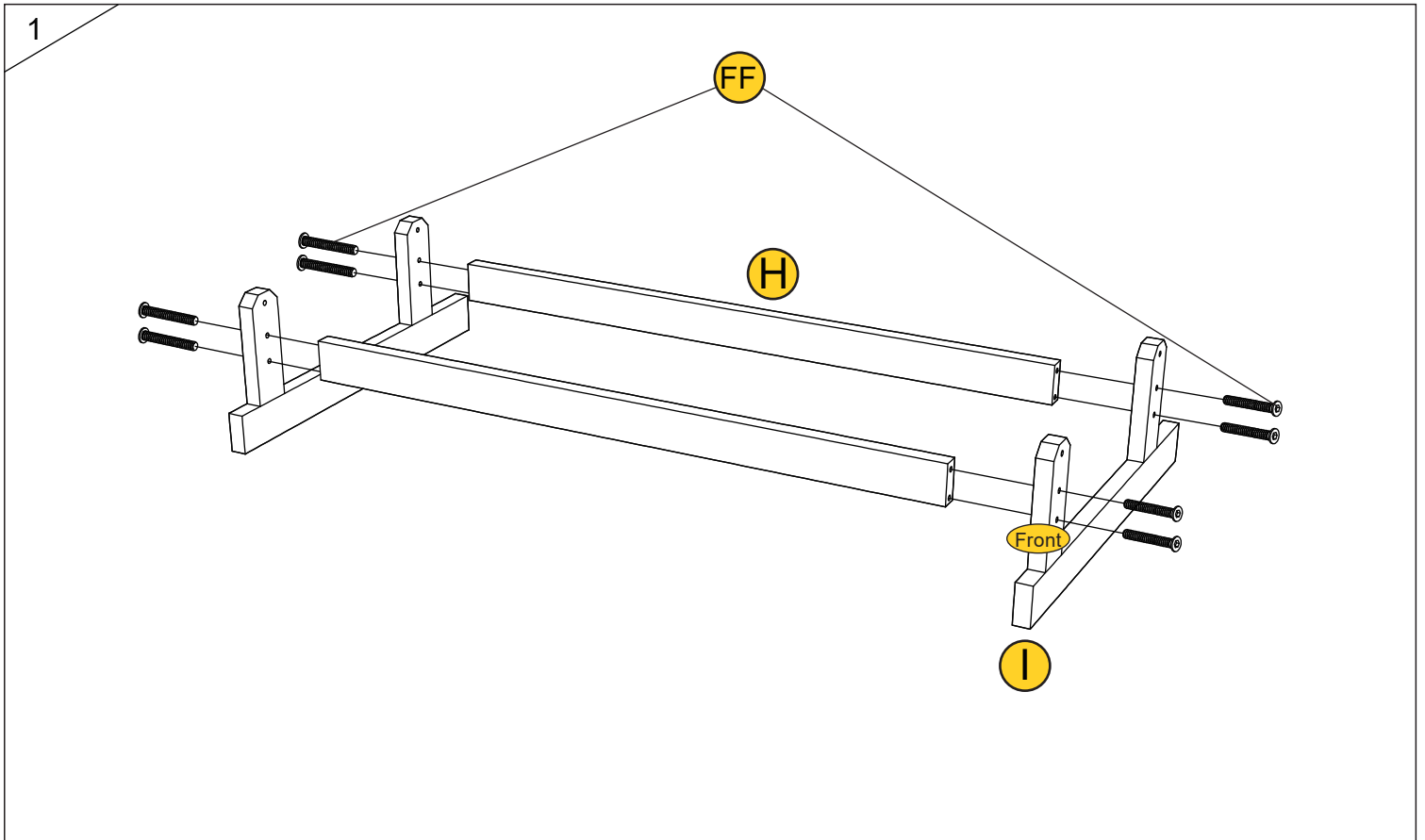
4. Scratches may occur due to violent impacts during the shipping process. We will respond within 8 hours and provide free replacement parts or other services you need.

				
A x 1	B x 1	C x 1	D x 1	E x 1
				
F x 1	G x 2	H x 2	I x 2	J x 1
		 M6*50	 M6*60	 M6*70
K x 1	AA x 4	BB x 8	CC x 4	DD x 8
 M6*50	 M6*60	 M6*70		
EE x 6	FF x 8	GG x 2		
 M6*50				
HH x 2	Tools			

Precautions before Assembly

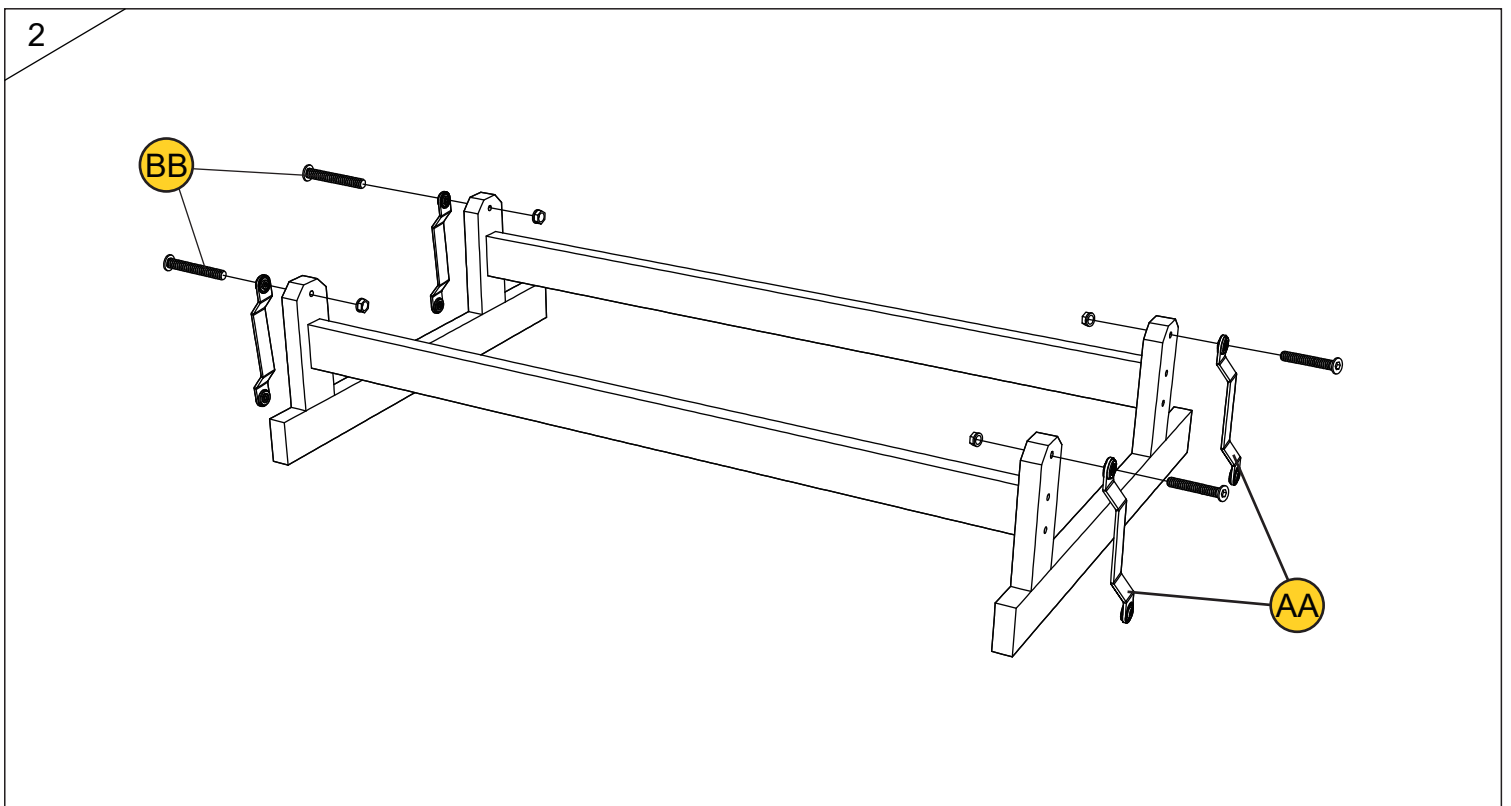
1. If any parts are missing, scratched, or damaged, please get in touch with the seller or customer service for a partial refund and replacement parts.
2. In each assembly step, the screws only need to be tightened 80%, which will make it easier to assemble different parts. In the last step, please tighten the screws and nuts as tight as possible.





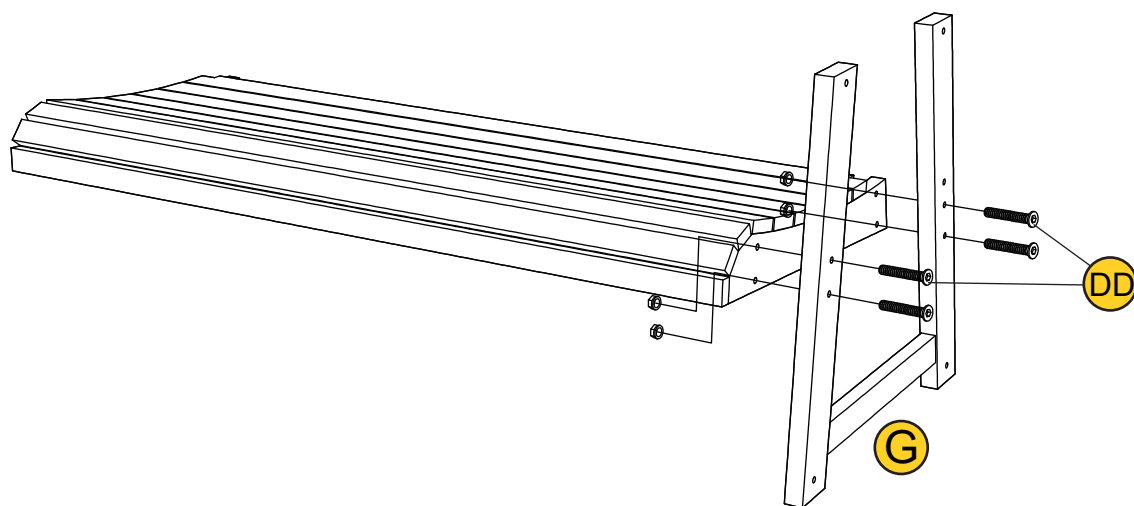
1. Assembling the base of the glider.

⚠ The shorter end of the two I parts is at the front, and the longer end is at the back. Please pay attention to the label with the word "Front".



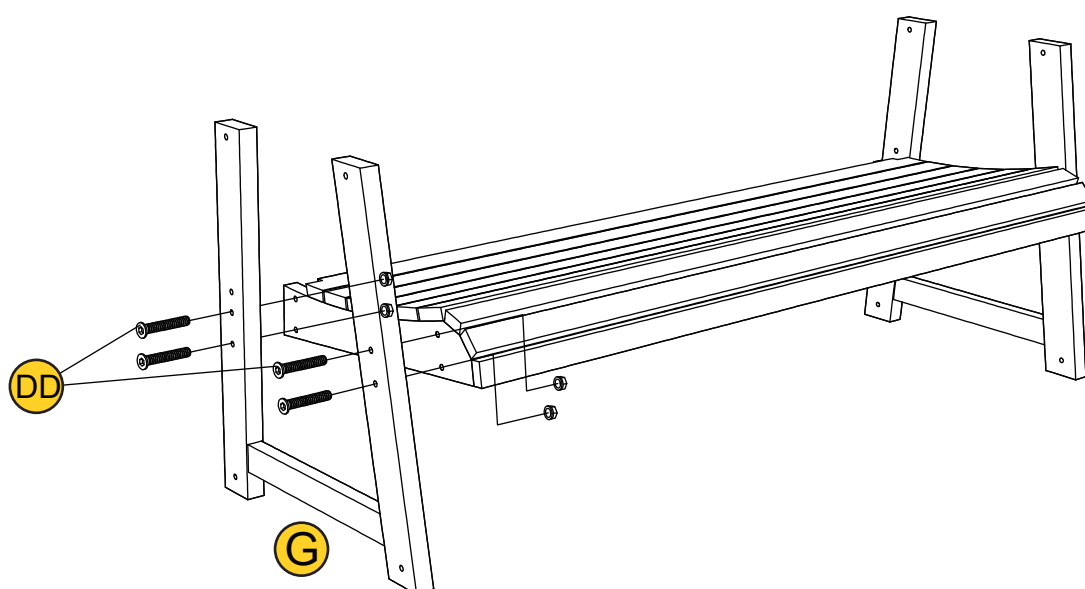
2. Assembling the metal connectors.

3



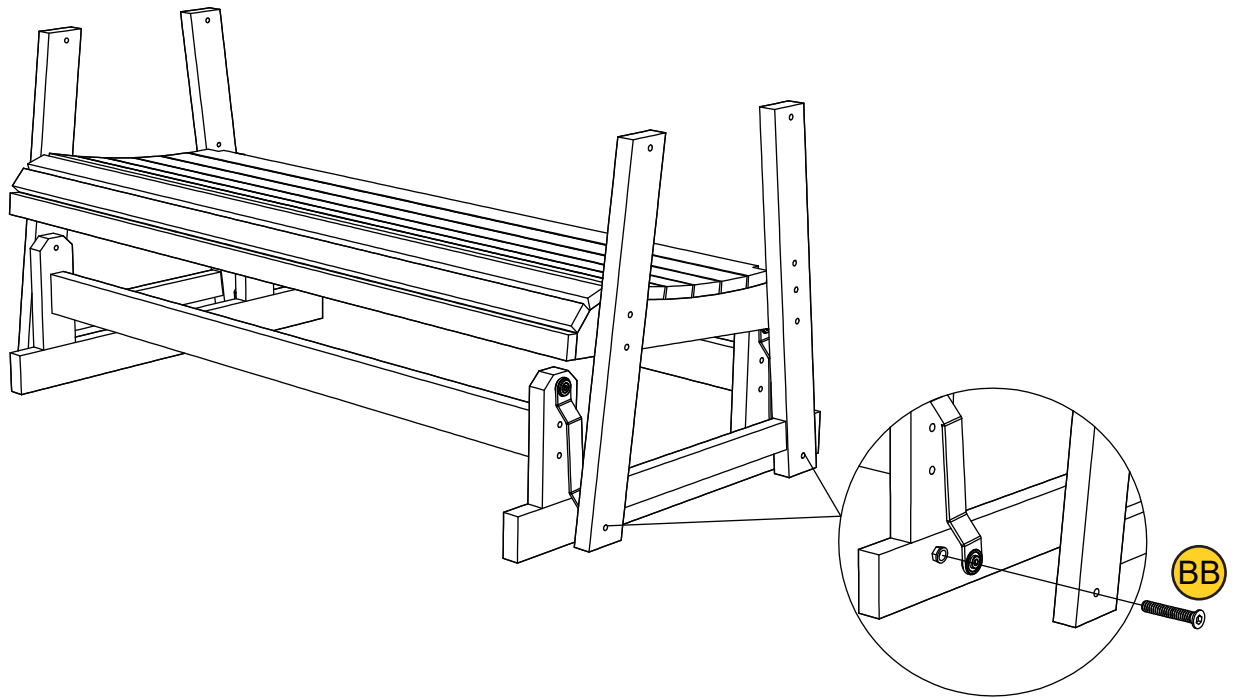
3. Please note that the side of Part G with 3 screw holes should be installed on the side close to the backrest. The third screw hole is used to install the backrest.

4



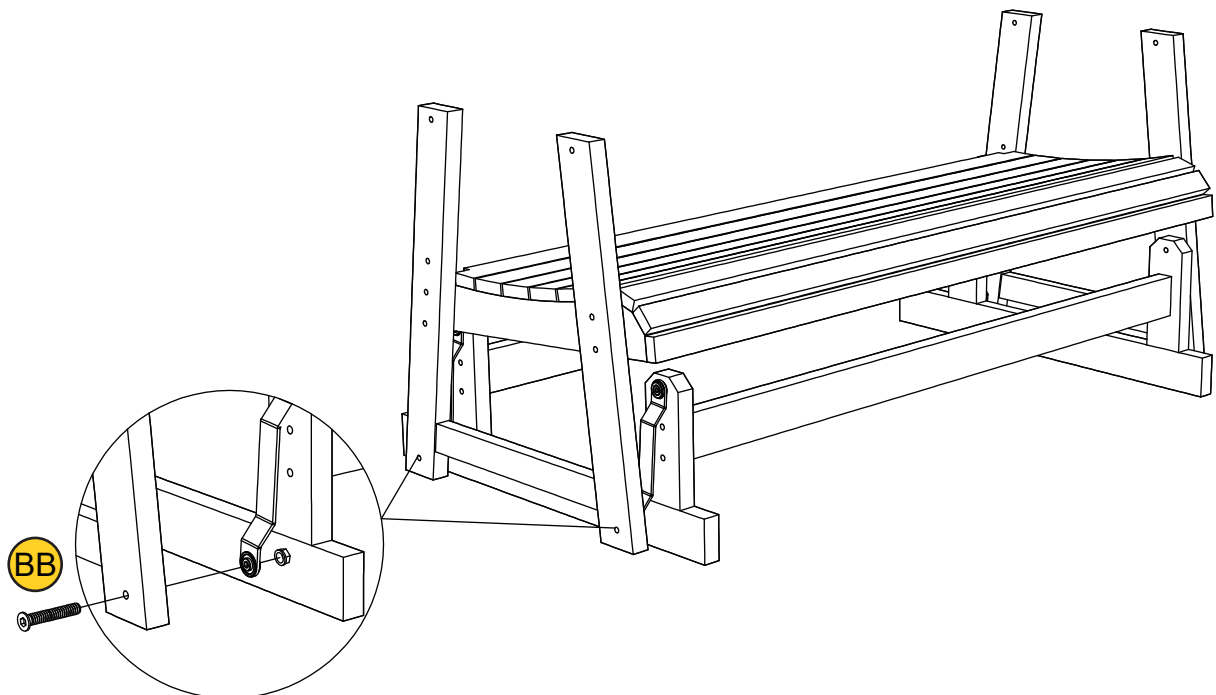
4. Please note that the side of Part G with 3 screw holes should be installed on the side close to the backrest. The third screw hole is used to install the backrest.

5

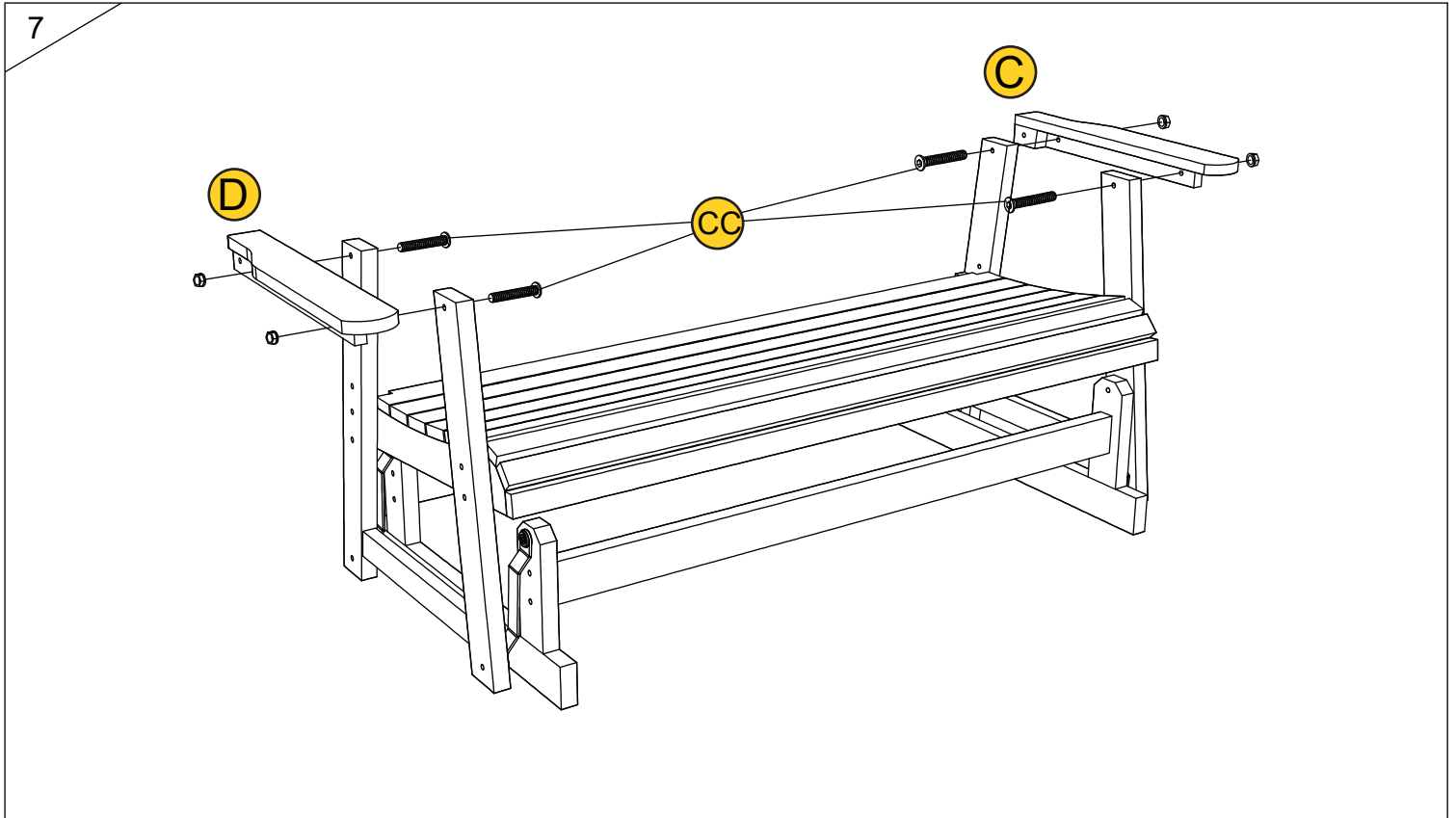


5. We recommend that two people work together for this step

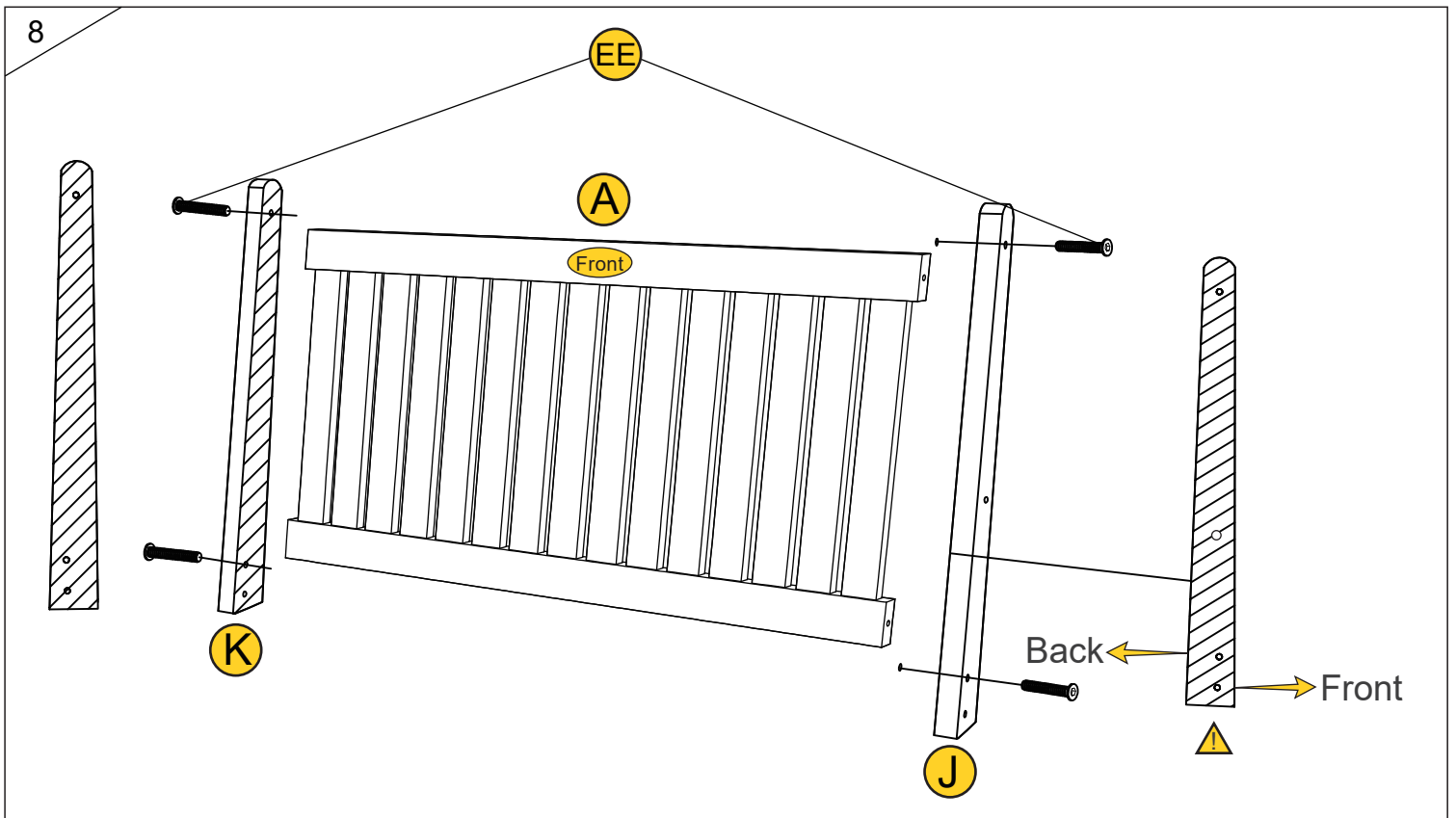
6



6. We recommend that two people work together for this step.

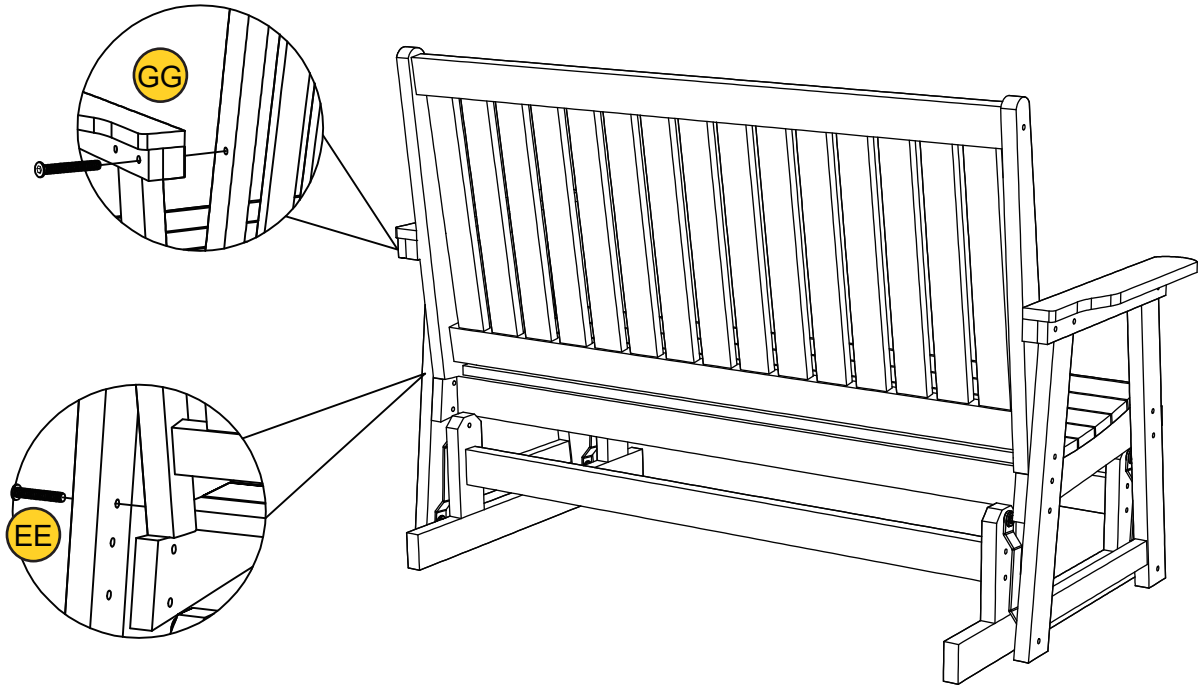


7. Assembling the armrests.



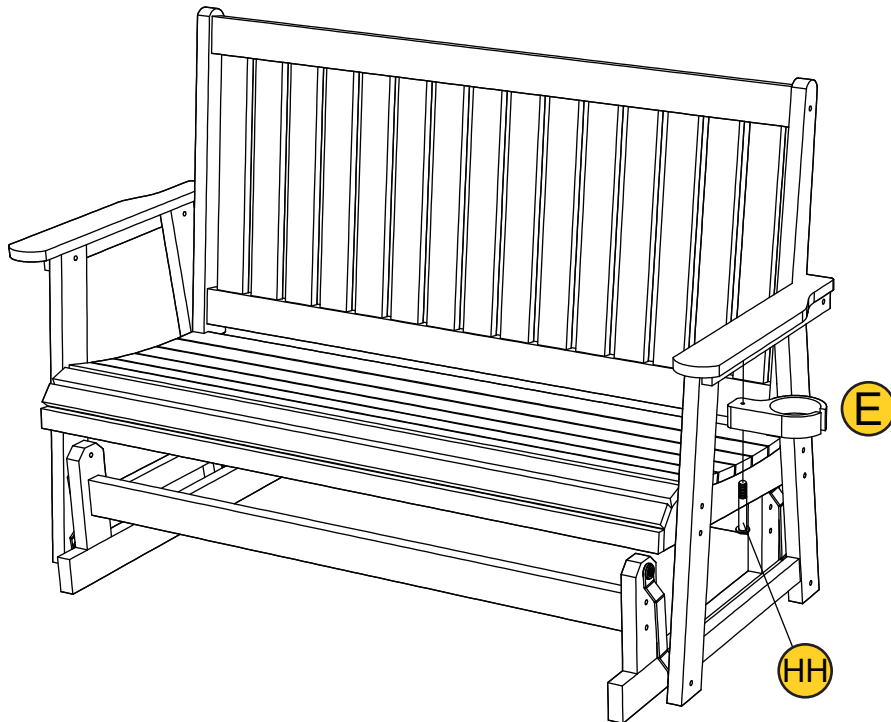
8. ⚠ Please pay attention to distinguish the front and back of Part K and J. The side closer to the screw hole is the front. Please find the label with "Front" on Part A and assemble the backrest in the right direction.

9



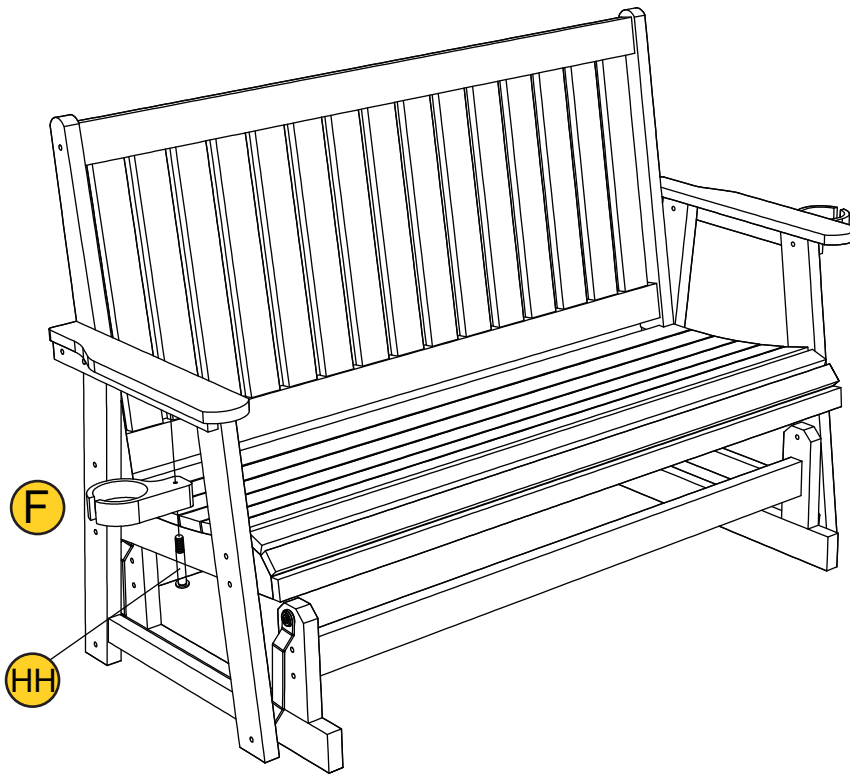
9. Assembling the backrest.

10



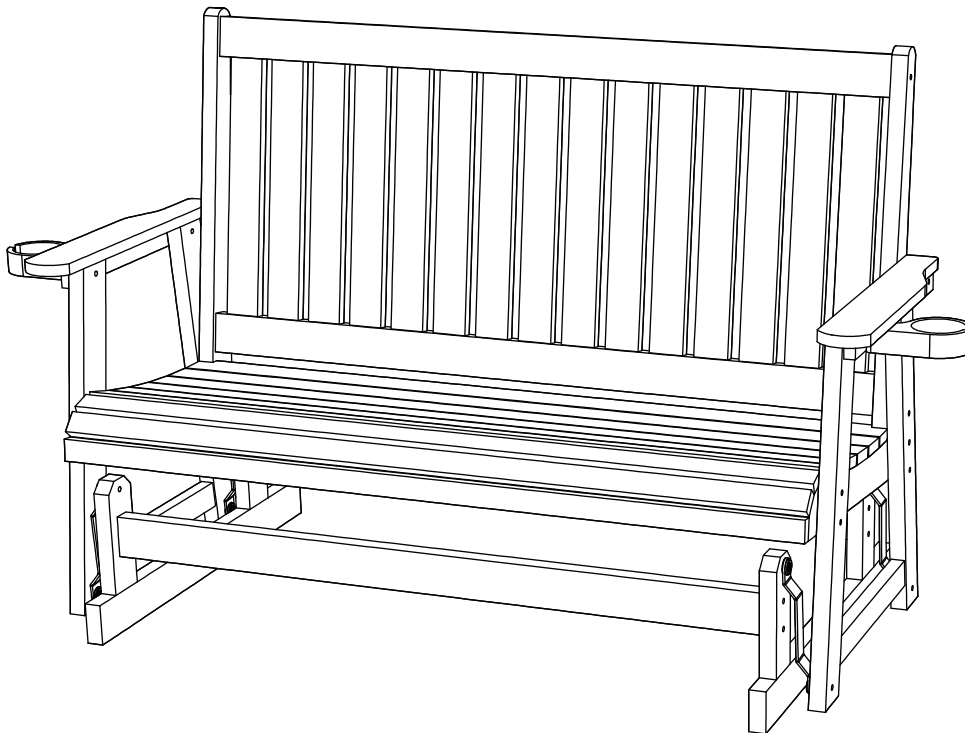
11. ⚠ Assembling the cup holder.

11



11. ⚠ Assembling the cup holder.

12



12. After all the parts are assembled correctly, please tighten the screws and nuts to the tightest, so that the glider can reach the maximum bearing capacity.

FAQs for This Product :

Q: How to maintain this product?

A: Please check the nuts regularly for looseness and tighten them. This product is entirely weather-resistant and very suitable for outdoor use. HIPS (High-impact polystyrene) is the most durable material for outdoor furniture.

Q: How to register for the warranty?

A: Please go to our official website, and use the online chat tool to send your order number; then we will register your product for warranty. You can also send an email.

Q: How to contact us to send replacement parts?

A: If you find any defects, scratches, or missing parts, the easiest way is to tell us which part you need using messages. In this way, we can find out which product you purchased and your delivery address. Please tell us your order number, shipping address, and which part is needed. No matter how you contact us, we will reply within 8 hours and give you a satisfactory solution.