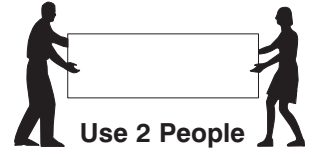
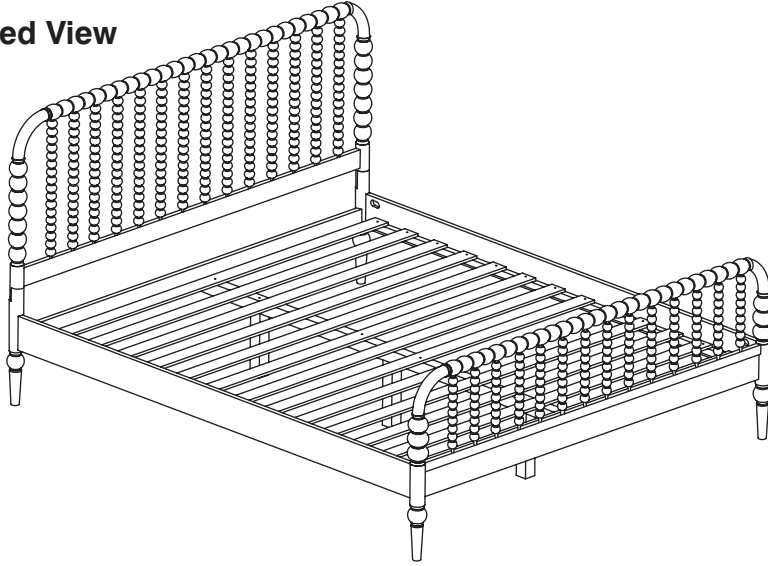


0110-4 Queen Bed

Assembly Instructions

WI-0524

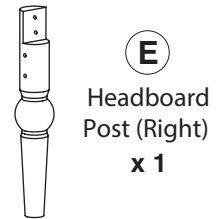
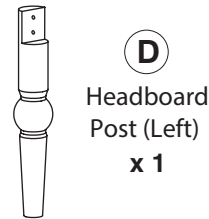
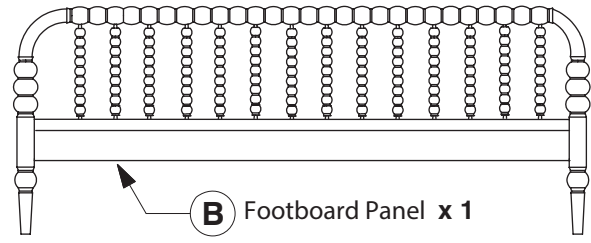
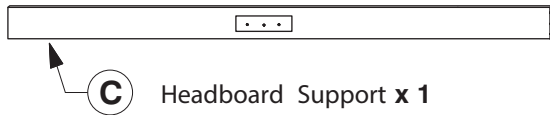
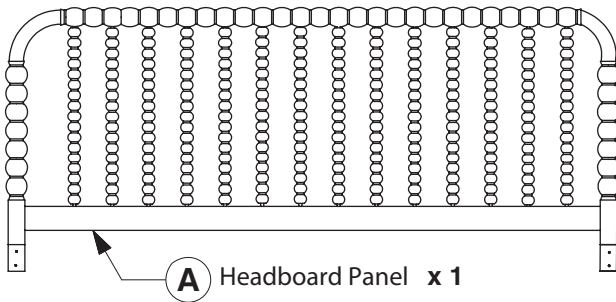
1 Assembled View



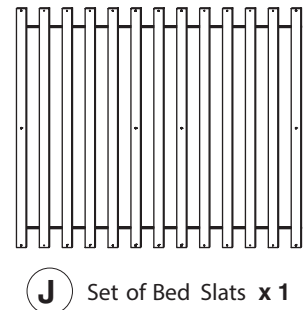
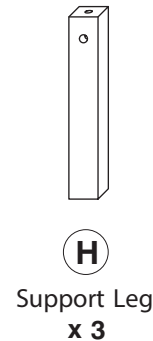
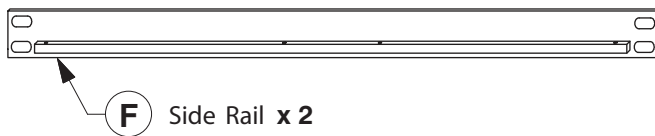
Note: Do not assemble using power tools. This can cause the bolts to be overtightened

2

Parts in Box A:



Parts in Box B:

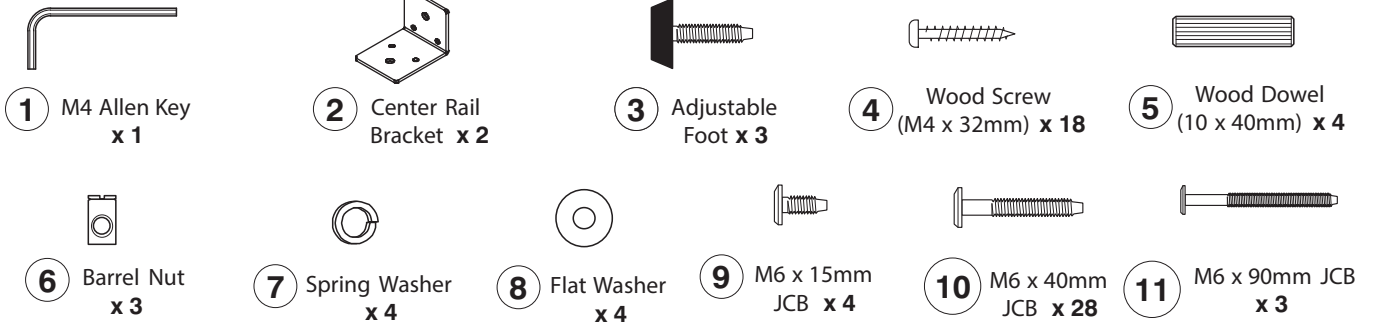


0110-4 Queen Bed

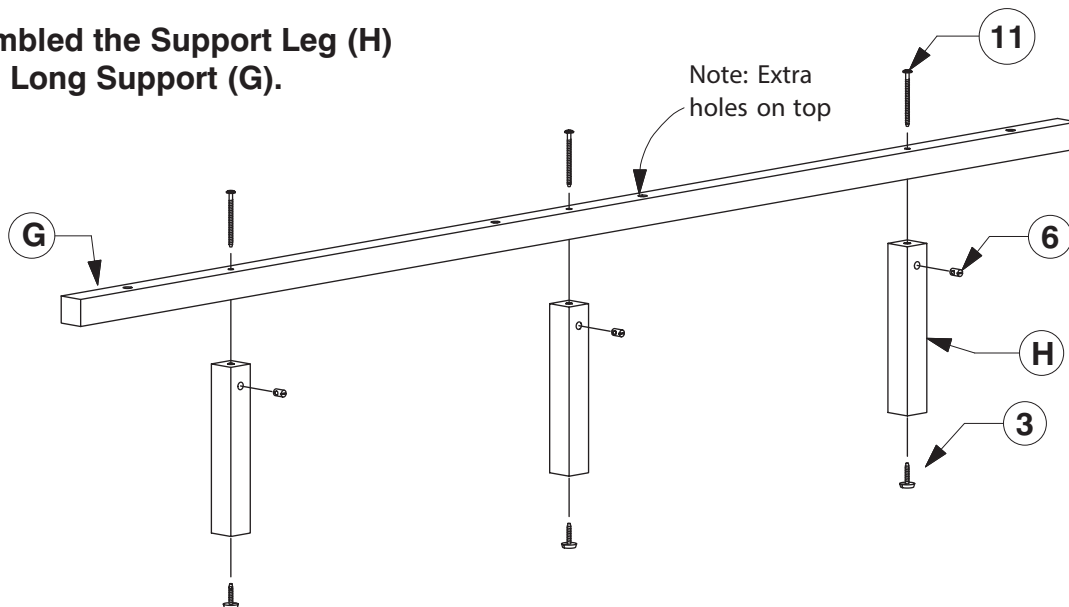
Assembly Instructions

WI-0524

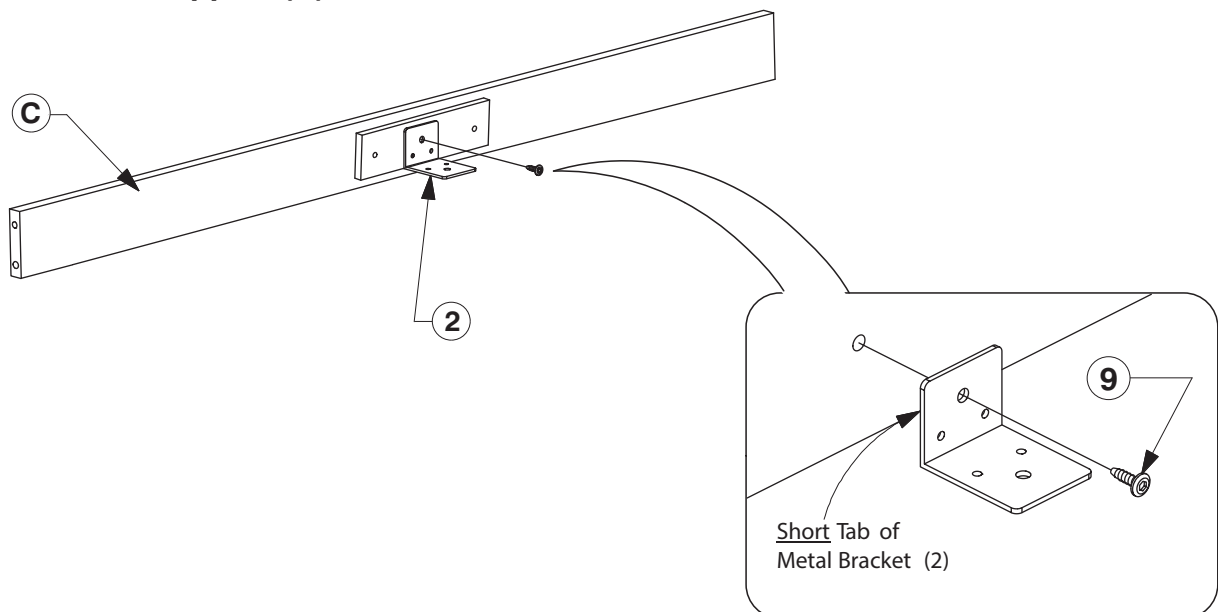
3 Hardware List



4 Assembled the Support Leg (H) to the Long Support (G).



5 Fit the Center Rail Bracket (2) to the Headboard Support (C).

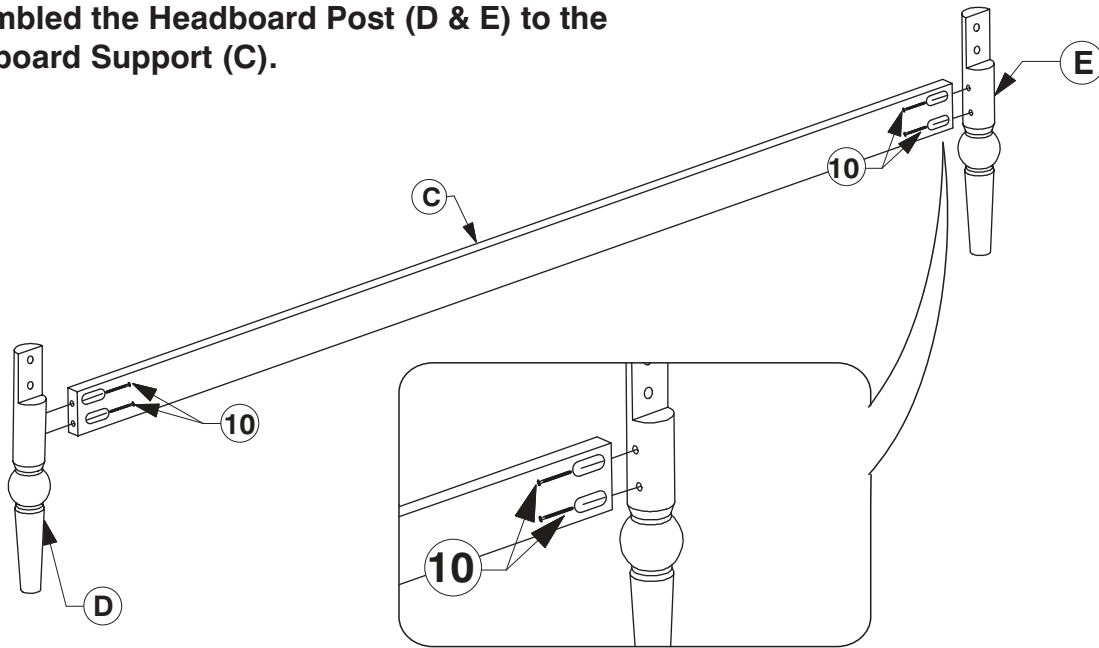


0110-4 Queen Bed

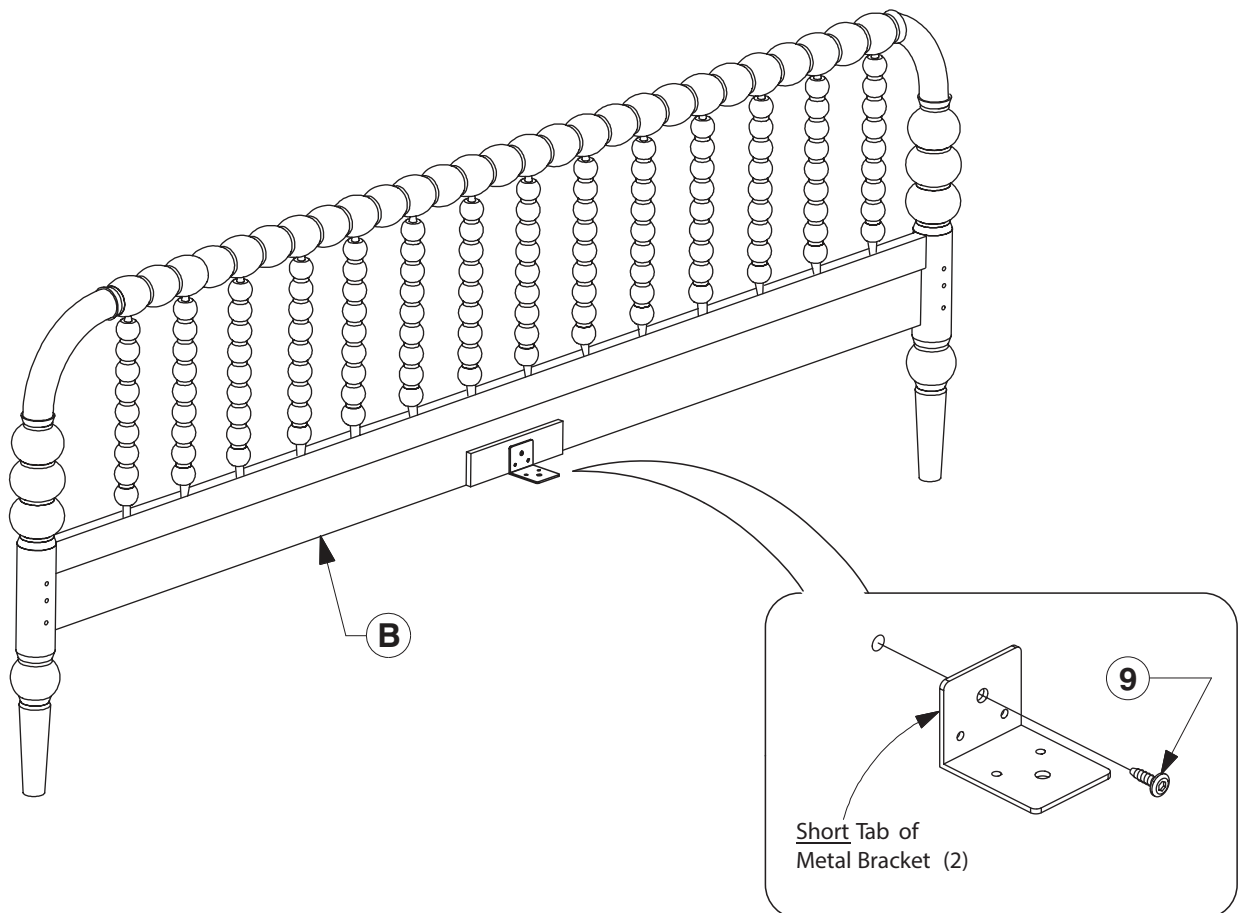
Assembly Instructions

WI-0524

- 6** Assembled the Headboard Post (D & E) to the Headboard Support (C).



- 7** Fit the Center Rail Bracket (2) to the Footboard Panel (B).

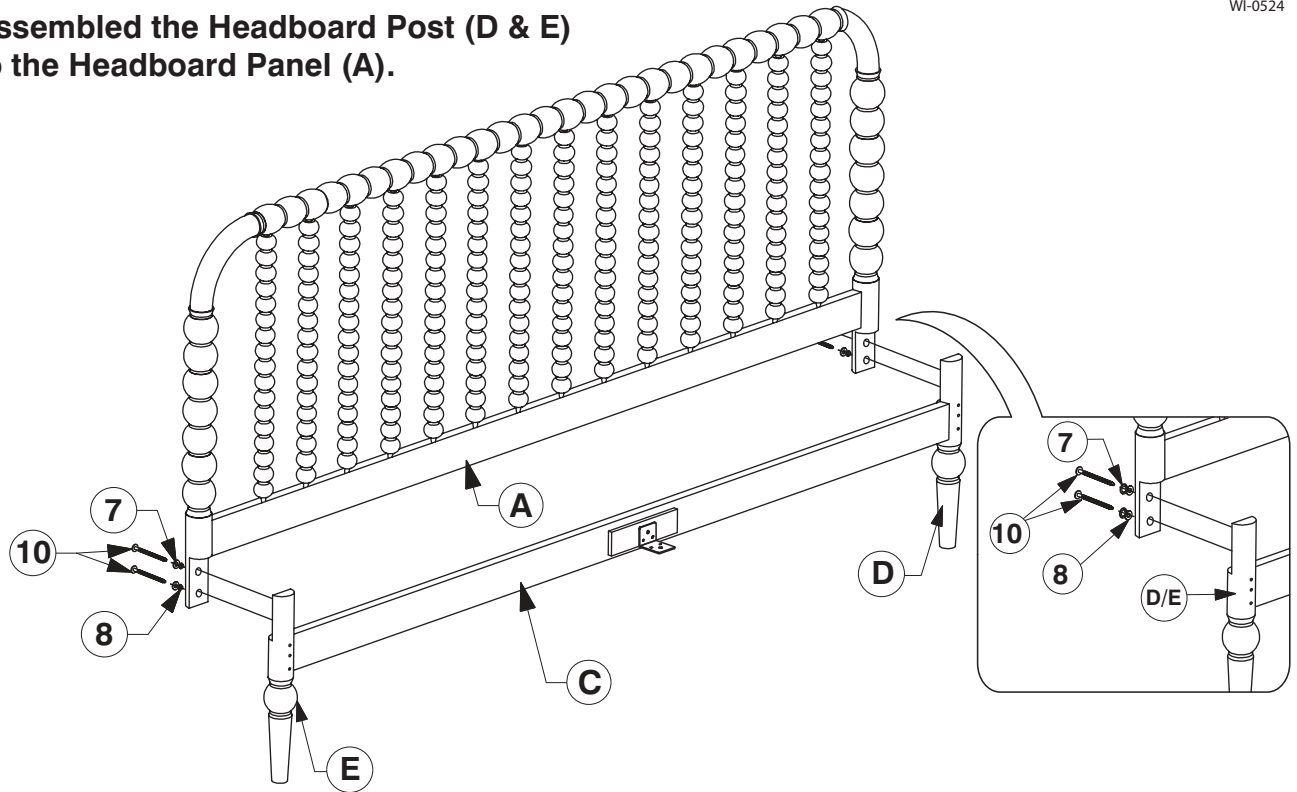


0110-4 Queen Bed

Assembly Instructions

WI-0524

- 8** Assembled the Headboard Post (D & E) to the Headboard Panel (A).



- 9** Assemble the Side Rail (F) to the Headboard Post (D & E) and Footboard Panel (B).

