

Warranty

Our office chair come with a 1- year warranty from the date of purchase.
In any circumstance that the product arrives damaged or missing parts.
We are more than happy to provide you with replacement part.

Warm Tips

Please read the instructions carefully before assembly and
make sure you have the parts & hardware as identified on the list.

It is highly recommended to assemble the chair on a
soft clean surface to avoid scratches.

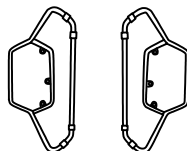
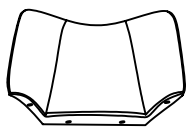
Executive Office Chair

Model: 9006



Parts List

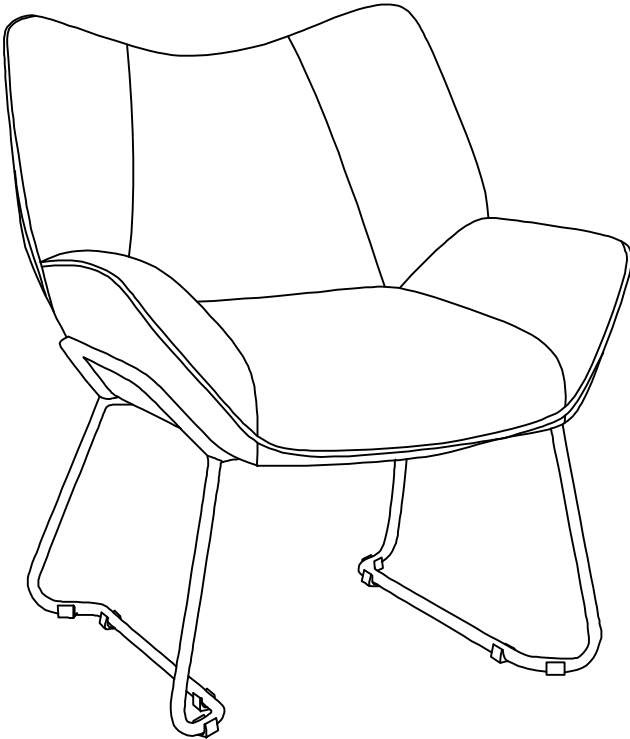
- ① Backrest ② Seat Cushion ③ Base Legs



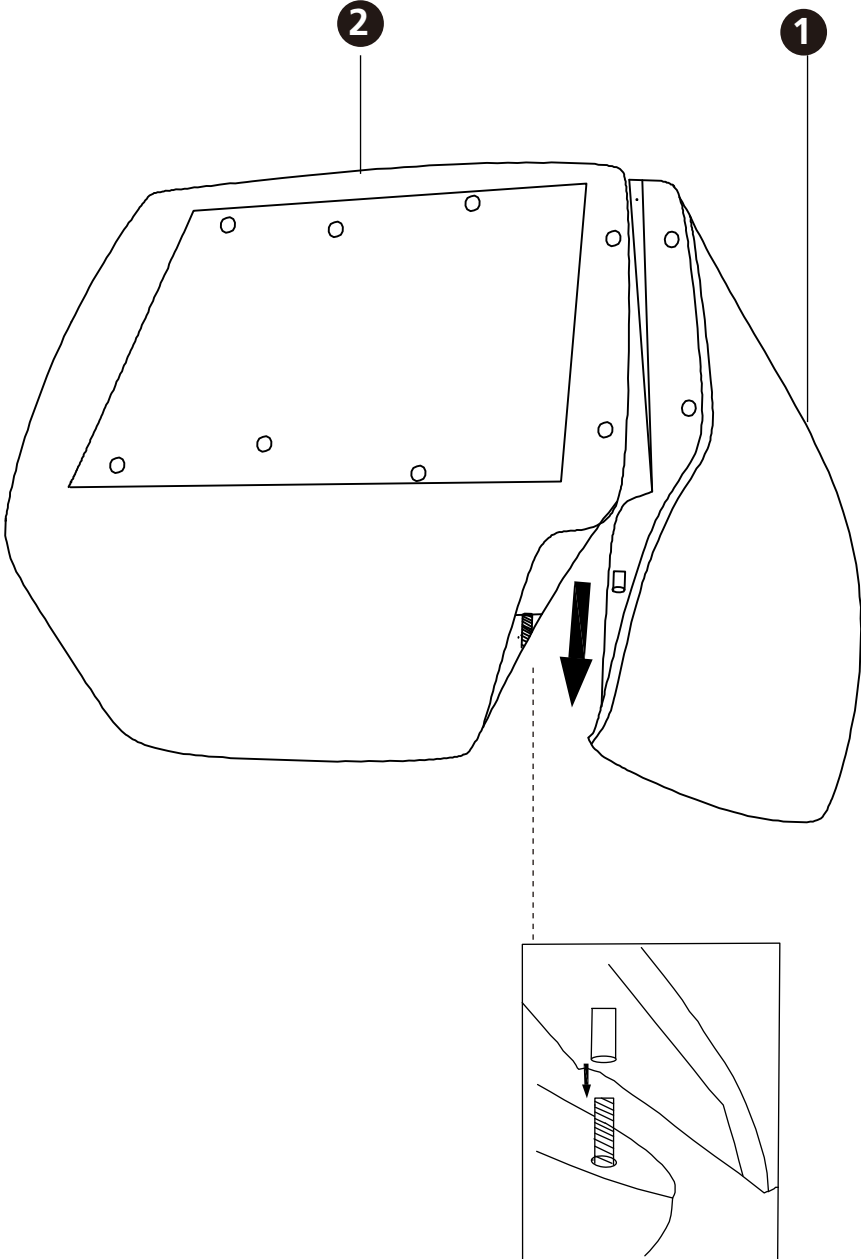
Hardware Kit

- | | | | |
|------|----------------------|--|---|
| ① A1 | Small Bolts(M6×20mm) | | 6 |
| ① A2 | Small Bolts(M6×50mm) | | 2 |
| ① B | Allen Key | | 1 |

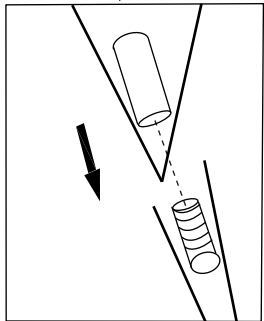
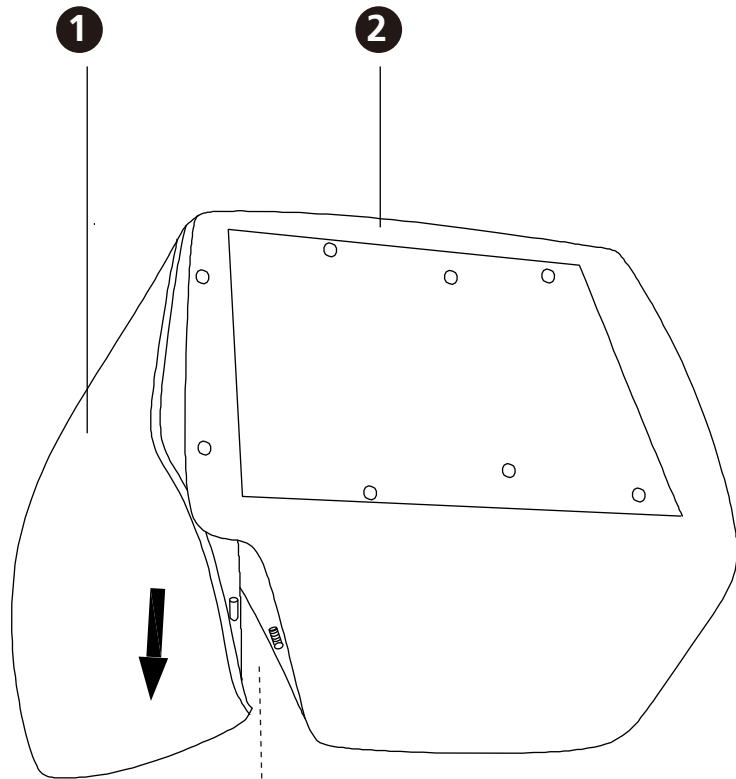
Step 6:



Step 1:

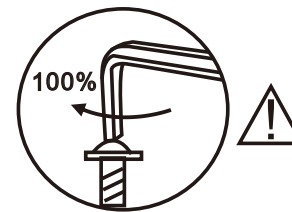
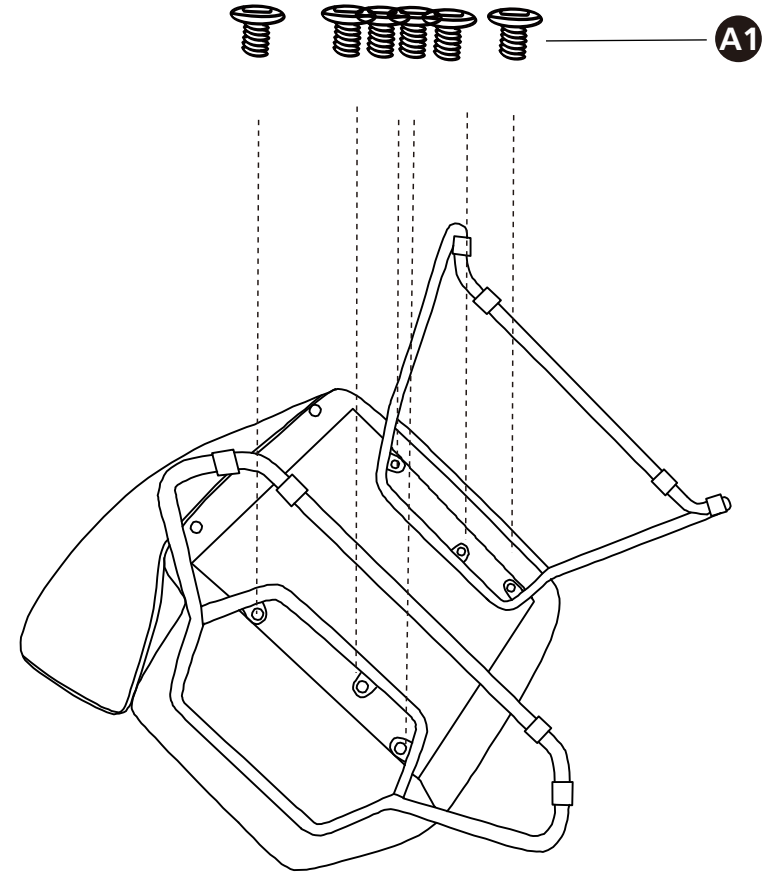


Step 2:



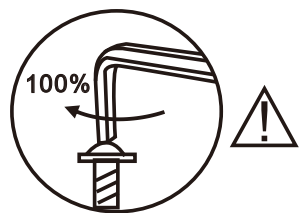
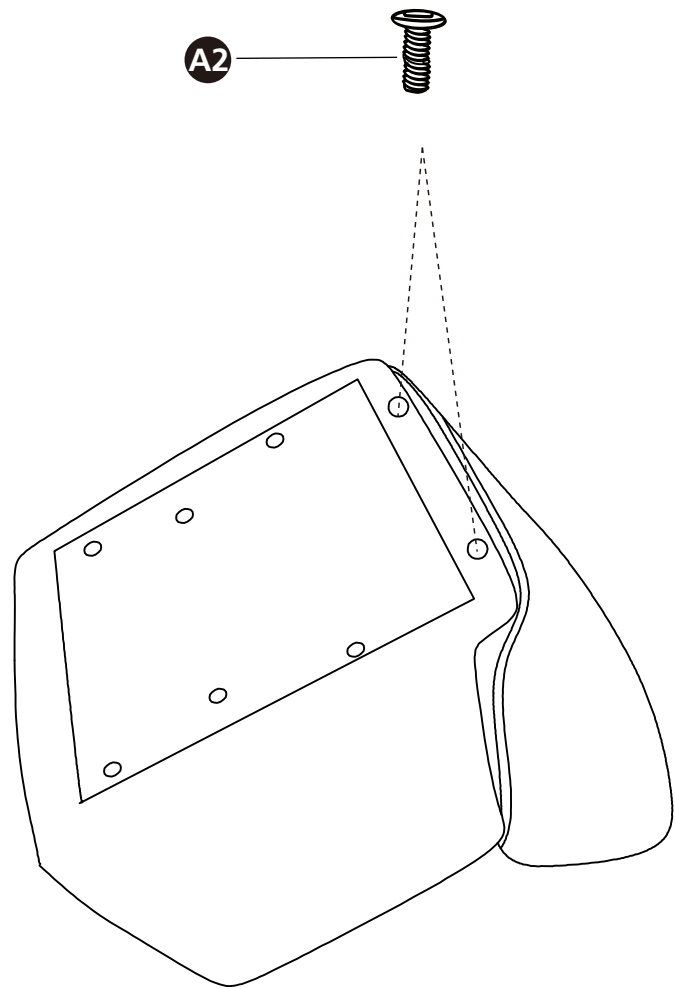
3

Step 5:



6

Step 4:



Step 3:

