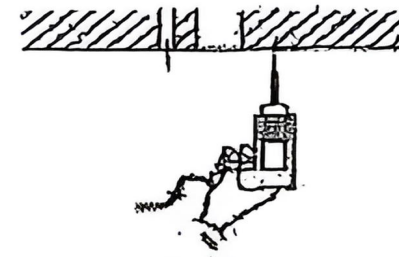
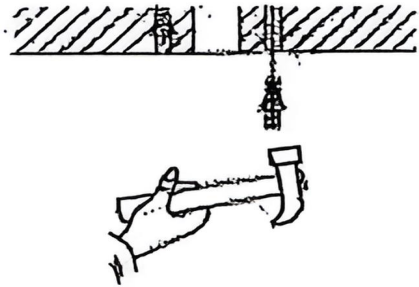


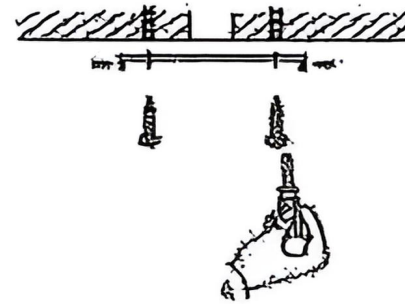
1. Standard position



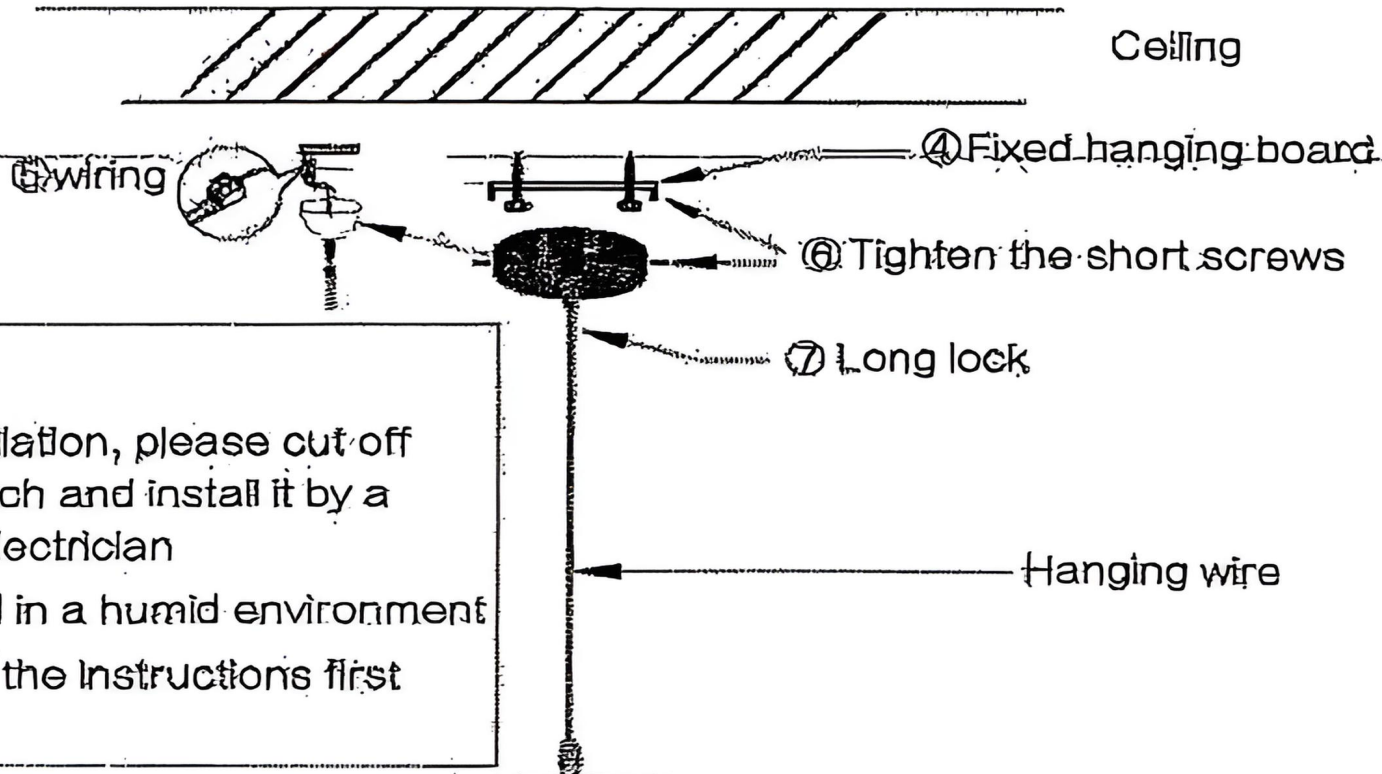
2. Electric drill



3. Expansion glue



4. Screw in



Prompt

1. Before installation, please cut off the power switch and install it by a professional electrician
2. Do not install in a humid environment
3. Please read the instructions first and lose