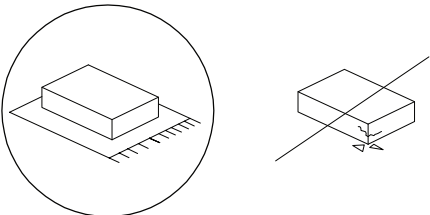

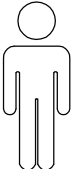
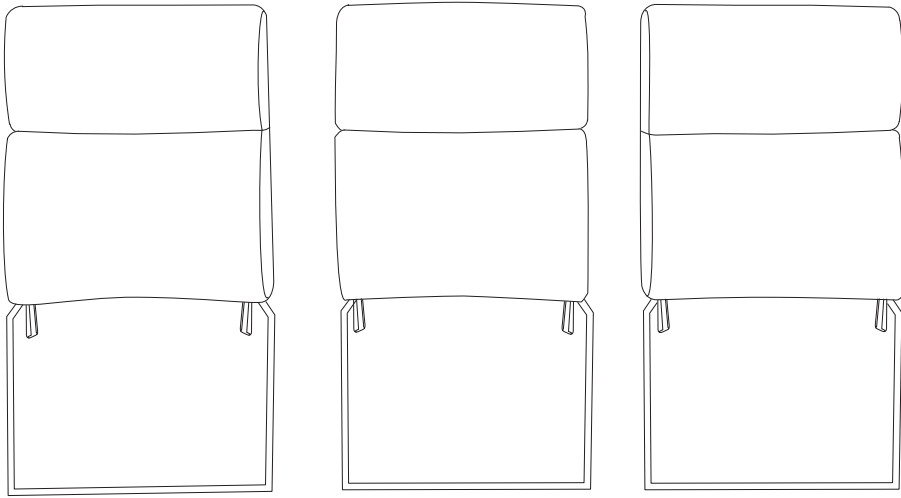
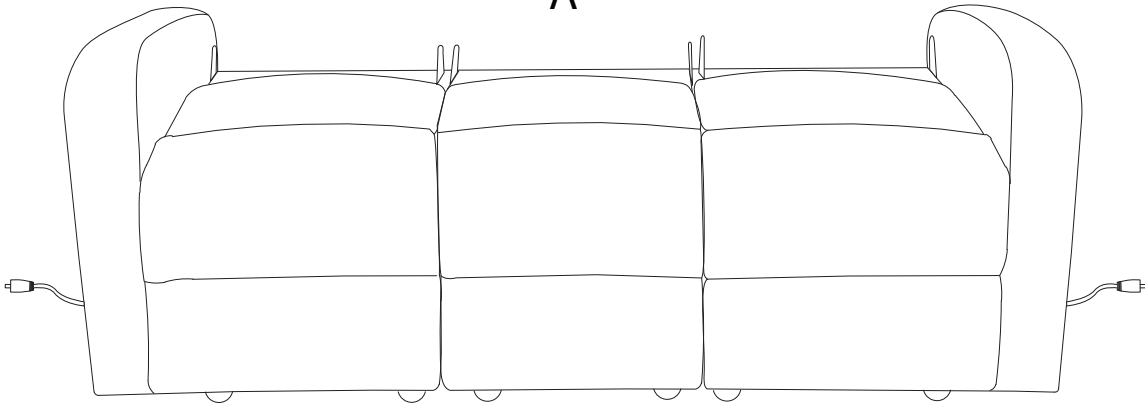

		20'
		
		2

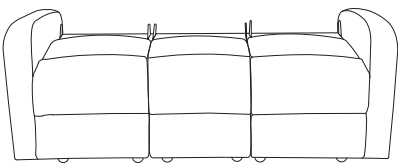
B x 3



A

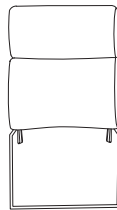


A



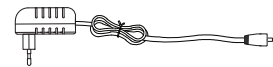
x 1

B



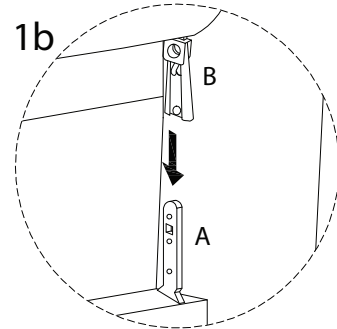
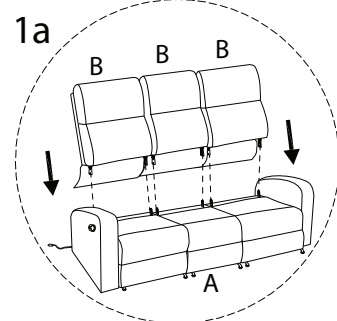
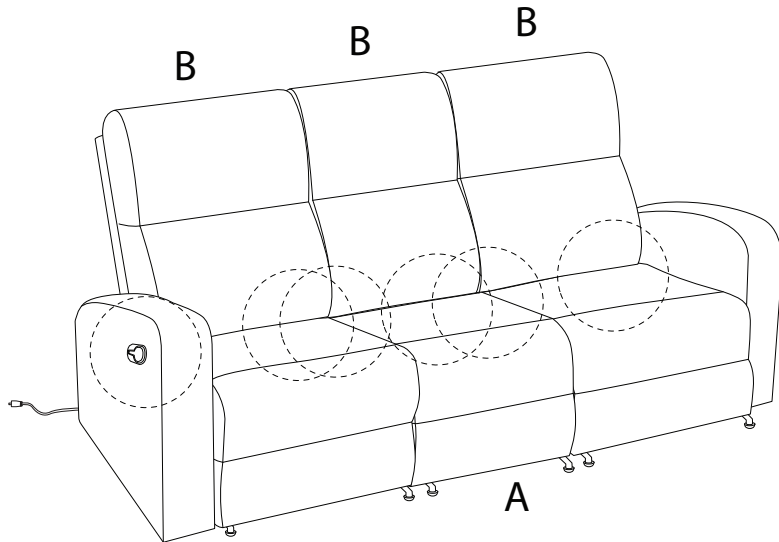
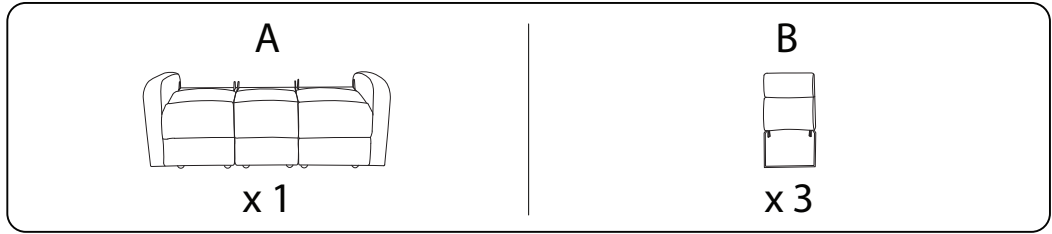
x 3

C

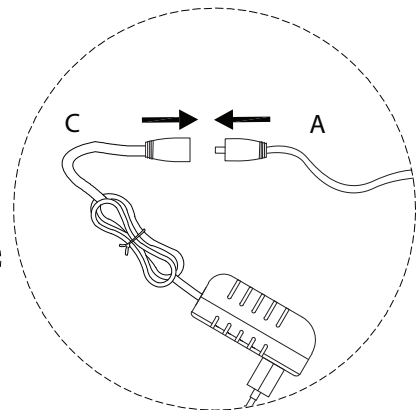
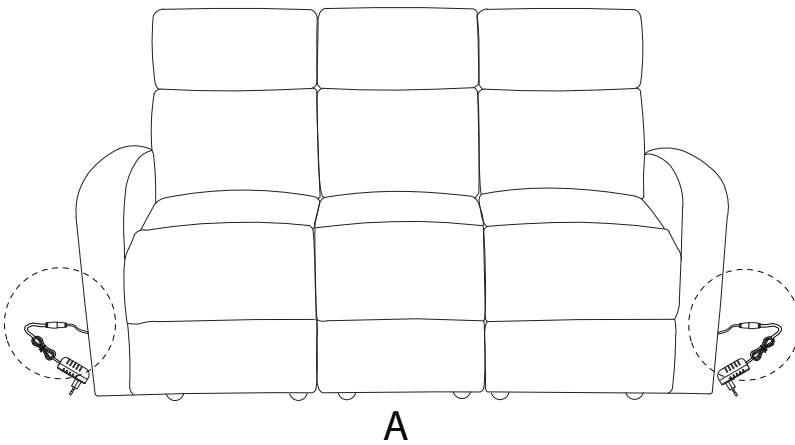
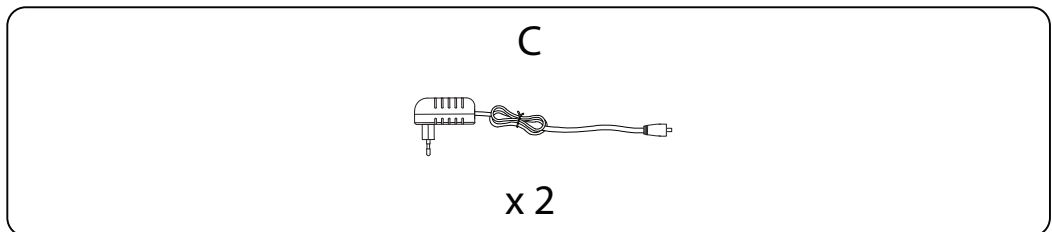


x 2

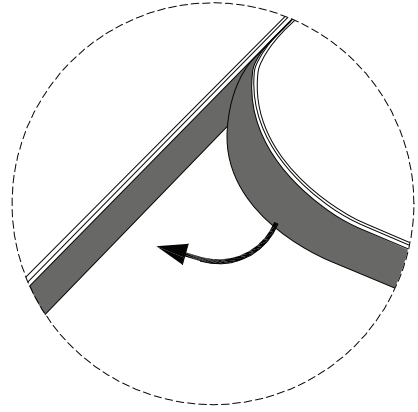
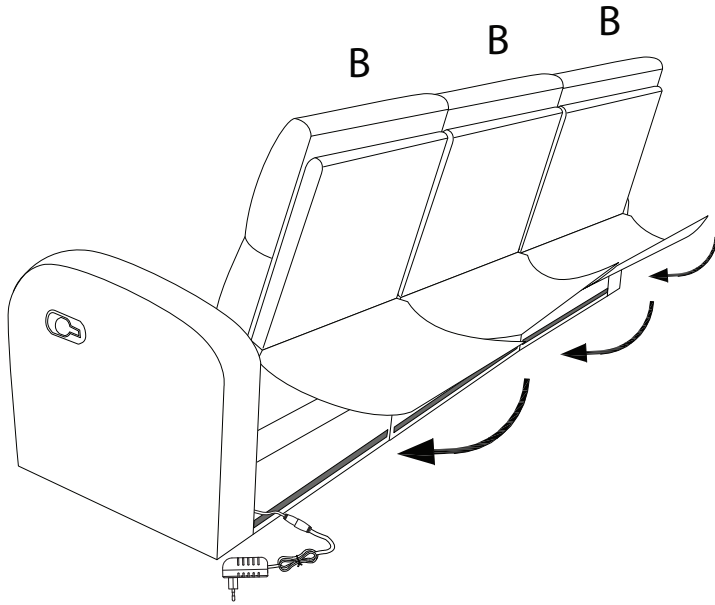
1



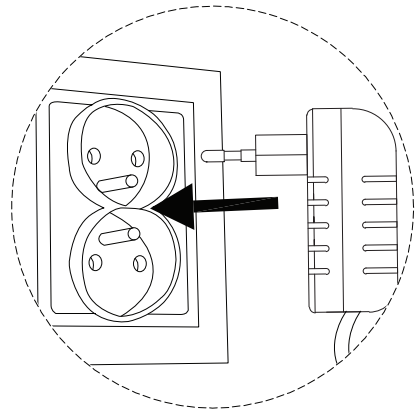
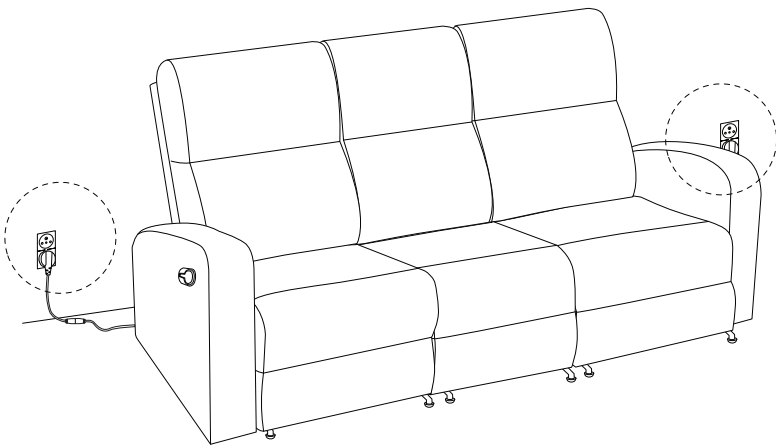
2



3



!



!

