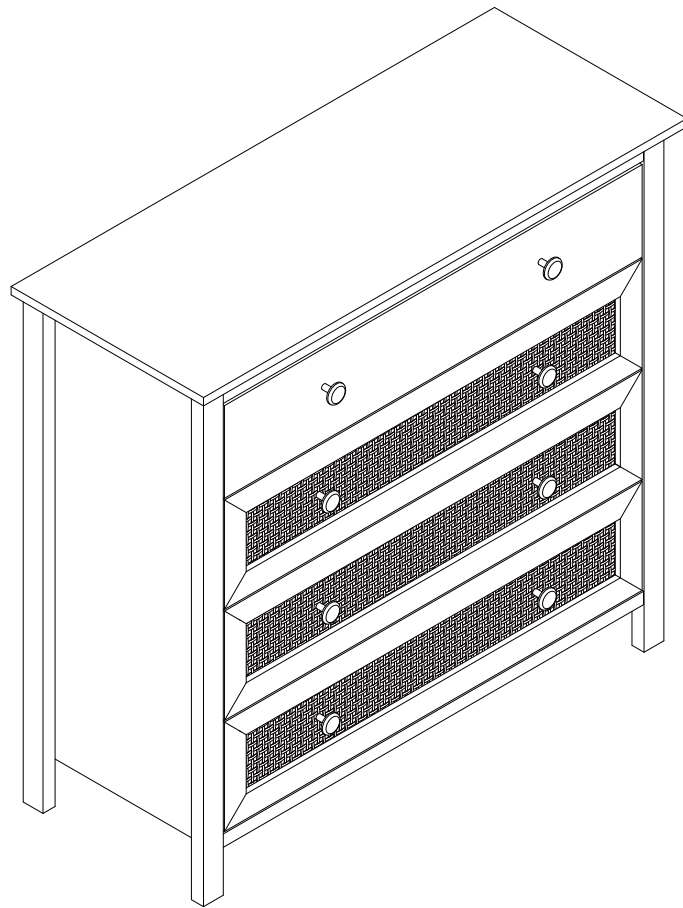


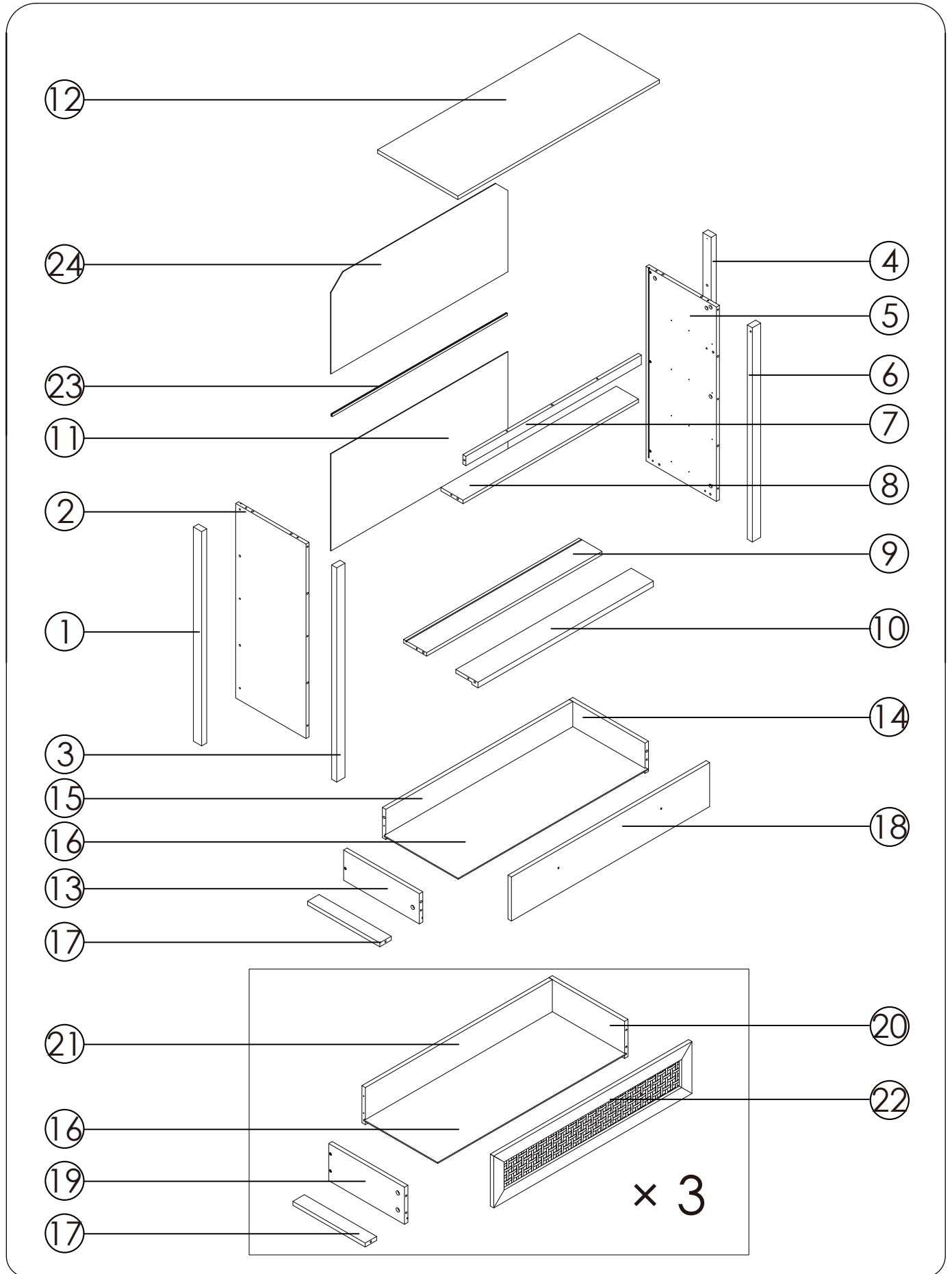
Assembly Manual

Side Buffet Cabinet



Please read this manual carefully before any operation and keep it properly for future use.

Exploded View



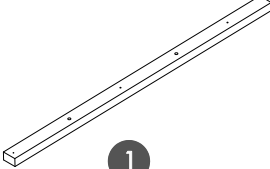
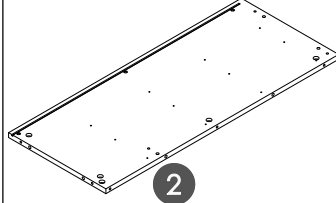
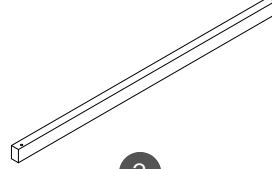
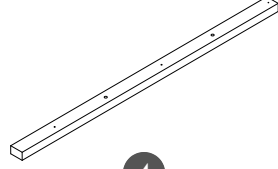
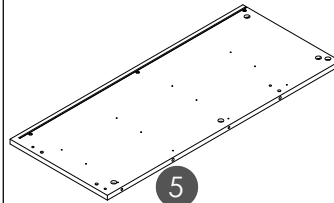
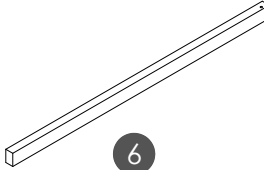
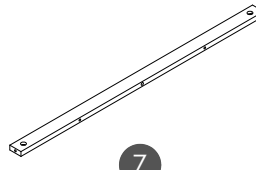
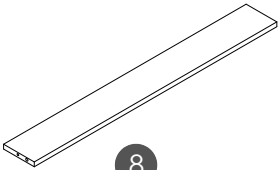
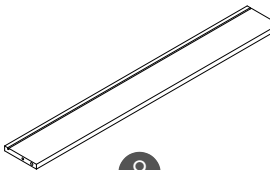
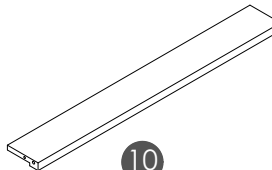
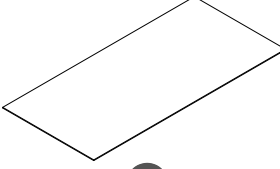
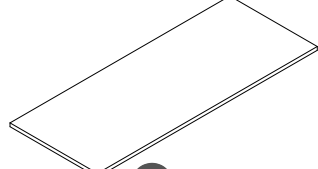
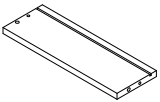
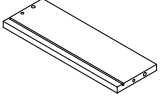
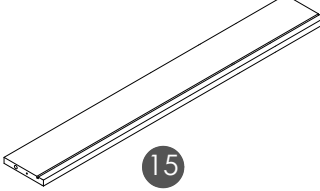
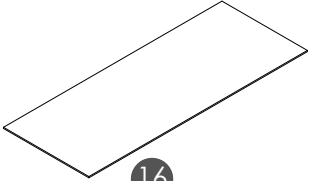
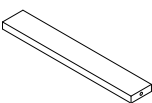
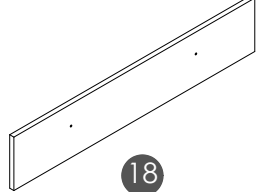
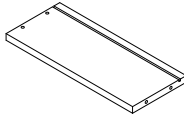
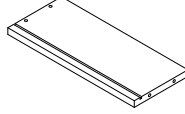
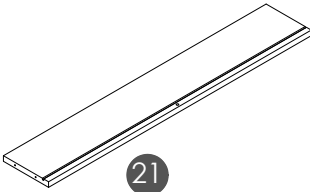
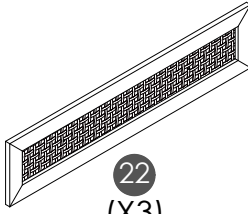
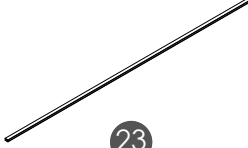
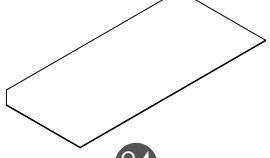
Components List

30 min

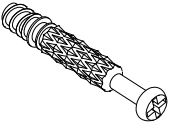
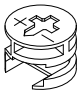
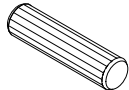
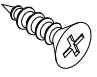
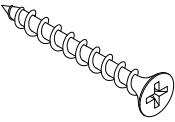
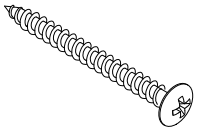

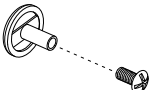
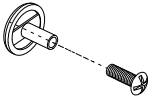

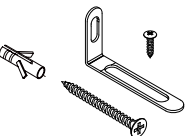
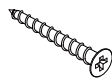
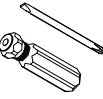
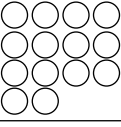

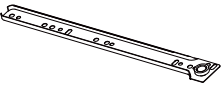
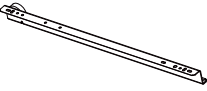
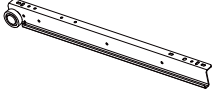
Assembly Time



One People

 <p>1 (X1)</p>	 <p>2 (X1)</p>	 <p>3 (X1)</p>	 <p>4 (X1)</p>
 <p>5 (X1)</p>	 <p>6 (X1)</p>	 <p>7 (X1)</p>	 <p>8 (X1)</p>
 <p>9 (X1)</p>	 <p>10 (X1)</p>	 <p>11 (X1)</p>	 <p>12 (X1)</p>
 <p>13 (X1)</p>	 <p>14 (X1)</p>	 <p>15 (X1)</p>	 <p>16 (X4)</p>
 <p>17 (X4)</p>	 <p>18 (X1)</p>	 <p>19 (X3)</p>	 <p>20 (X3)</p>
 <p>21 (X3)</p>	 <p>22 (X3)</p>	 <p>23 (X1)</p>	 <p>24 (X1)</p>

Components list

A			B			C		
								
Cam lock pin	M7x39	36+2	Klix cam	M15x12	36+2	Wooden dowel	M8x30	23+2
D			E			F		
								
Screw	M3.5x14	48+2	Screw	M5x40	18+2	Screw	M5x50	2+1
G			H			I		
								
Stabilizer	M3x16	10+2	Door knob	M4x10	6	Door knob	M4x19	2
J			K			L		
								
Foot nail		4	Anti-tip kit	M4x14 M4x30	2	Screw	M4x30	6+1
M			N			CL		
								
Screwdriver		1	Decorative sticker		1	Left slide track		4
CR			DL			DR		
								
Right slide track		4	Left drawer slide		4	Right drawer slide		4

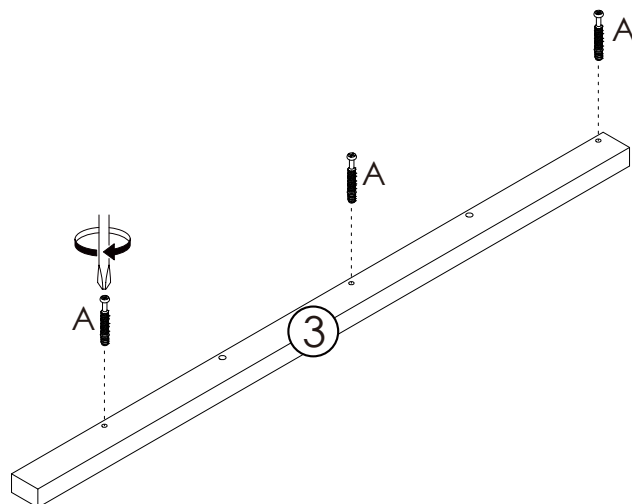
Note:

- (1) The number after "+" sign indicates the extra piece(s).
- (2) How to use the 2-in-1 screwdriver with interchangeable Phillips and flat head bits:
 - (a) Insert the desired bit end (Phillips or flat head) into the handle and push firmly until it clicks into place. To remove the bit, push and hold the spring-loaded ring on the handle towards the base. This will release the bit from the handle.
 - (b) While still depressing the ring, pull the bit out of the handle. To replace with the opposite bit end, insert it into the handle until it clicks into the locking position. Make sure the bit is fully inserted before use.

Assembly Instruction

STEP 1

Insert cam lock pins(A) into the board(3) using screwdriver(M).



A*3



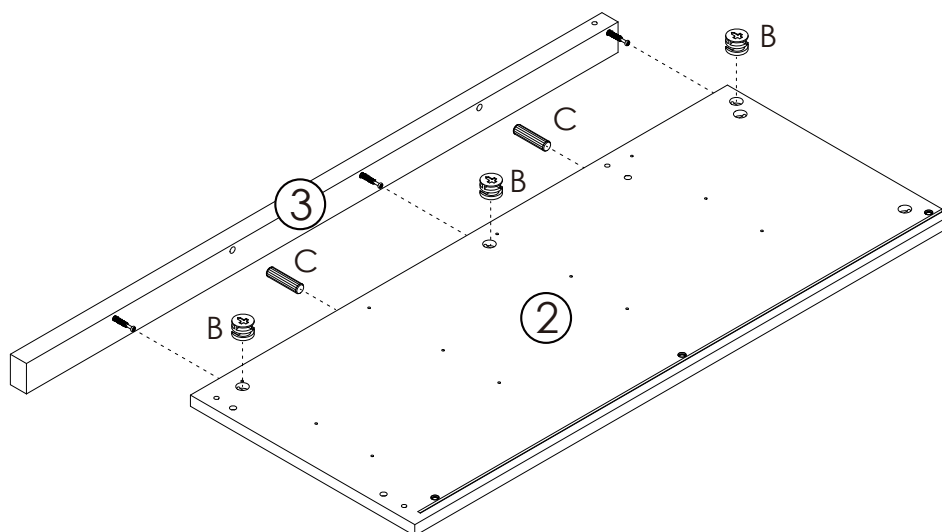
M*1



3*1

STEP 2

Insert the wooden dowels(C) and the klix cams(B) into the board(2), then attach the board(3) to the board(2), lock them tightly using screwdriver(M).



B*3



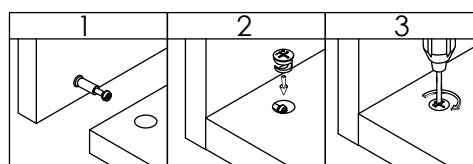
C*2



M*1



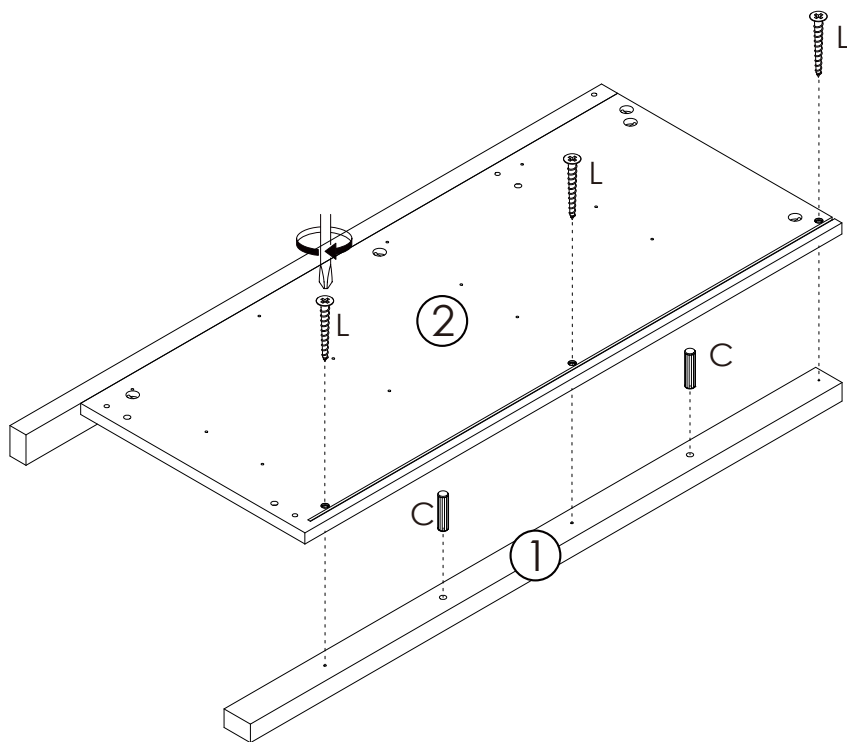
2*1



Assembly Instruction

STEP 3

Insert the wooden dowels(C) into the board(1) and attach board(1) to the board(2) using screws(L).



C*2



L*3



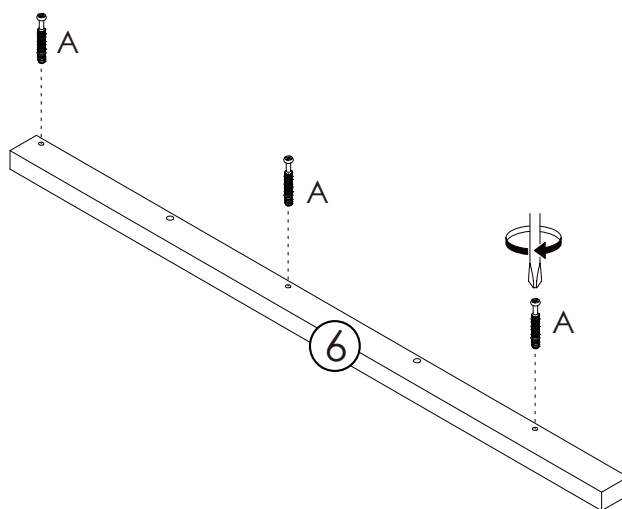
M*1



1*1

STEP 4

Insert cam lock pins(A) into the board(6) using screwdriver(M).



A*3



M*1

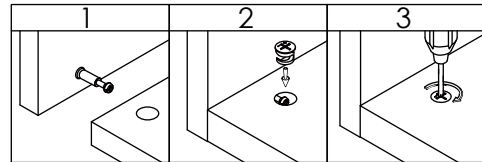
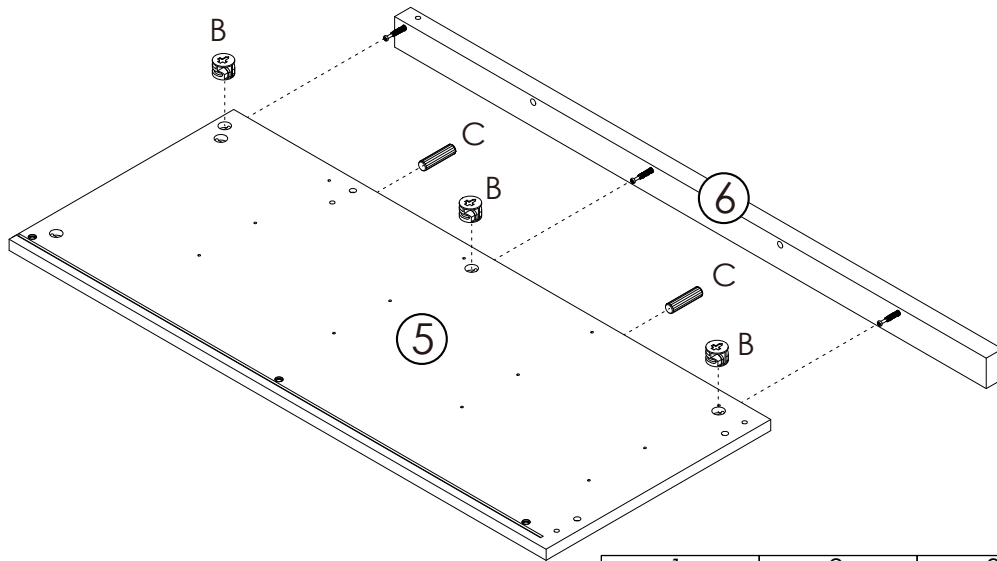


6*1

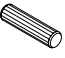
Assembly Instruction

STEP 5


Insert the wooden dowels(C) and the klix cams(B) into the board(5), then attach the board(6) to the board(5), lock them tightly using screwdriver(M).



 B*3

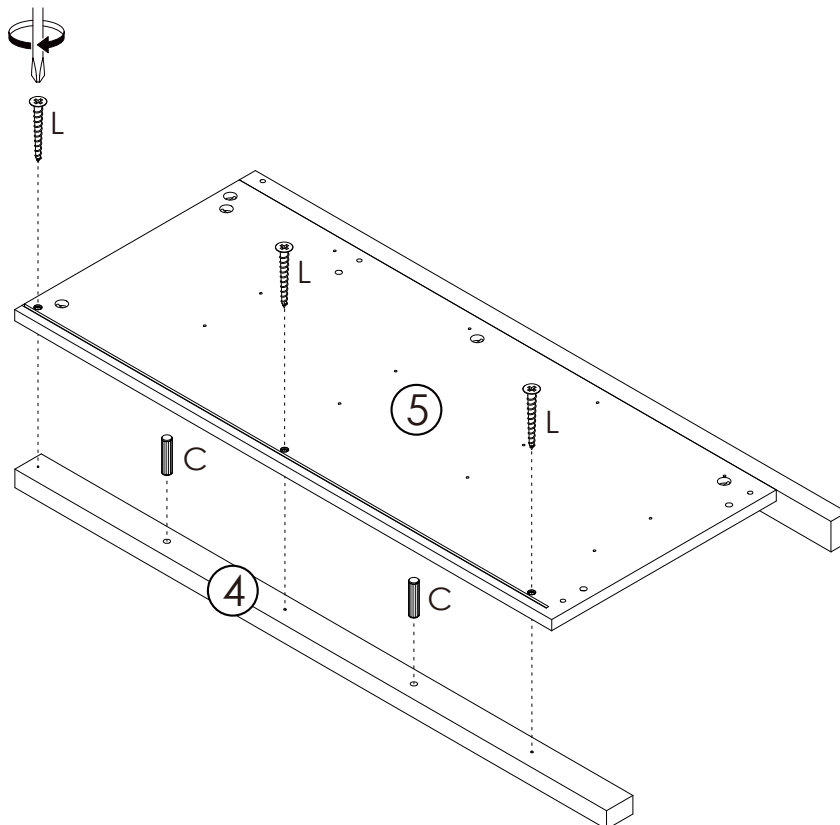
 C*2

 M*1

 5*1

STEP 6


Insert the wooden dowels(C) into the board(4) and attach board(4) to the board(5) using screws(L).



 C*2

 L*3

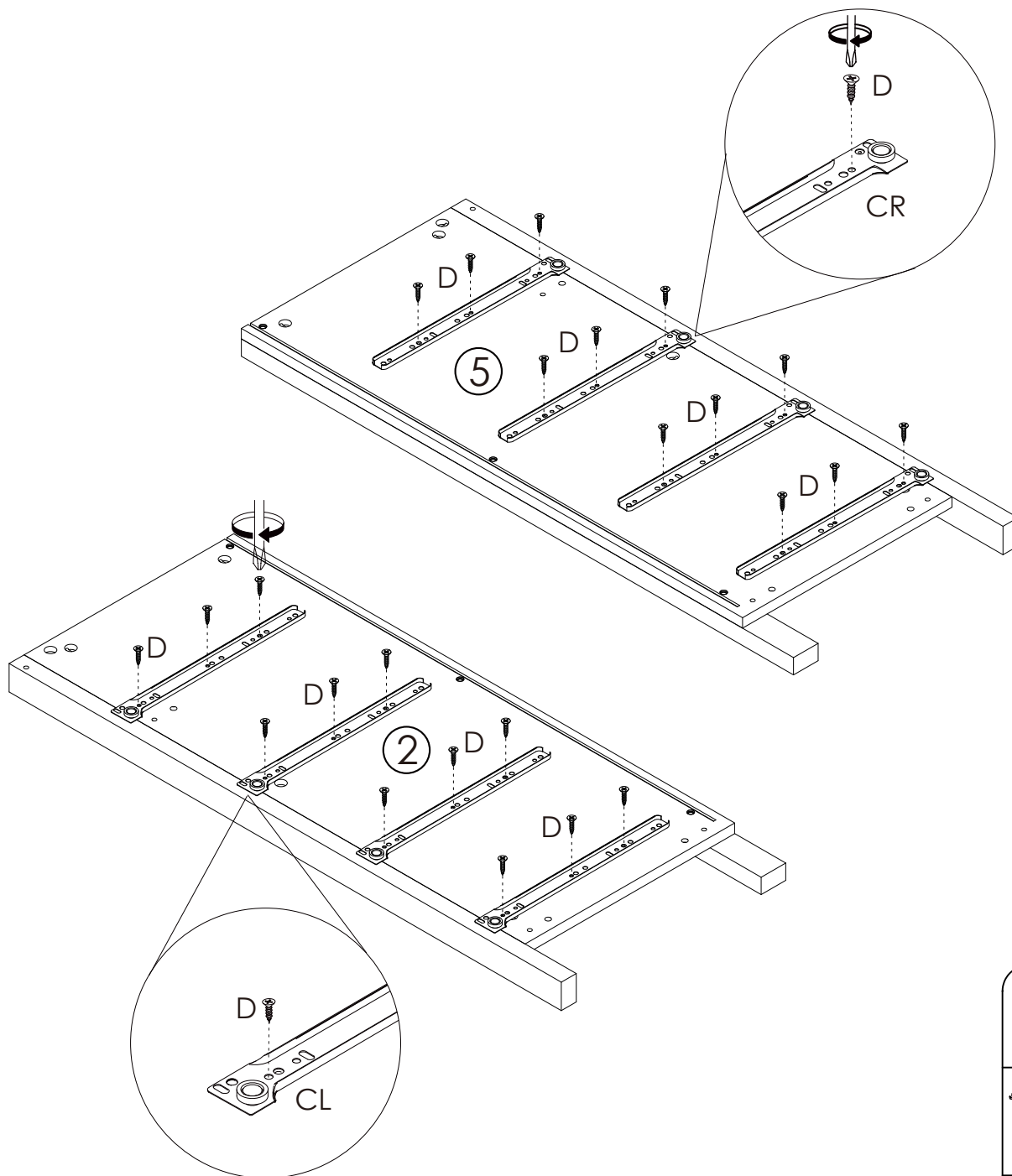
 M*1

 4*1

Assembly Instruction

STEP 7

Attach right slide track(CR)to the board(5) using screws(D), and Attach left slide track(CL)to the board(2) using screws(D).

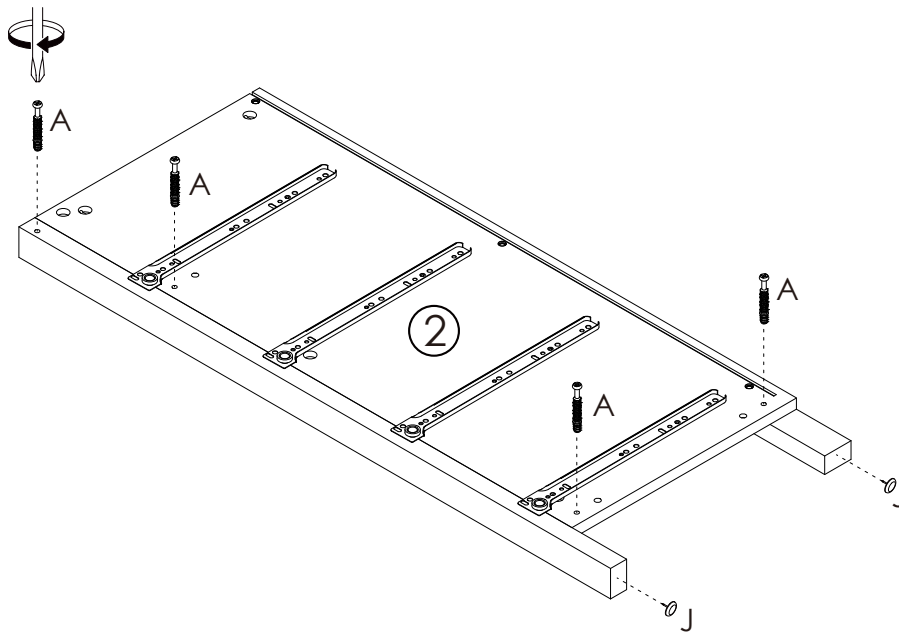


-  D*24
-  CL*4
-  CR*4
-  M*1

Assembly Instruction

STEP 8

Insert cam lock pins(A) into the board(2), and attach foot nails(J) to the bottom of board(2).



A*4



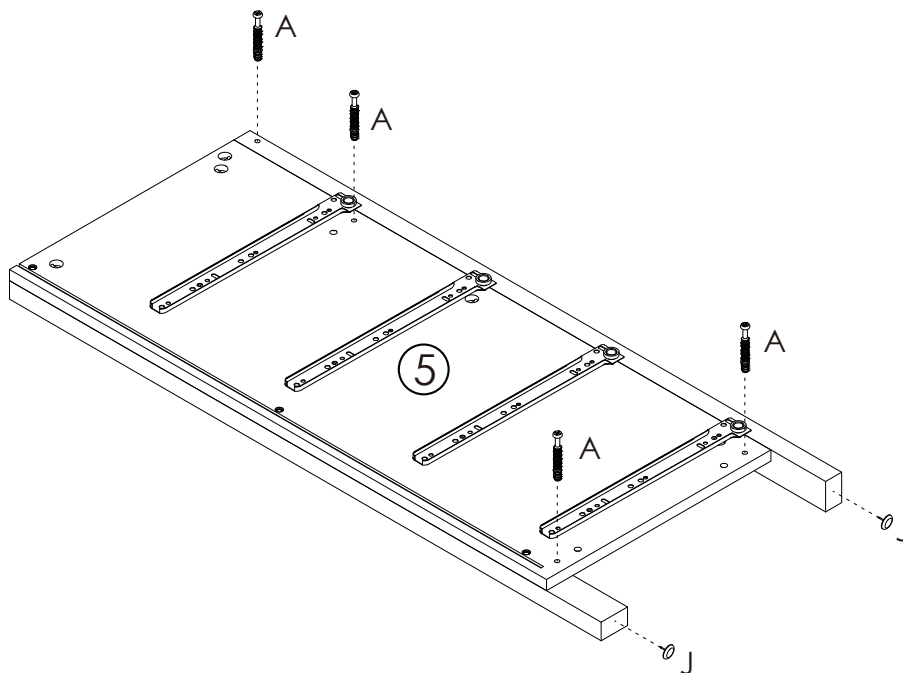
J*2



M*1

STEP 9

Insert cam lock pins(A) into the board(5), and attach foot nails(J) to the bottom of board(5).



A*4



J*2

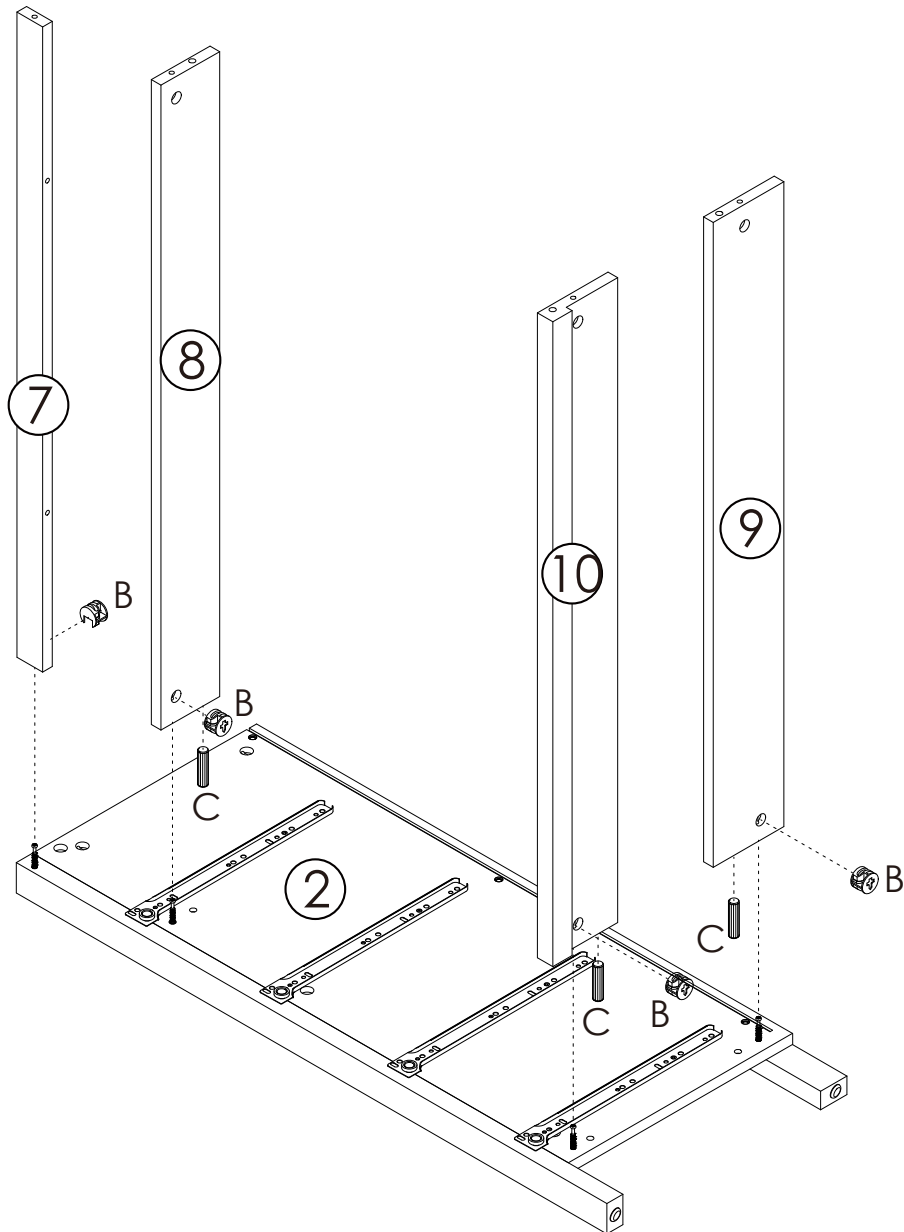


M*1


Assembly Instruction

STEP 10

Insert the wooden dowels(C) and the klix cams(B) into the boards(7,8,9&10), then attach the boards((7,8,9&10)to the board(2), lock them tightly using screwdriver(M).





B*4



C*3

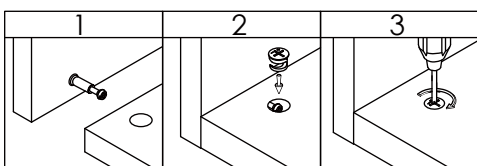

M*1


7*1


8*1


9*1

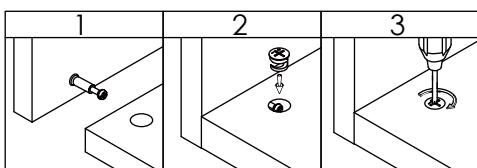
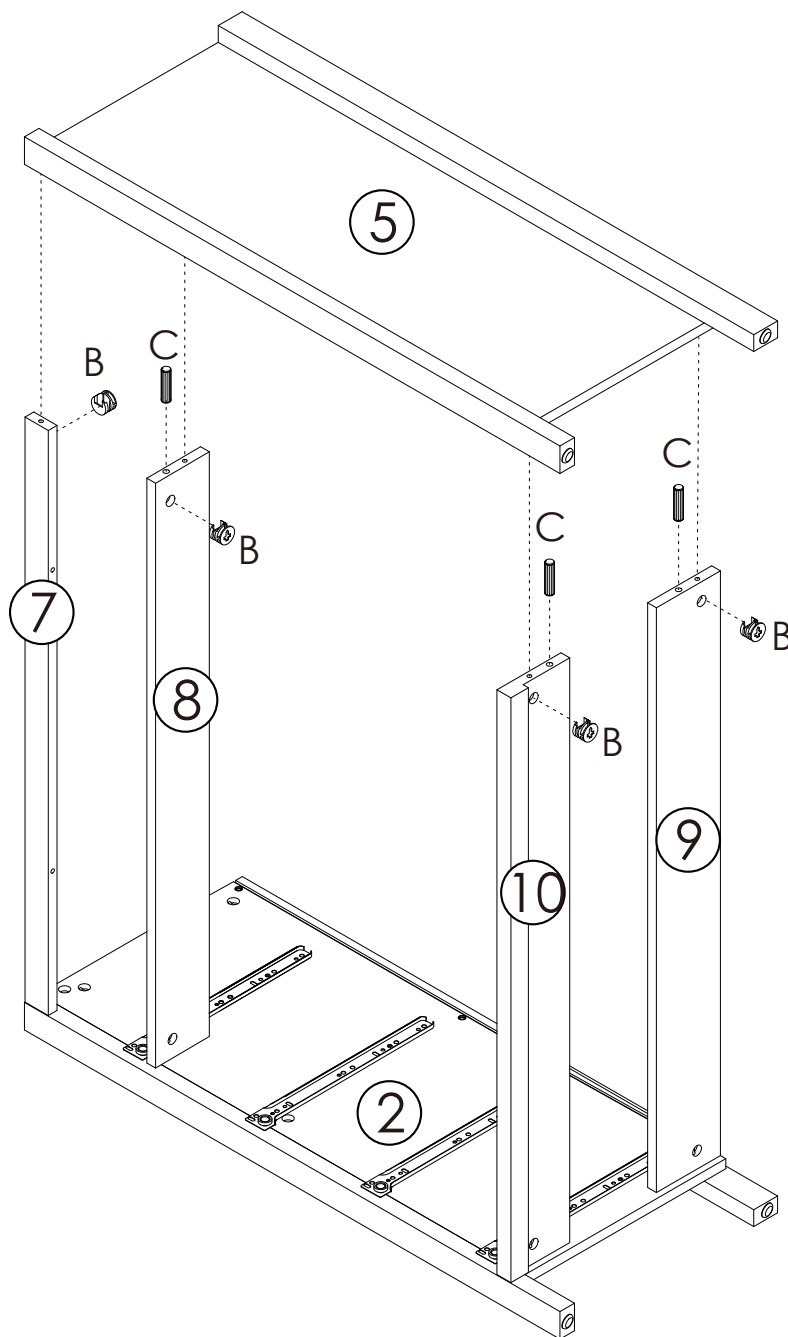

10*1



Assembly Instruction

STEP 11

Insert the wooden dowels(C) and the klix cams(B) into the boards(7,8,9&10), then attach the boards((7,8,9&10)to the board(5) , lock them tightly using screwdriver(M).



B*4



C*3

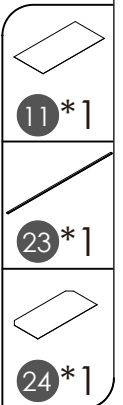
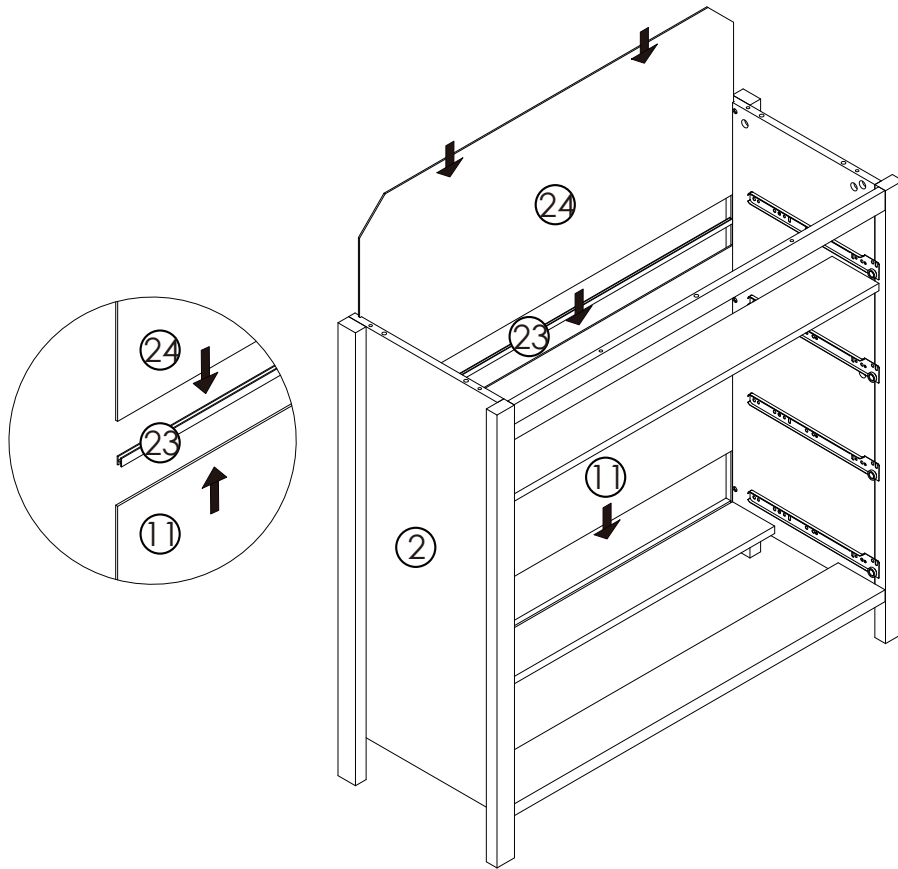


M*1

Assembly Instruction

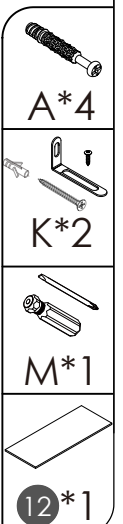
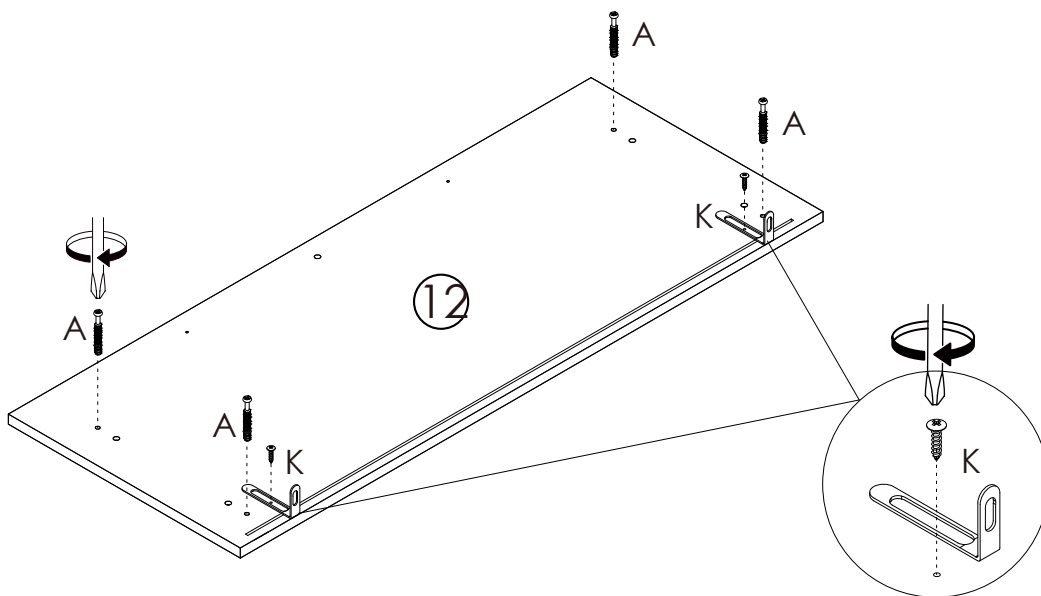
STEP 12

Connect back boards(11&24) using plastic back board strip(23), and slide back boards into the slot of bottom and side board.



STEP 13

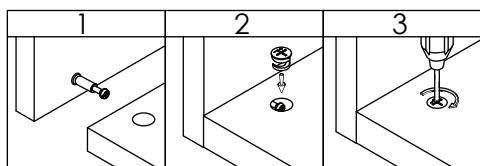
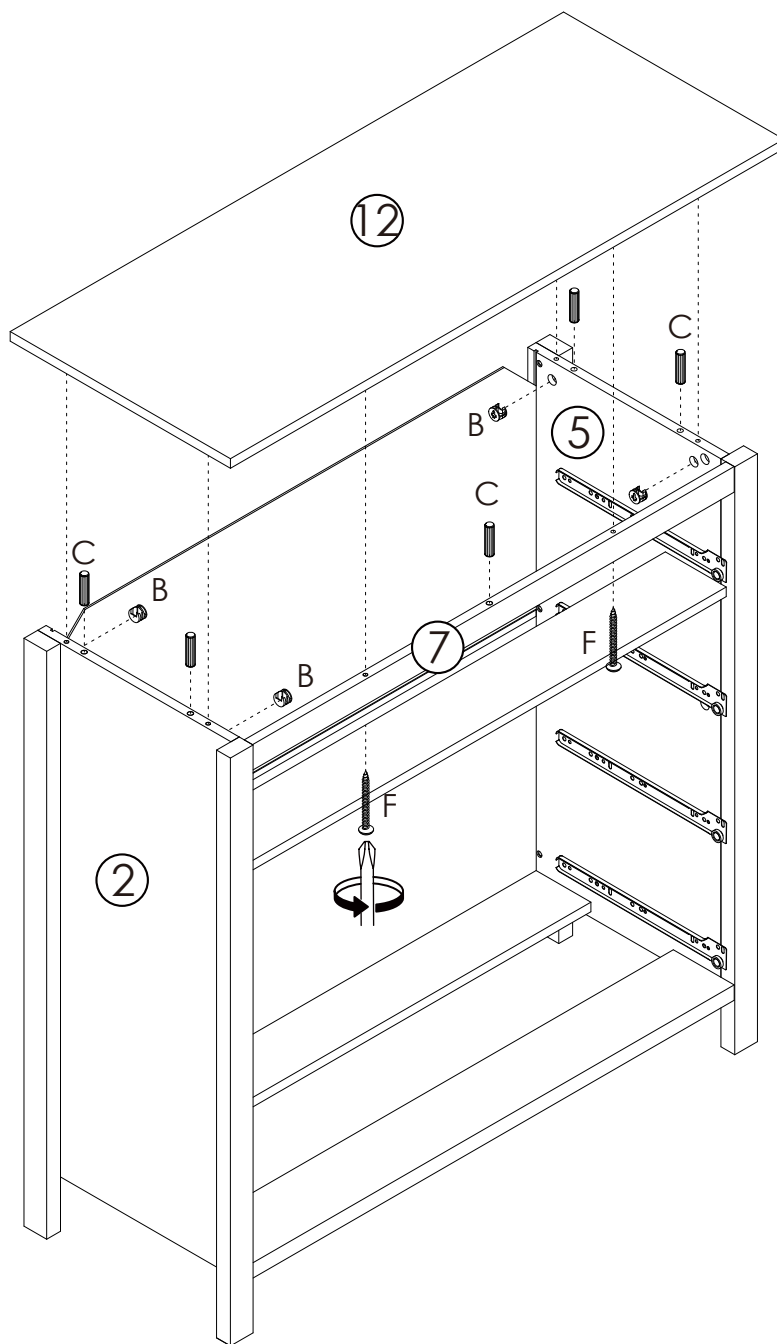
Attach anti-tip kits(K) to top board(12) using screws and screwdriver(M), and insert cam lock pins(A) into the board(12) using screwdriver(M).



Assembly Instruction

STEP 14

Insert the wooden dowels(C) and the klix cams(B) into the boards(2,5&7), then attach the board(12)to the boards(2,5&7) , lock them tightly using screwdriver(M). Attach board(7) to top board(12) using screws(F).



B*4



C*5



F*2

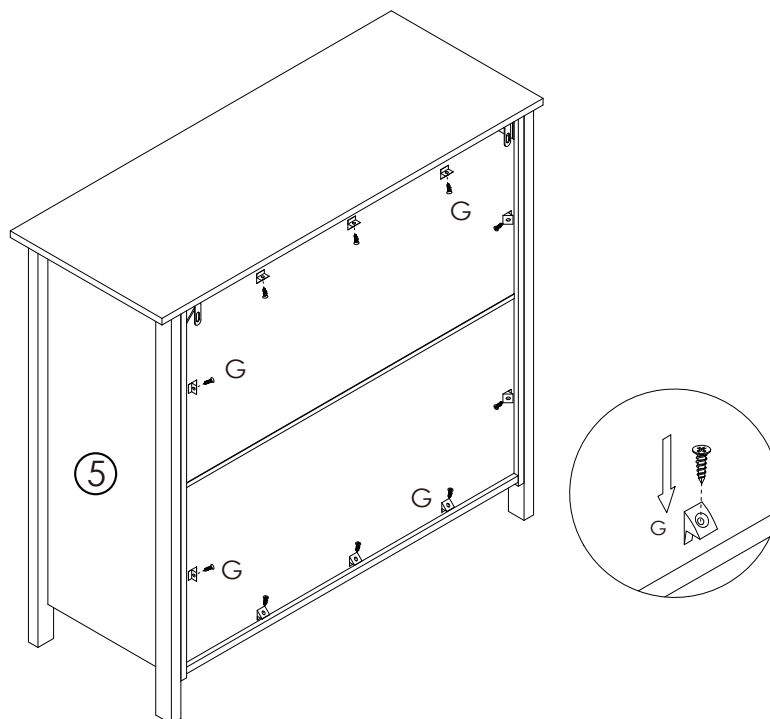


M*1

Assembly Instruction

STEP 15

Attach stabilizers(G) to the back board using screwdriver(M).



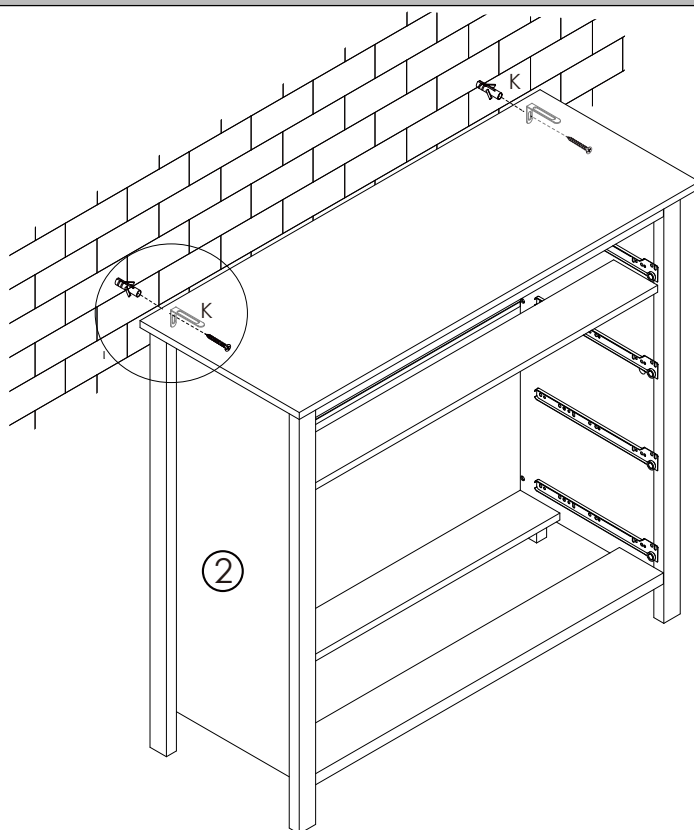
G*10



M*1

STEP 16

Attach anti-tip kits(K) to the wall.



K*2

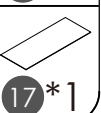
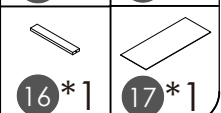
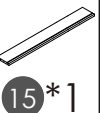
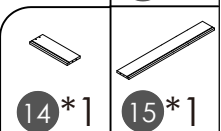
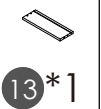
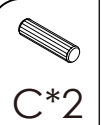
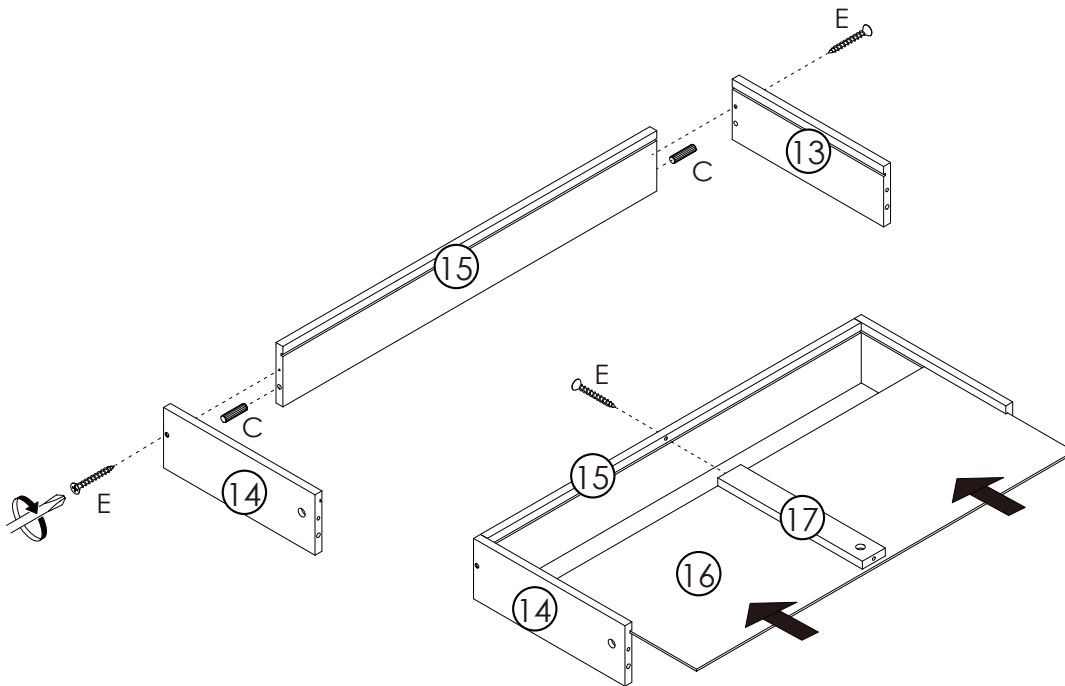


M*1

Assembly Instruction

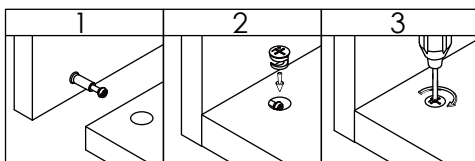
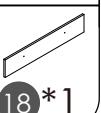
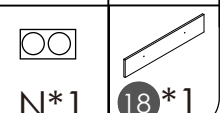
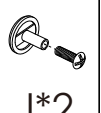
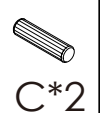
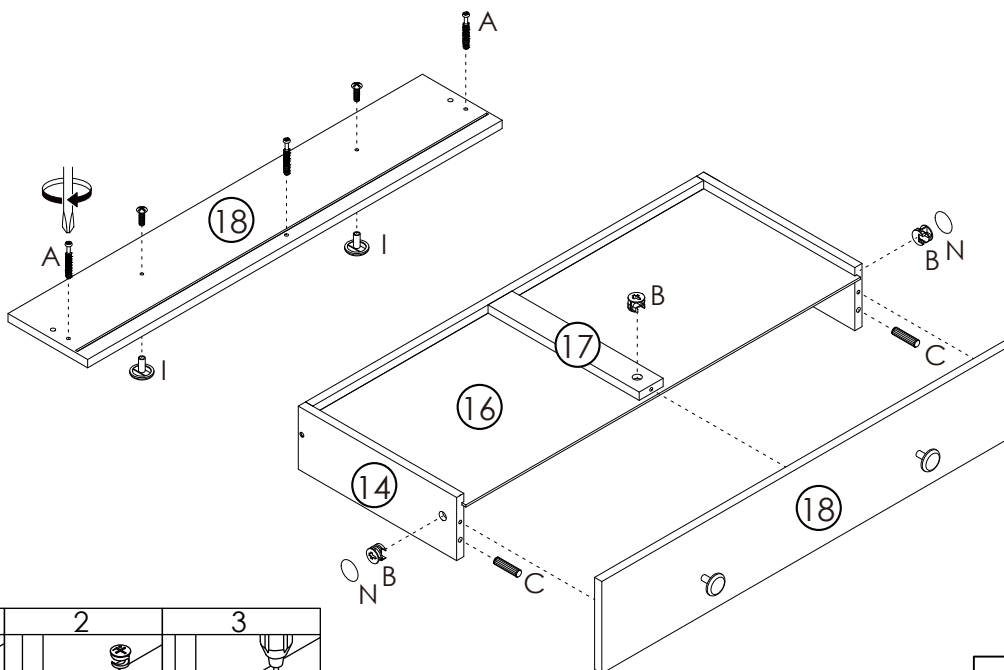
STEP 17

Insert the wooden dowels(C) into the board(15), and attach boards(13&14) to the board(15) using screws(E).Slide the board(16) into the slot of boards(13,14&15) and attach board(17) to the board(15) using screws(E).



STEP 18

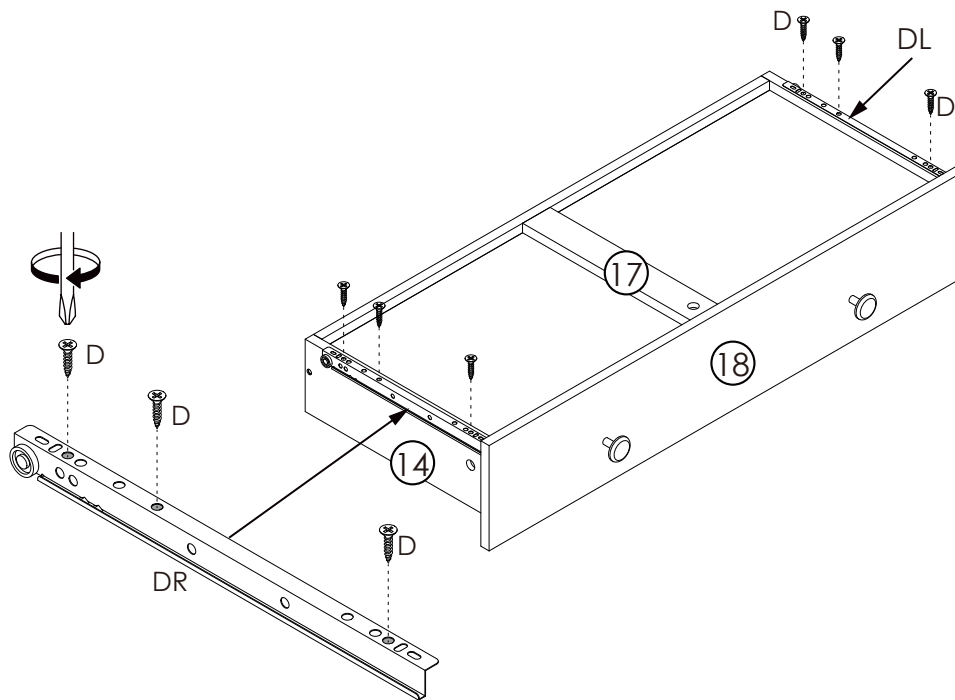
Insert cam lock pins(A) into the board(18) using screwdriver(M),and attach handles (I) to the board(18). Insert the wooden dowels(C) and the klix cams(B) into the boards (13&14), then attach the board(18)to the boards(13,14&17) , lock them tightly using screwdriver(M). Stick the stickers(N) to the hole of klix cams.



Assembly Instruction

STEP 19

Attach drawer slide(DL&DR) to the boards(13&14) using screws(D) and screwdriver(M).



D*6



DL*1



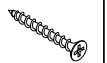
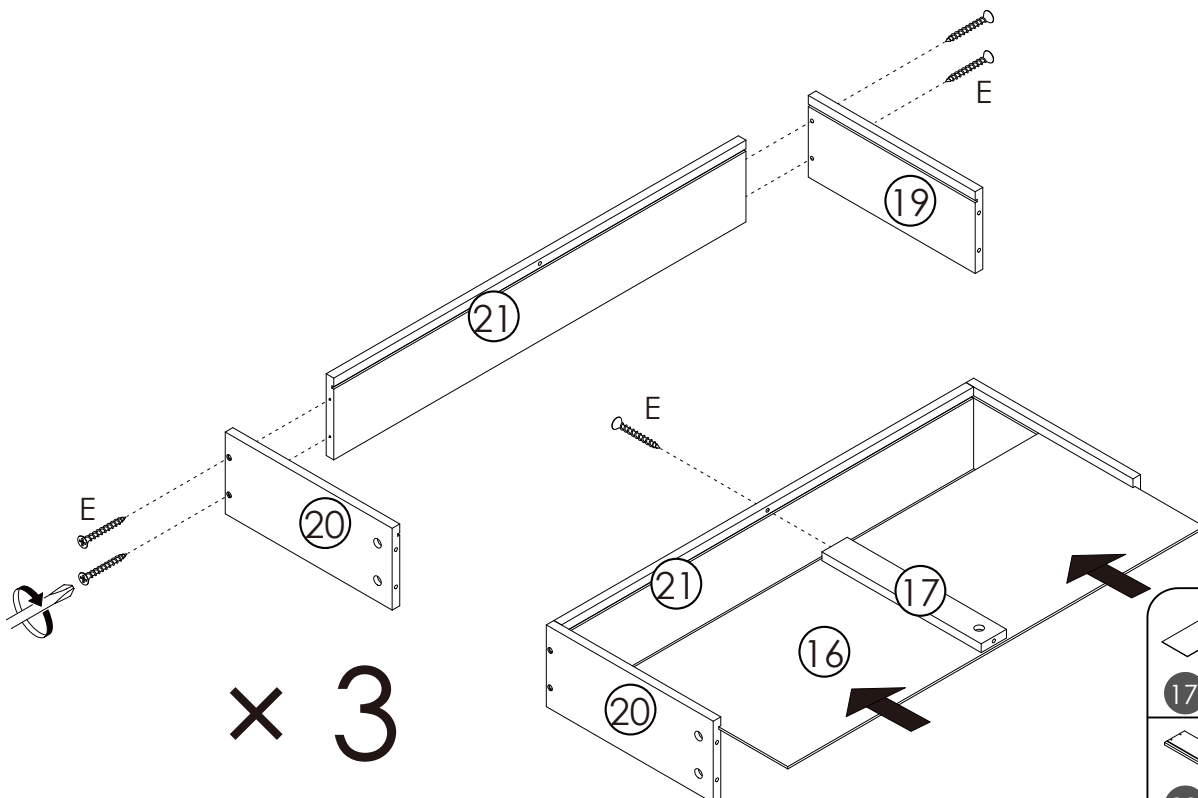
DR*1



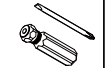
M*1

STEP 20

Attach the board(21) to the boards(19&20) using screws(E).Slide the board(16) into the slot of the boards(19,20&21),and attach the board(17)to the board(21) using screws(E).



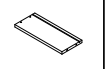
E*12



M*1



16*3



17*3



19*3



20*3



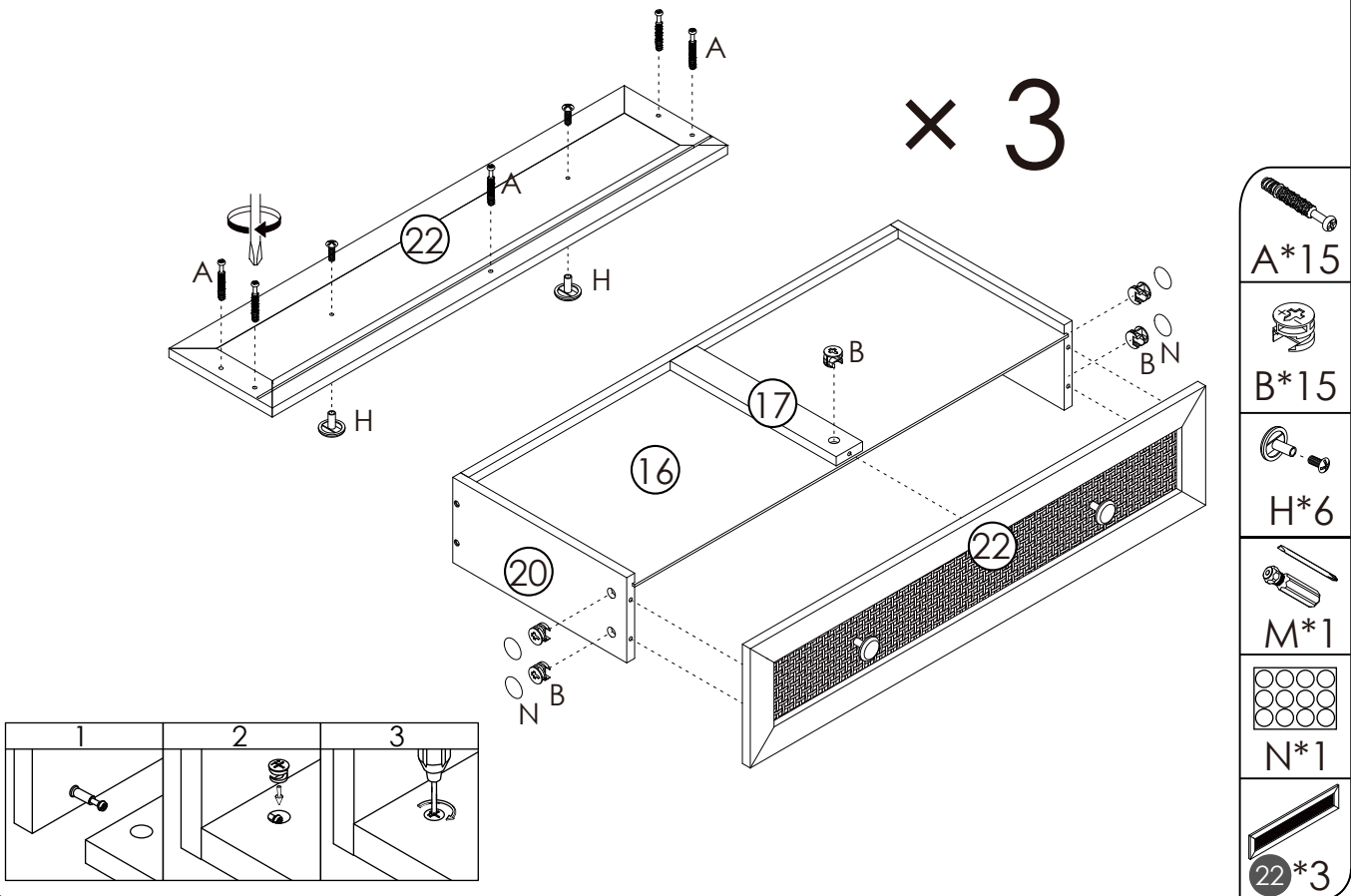
21*3

× 3

Assembly Instruction

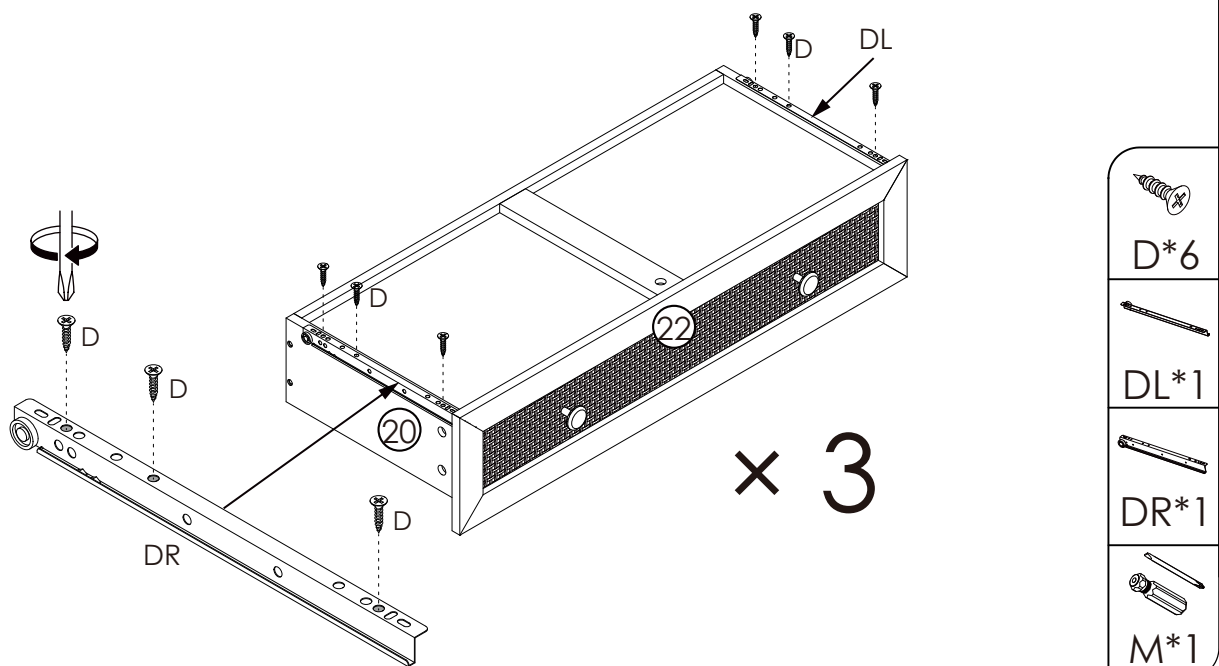
STEP 21

Insert cam lock pins(A) into the board(22) and attach handles (H) into the board(22) using screwdriver(M). Insert the klix cams(B) into the boards(17,19&20), and attach the board(22) to the boards(17,19,20). Stick the stickers (N) to the hole of klix cams.



STEP 22

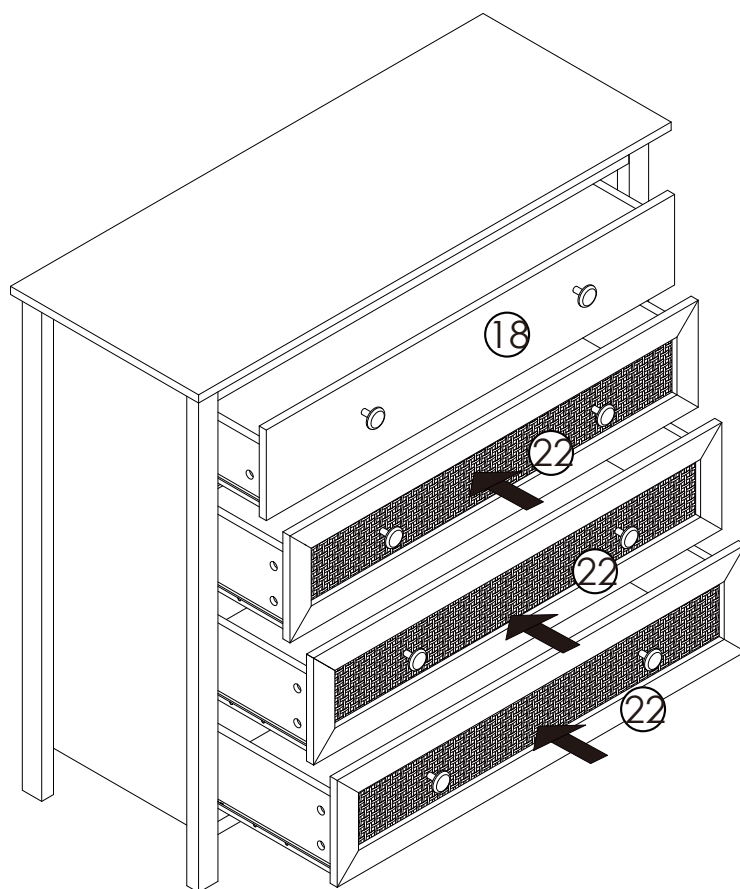
Attach drawer slide(DL&DR) to the boards(19&20) using screws(D) and screwdriver(M).



Assembly Instruction

STEP 23

Push the drawers into the cabinet frame and the assembly is done.



Warning

- Please keep the product away from children while assembling.
- Do not let children play or jump on the product.
- Do not stand on the item or use it as a step ladder.
- Prior to use, please check for any loosening screws or parts.
- Make sure that each screw and part is correctly installed and securely fastened.

Care and Maintenance

- Use a soft clean cloth that will not scratch the surface when dusting.
- There's no need to use furniture polish, you need to, test it first in an inconspicuous area.
- Using solvents of any kind on your furniture may damage the finish.
- Never use water to clean your furniture as it may cause damage to the finish.
- Liquid spills should be removed immediately.
- Gently blot the spill with a soft, clean cloth to avoid rubbing.

Further advice about the furniture care

- It is best to keep your furniture in a climate-controlled environment.
- Extreme temperatures and humidity changes can cause fading, warping, shrinking and spitting of wood.
- We recommend keeping furniture from sunlight exposure to avoid possible surface damage.
- Proper maintenance and cleaning at home will extend the life of your purchase.
- Following these important and helpful tips will help retain your furniture's performance even it ages.
- Periodically (every 90 days), make sure the screws are fully tightened.

Warmly after-sales service

- Please check all the hardware and furniture before assembling.
- If anything is missing, please feel free to contact us. If you only leave a message on the platform, we may not be able to effectively solve the problem.
- Timely communication helps us understand your situation and provides you with the best shopping experience.

Have a question for our company?

Thank you for supporting our company.

- If you have any issues with your purchase, please feel free to let us know.
- We will always do our best to work out a solution that you will be happy with.

Return Policy

Length of return period:

Items can be returned within 30 days of receipt of shipment. Who is responsible for the return shipping fee?

We will cover the return shipping fees if:

1. The item received is damaged or defective.
2. The wrong item was shipped to you.
3. The item received is materially different from what was described on the product page.

If the return is for any other reason, the customer will be responsible for the return shipping fees.

However, we always hope to work with you to find a better solution instead of a return. Please don't hesitate to contact us.

If the return is due to reasons other than the ones listed above, the customer will be responsible for the return shipping fees, if:

1. You are not satisfied with the product(s) after receiving the box(es).
2. You no longer need the product(s), but you have already received the box(es).
3. You purchased the product(s) by mistake, but you have already received the box(es).
4. Before FedEx picks up the package, please make sure that everything is returned to the original packaging and that the prior opening will not affect the reselling of the product.

You can try to get Amazon prepaid labels for UPS express return. Alternatively, we can provide prepaid shipping labels after you provide photos of the package before and after repackaging. Just stick the label on the box and call FedEx to pick it up.

When will I be refunded?

The refund will be issued once the goods have been received and processed at our warehouse. If you have any questions, please don't hesitate to contact us, and we will work with you to find a solution that ensures your satisfaction.