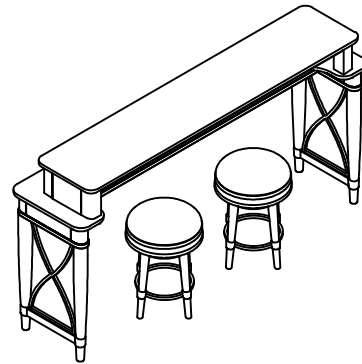


ASSEMBLY INSTRUCTIONS



181-587

Figure 1

TOOLS REQUIRED:

Allen Wrench (Provided, Part F)

BEFORE YOU START:

1. Check the hardwares against the hardware list to make sure all items are present.
2. Assemble your furniture on a soft, flat surface to avoid scratching the finish.
3. **CAUTION:** Do not over tighten screws, nuts or bolts during assembly.
4. Your furniture may require occasional tightening.

INSTRUCTIONS:

1. Turn the table top upside down on a clean soft surface.
2. Screw four legs up to the table top tightly as shown in Figure 1.
3. Place the stretchers to the leg and screw the feet to the stretchers to attach the legs as shown in Figure 2.
3. Insert the metal frame between legs and tighten Bolt (C) with Lock Washer (D) and Flat washer (E) by Allen Wrench (F) as shown in Figure 3.
4. Tighten Bolt (A) by Allen Wrench (F) as shown in Figure 4.

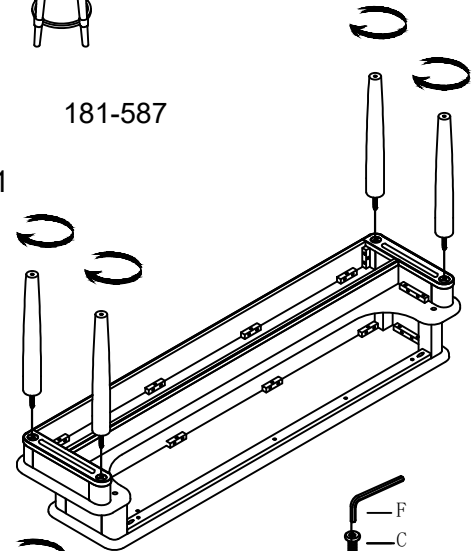


Figure 2

Figure 3

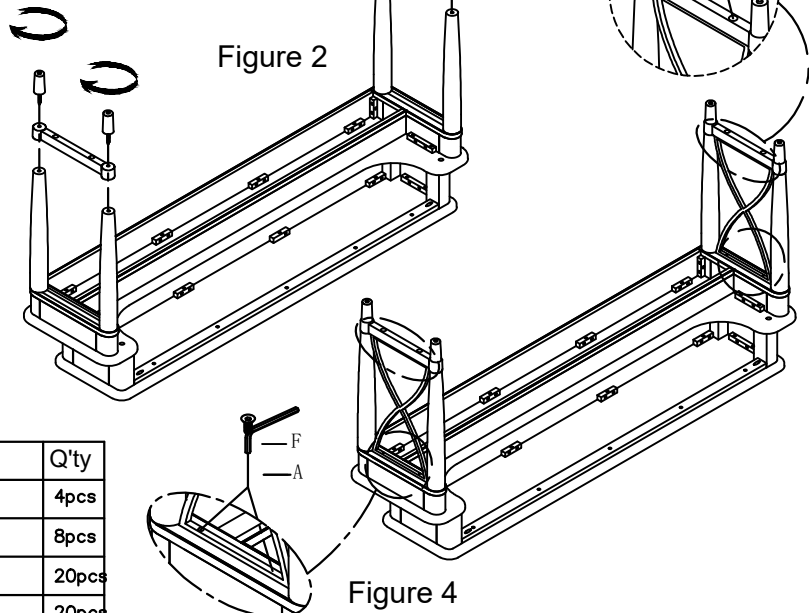
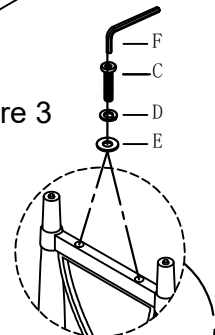



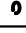
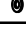
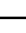


Figure 4

No.	HARDWARE LIST		Q'ty
A		Bolt (Ø1/4"x1")	4pcs
B		Bolt (Ø1/4"x1-1/4")	8pcs
C		Bolt (Ø1/4"x1-3/8")	20pcs
D		Lock Washer (Ø1/4")	20pcs
E		Flat Washer (Ø1/4"*16*1.5mm)	20pcs
F		Allen Wrench (100*50*4mm)	1pc

ASSEMBLY INSTRUCTIONS

INSTRUCTIONS:

5. Turn the bar seat upside down on a clean soft surface.

6. Attach 3 legs to the seat frame and tighten Bolt (C) with Lock Washer (D) and Flat Washer (E) by Allen Wrench (F) as shown in Figure 5.

7. Attach the bottom frame to the leg and tighten Bolt (B) by Allen Wrench (F) as shown in Figure 6.

8. Attach the fourth leg to the seat frame and tighten Bolt (C) with Lock Washer (D) and Flat Washer (E) by Allen Wrench (F) as shown in Figure 7.

9. Tighten the fourth leg and bottom frame with Bolt (B) by Allen Wrench (F) as shown in Figure 8.

Figure 5

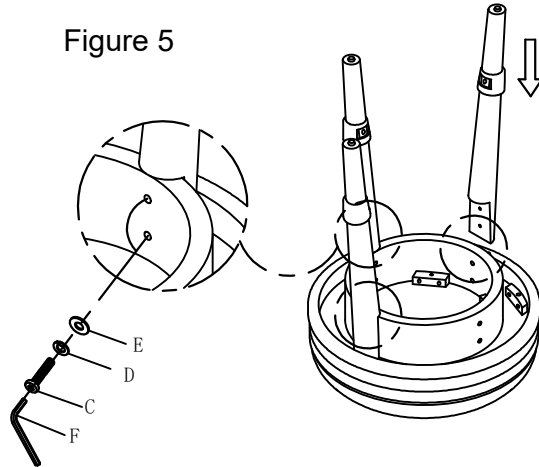


Figure 6

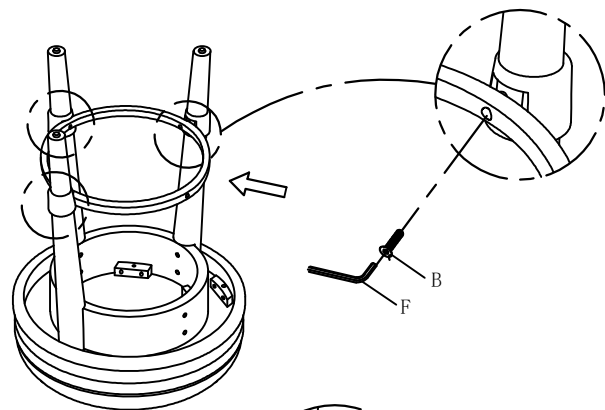


Figure 8

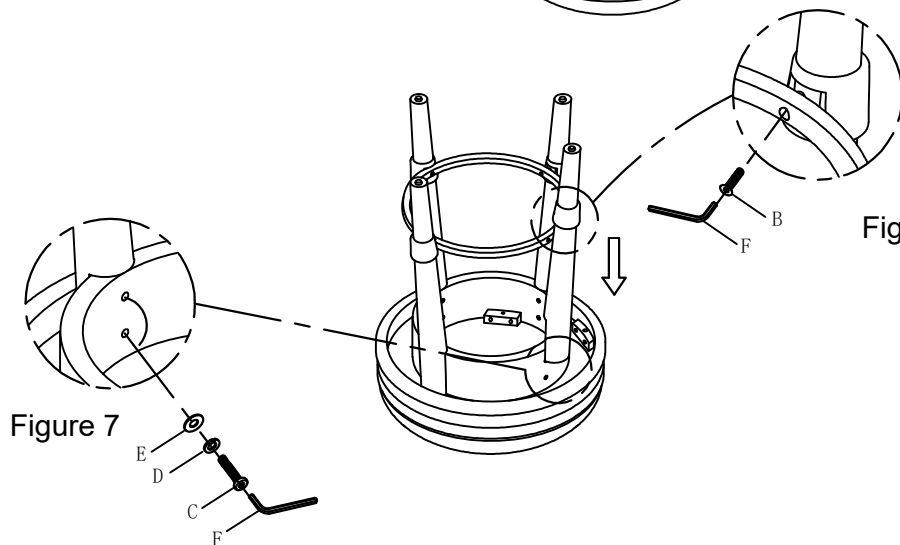


Figure 7