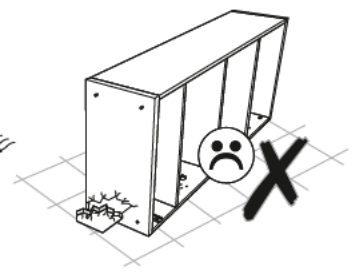
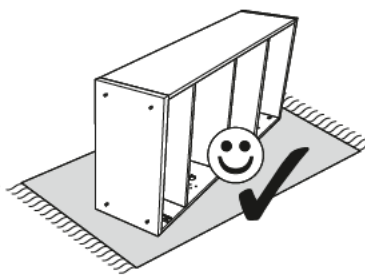
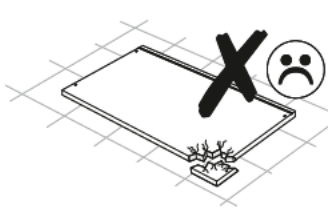
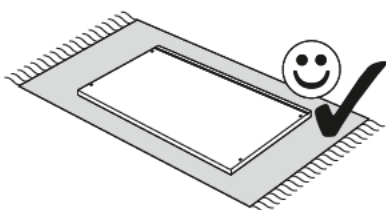
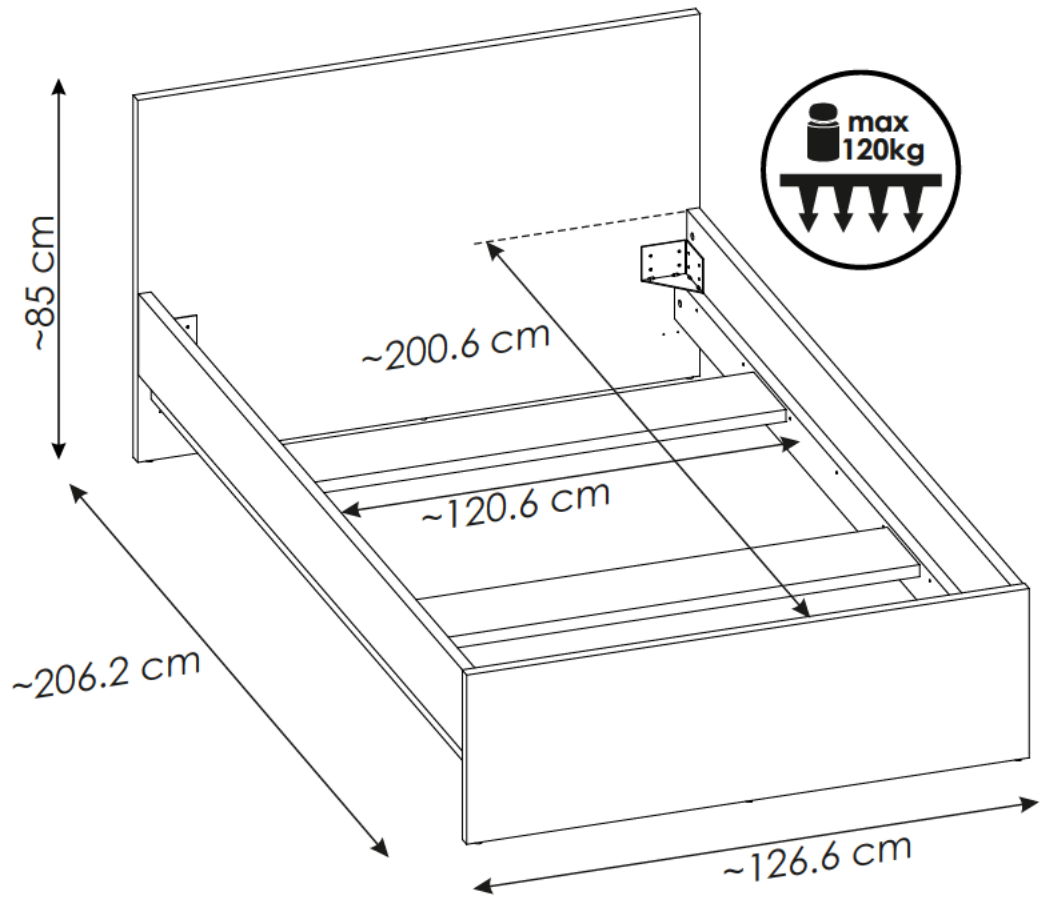
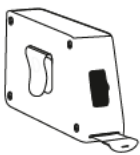
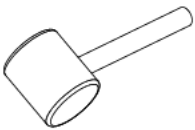
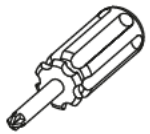
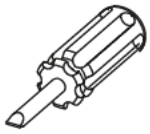
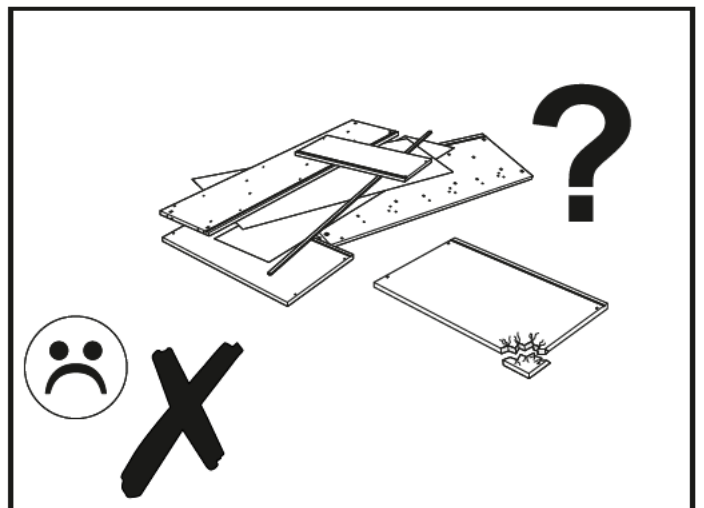
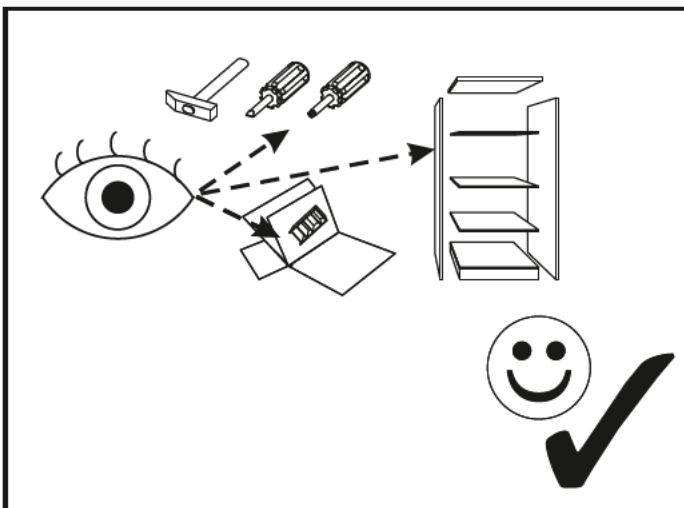
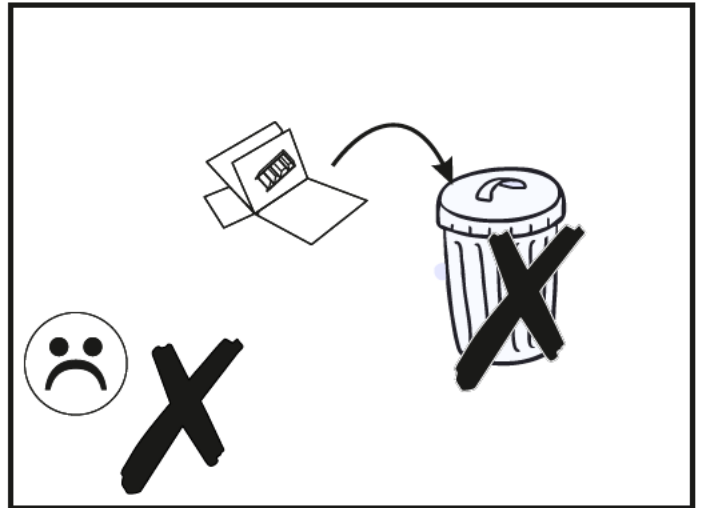
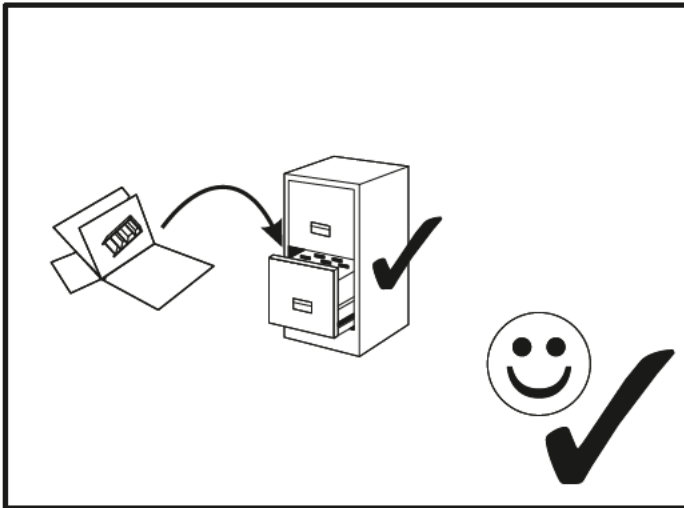
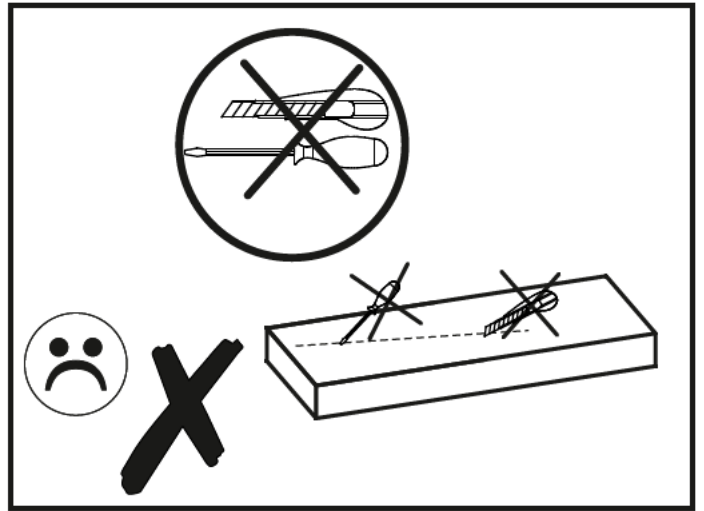
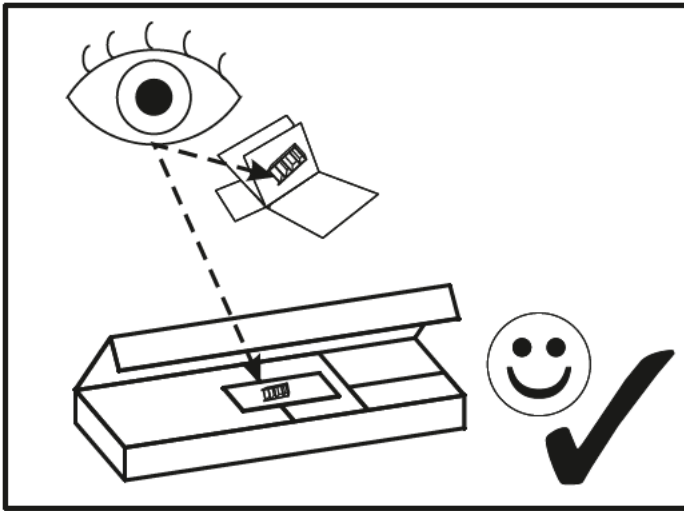
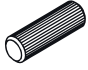


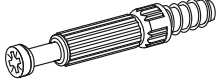
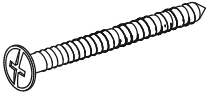
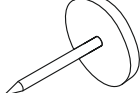
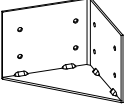


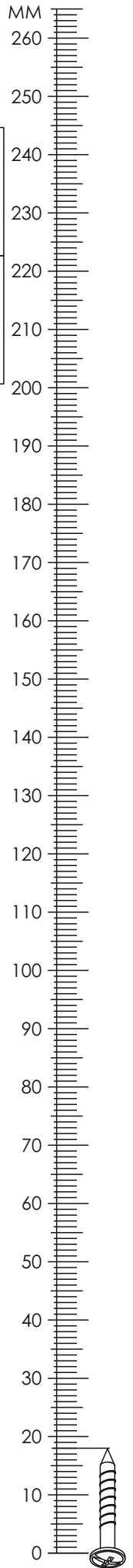


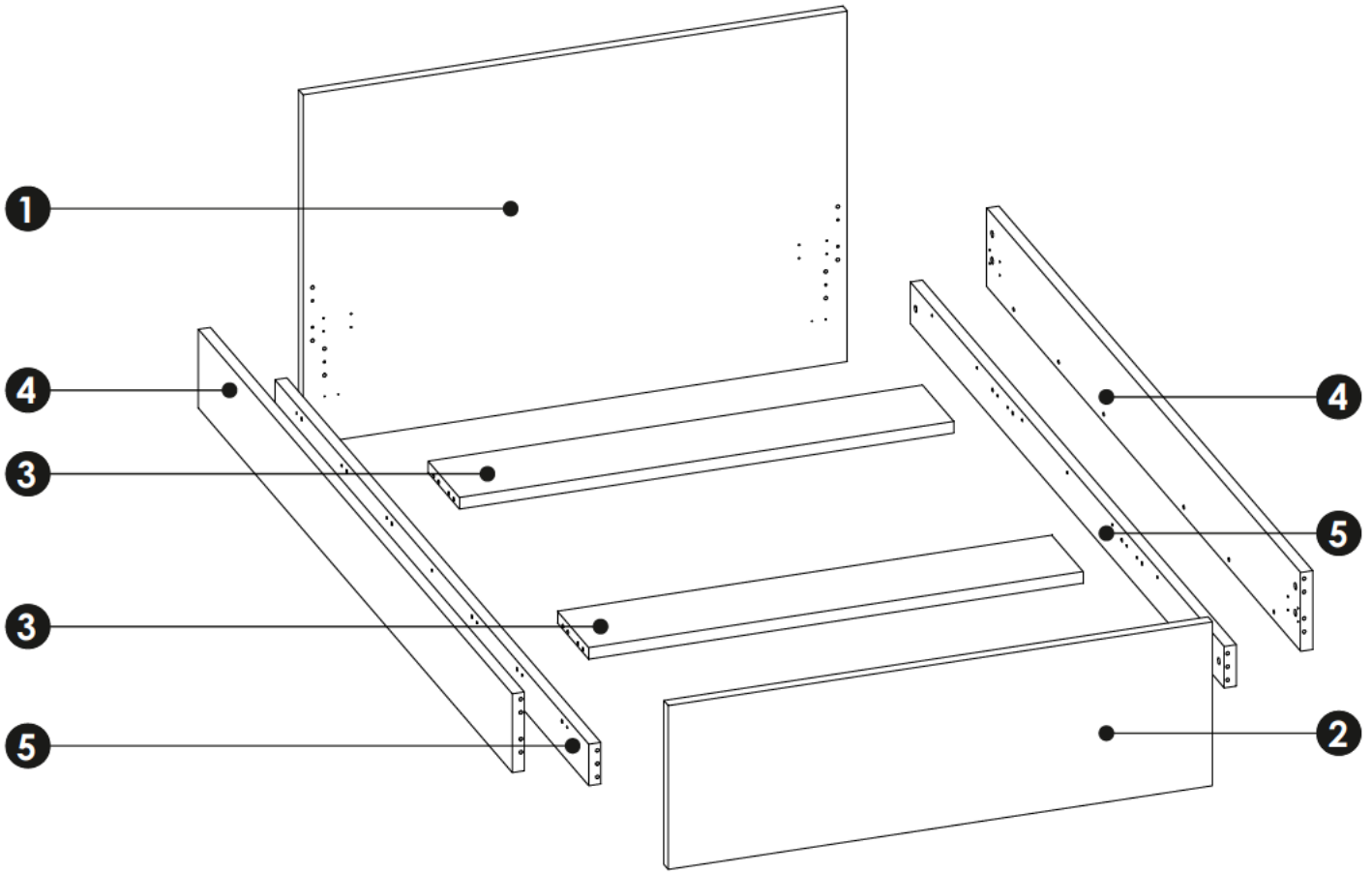
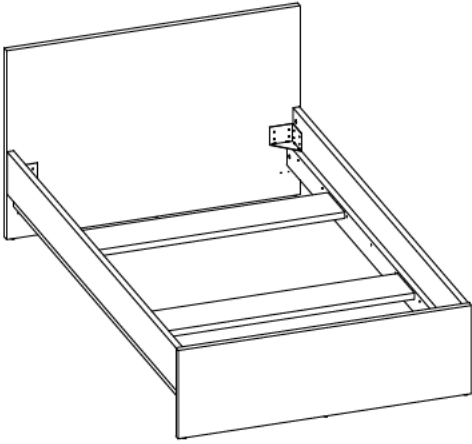
40 MIN



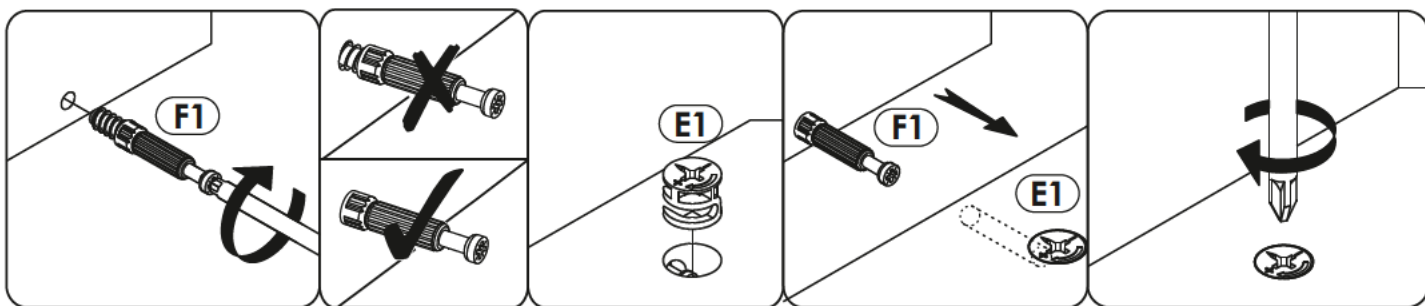


| | | |
|--|---|---|
| A1 8 x 35 mm x36  | C2 5 x 13 mm x32  | E1 15 x 12 mm x20  |
| F1 6 x 34 mm x20  | I17 4 x 50 mm x14  | O2 x6  |
| Z2 x4  | | |

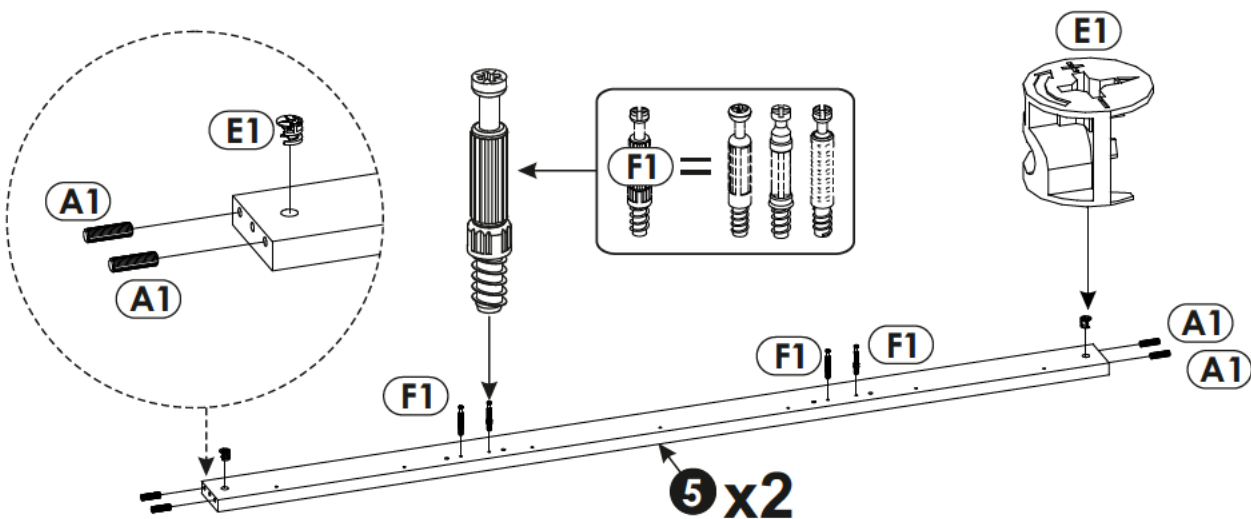
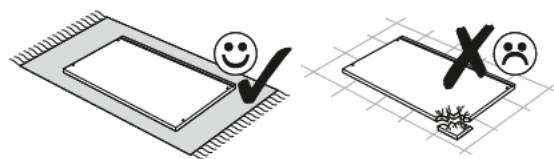




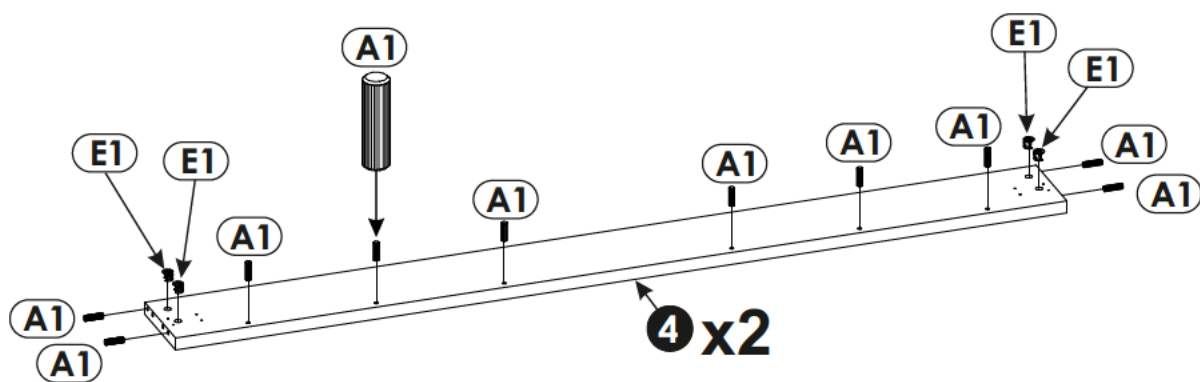
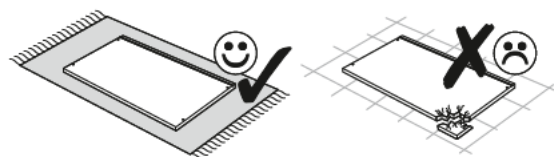
| | | | | | |
|----------|------|------|----|----|-----|
| 1 | 1266 | 845 | 28 | x1 | 2/2 |
| 2 | 1200 | 395 | 28 | x1 | 2/2 |
| 3 | 1150 | 200 | 28 | x2 | 2/2 |
| 4 | 2006 | 190 | 28 | x2 | 1/2 |
| 5 | 100 | 2006 | 28 | x2 | 1/2 |



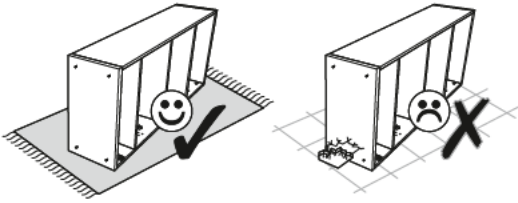
1 ▶



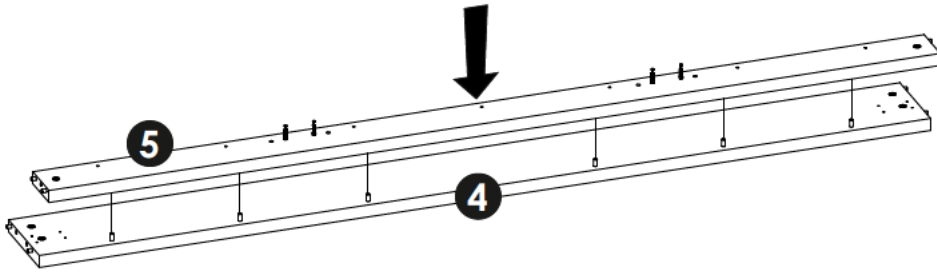
2 ▶



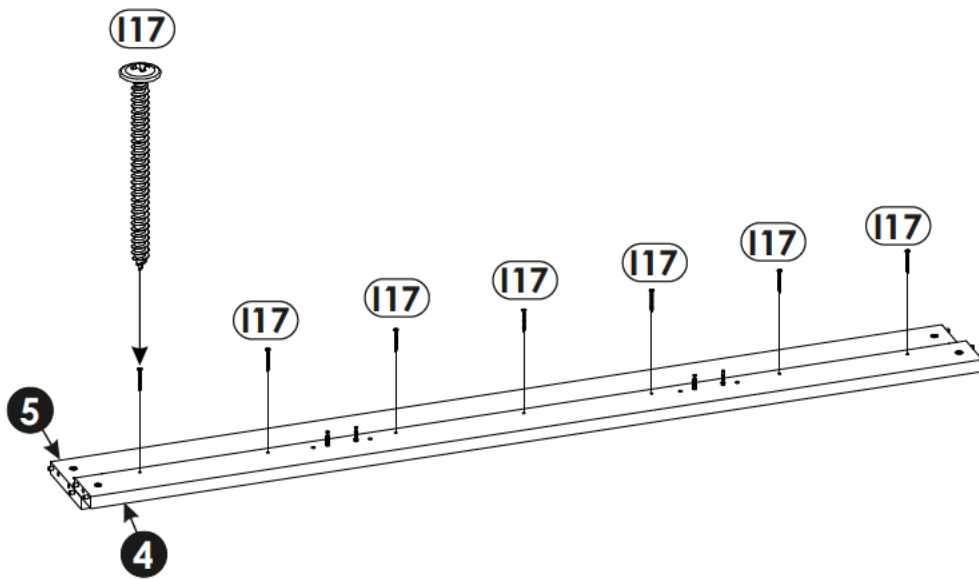
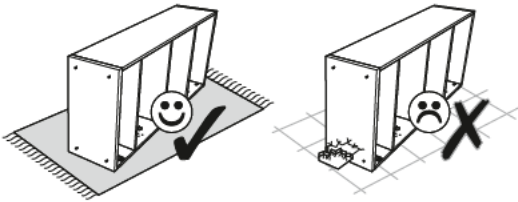
3 ▶



x2

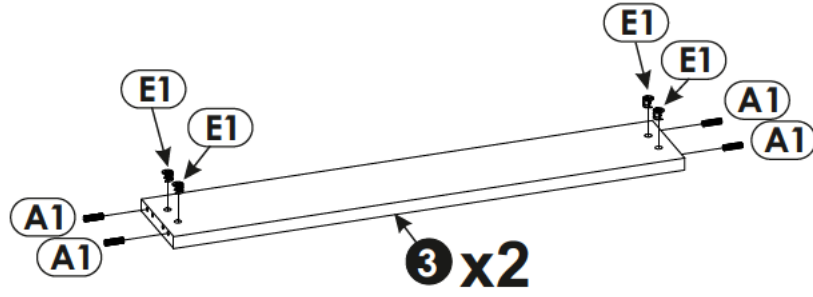
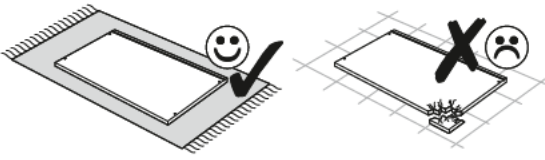


4 ▶

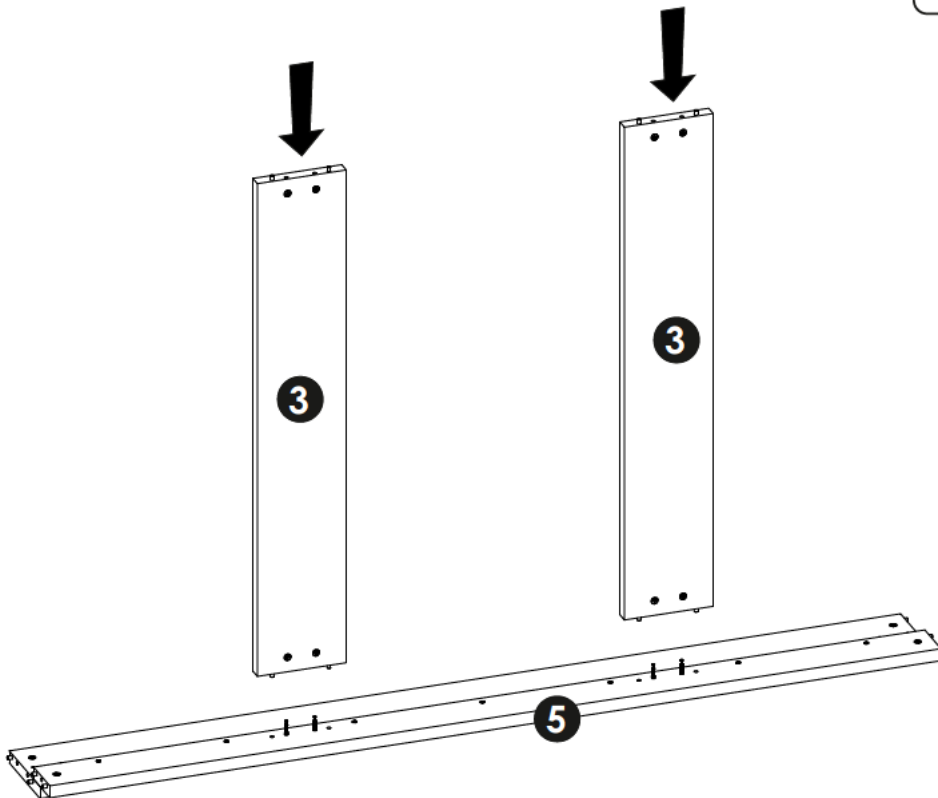
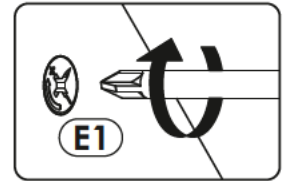
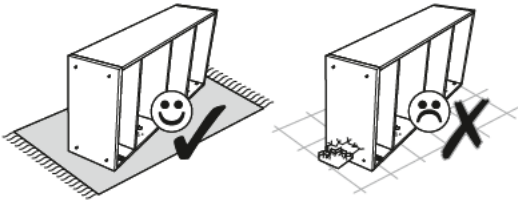


x2

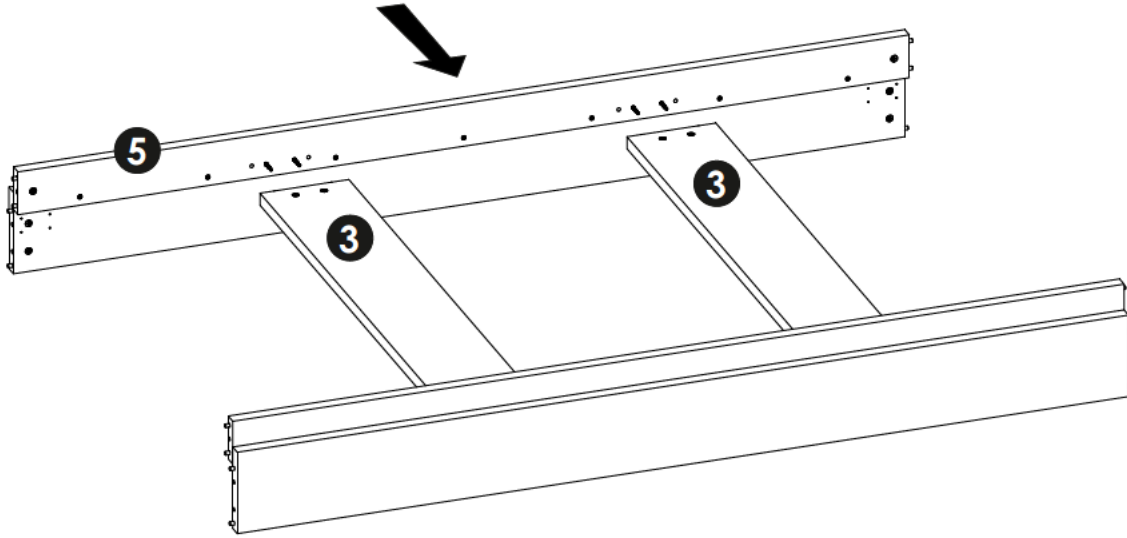
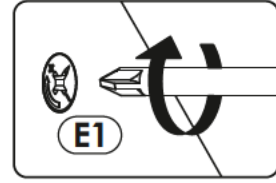
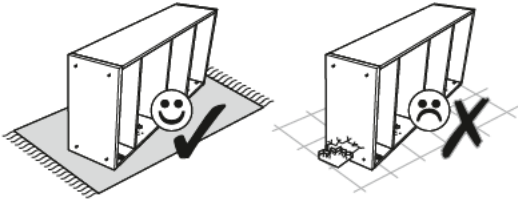
5 ▶



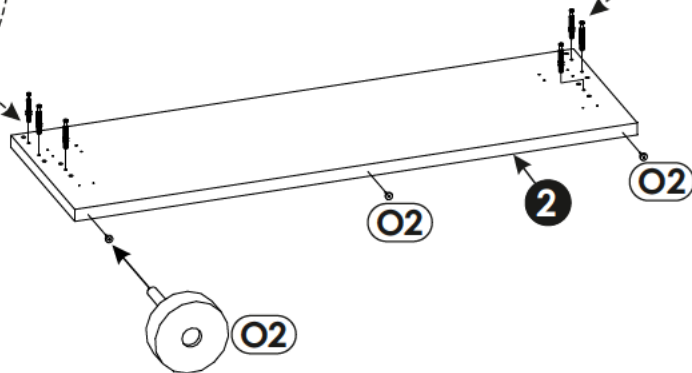
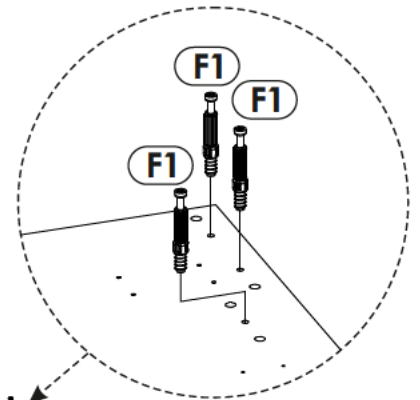
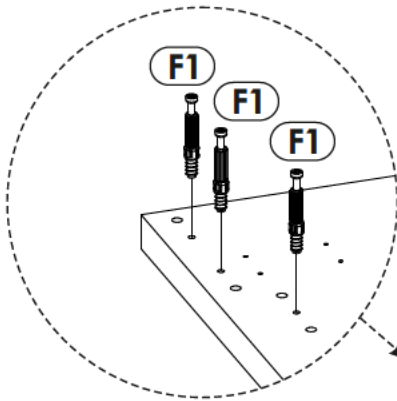
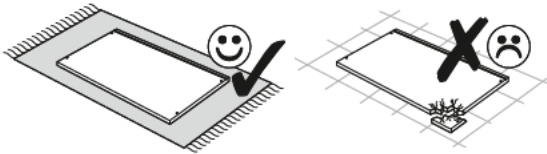
6 ▶



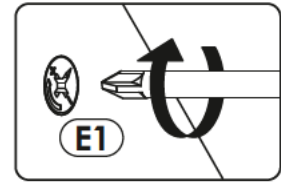
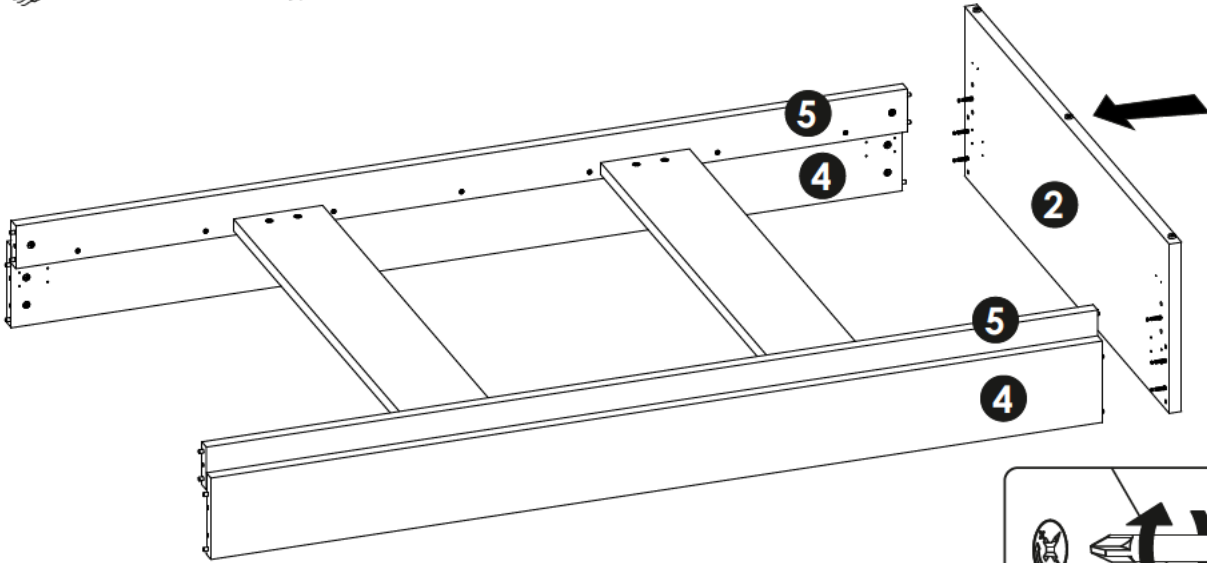
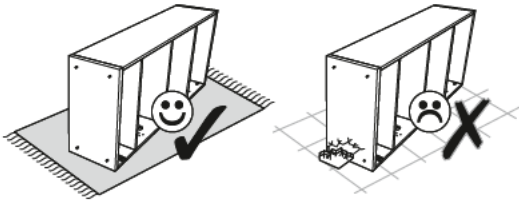
7 ▶



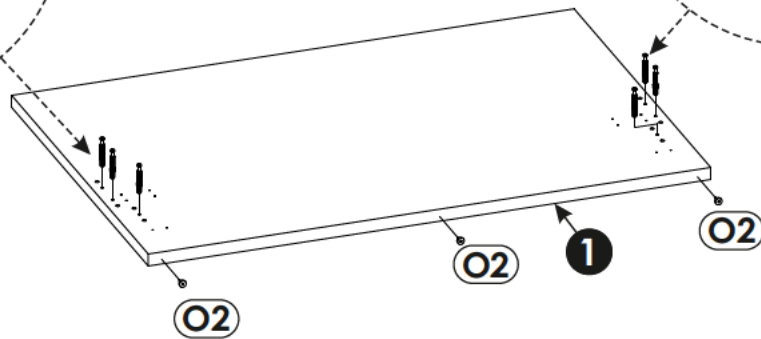
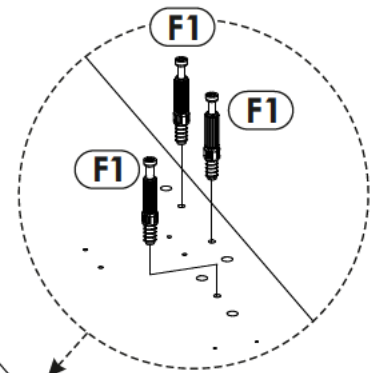
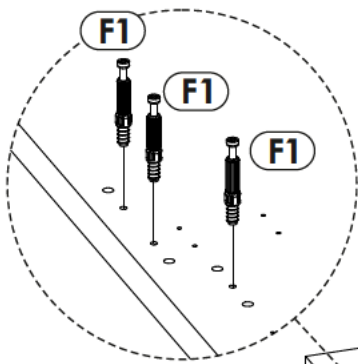
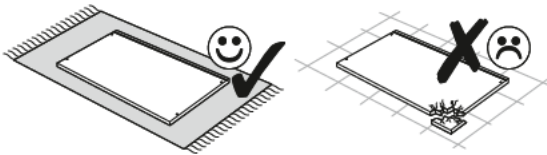
8 ▶



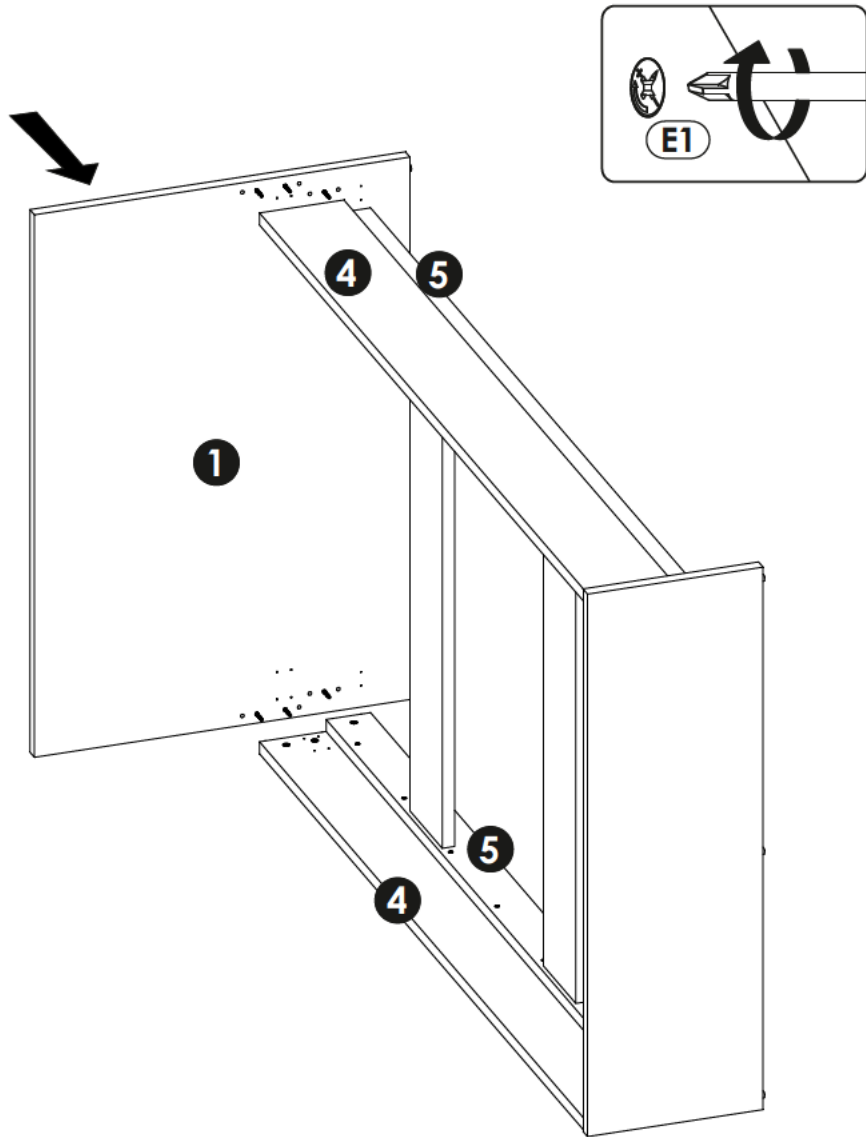
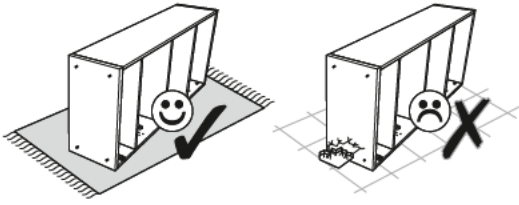
9 ▶



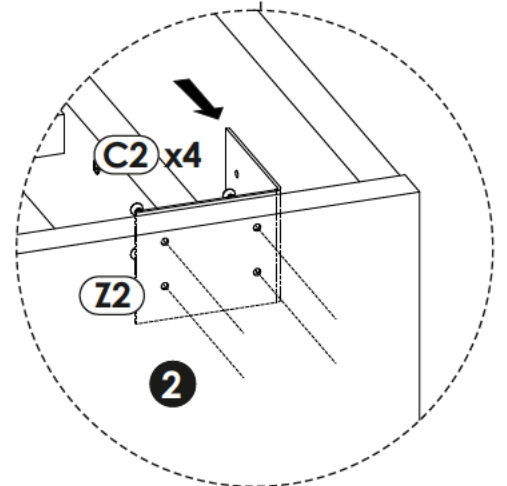
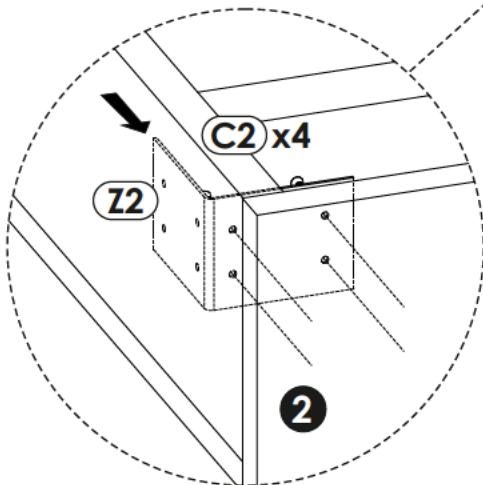
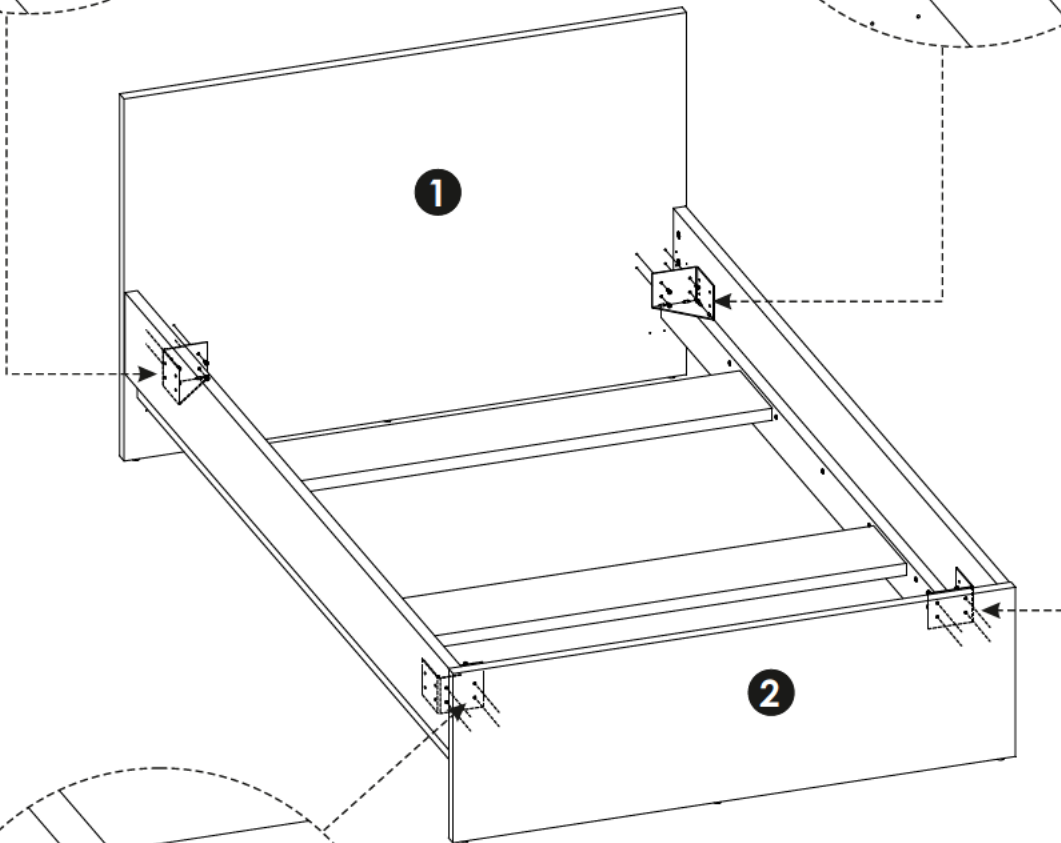
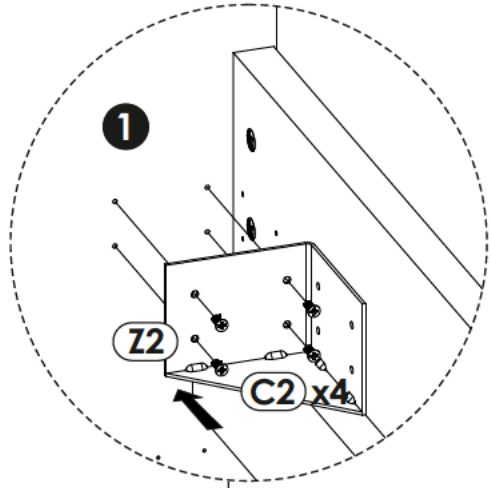
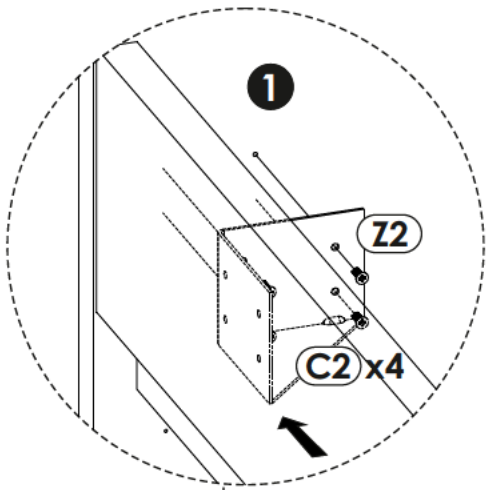
10 ▶



11 ▶



12▶



13▶

