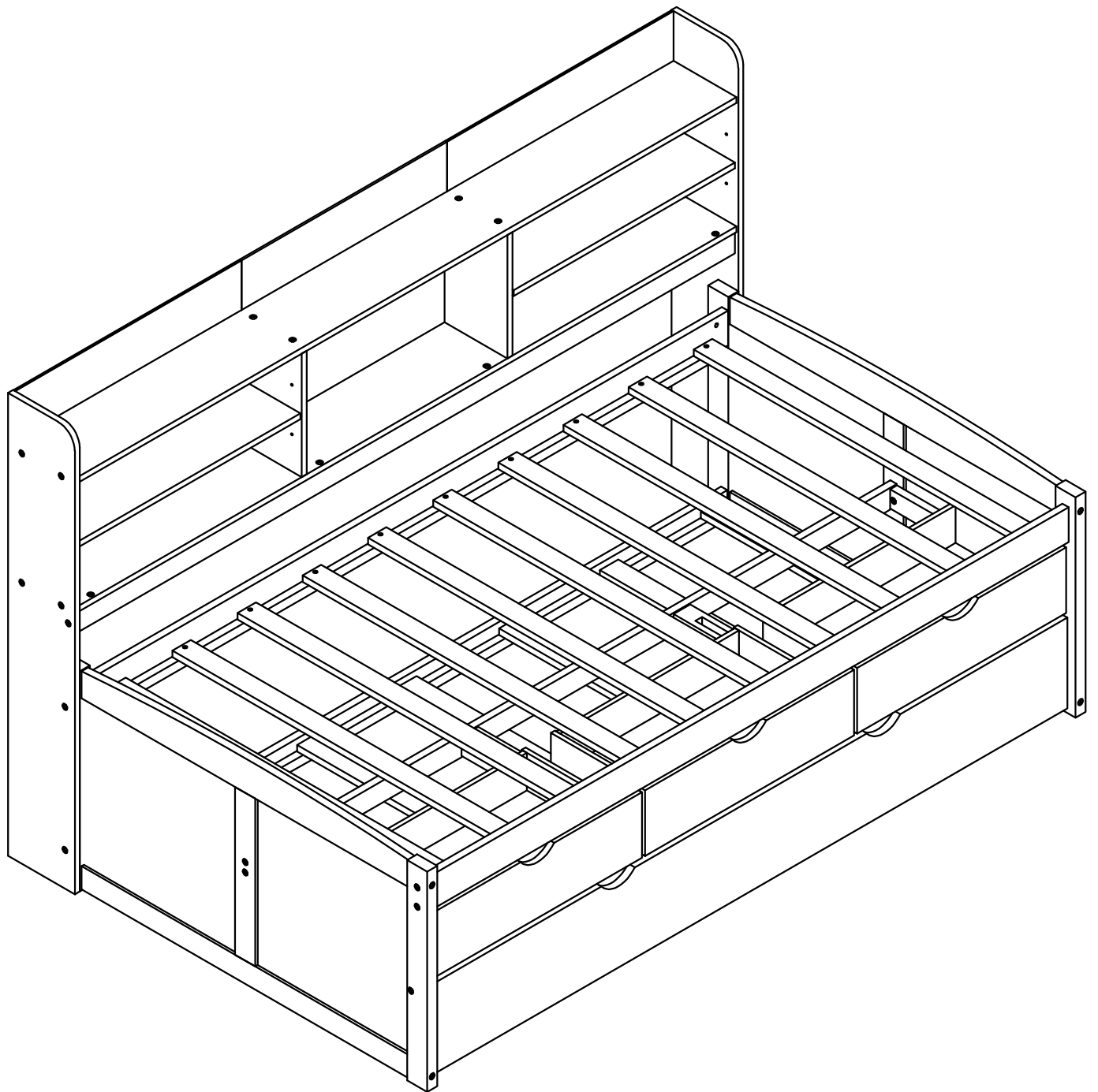


ASSEMBLY INSTRUCTION



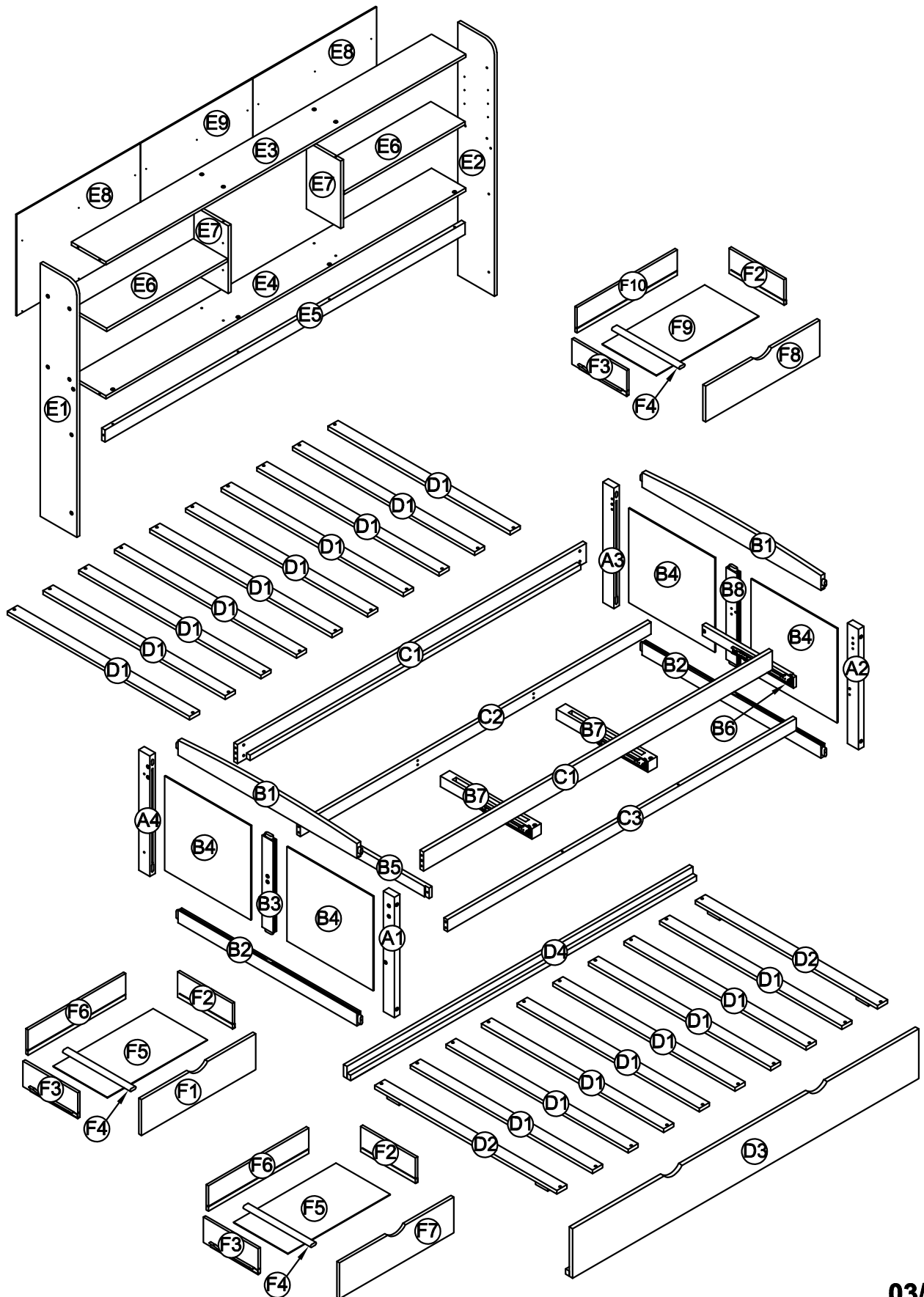
SAFETY WARNINGS AND GENERAL NOTES:

1. Do not use substitute parts. Contact the manufacturer or dealer for replacement parts.
2. Keep these instructions for future reference.
3. We recommend assembling your bed on the shipping carton to protect your floor or carpet.
4. Be certain all staples are out of the box before beginning assembly on the shipping carton.




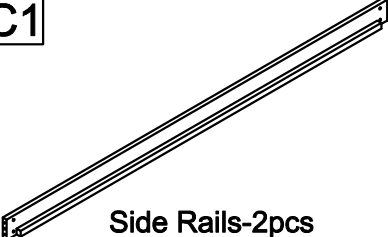
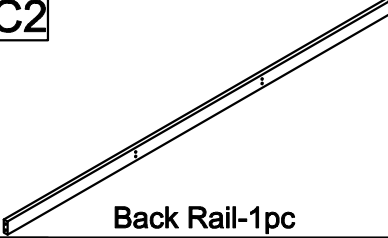
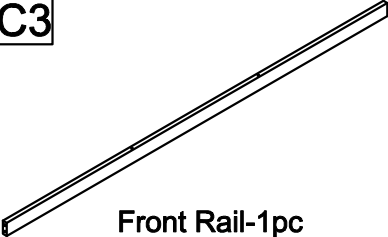
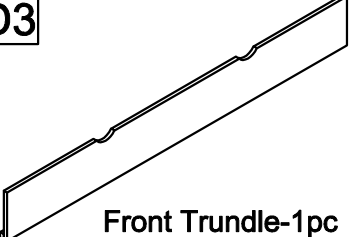
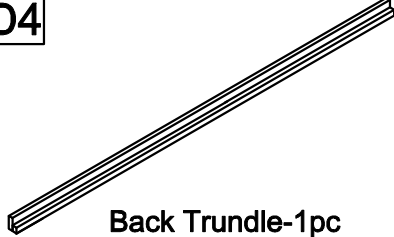
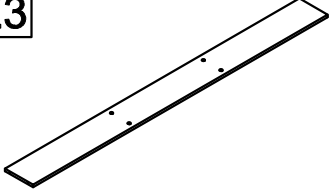
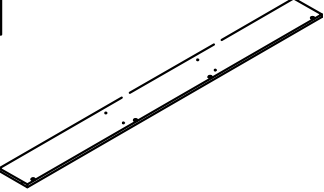
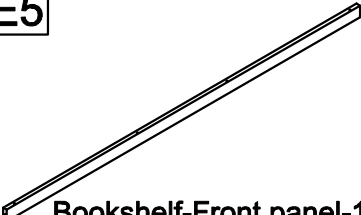
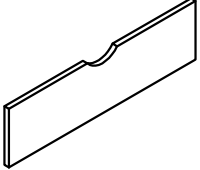
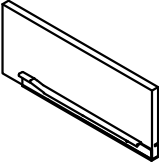
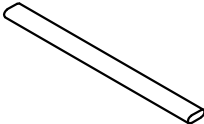
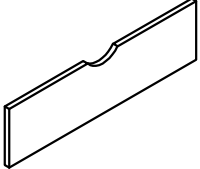
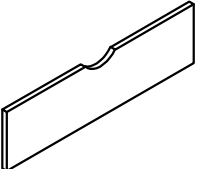
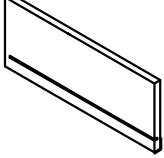
5.Replacement Parts:

Replacement Parts, including additional guardrails, may be obtained from any of our dealers






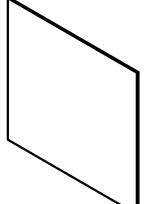
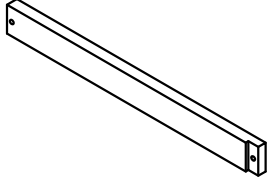
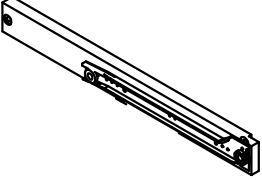
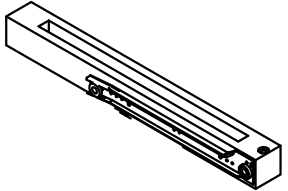

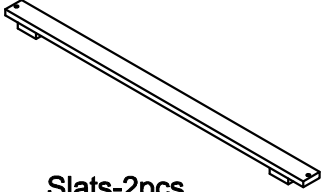


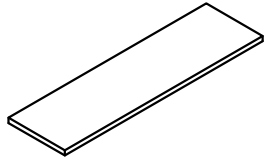
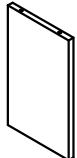
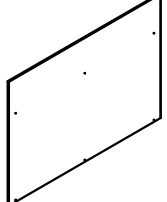
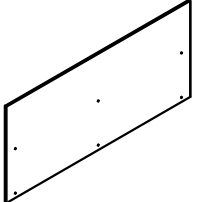
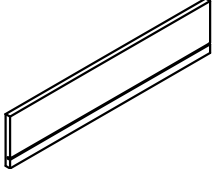
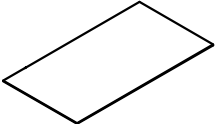
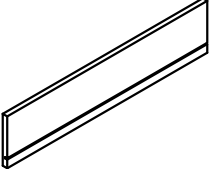
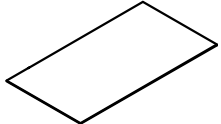
ASSEMBLY INSTRUCTION





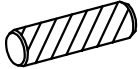
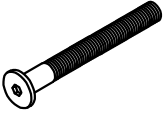



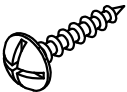


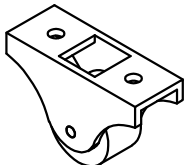


Part List & Hardware List (BOX 1)

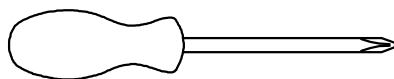
<p>B1</p>  <p>Wood Bars-2pcs</p>	<p>B3</p>  <p>Wood Bar-1pc</p>	<p>B8</p>  <p>Wood Bar-1pc</p>
<p>C1</p>  <p>Side Rails-2pcs</p>	<p>C2</p>  <p>Back Rail-1pc</p>	<p>C3</p>  <p>Front Rail-1pc</p>
<p>D3</p>  <p>Front Trundle-1pc</p>	<p>D4</p>  <p>Back Trundle-1pc</p>	<p>E3</p>  <p>Bookshelf-Top panel-1pc</p>
<p>E4</p>  <p>Bookshelf-Bottom panel-1pc</p>	<p>E5</p>  <p>Bookshelf-Front panel-1pc</p>	<p>F1</p>  <p>Drawer-Front Panel-1pc</p>
<p>F3</p>  <p>Drawer-Side Panels-3pcs</p>	<p>F4</p>  <p>Drawer-Support Bottom-3pcs</p>	<p>F7</p>  <p>Drawer-Front Panel-1pc</p>
<p>F8</p>  <p>Drawer-Front Panel-1pc</p>	<p>F2</p>  <p>Drawer-Side Panels-3pcs</p>	

Part List (BOX 2)

<p>A1</p>  <p>Leg(Front-Left)-1pc</p>	<p>A2</p>  <p>Leg(Front-Right)-1pc</p>	<p>A3</p>  <p>Leg(Back-Right)-1pc</p>
<p>A4</p>  <p>Leg(Back-Left)-1pc</p>	<p>B2</p>  <p>Wood Bars-2pcs</p>	<p>B4</p>  <p>Panels-4pcs</p>
<p>B5</p>  <p>Wood Bar-1pc</p>	<p>B6</p>  <p>Wood Bar-1pc</p>	<p>B7</p>  <p>Wood Bars-2pcs</p>
<p>D1</p>  <p>Slats-18pcs</p>	<p>D2</p>  <p>Slats-2pcs</p>	<p>E1</p>  <p>Bookshelf-Side panel-1pc</p>
<p>E2</p>  <p>Bookshelf-Side panel-1pc</p>	<p>E6</p>  <p>Bookshelf-Remove panels-2pcs</p>	<p>E7</p>  <p>Bookshelf-Center panels-2pcs</p>
<p>E8</p>  <p>Bookshelf-Back panels-2pcs</p>	<p>E9</p>  <p>Bookshelf-Back panel-1pc</p>	<p>F10</p>  <p>Drawer-Back Panel-1pc</p>
<p>F5</p>  <p>Drawer-Bottom Panels-2pcs</p>	<p>F6</p>  <p>Drawer-Back Panels-2pcs</p>	<p>F9</p>  <p>Drawer-Bottom Panel-1pc</p>

Hardware List (BOX 1)

<p>1</p>  <p>Screws 1/4"x80 8pcs</p>	<p>2</p>  <p>Ø1/4" x 30 mm Hex-Head bolts 34pcs</p>	<p>3</p>  <p>Ø10 x 40 mm Wood dowel 6pcs</p>
<p>4</p>  <p>Ø1/4" x 90 mm Hex-Head bolts 14pcs</p>	<p>5</p>  <p>Ø1/4" x 13 mm Horizontal-Hole bolts 14pcs</p>	<p>6</p>  <p>Ø1/4" x 60 mm Hex-Head bolts 2pcs</p>
<p>7</p>  <p>M4 x 30 mm Wood Screws 67pcs</p>	<p>8</p>  <p>M4 x 15 mm Wood Screws 18pcs</p>	<p>9</p>  <p>Dowel Remove Shelves 8pcs</p>
<p>10</p>  <p>M4 x 15 mm Wood Screws 20pcs</p>	<p>11</p>  <p>Wheels 4pcs</p>	<p>12</p>  <p>Steel Bracket 3pcs</p>
<p>13</p>  <p>Allen Key 1pc</p>		



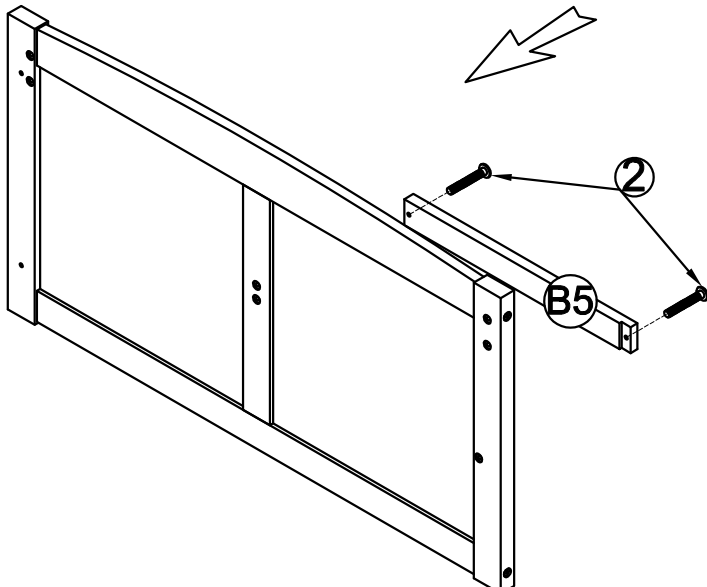
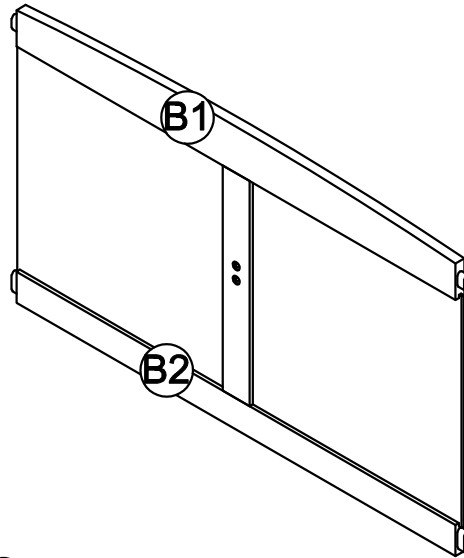
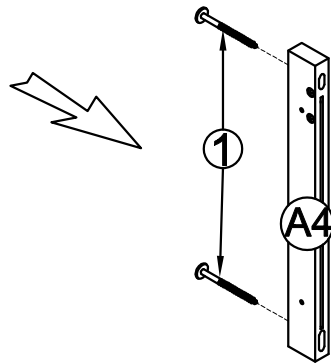
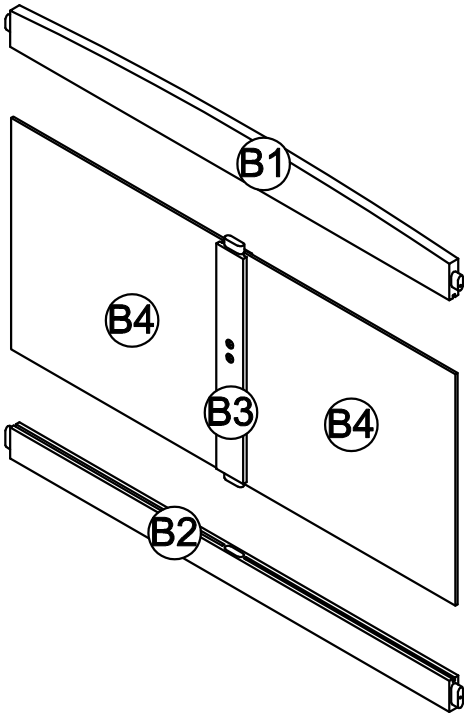
Assembly Tools Required (Not Included)



STEP1: Following below illustration:

1.1: Fix B3 Wood Bar with B1, B2 Wood bars and B4(x2) Panels

1.2: Using hardware #1 connect A1, A4 Legs With B1, B2 Wood Bar

1.3: Using hardware #2 connect Frame (completed on step 1.2) With B5 Wood Bar



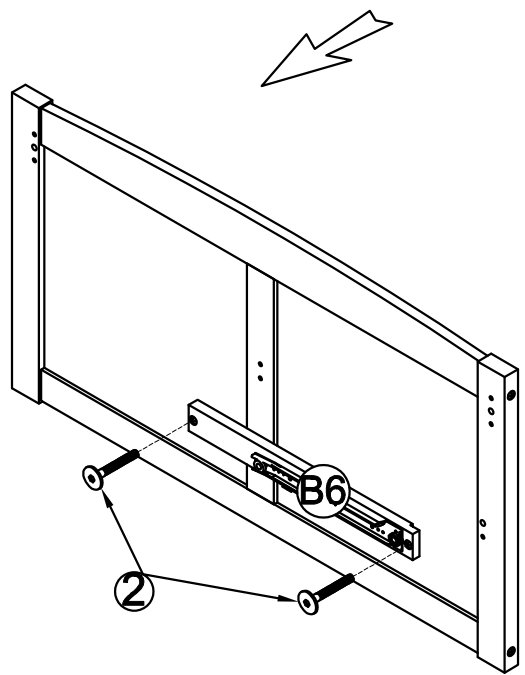
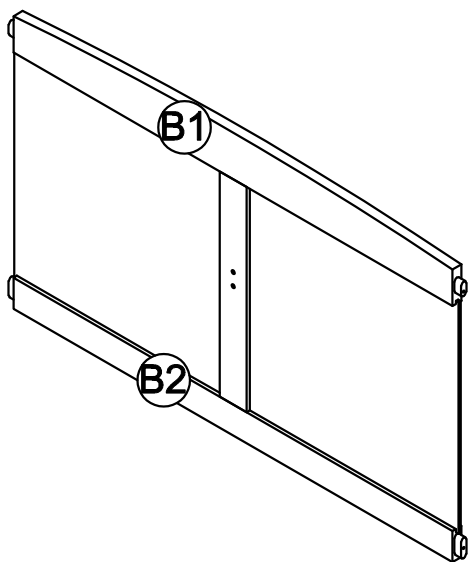
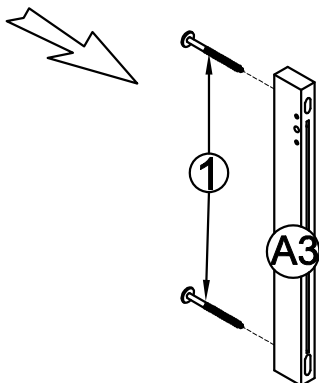
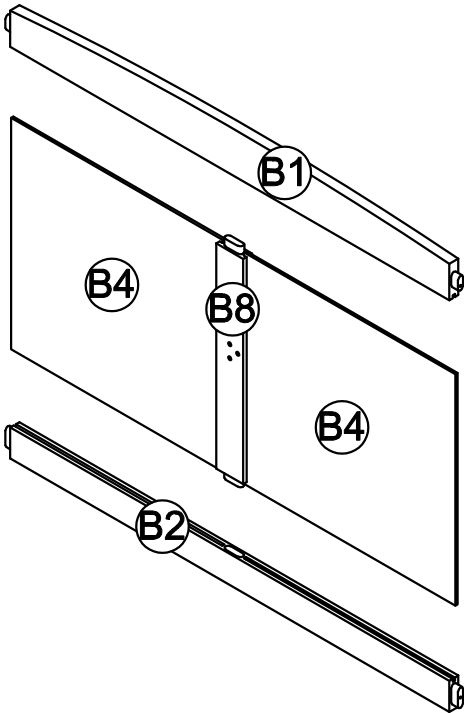
1	
	4pcs
2	
	2pcs

STEP 2: Following below illustration:

1.1: Fix B8 Wood Bar with B1, B2 Wood bars and B4(x2) Panels

1.2: Using hardware #1 connect A2, A3 Legs With B1, B2 Wood Bar


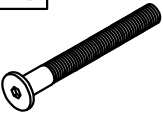

1.3: Using hardware #2 connect Frame (completed on step 1.2) With B6 Wood Bar

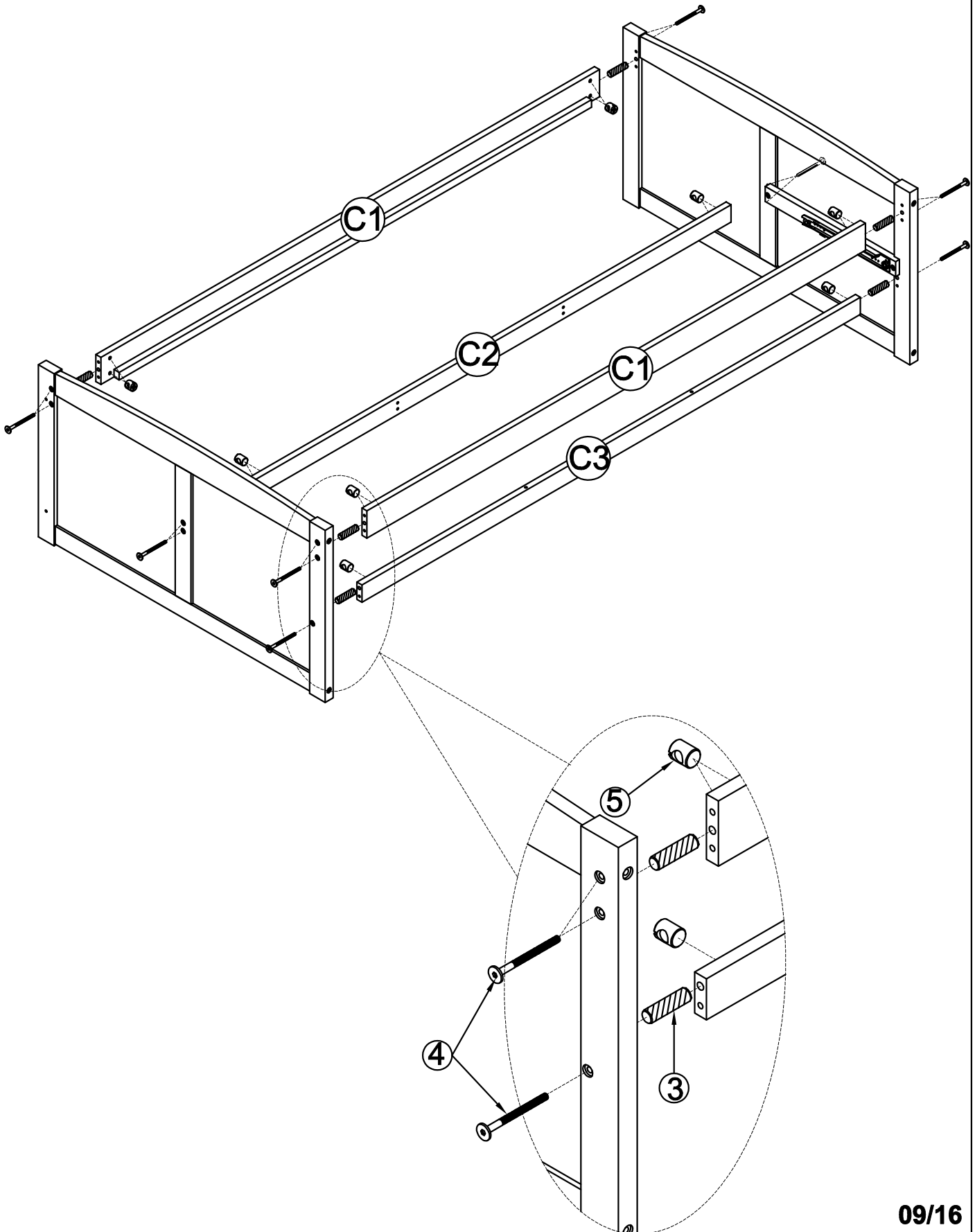


1	
	4pcs
2	
	2pcs

STEP 3: Following below illustration:

-Using hardware #4,#5 and dowel #3 to Assembly Headboard and Footboard with siderail C1(x2) and Rails C2,C3
-Look at detail view for more detail

5	4	3
		
14pcs	14pcs	6pcs





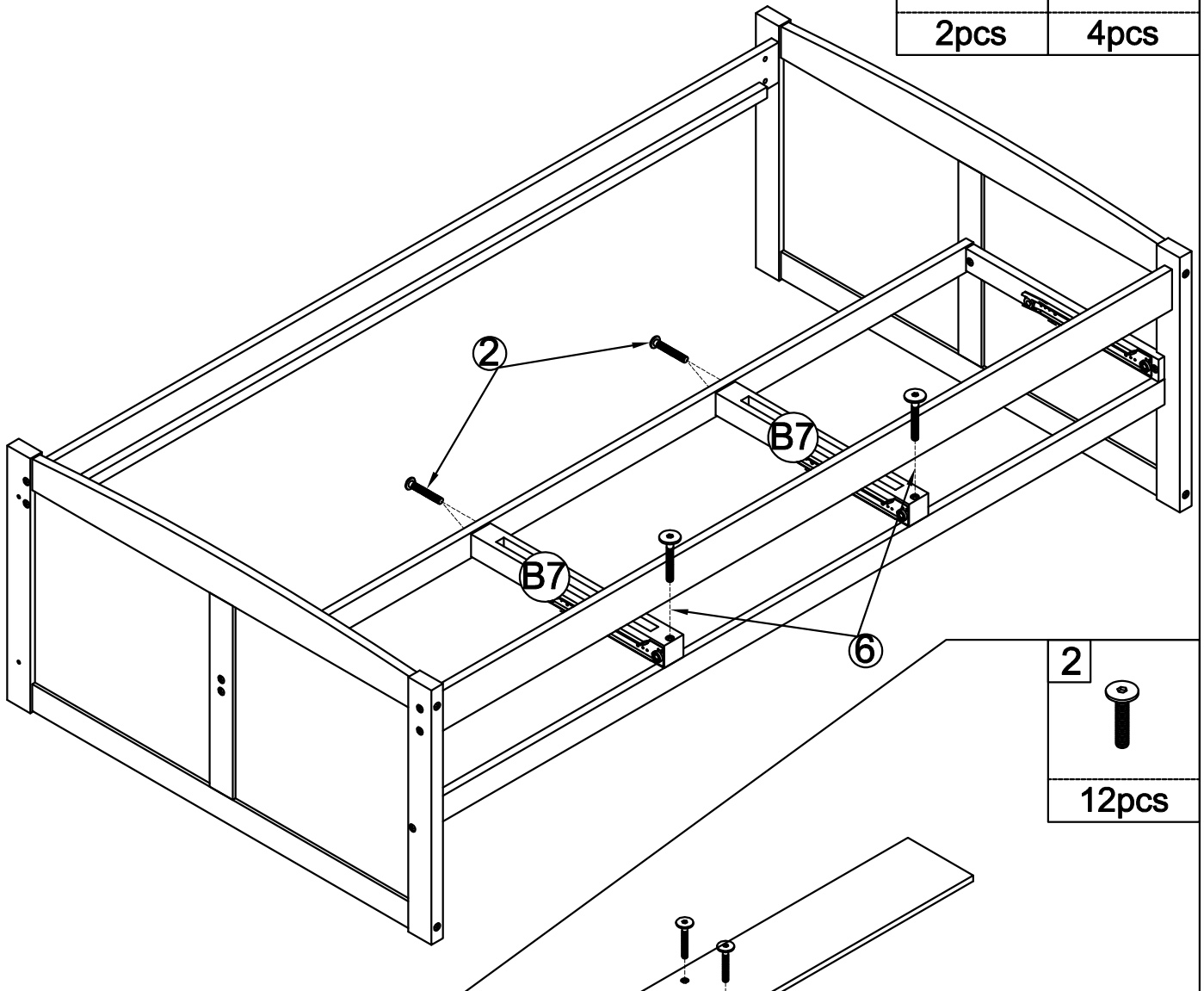
STEP 4:


Following below illustration:

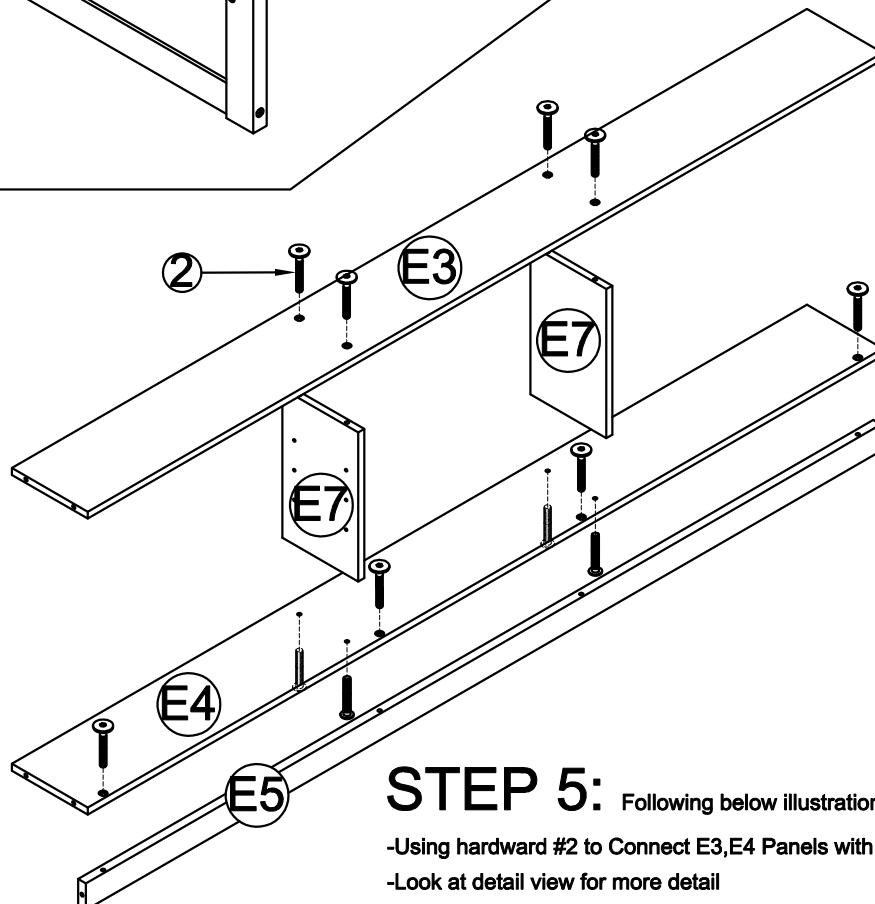
-Using hardware #2,#6 to Connect B7 Frames B7(x2) With Frame(completed don step 3)

-Look at detail view for more detail

6		2	
2pcs		4pcs	



2	
12pcs	



STEP 5:

Following below illustration:

-Using hardware #2 to Connect E3,E4 Panels with E5,E7(x2) Panels

-Look at detail view for more detail

STEP 6:

Following below illustration:

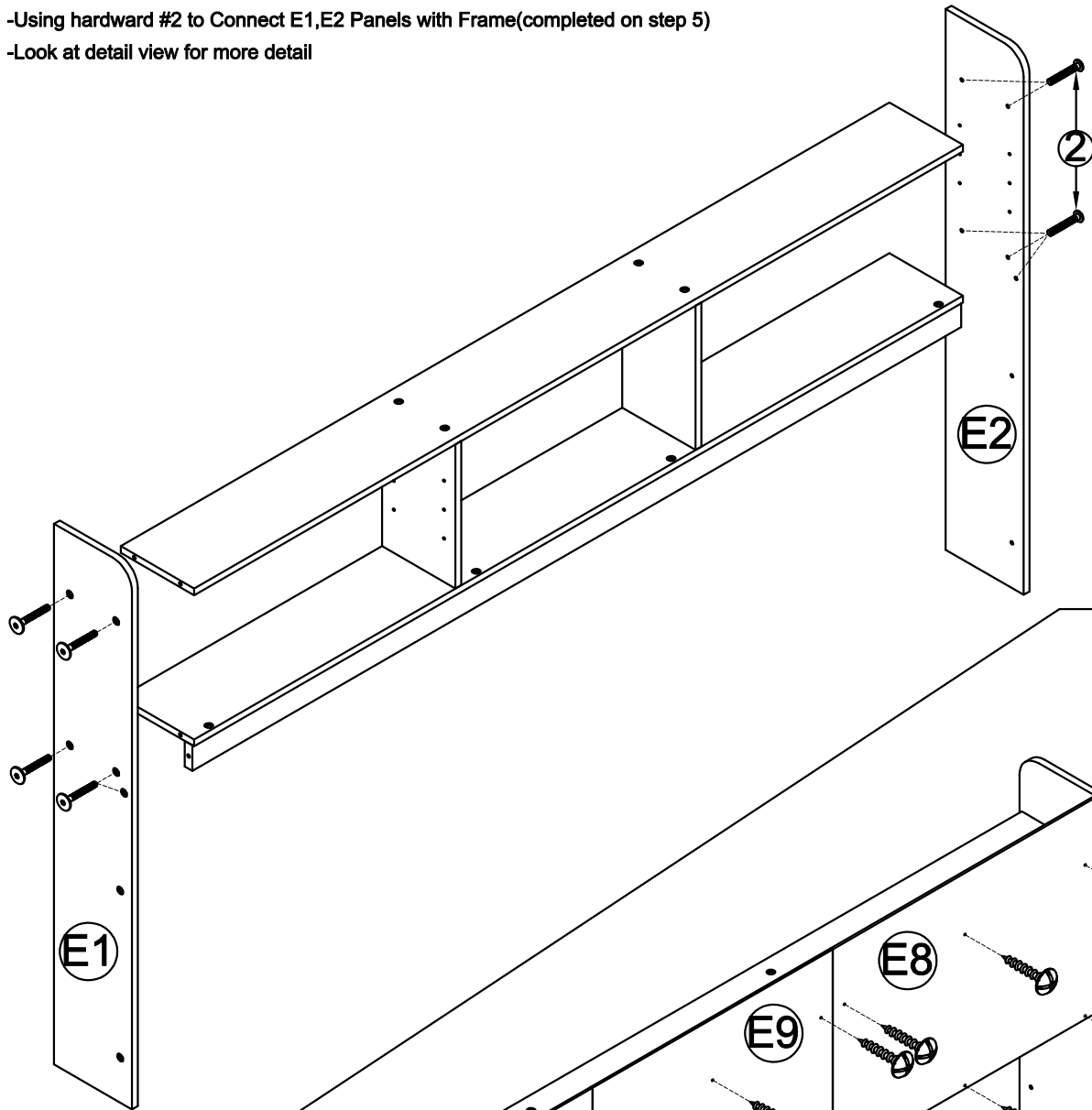
-Using hardward #2 to Connect E1,E2 Panels with Frame(completed on step 5)

-Look at detail view for more detail

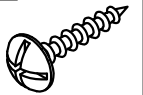
2



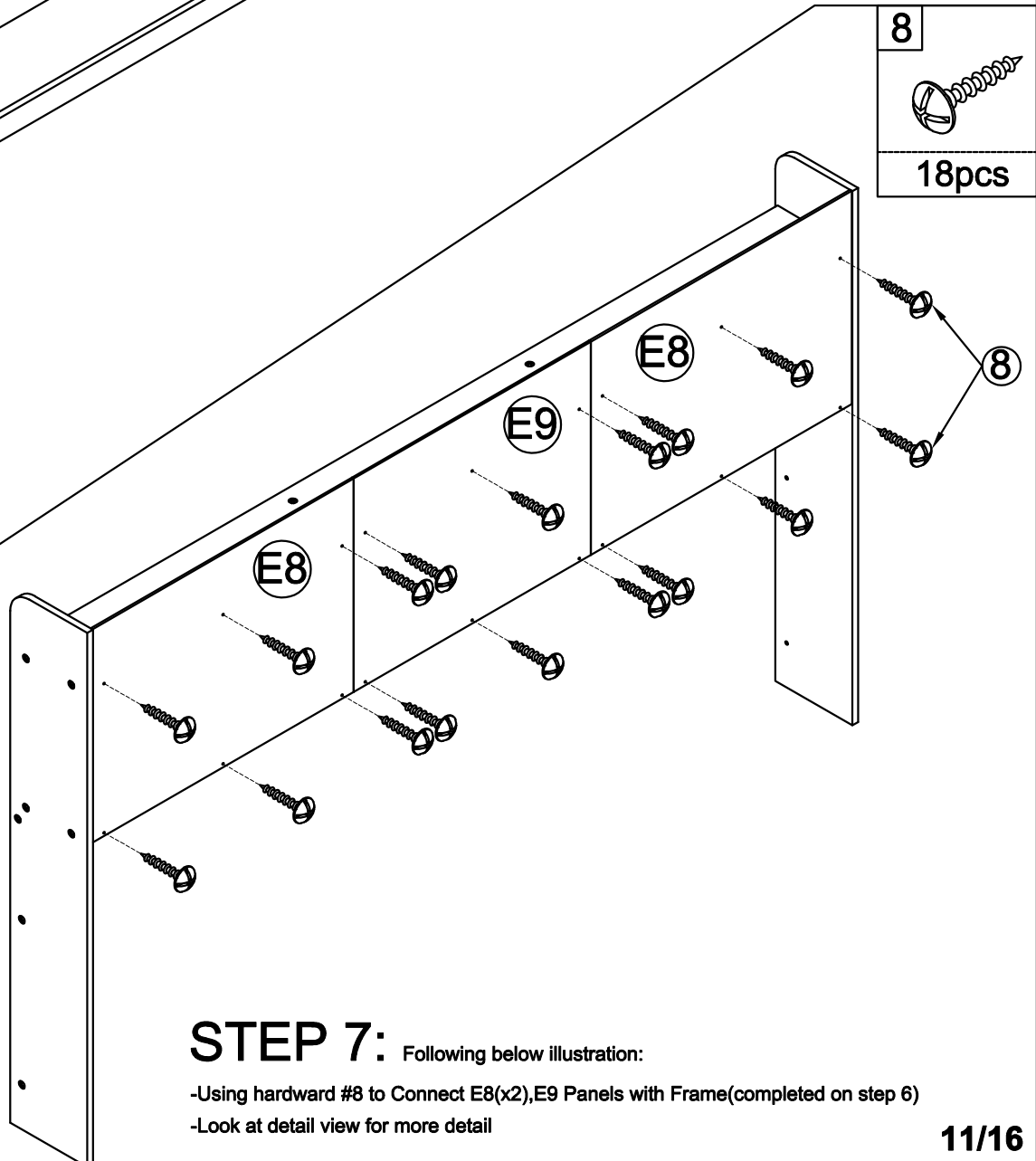
10pcs



8



18pcs



STEP 7:

Following below illustration:

-Using hardward #8 to Connect E8(x2),E9 Panels with Frame(completed on step 6)

-Look at detail view for more detail

STEP 8:

Following below illustration:

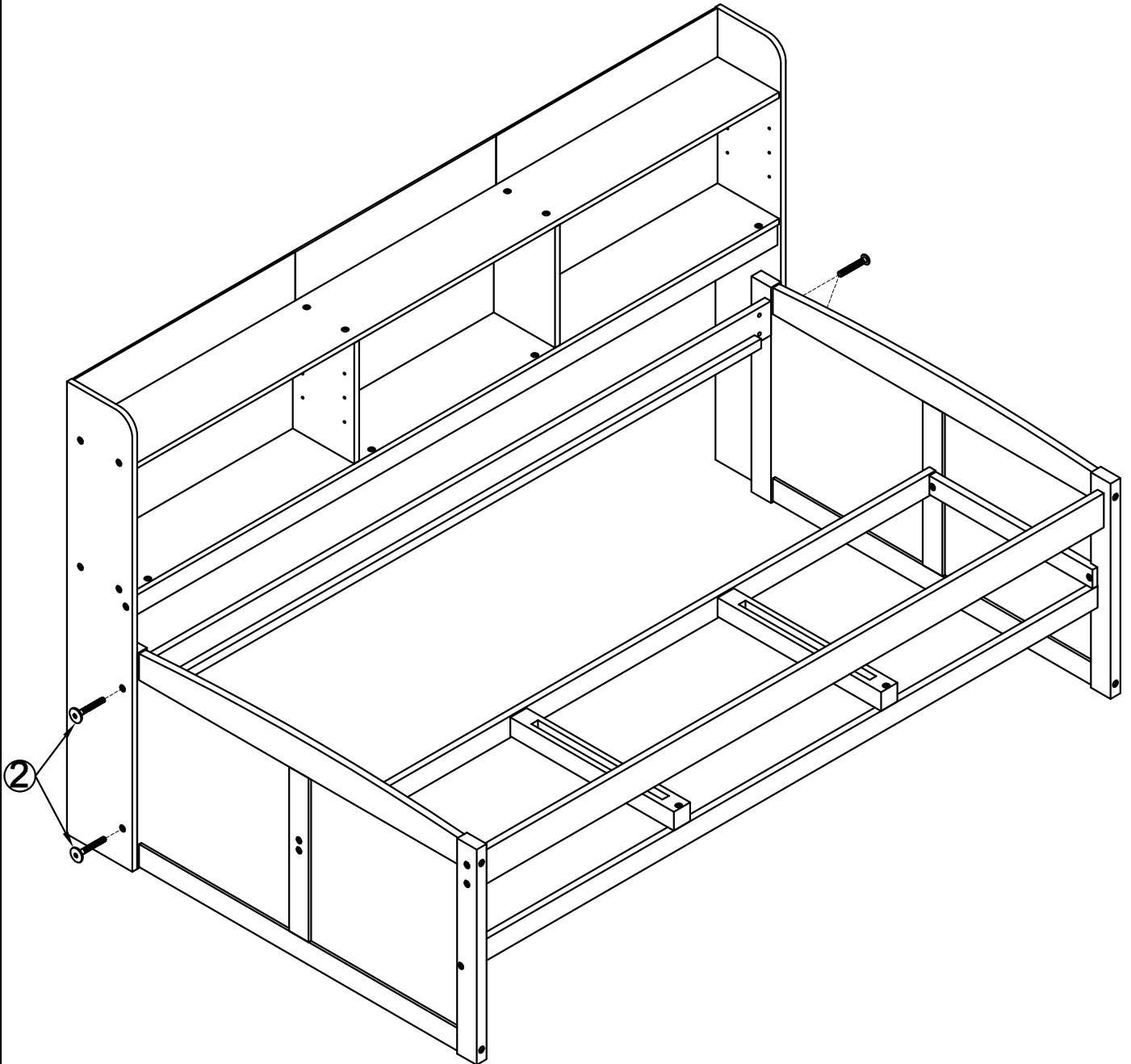
-Using hardward #2 to Connect Frame(completed on step 4) with Frame(completed on step 7)

-Look at detail view for more detail

2





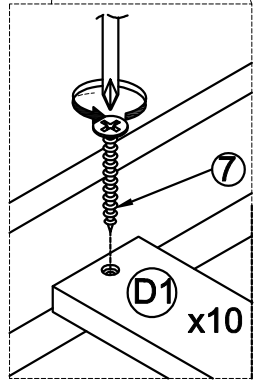
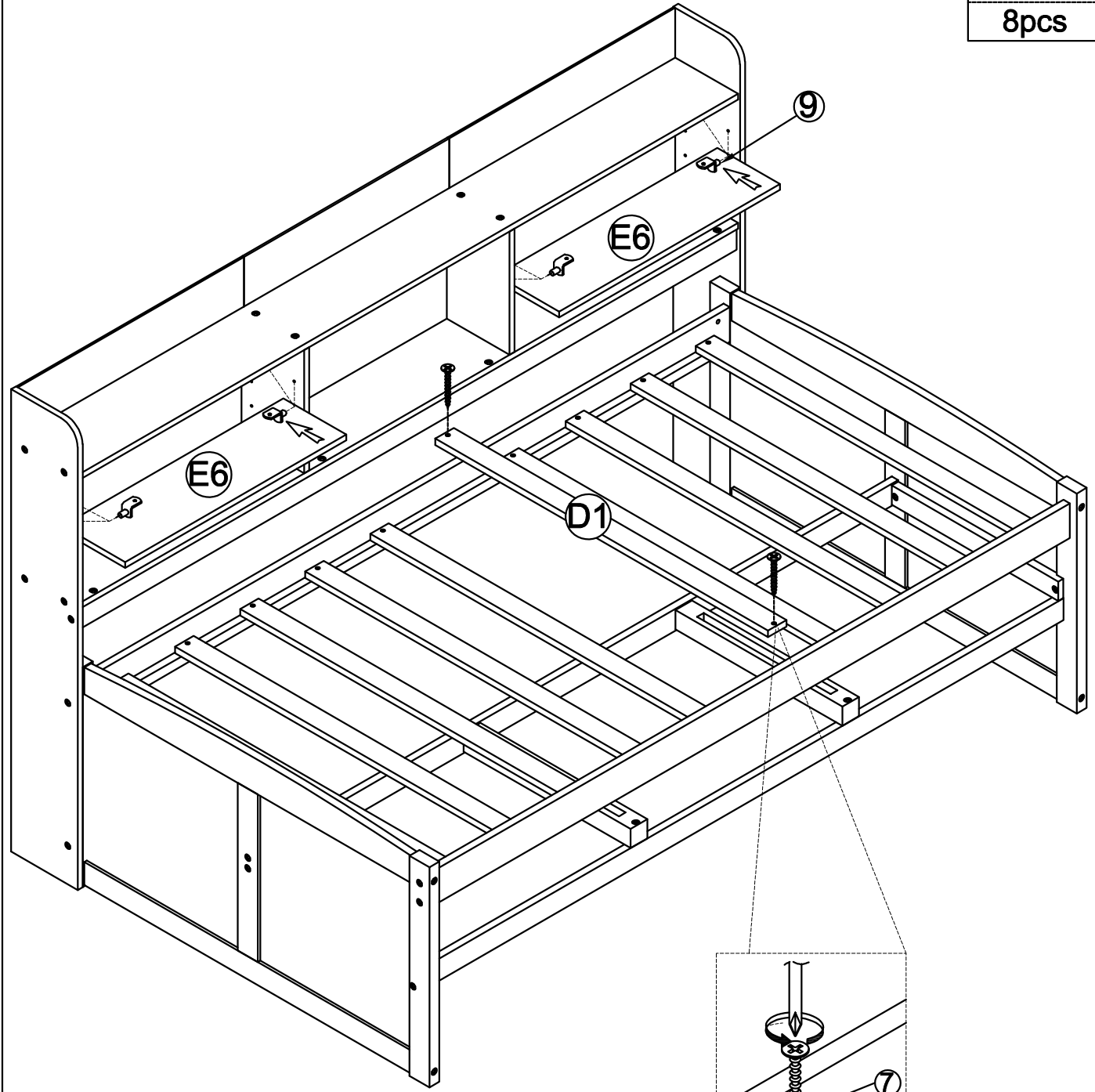
4pcs



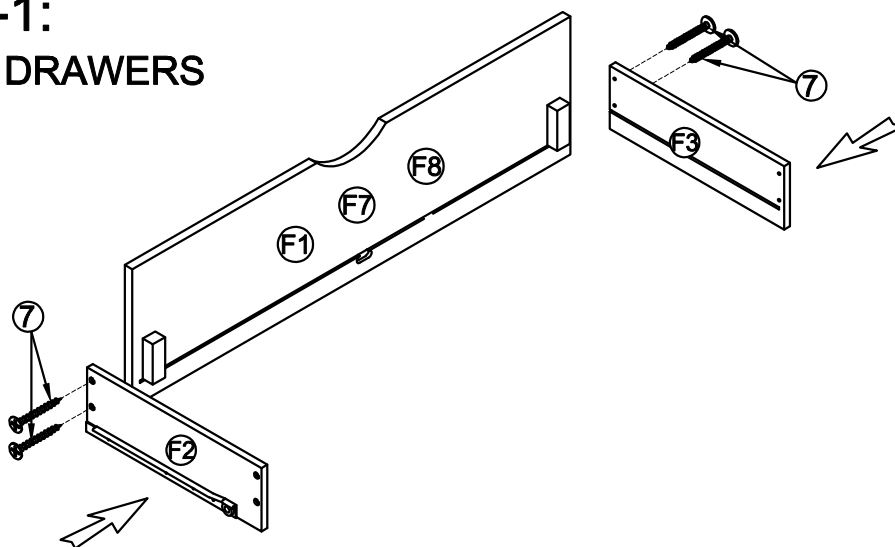
STEP 9: Following below illustration:


- Assembly HW #9 then push Remove panel E6(x2) in the right place
- Screw slats D1(x10) with Side Rail C1 by using hardware #7.

7	
20pcs	
9	
8pcs	

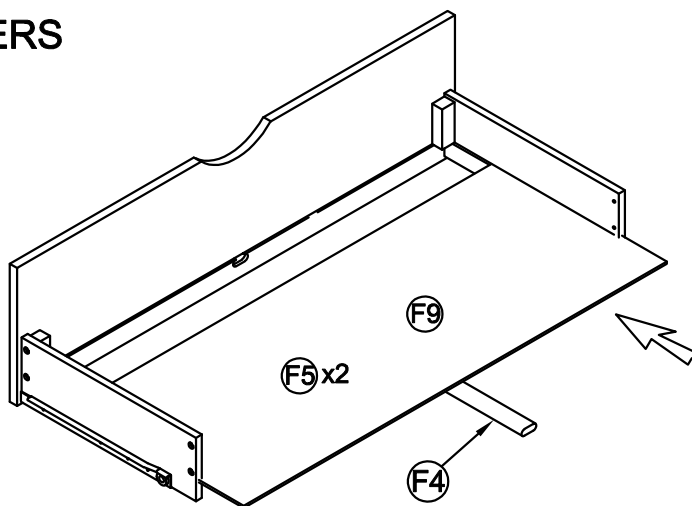


STEP 10-1: ASSEMBLY DRAWERS

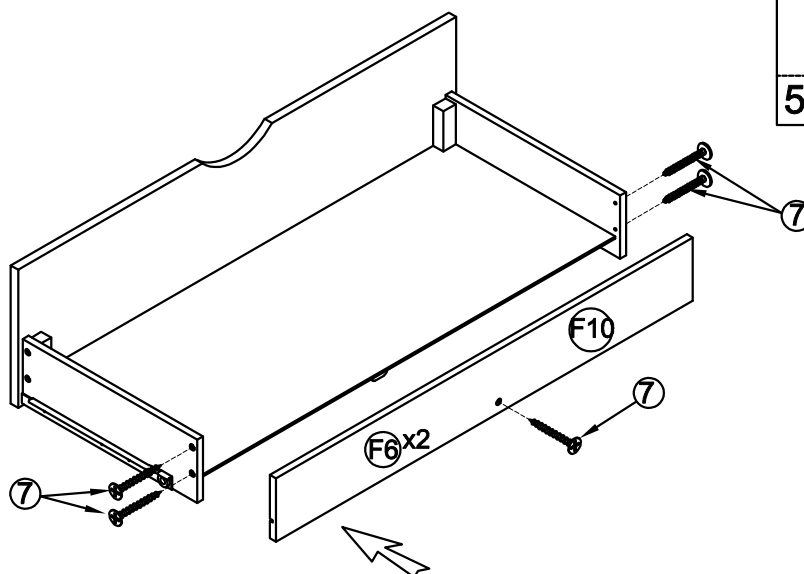



7 
4x3(pcs)

STEP 10-2: ASSEMBLY DRAWERS



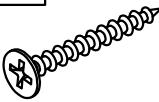
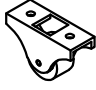
STEP 10-3: ASSEMBLY DRAWERS

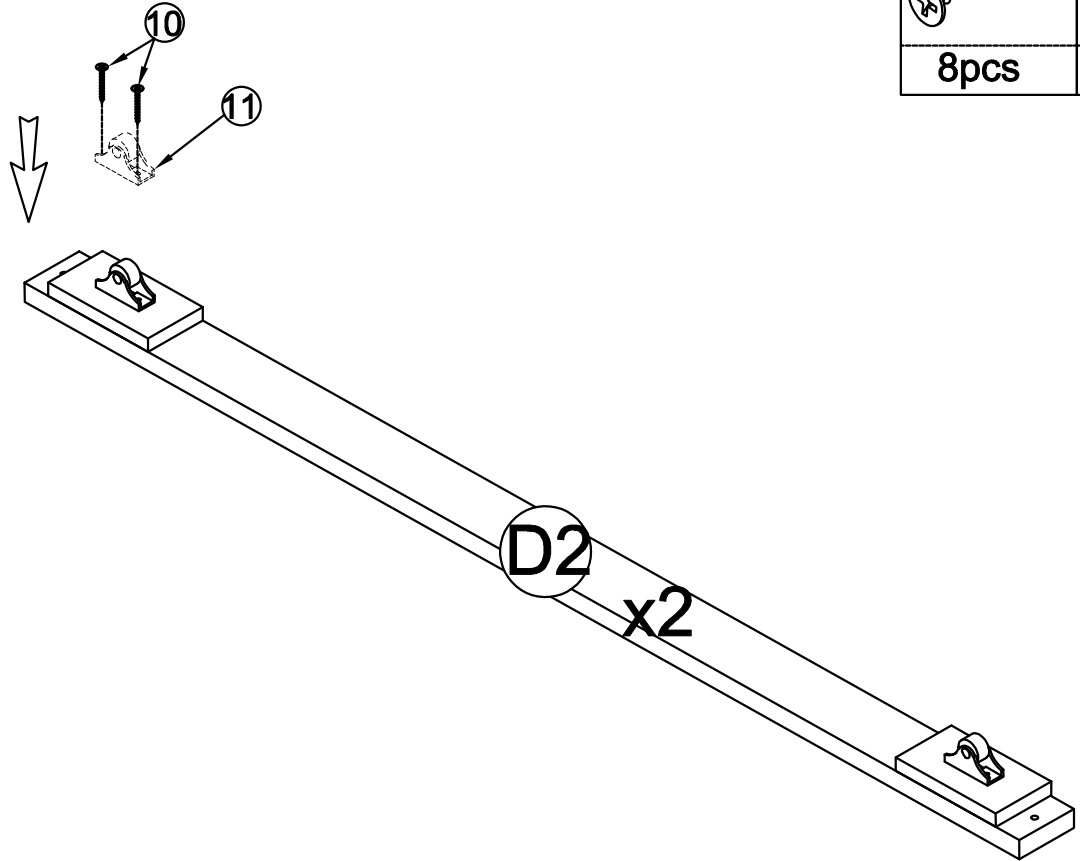


7 
5x3(pcs)

STEP 11-1: Following below illustration:




-Using hardware #10 to connect Wheels #11 With Slats D2(x2)

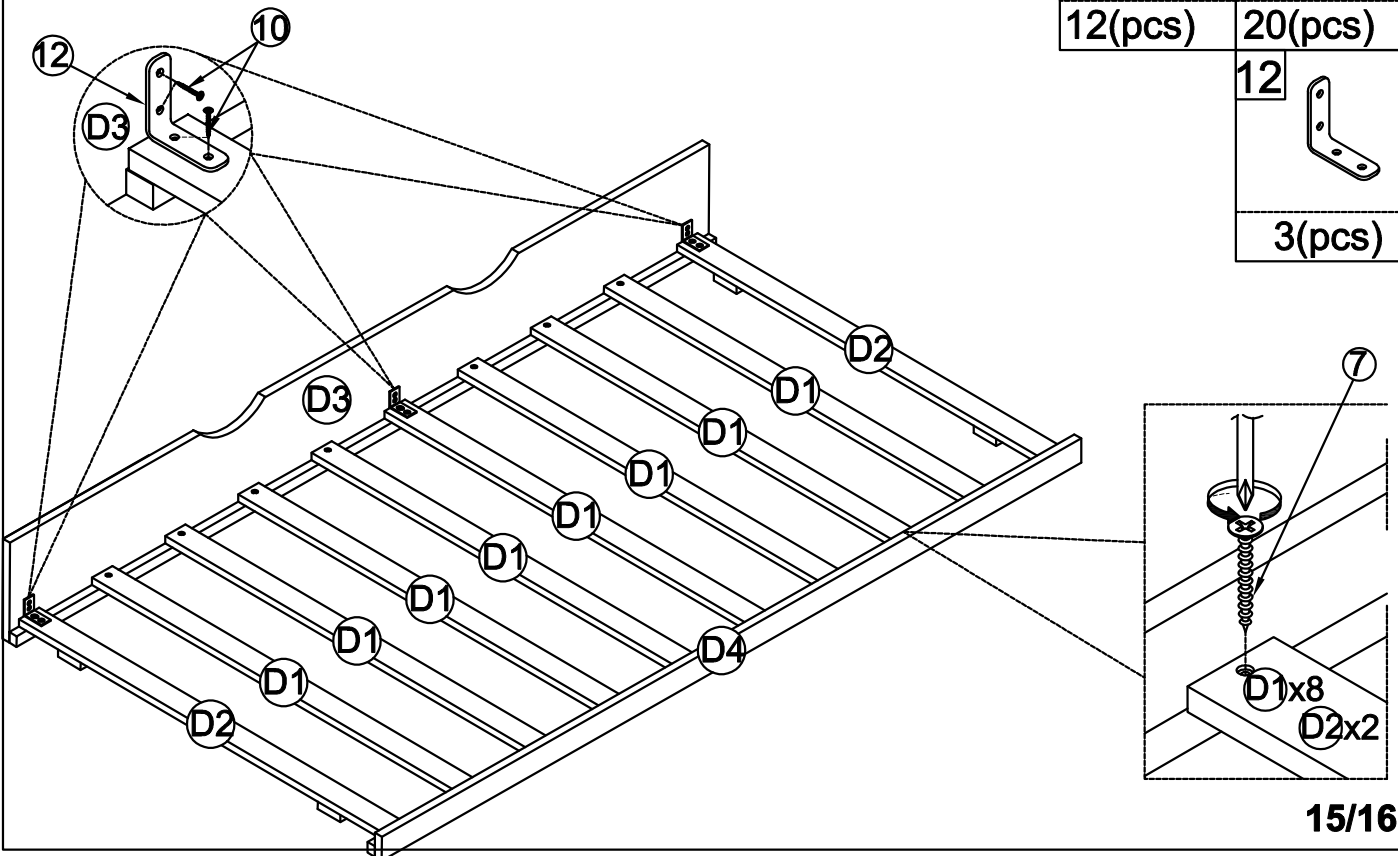
<p>10</p> 	<p>11</p> 
<p>8pcs</p>	<p>4pcs</p>



STEP 11-2: Following below illustration:

-Screw 8 slats D1 and 2 slats D2 with Front Trundle D3 and Back Trundle D4 by using hardware #8.
 -Screw Steel Bracket (#11) with Front Trundle(E1) and slats D,D1 using hardware #9

<p>10</p> 	<p>7</p> 
<p>12(pcs)</p>	<p>20(pcs)</p>
<p>12</p> 	
<p>3(pcs)</p>	



STEP 12: Following below illustration:

-Push Trundle and 3 Drawers in to under Bed

