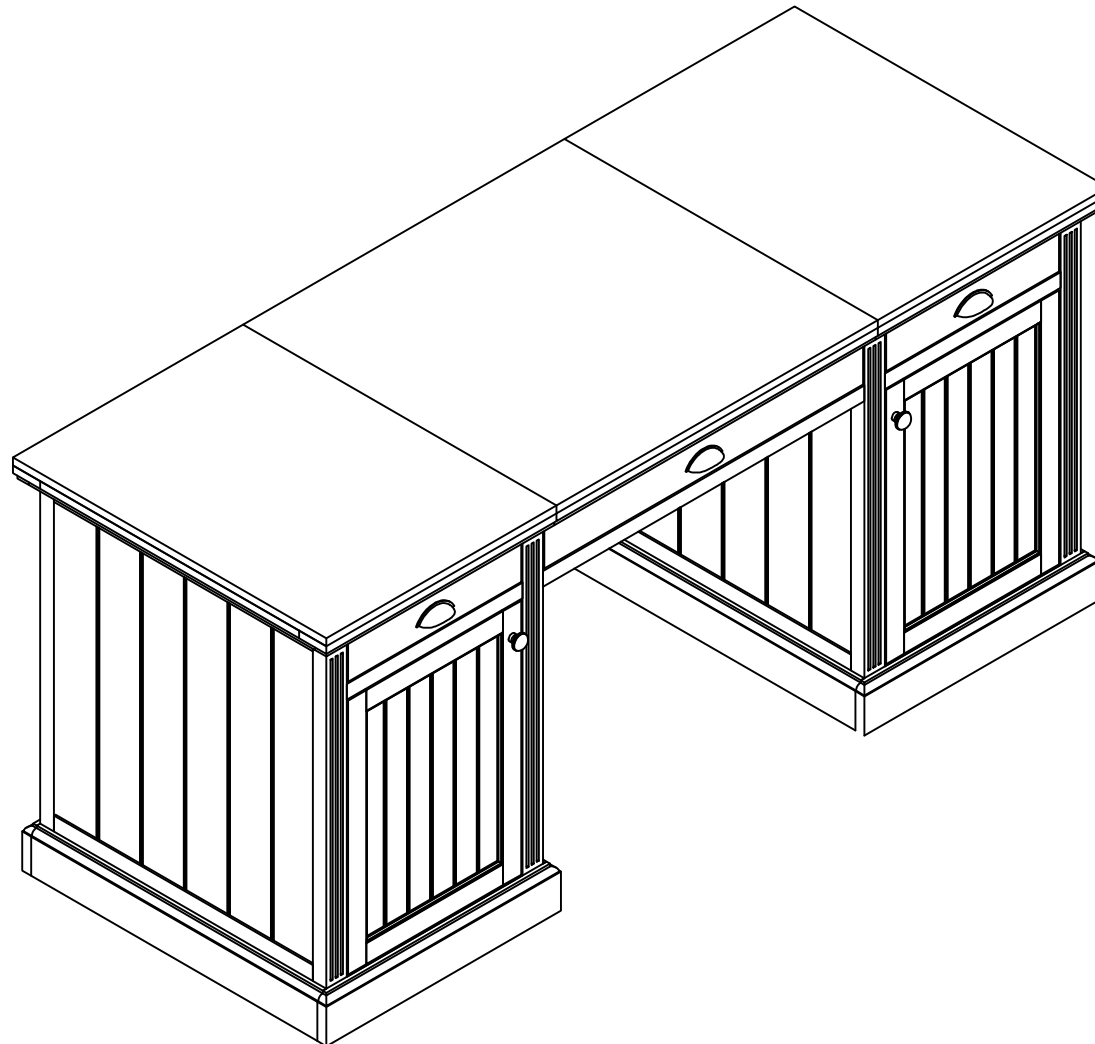


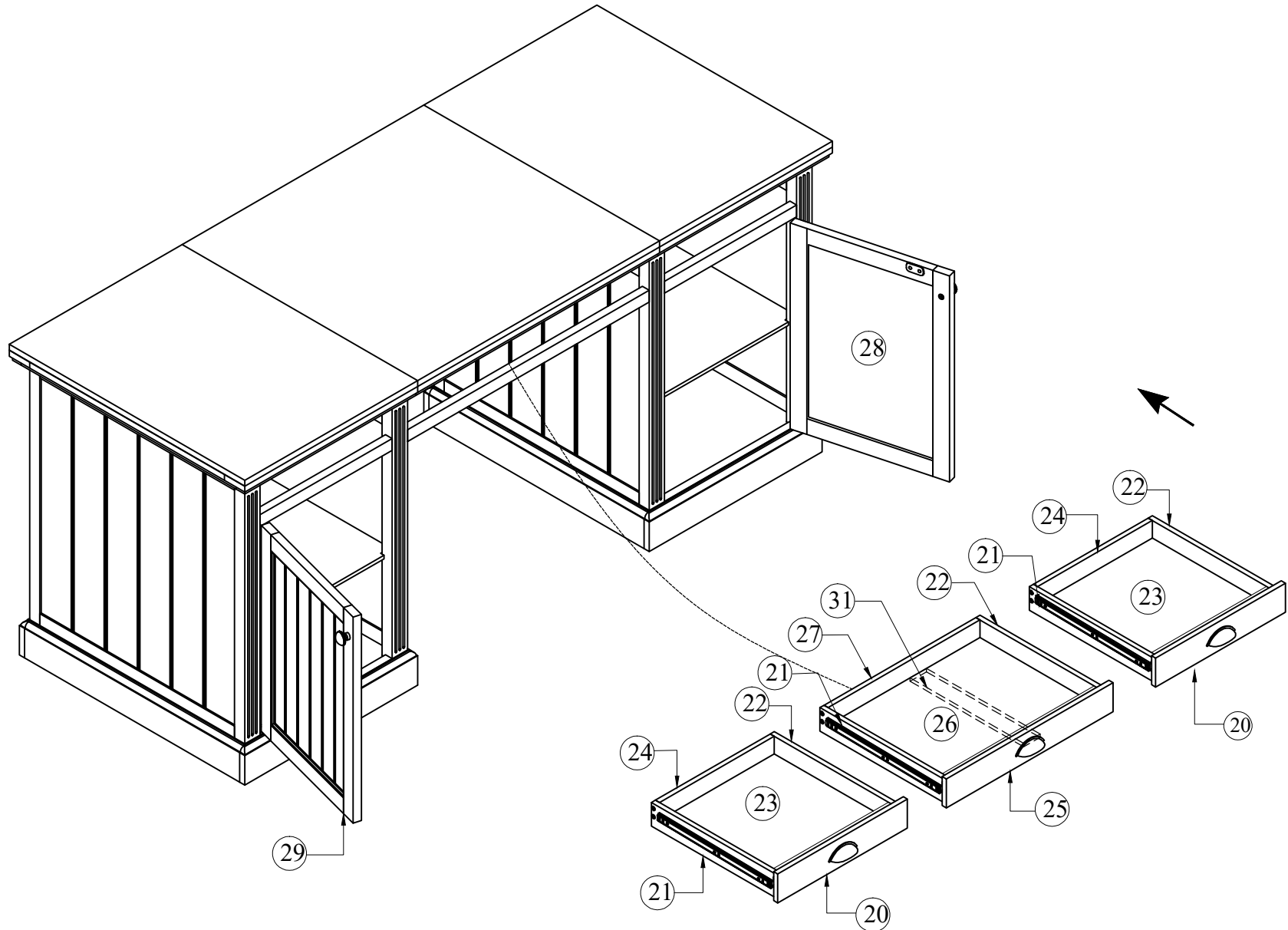
Executive Desk

Assembly Instructions - Please keep for future reference

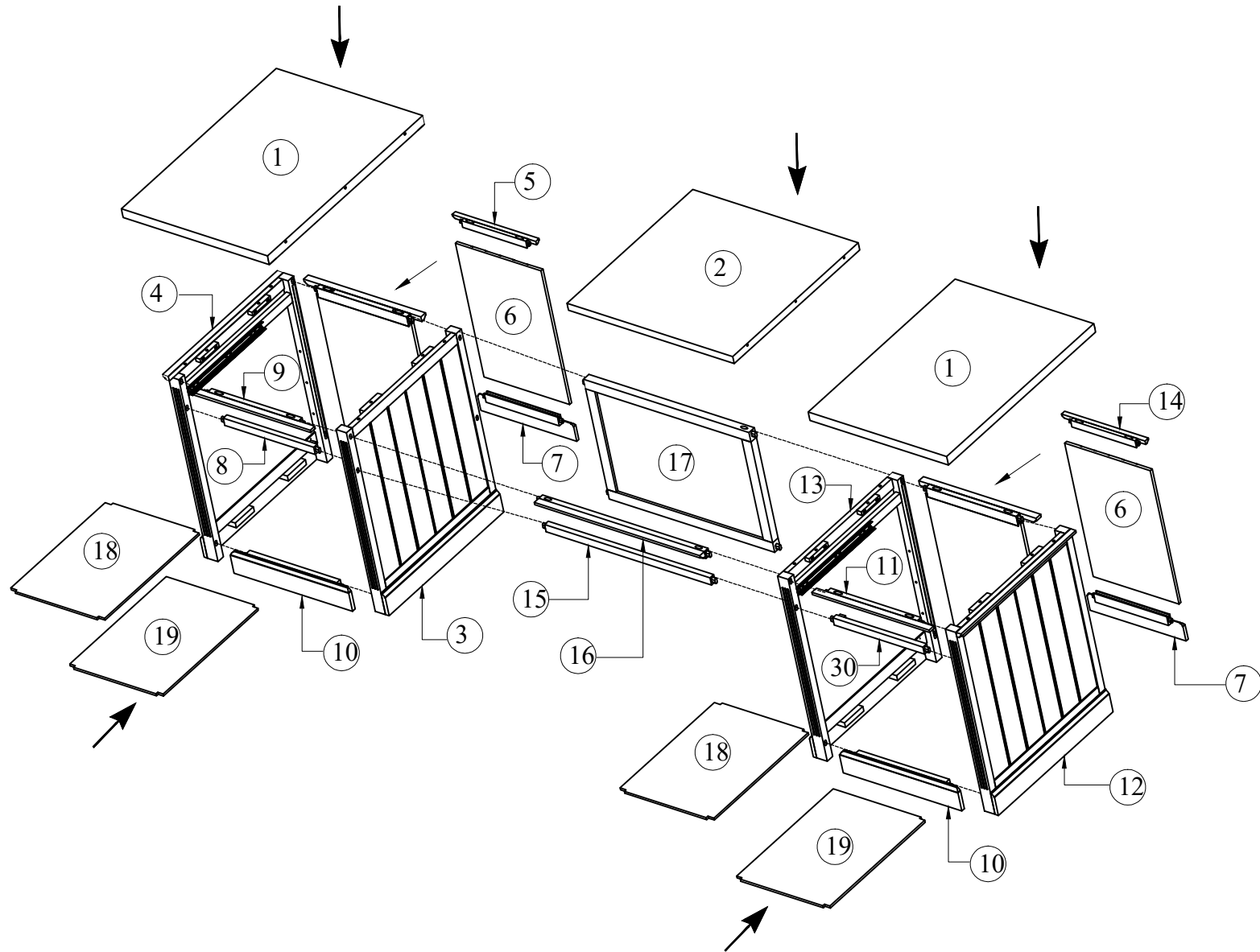
**N751P211942
N751P211943**



ASSEMBLY INSTRUCTIONS

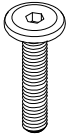

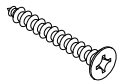


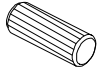
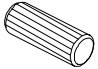





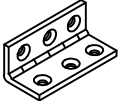
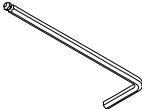


ASSEMBLY INSTRUCTIONS

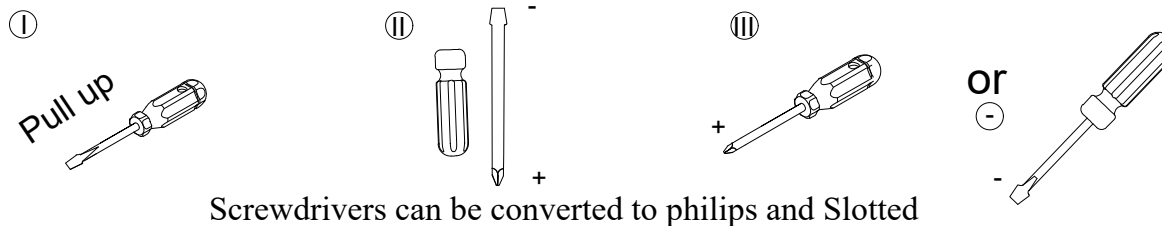


ASSEMBLY INSTRUCTIONS

HARDWARE LIST

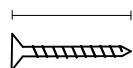
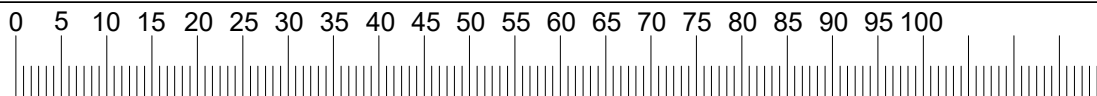
A  1/4x30mm Bolt (8pcs)	B  M4*70mm Screw (8pcs)	C  M4*60mm Screw (16pcs)	D  M4*38mm Screw (25pcs)
E  M4*12mm Screw (24pcs)	F  Dowel Ø8*25 (8pcs)	G  Dowel Ø6*30 (1pcs)	H  Ø35xØ35x30 Wooden handle (2pcs)  5/32x25mm Bolt (2pcs)
I  Clamshell handle (3pcs)  5/32x20mm Bolt (6pcs)	K  Shelf Support Bracket (8pcs)	L  Leaf hinge (4pcs)	M  Allen Key (1pc)

Tool required



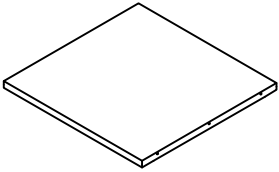
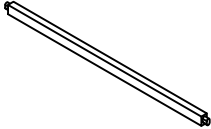
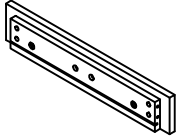
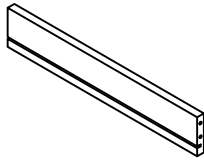
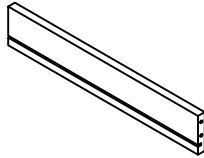
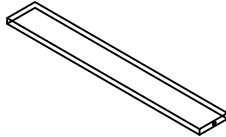
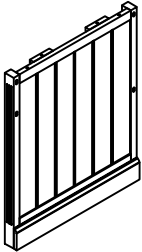
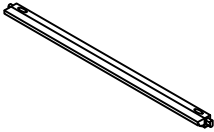
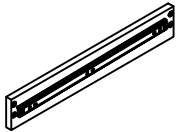
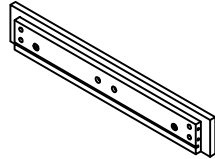
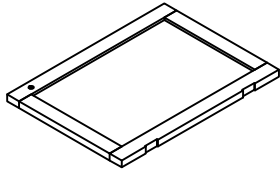
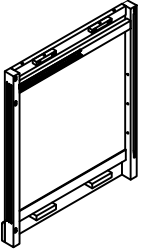
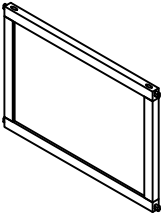
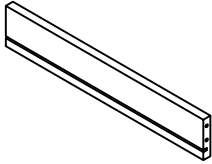
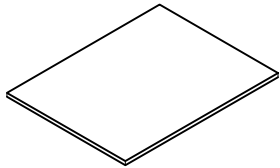
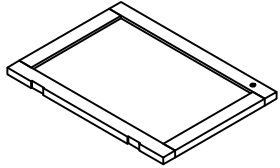
Screwdrivers can be converted to philips and Slotted

Ruler - Use this ruler to help correctly identify the screws

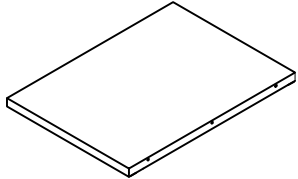
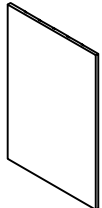
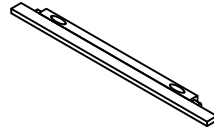
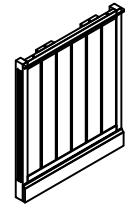
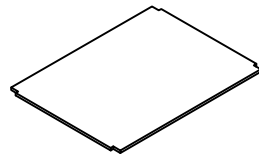
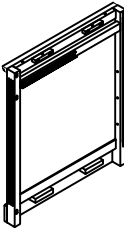
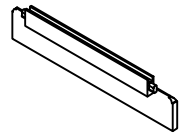
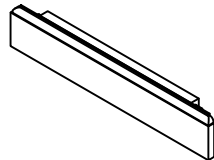
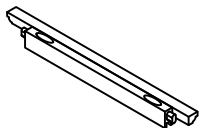
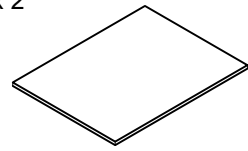
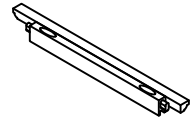
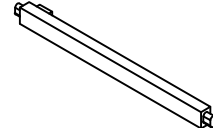
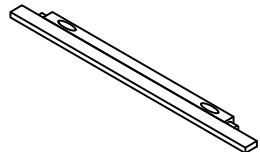
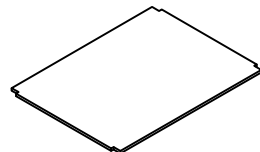
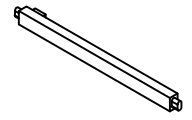


The crews length is measured from the head to th point (35mm screw shown)

CARTON CONTENT N751P211942

<p>② x 1</p>  <p>Center table top</p>	<p>⑮ x 1</p>  <p>Front lower center strut</p>	<p>⑳ x 2</p>  <p>Drawer face</p>	<p>㉔ x 2</p>  <p>Drawer back panel</p>	<p>㉗ x 1</p>  <p>Drawer back panel</p>	<p>㉓ x 1</p>  <p>Drawer bottom support</p>
<p>③ x 1</p>  <p>Left inner hip cluster</p>	<p>⑯ x 1</p>  <p>Front middle upper strut</p>	<p>㉑ x 3</p>  <p>Left side drawer panel</p>	<p>㉕ x 1</p>  <p>Middle drawer face</p>	<p>㉘ x 1</p>  <p>Right door cluster</p>	
<p>⑬ x 1</p>  <p>Right inner hip cluster</p>	<p>⑰ x 1</p>  <p>Middle posterior cluster</p>	<p>㉒ x 3</p>  <p>Right side drawer panel</p>	<p>㉖ x 1</p>  <p>Drawer bottom plate</p>	<p>㉙ x 1</p>  <p>Left door cluster</p>	

CARTON CONTENT **N751P211943**

<p>① x 2</p>  <p>Left and right table top</p>	<p>⑥ x 2</p>  <p>Back plate</p>	<p>⑨ x 1</p>  <p>Top left bar</p>	<p>⑫ x 1</p>  <p>Right outer hip cluster</p>	<p>⑲ x 2</p>  <p>Bottom plate</p>
<p>④ x 1</p>  <p>Left outer hip cluster</p>	<p>⑦ x 2</p>  <p>Bottom bar behind</p>	<p>⑩ x 2</p>  <p>Front lower crossbar</p>	<p>⑭ x 1</p>  <p>Right rear top bar</p>	<p>⑳ x 2</p>  <p>Drawer bottom plate</p>
<p>⑤ x 1</p>  <p>Left rear top bar</p>	<p>⑧ x 1</p>  <p>Front middle bar left</p>	<p>⑪ x 1</p>  <p>Top right bar</p>	<p>⑱ x 2</p>  <p>Mobile shelf</p>	<p>⑳ x 1</p>  <p>Front middle bar right</p>
				<p>HARDWARE</p>

ASSEMBLY INSTRUCTIONS

STEP 1

Ⓑ x 4

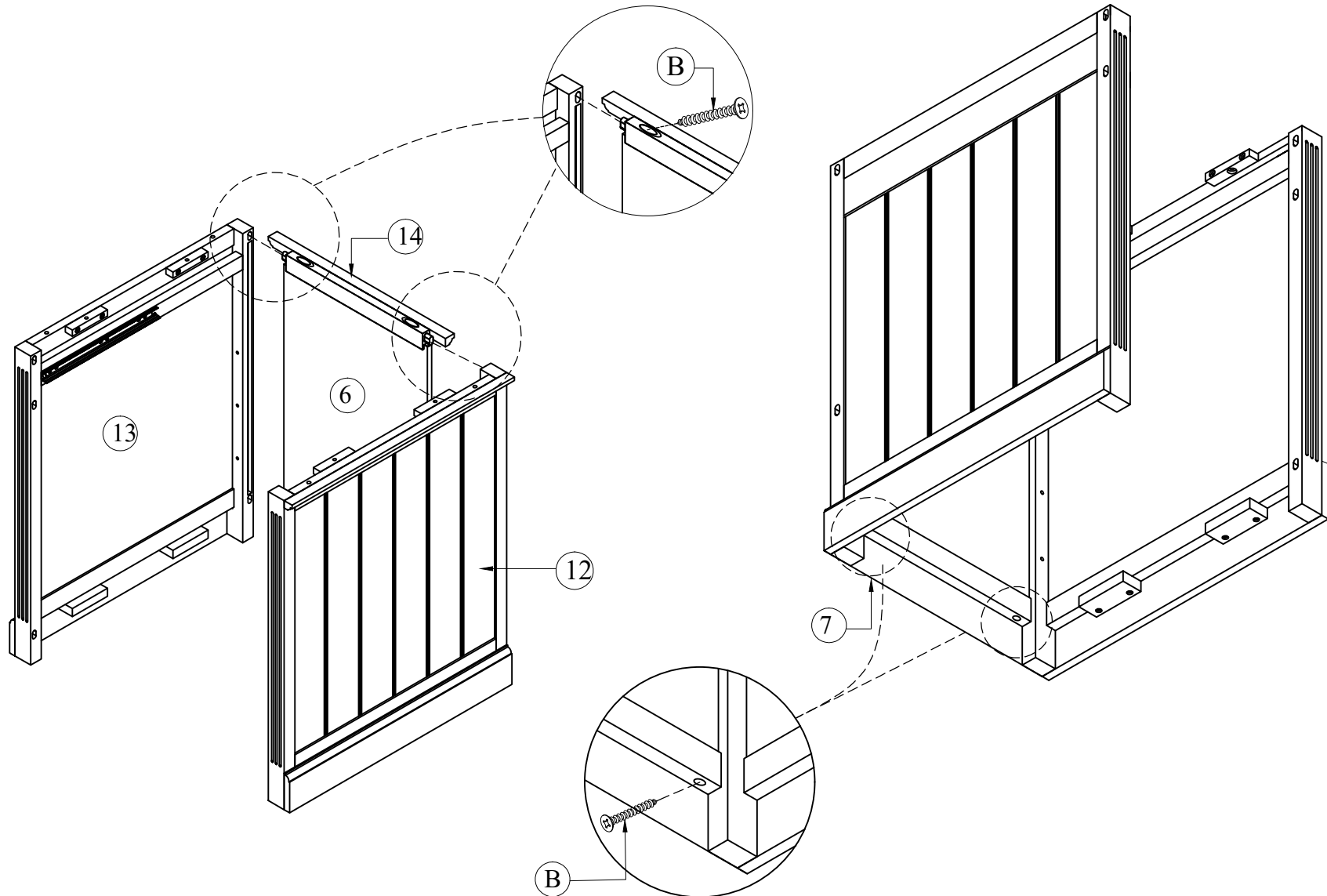
⑥ x 1

⑦ x 1

⑫ x 1

⑬ x 1

⑭ x 1



ASSEMBLY INSTRUCTIONS

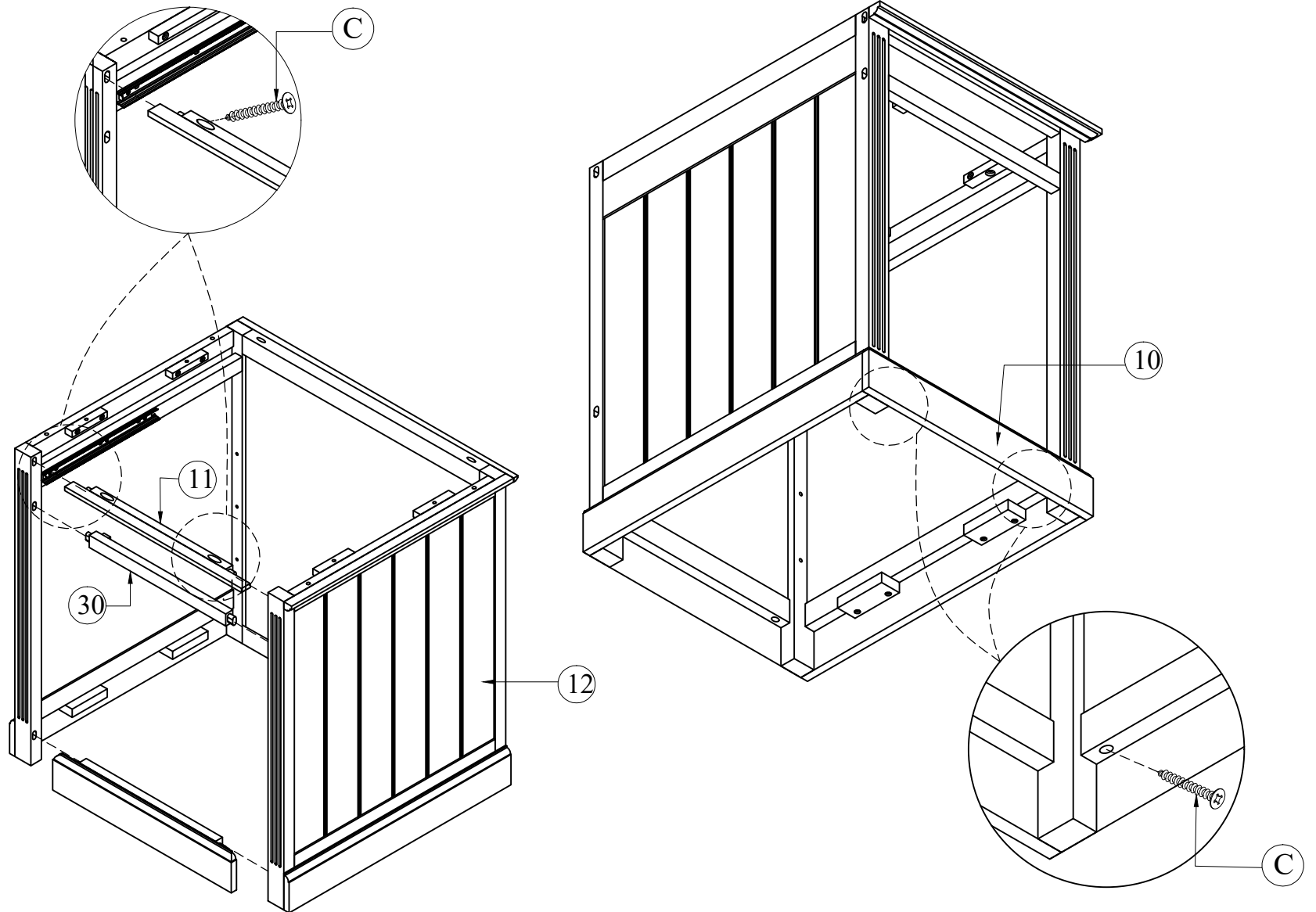
STEP 2

ⓐ x 4

ⓑ x 1

ⓒ x 1

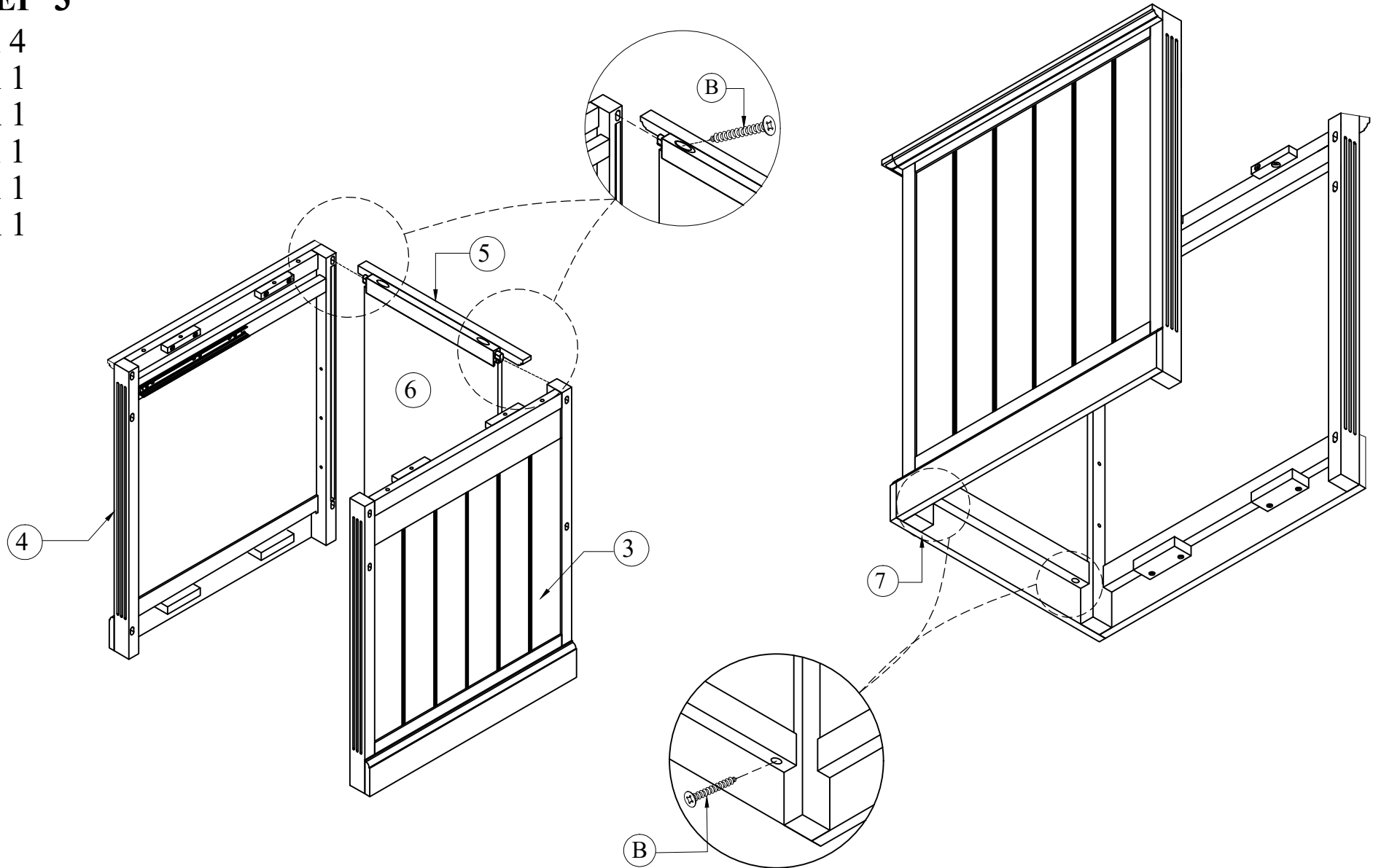
ⓓ x 1



ASSEMBLY INSTRUCTIONS

STEP 3

- Ⓑ x 4
- ③ x 1
- ④ x 1
- ⑤ x 1
- ⑥ x 1
- ⑦ x 1



ASSEMBLY INSTRUCTIONS

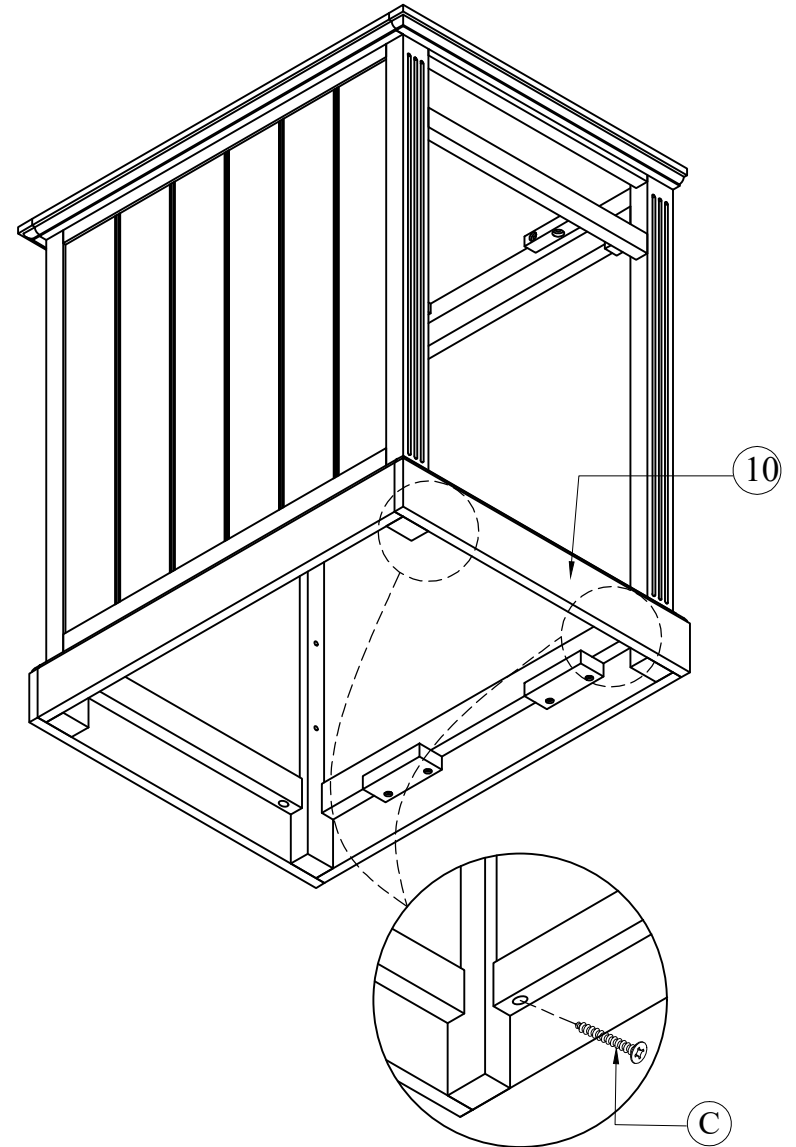
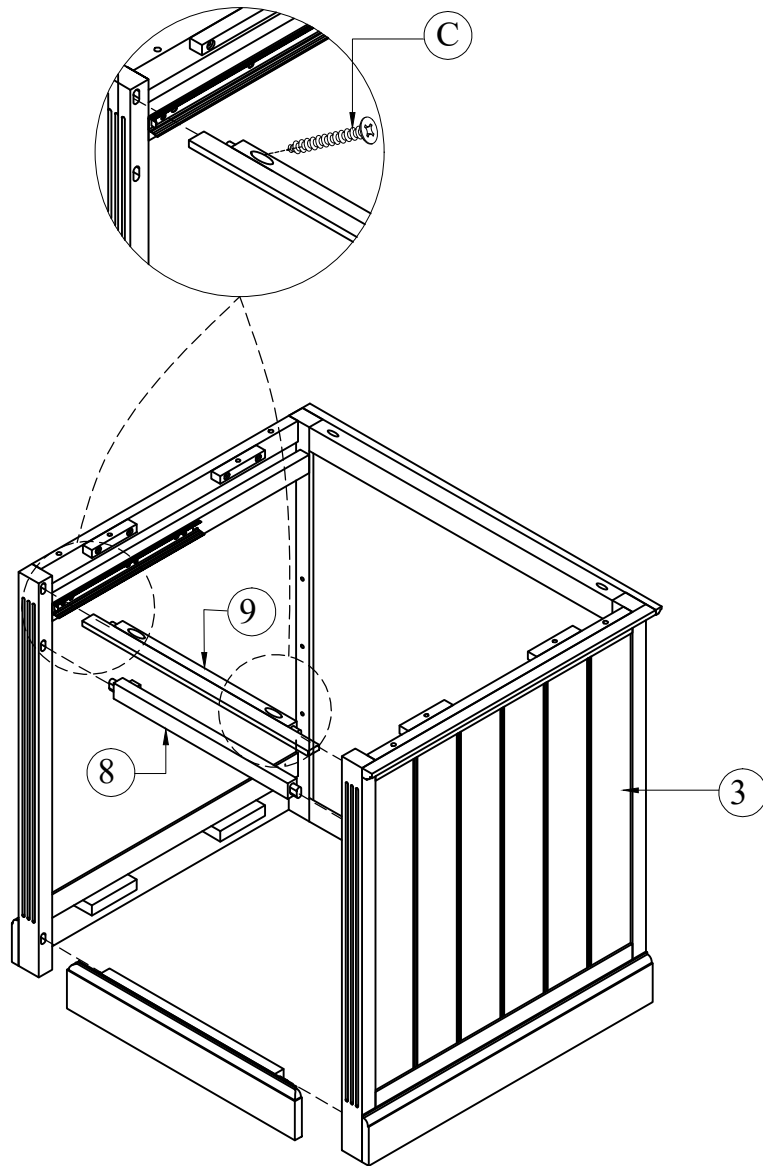
STEP 4

Ⓒ x 4

8 x 1

9 x 1

10 x 1



ASSEMBLY INSTRUCTIONS

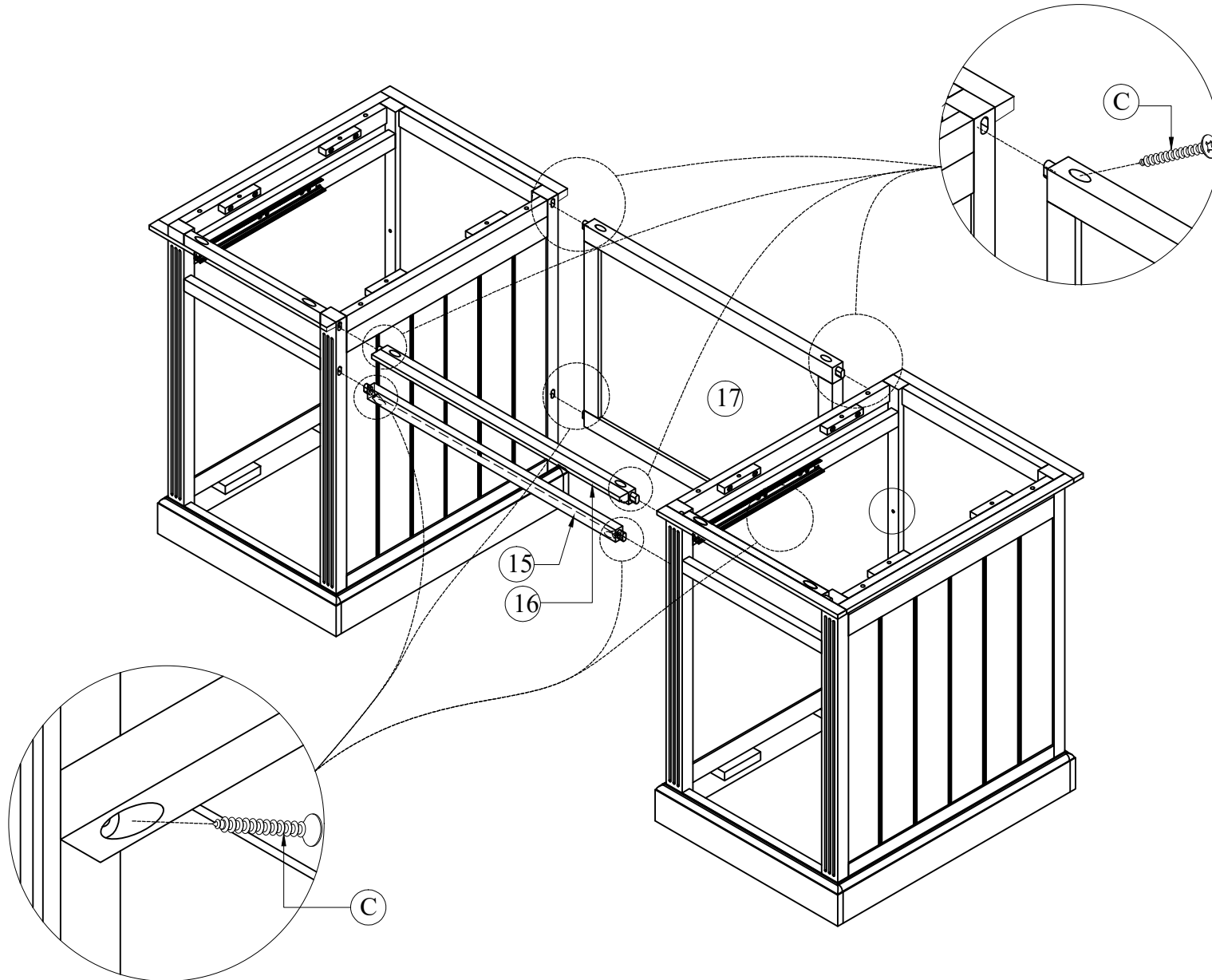
STEP 5

Ⓒ x 8

15 x 1

16 x 1

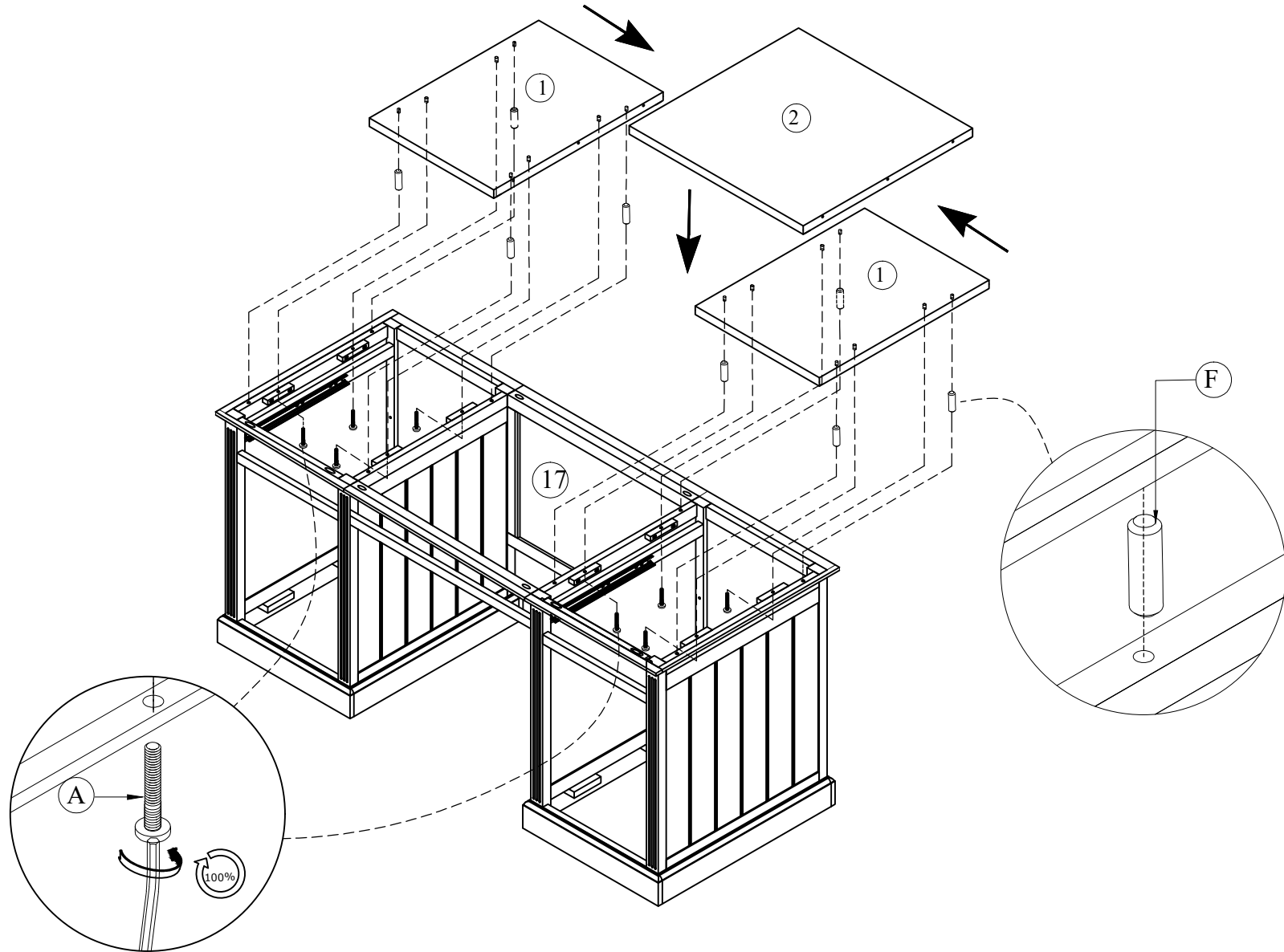
17 x 1



ASSEMBLY INSTRUCTIONS

STEP 6

- Ⓐ x 8
- Ⓕ x 8
- ① x 2
- ② x 1



ASSEMBLY INSTRUCTIONS

STEP 7

x2

ⓓ x 16

ⓐ x 2

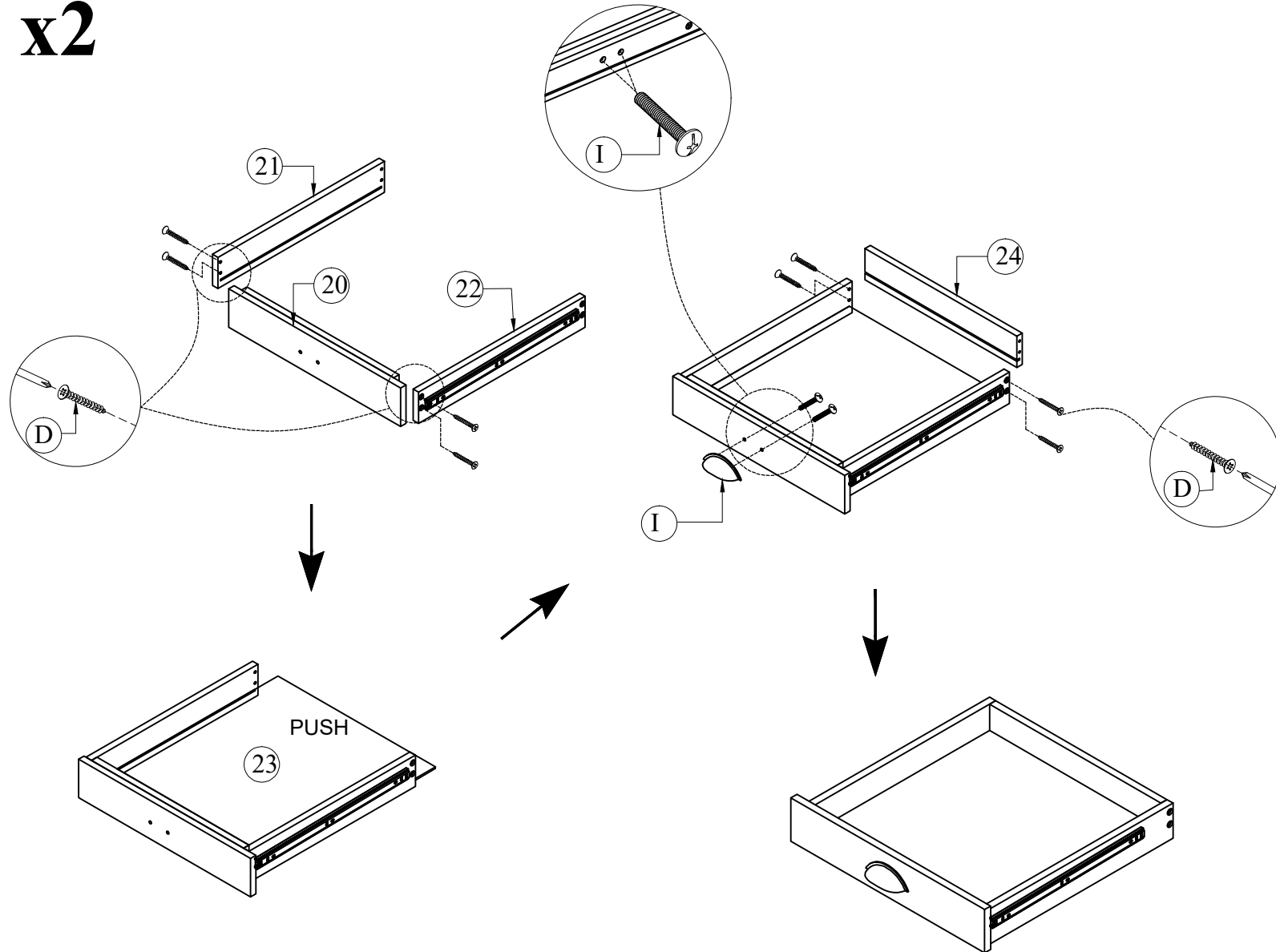
Ⓜ x 2

Ⓝ x 2

Ⓟ x 2

Ⓠ x 2

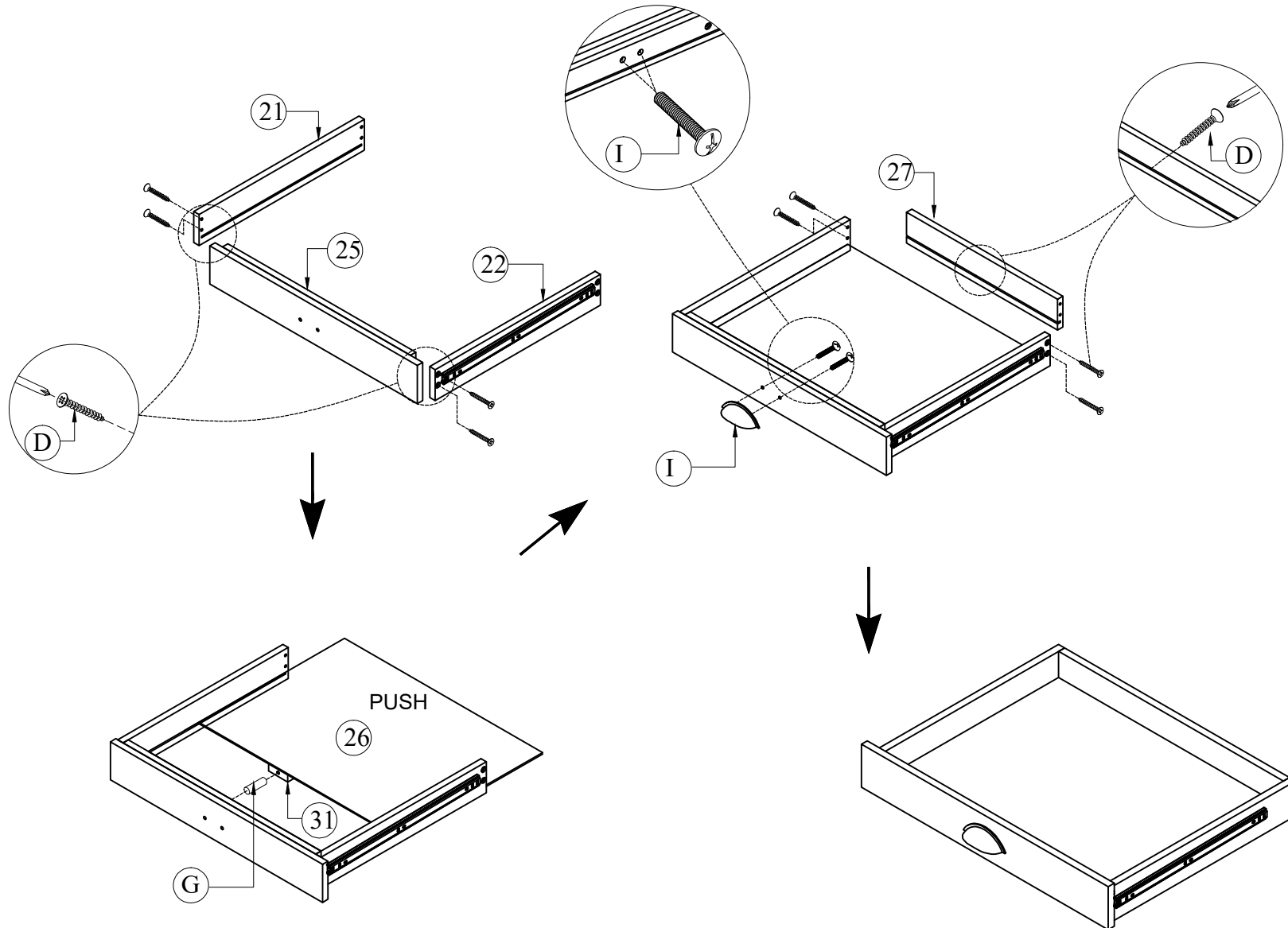
Ⓡ x 2



ASSEMBLY INSTRUCTIONS

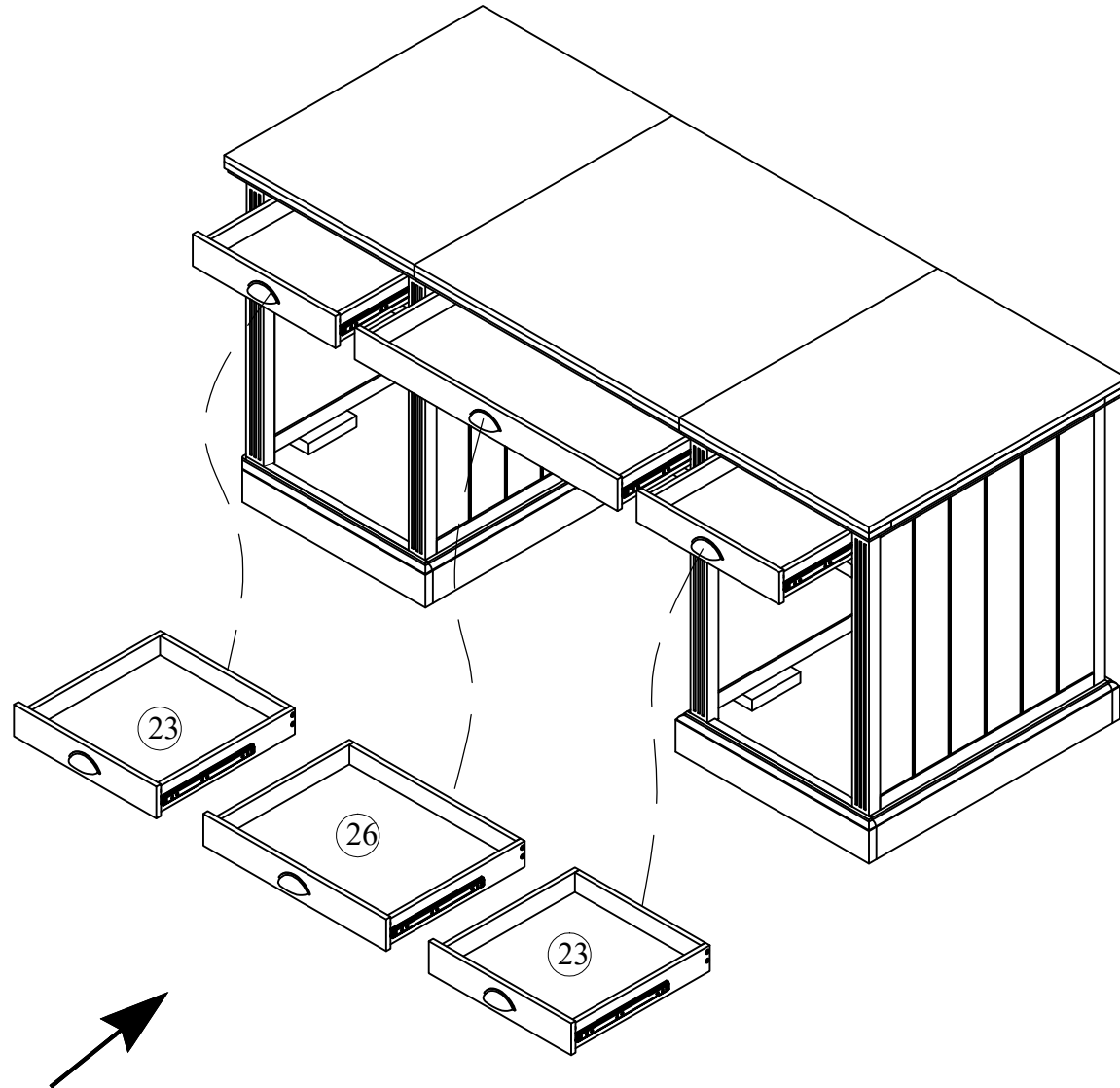
STEP 8

- ⓓ x 9
- ⓖ x 1
- Ⓢ x 1
- ⑳ x 1
- ㉒ x 1
- ㉕ x 1
- ㉖ x 1
- ㉗ x 1
- ㉛ x 1



ASSEMBLY INSTRUCTIONS

STEP 9



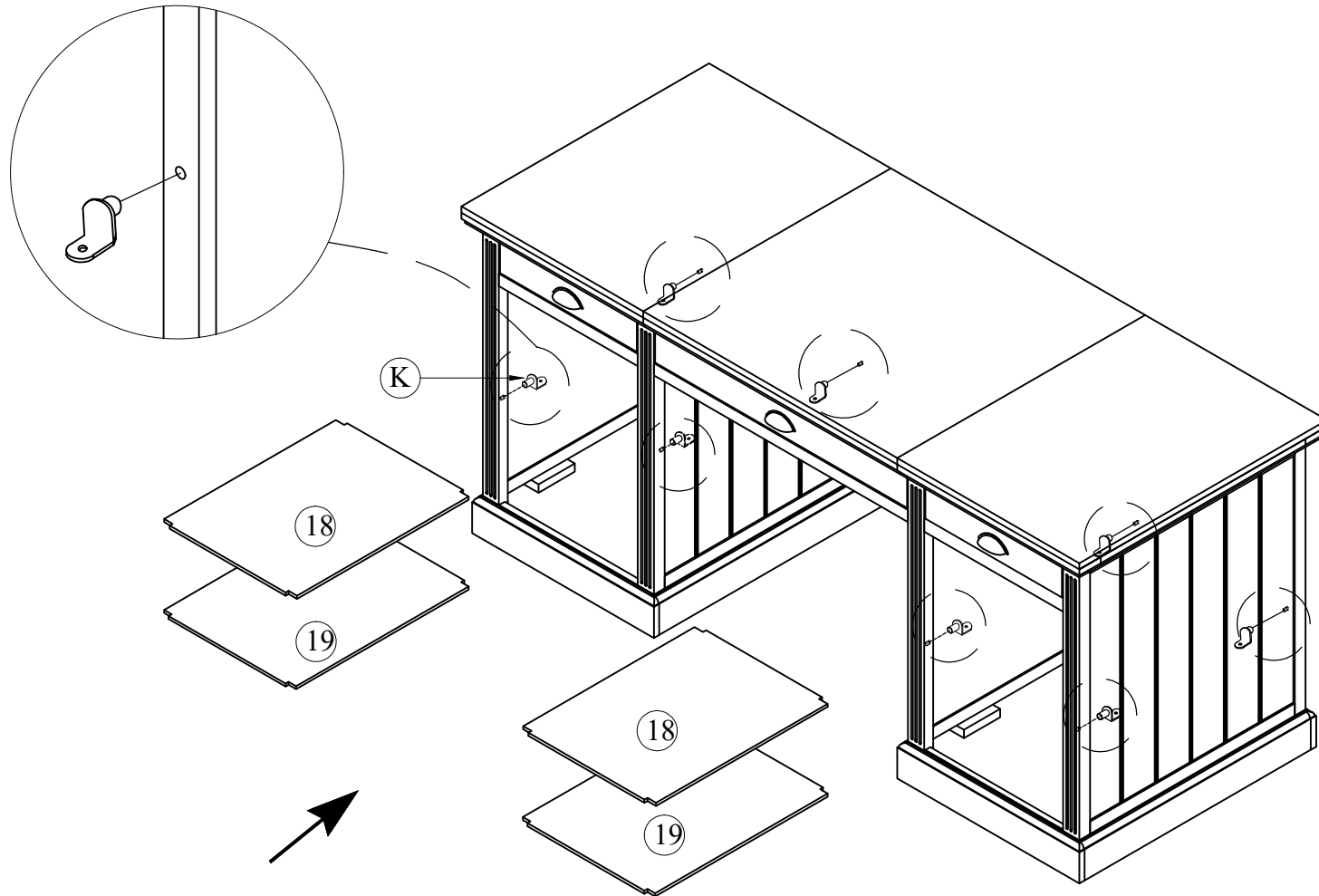
ASSEMBLY INSTRUCTIONS

STEP 10

Ⓚ x 8

18 x 2

19 x 2



ASSEMBLY INSTRUCTIONS

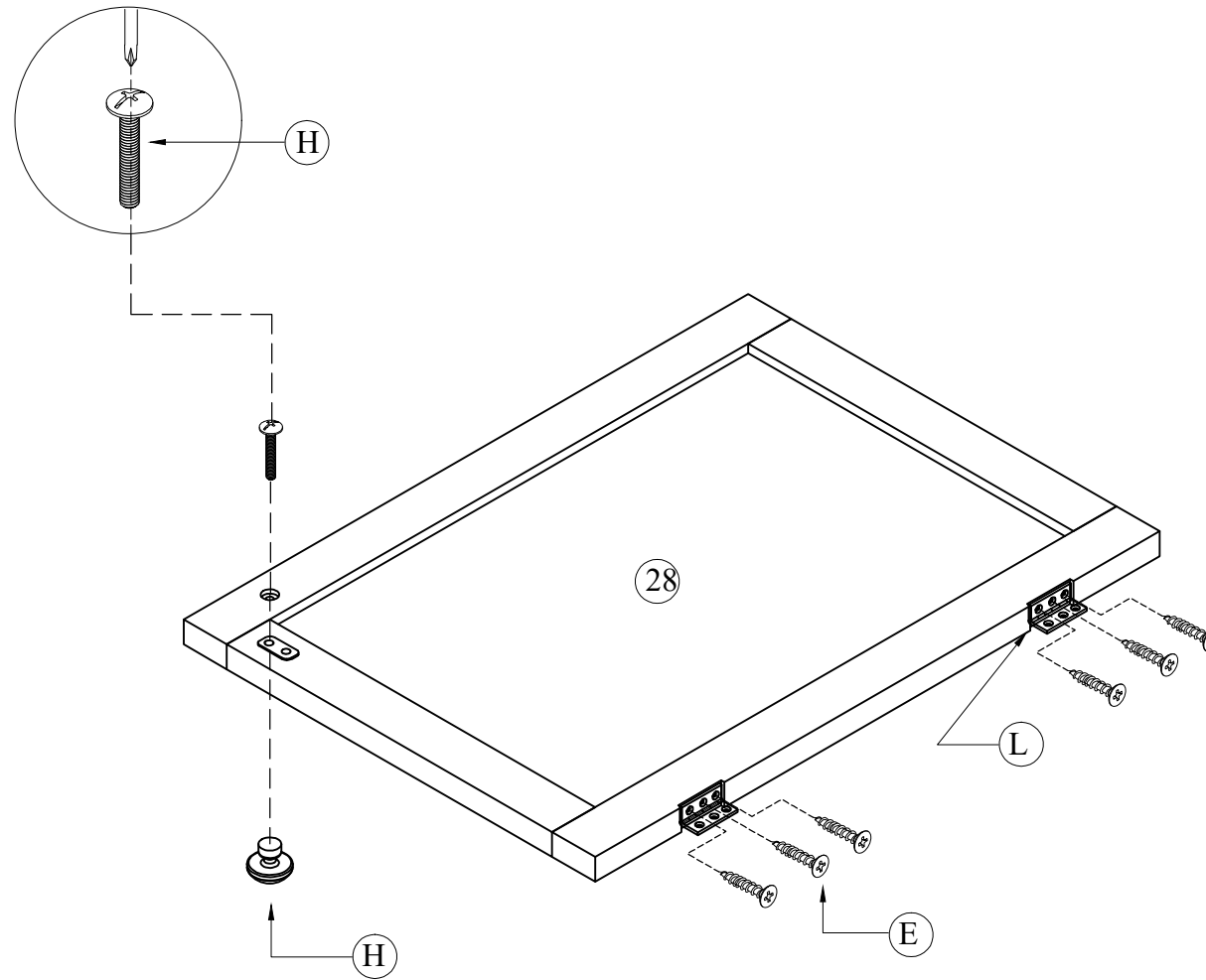
STEP 11

ⓔ x 6

ⓓ x 1

Ⓛ x 2

Ⓜ x 1



ASSEMBLY INSTRUCTIONS

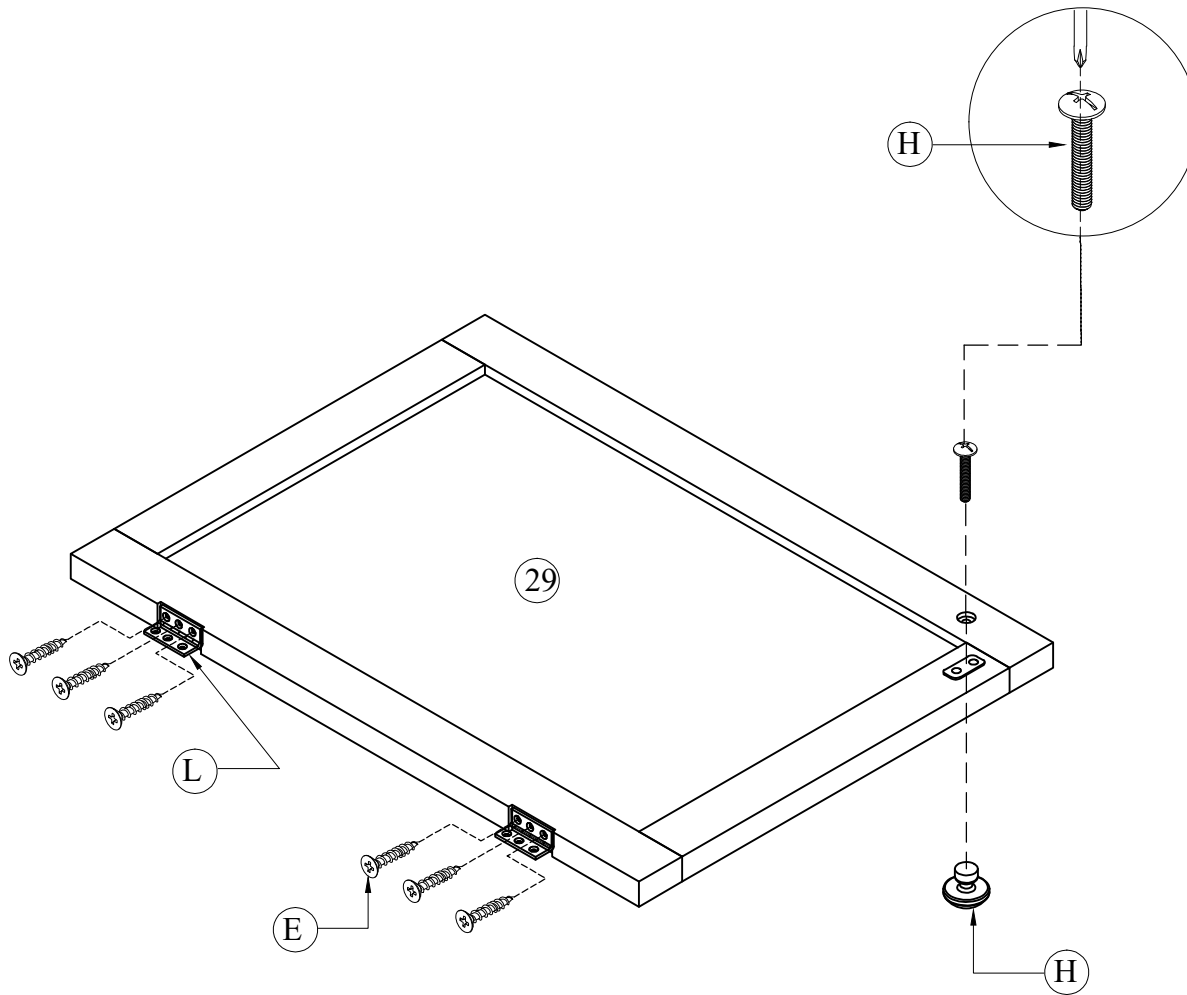
STEP 12

ⓔ x 6

ⓓ x 1

Ⓛ x 2

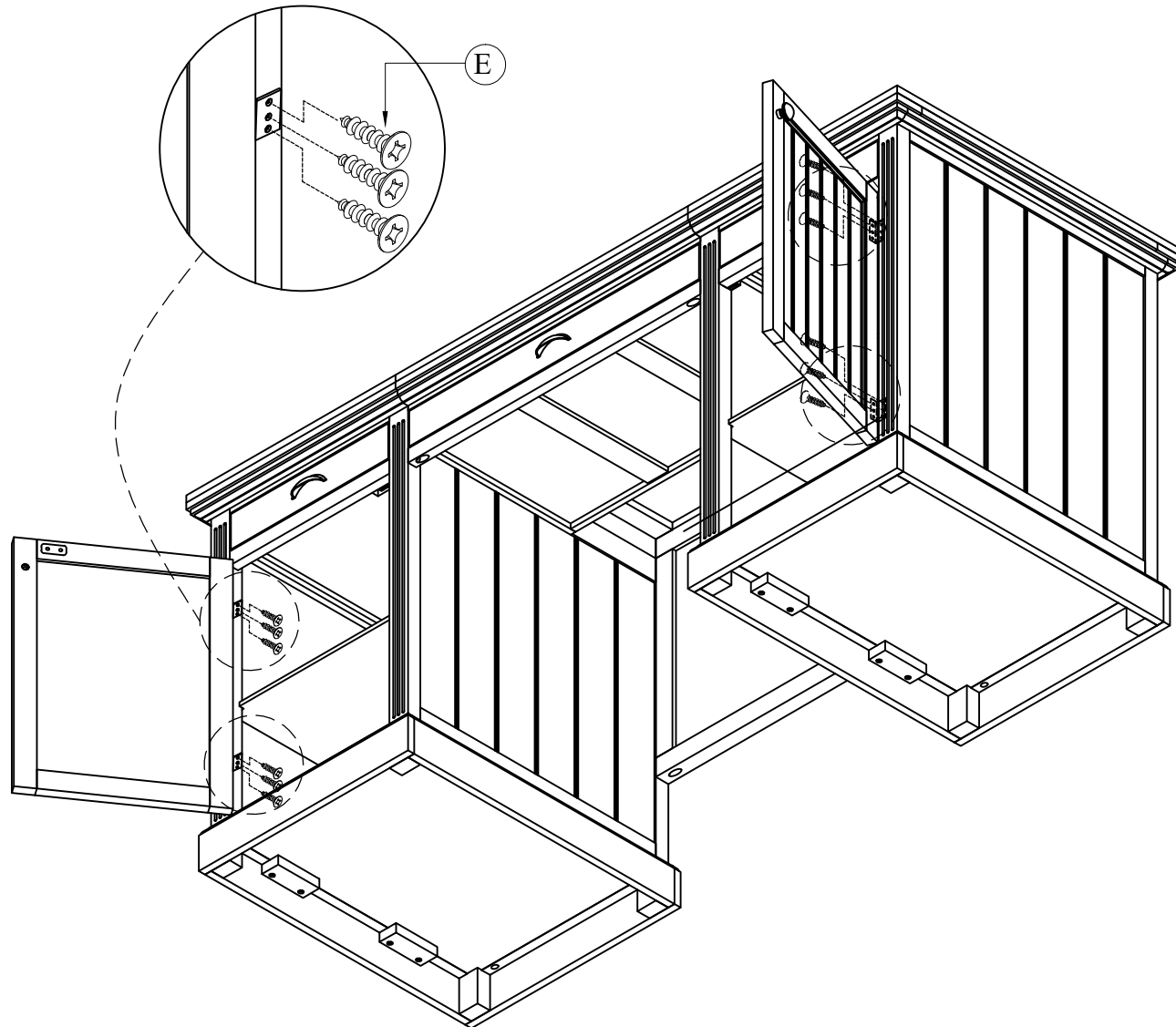
Ⓣ⁹ x 1



ASSEMBLY INSTRUCTIONS

STEP 13

Ⓔ x 12



ASSEMBLY INSTRUCTIONS

FINISH

