



see what Delta can do™ TUB AND SHOWER FAUCET TRIM

- Trinsic® Series
- Valve Only (T17059)
- Shower Only (T17259)
- Tub/Shower (T17459)

FEATURES:

- Monitor® 17 Series pressure balanced bath mixing valve with trim
- Single function H₂Okinetic® Technology shower head

STANDARD SPECIFICATIONS:

- Maintains a balanced pressure of hot and cold water even when a valve is turned on or off elsewhere in the system
- For use with MultiChoice® Universal rough valve body (R10000 Series)
- Back-to-back installation capability
- Solid brass forged body
- Lever volume control handle; temperature adjustment dial
- Field adjustable to limit handle rotation into hot water zone
- Maximum dial rotation adjustable between 90° and 180°
- All parts replaceable from the front of the valve
- Maximum 1.75 gpm @ 80 psi, 6.6 L/min @ 550 kPa
- Tub port maximum flow rate 6.2 gpm @ 60 psi with R10000-UNBX
- Shower arm overall horizontal length = 5 1/2" (138 mm), including threaded ends
- Red/blue pad print temperature indicators on the temperature adjustment dial
- Tub spout adapter included (RP33794) for use with 1/2" CWT Copper Sweat or Slip-On applications
- "-LHD" models indicate less shower head
- Stem extension kit RP77992 can be ordered to allow for an additional 1 3/4" wall thickness. RP77992 ships with chrome escutcheon screws. For special finishes also order RP12630 escutcheon screws in desired finish.

WARRANTY

- Parts and Finish - Lifetime limited warranty; or for commercial purchasers, 10 years for multi-family residential (apartments and condominiums) and 5 years for all other commercial uses, in each case from the date the product is received by the original purchaser or their authorized representative (installation contractor, etc.).
- Electronic Parts and Batteries (if applicable) - 5 years from the date the product is received by the original purchaser or their authorized representative (installation contractor, etc.); or for commercial purchasers, 1 year from the date the product is received by the original purchaser or their authorized representative (installation contractor, etc.). No warranty is provided on batteries.
- Please go to www.deltafaucet.com for the complete details of our limited warranty.



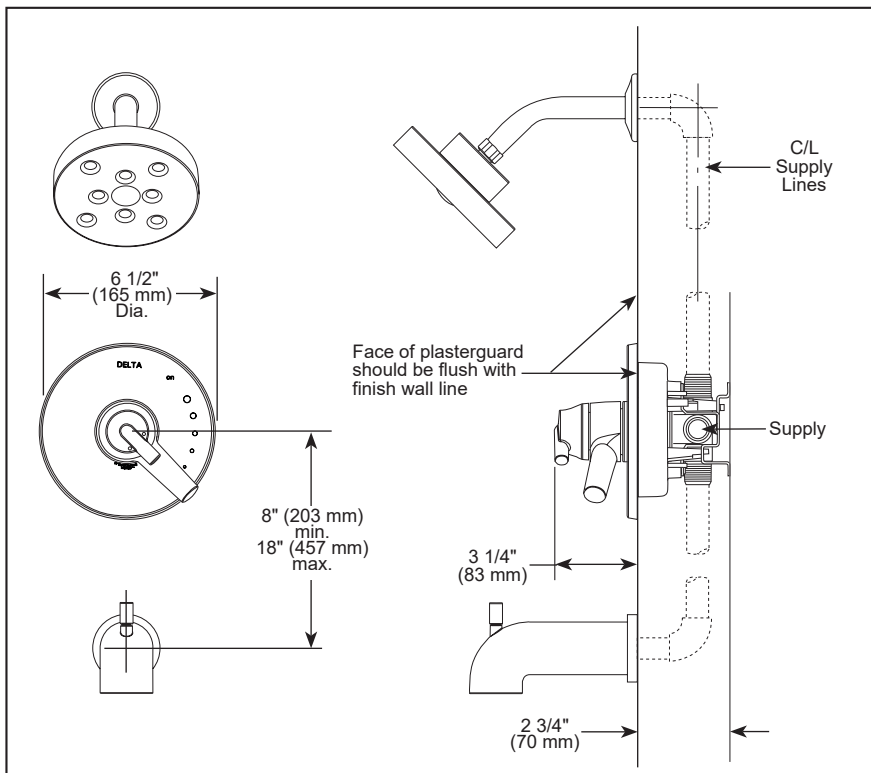
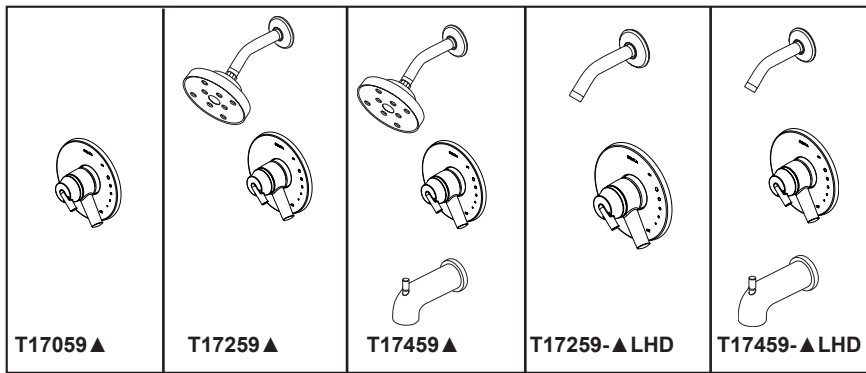
Certified by
CSA Group
SIFUW-10000
FOMMERIE DE SÉRIEUSE
CRÉDIBILITÉ DE RESSOURCES

COMPLIES WITH:

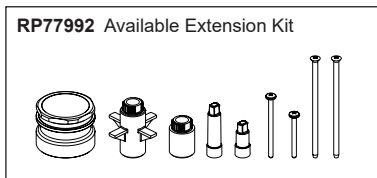
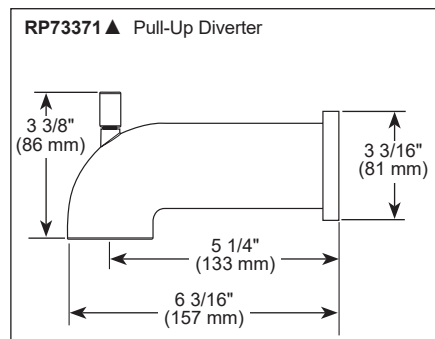
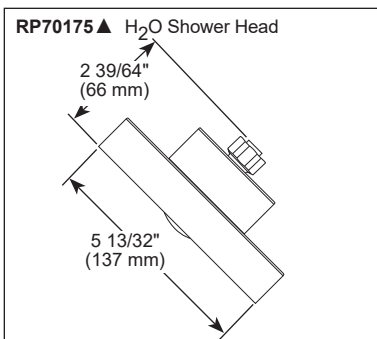
- ASME A112.18.1/ CSA B125.1
- ASSE 1016
- ICC/ANSI A117.1- Valve control only
- EPA WaterSense® - Applies to T17259, T17459, and RP70175 only

Delta Faucet Company

55 E. 111th Street, Carmel, IN 46280
350 South Edgeware Road, St. Thomas, ON N5P 4L1
© 2024 Delta Faucet Company



▲ Designate Proper Finish Suffix



Delta Faucet Company reserves the right (1) to make changes in specifications and materials, and (2) to change or discontinue models, both without notice or obligation. Dimensions are for reference only. See current full-line price book or www.deltafaucet.com for finish options and product availability.