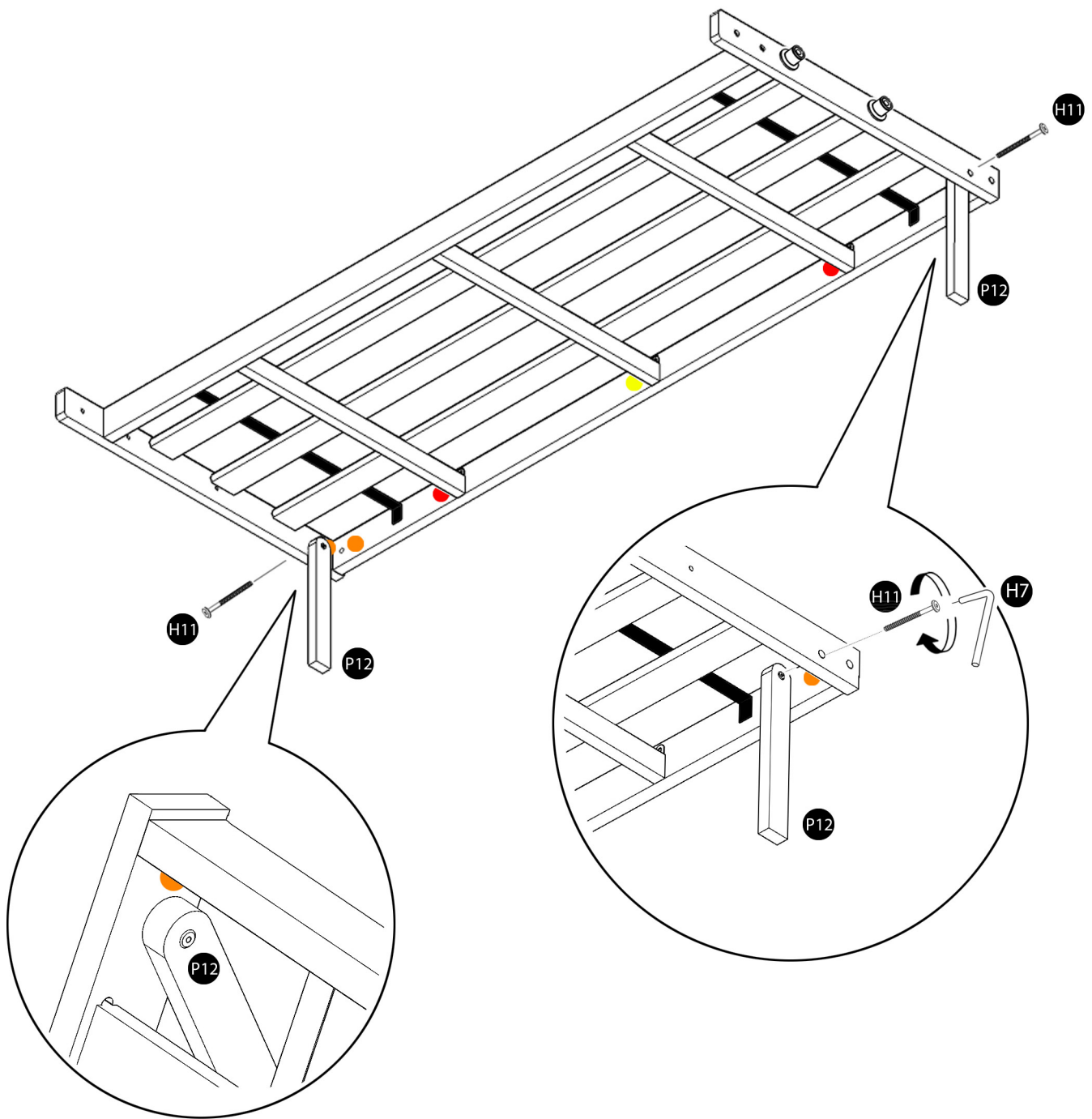


Queen Size Frames

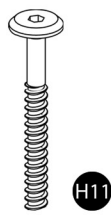
If your frame is queen size, you will need to attach part P12(2)



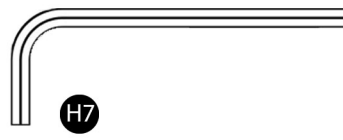
These parts are for a QUEEN SIZE FRAME ONLY



x 2



x 2



x 1