

WARNING!!

Furniture Tipping Risk.

Serious risk of severe or fatal crush injuries can occur from furniture tipping over if not secured.

Children like to climb on furniture and Unsecured furniture can pose a serious danger.

Please follow all instructions and install the tip-over restraints provided.

In addition to installing the restraints, to help prevent tip-over:

- 1. Unless specifically designed to accommodate, do not set TV's or other heavy objects on top of this product.**
- 2. Never allow children to climb or hang on top glass.**
- 3. Do not step on the Table base.**






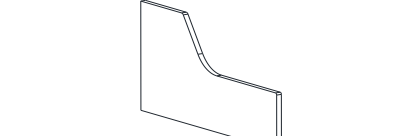
Assembly Instructions

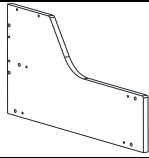

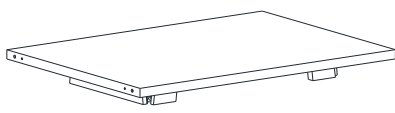
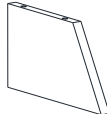
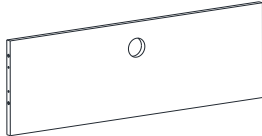
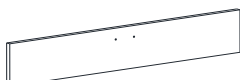




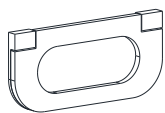

Caution : You must read this before you proceed

OFFICE DESK

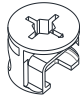


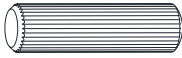




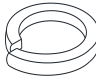


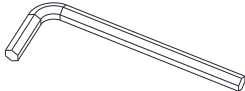

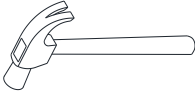



Parts List

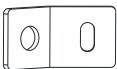
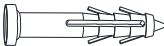

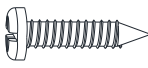

Label	Picture	Description	QTY
AL		Drawer Left Side Rail	1
AR		Drawer Right Side Rail	1
BL		Drawer Left Bottom Rail	1
BR		Drawer Right Bottom Rail	1
C		Top Tray Panel	1
D		Left Side Panel	1

E		Right Side Panel	1
F		Top Panel	1
G		Bottom Panel (with pre-fixed Apron)	1
H		Center Panel	1
I		Back Panel	1
J		Drawer Front Panel	1
K		Drawer Back Panel	1
L		Drawer Side Panel	2
M		Drawer Bottom Panel	1
N		Leg (with pre-fixed PVC Foot)	4
O		Steel Handle	1
P		O-Ring	2

Hardware

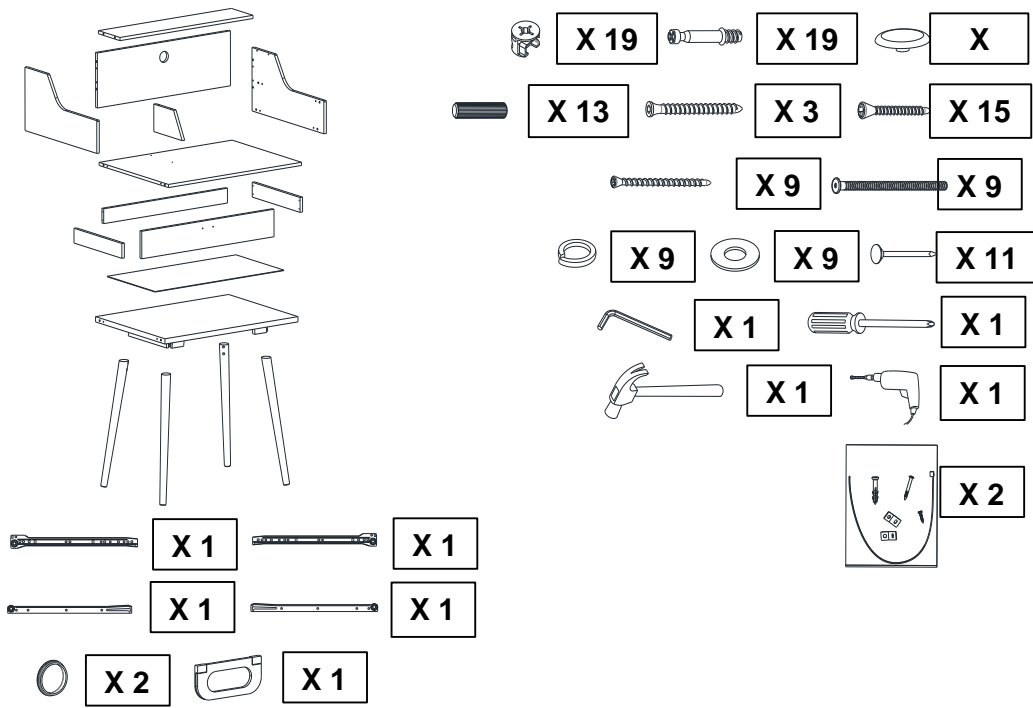
Label	Picture	Description	QTY
①		Cam Lock	19
②		Cam Bolt	19
③		Cam Cap	19
④		Positioning Dowel (8*30mm)	13
⑤		Cap Wood Screw (6*50mm)	3
⑥		Screw (3.5*16mm)	15
⑦		Screw (4*38mm)	9
⑧		Screw (6*70mm)	9
⑨		Spring Washer	9
⑩		Washer	9
⑪		Nail	11
⑫		Allen Key	1
⑬		Screwdriver (not provided)	1
⑭		Hammer (not provided)	1
⑮		Power Drill (not provided)	1






Cabinet Restraint Device Hardware

①6		Metal Bracket	4
①7		Wall Plug	2
①8		Wall Plug Screw	2
①9		Pan Head Screw	2
②0		Cabinet Restraint Strap	2

Assembly Preparation

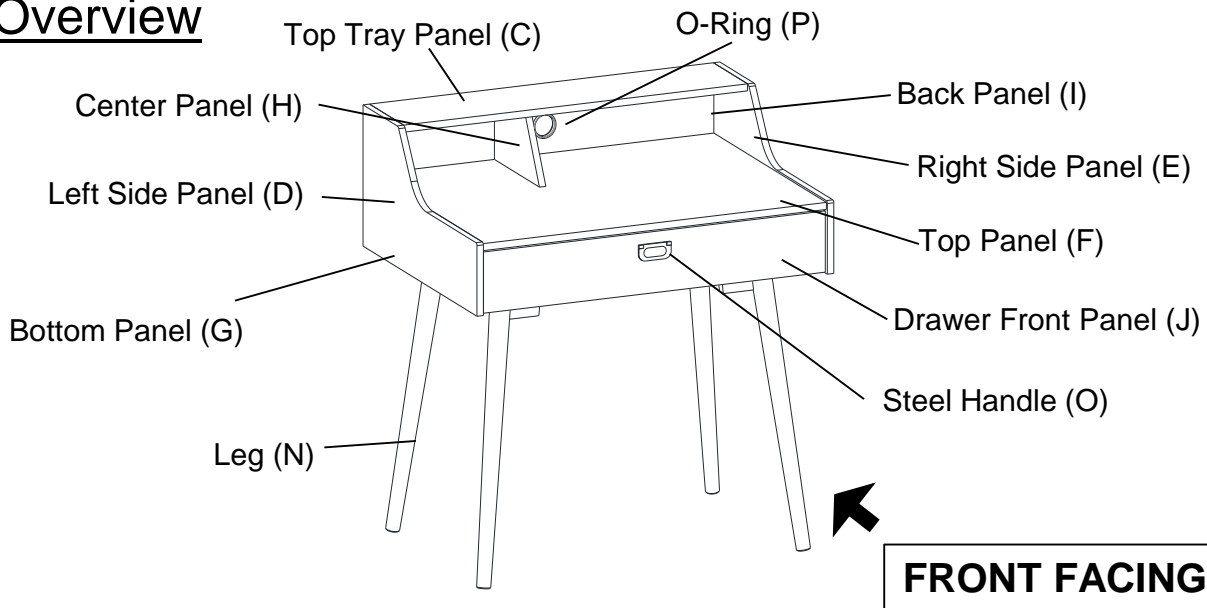
Before Beginning Assembly:



-  • Read instructions, cover to cover-
-  • Have 2 adults on hand for assembly-
-  • Do not assemble on flooring or carpet-
-  • Assemble on a clean non-marring surface (packing foam)-
-  • Save all packaging until finished-

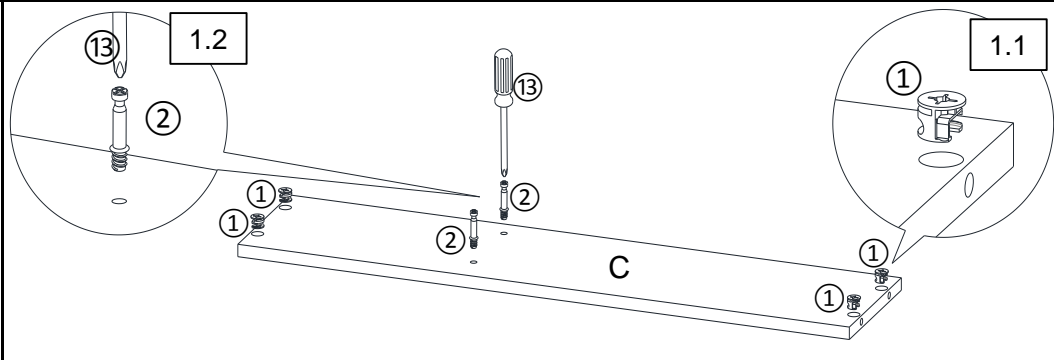
Assembly Steps

Overview



This Office Desk has multiple parts and may require up to 60 minutes to assemble. To give you an overview of the Office Desk parts, the above picture is to help you put the various parts into perspective. Please read through the instructions below to familiarise yourself with the parts and steps before assembly.

Step 1

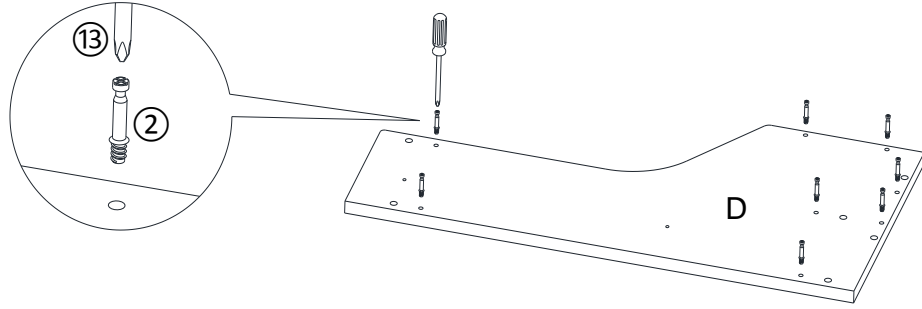


Unpack and place all parts on a clean, non-marring surface.

1.1) Insert Cam Locks(①) into mounting positions on Top Tray Panel(C) by hand.

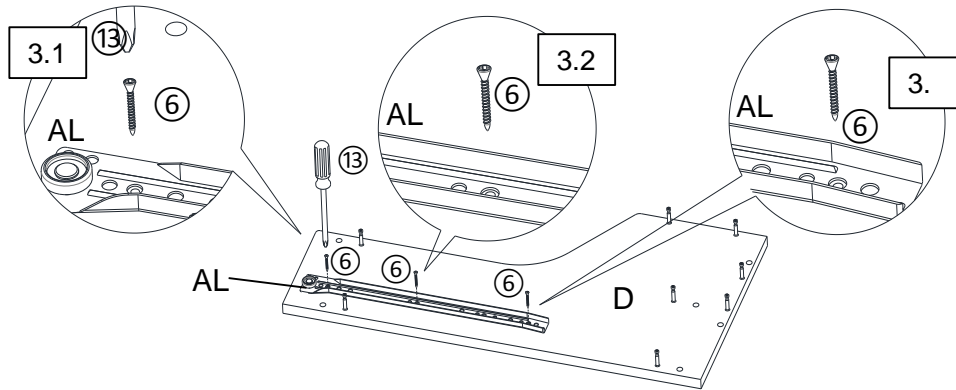
1.2) Attach Cam Bolts(②) to mounting positions on Top Tray Panel(C) with Screwdriver(⑬).

Step 2



Attach Cam Bolts(②) to mounting positions on Left Side Panel(D) with Screwdriver(⑬).

Step 3

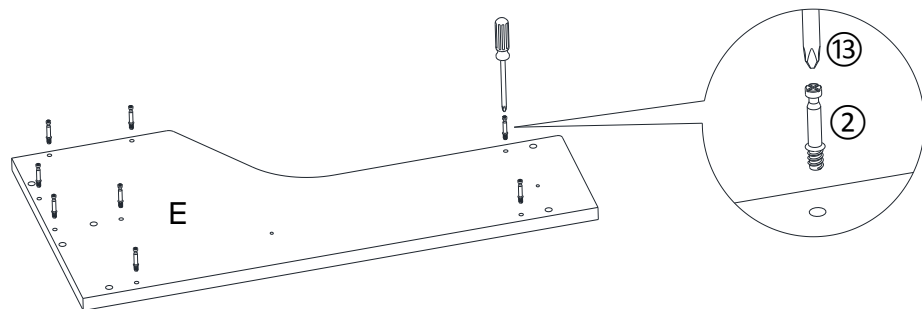


3.1) Attach Drawer Left Side Rail(AL) to Left Side Panel(D) using Screws(⑥) with Screwdriver(⑬) where indicated.

3.2) Attach Drawer Left Side Rail(AL) to Left Side Panel(D) using Screw(⑥) with Screwdriver(⑬) where indicated.

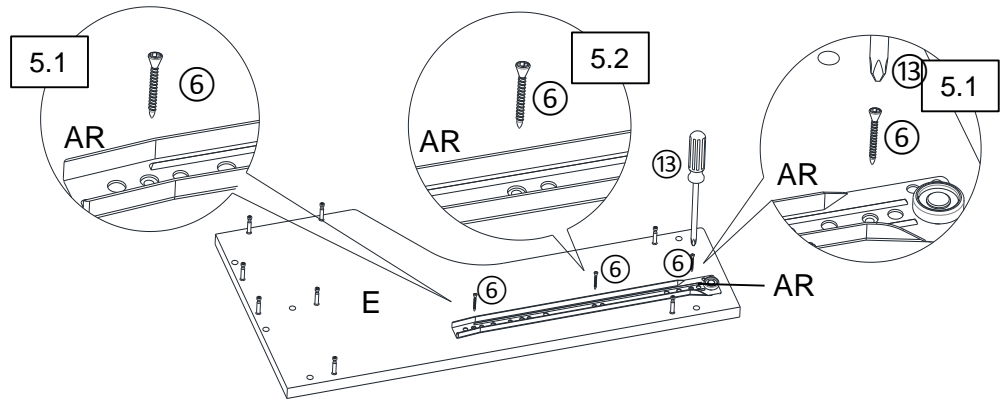
Note: There are pre-existing mounting positions on the Left Side Panel(D) to attach the Drawer Left Side Rail(AL). Tighten the Screws fully in a sequential manner.

Step 4



Attach Cam Bolts(②) to mounting positions on Right Side Panel(E) with Screwdriver(⑬).

Step 5

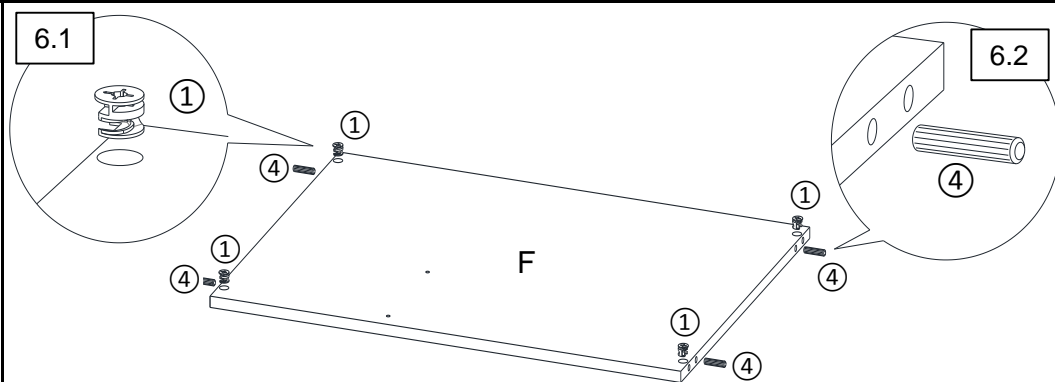


5.1) Attach Drawer Right Side Rail(AR) to Right Side Panel(E) using Screws(⑥) with Screwdriver(⑬) where indicated.

5.2) Attach Drawer Right Side Rail(AR) to Right Side Panel(E) using Screw(⑥) with Screwdriver(⑬) where indicated.

Note: There are pre-existing mounting positions on the Right Side Panel(E) to attach the Drawer Right Side Rail(AR).
Tighten the Screws fully in a sequential manner.

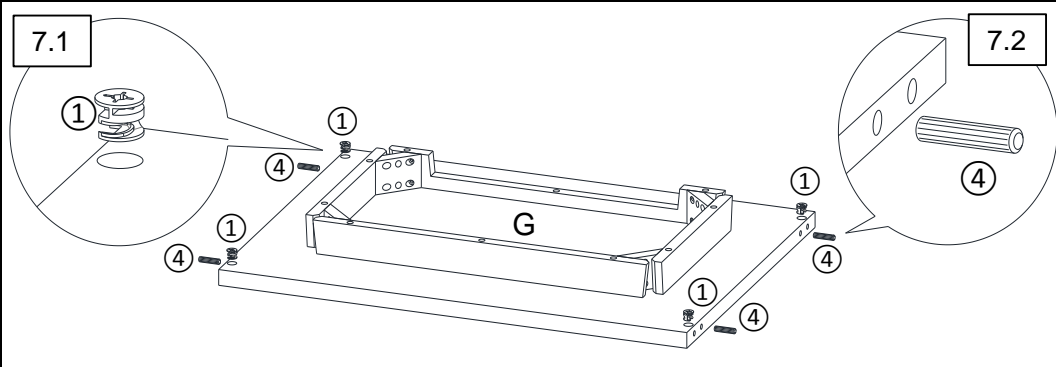
Step 6



6.1) Insert Cam Locks(①) into mounting positions on Top Panel(F) by hand.

6.2) Insert Positioning Dowels(④) into mounting positions on Top Panel(F) by hand.

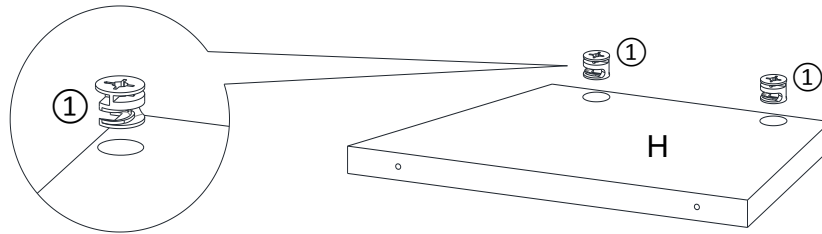
Step 7



7.1) Insert Cam Locks(①) into mounting positions on Bottom Panel(G) by hand.

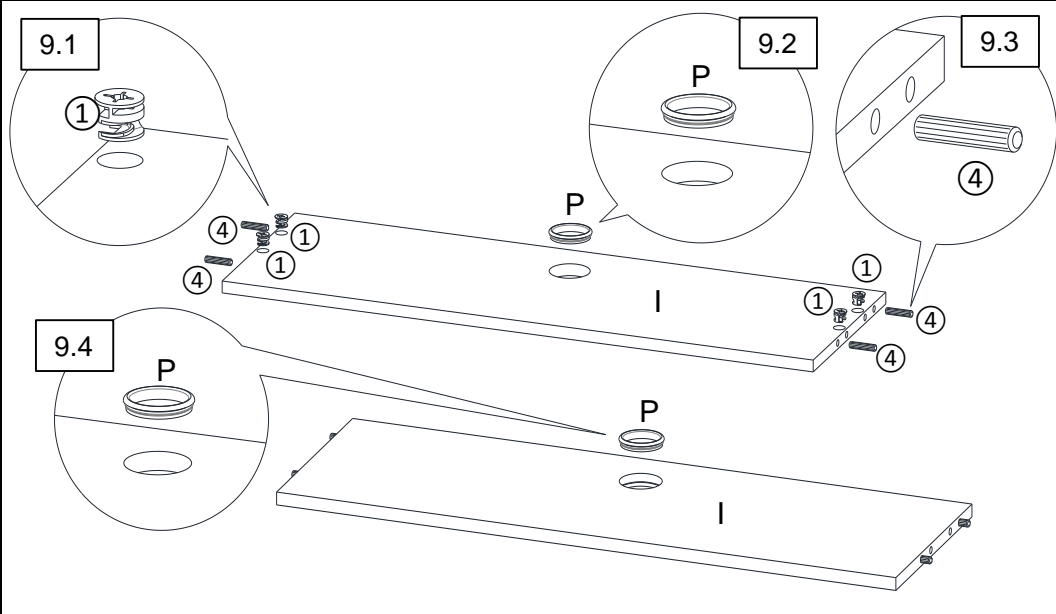
7.2) Insert Positioning Dowels(④) into mounting positions on Bottom Panel(G) by hand.

Step 8



Insert Cam Locks(①) into mounting positions on Center Panel(H) by hand.

Step 9



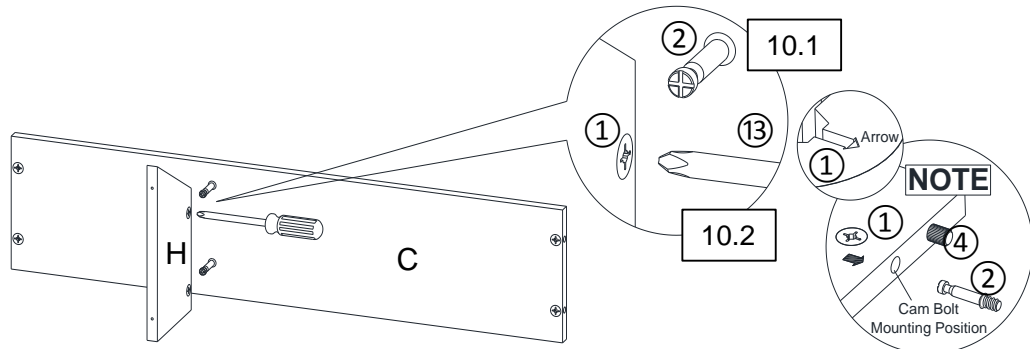
9.1) Insert Cam Locks(①) into mounting positions on Back Panel(I) by hand.

9.2) Insert O-Ring(P) into mounting positions on Back Panel(I) by hand.

9.3) Insert Positioning Dowels(④) into mounting position on Back Panel(I) by hand.

9.4) Flip Back Panel(I) to opposite face. Insert O-Ring(P) into mounting position on Back Panel(I) by hand.

Step 10

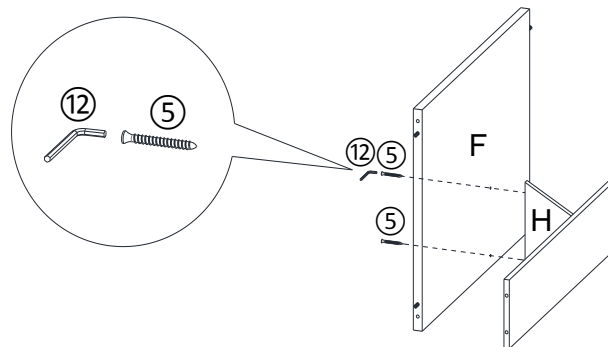


Note: Ensure the arrows on Cam Locks head points towards the Cam Bolt mounting positions.

10.1) Insert the Cam Bolts(②) on Top Panel(C) into mounting positions on side of Center Panel(H).

10.2) Turn the Cam Locks(①) clockwise with the Screwdriver(⑬) until they all lock into place.

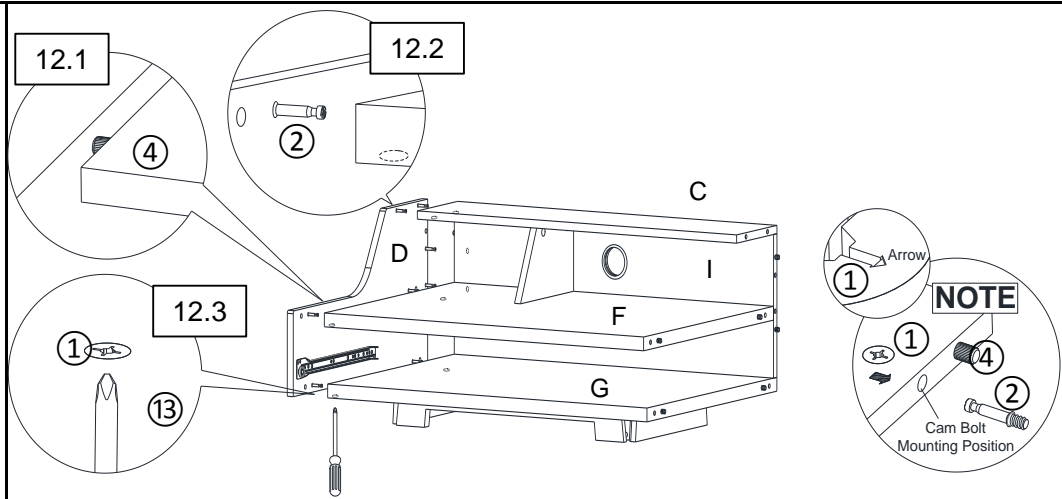
Step 11



Attach Center Panel(H) to Top Panel(F) with Cap Wood Screws(⑤) using Allen Key(⑫).

Tighten the Cap Wood Screws fully in a sequential manner.

Step 12



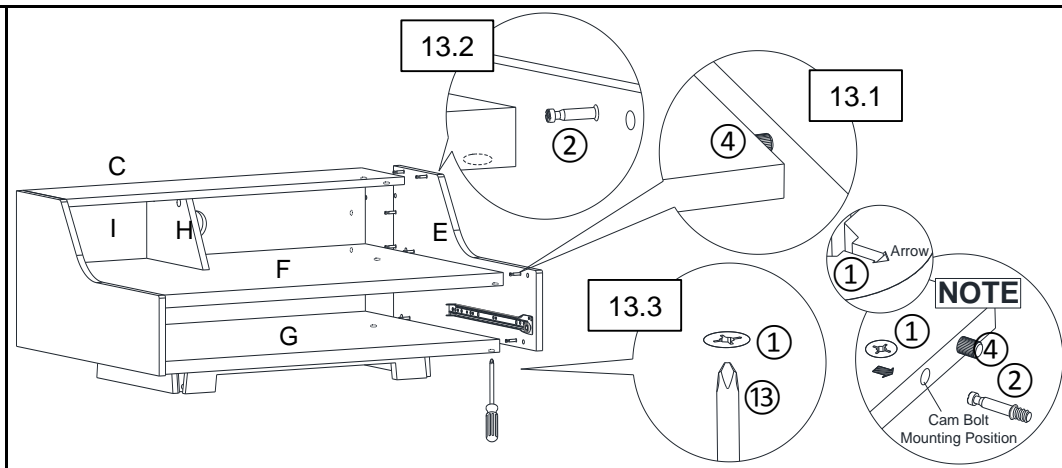
12.1) Insert Positioning Dowels(④) from Top Panel(F), Bottom Panel(G) and Back Panel(I) into mounting positions on Left Side Panel(D).

Note: Ensure the arrows on Cam Locks head points towards the Cam Bolt mounting positions.

12.2) Insert the Cam Bolts(②) on Left Side Panel(D) into mounting positions on Top Tray Panel(C), Top Panel(F), Bottom Panel(G) and Back Panel(I).

12.3) Turn the Cam Locks(①) clockwise with the Screwdriver(⑬) until they all lock into place.

Step 13



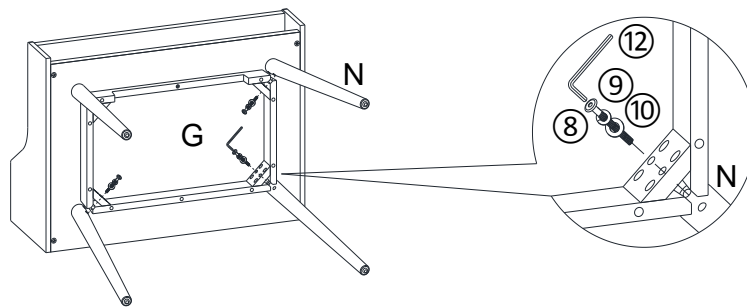
13.1) Insert Positioning Dowels(④) from Top Panel(F), Bottom Panel(G) and Back Panel(I) into mounting positions on Right Side Panel(E).

Note: Ensure the arrows on Cam Locks head points towards the Cam Bolt mounting positions.

13.2) Insert the Cam Bolts(②) on Right Side Panel(E) into mounting positions on Top Tray Panel(C), Top Panel(F), Bottom Panel(G) and Back Panel(I).

13.3) Turn the Cam Locks(①) clockwise with the Screwdriver(⑬) until they all lock into place.

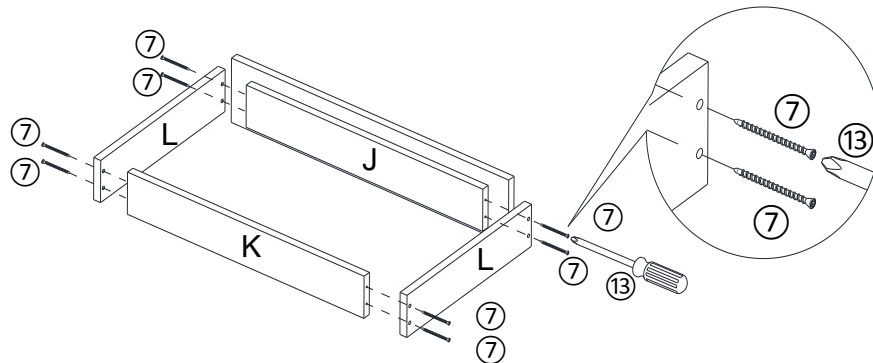
Step 14



Attach Legs(N) to apron on Bottom Panel(G) using Screws(⑧), Spring Washers(⑨) and Washers(⑩) with Allen Key(⑫).

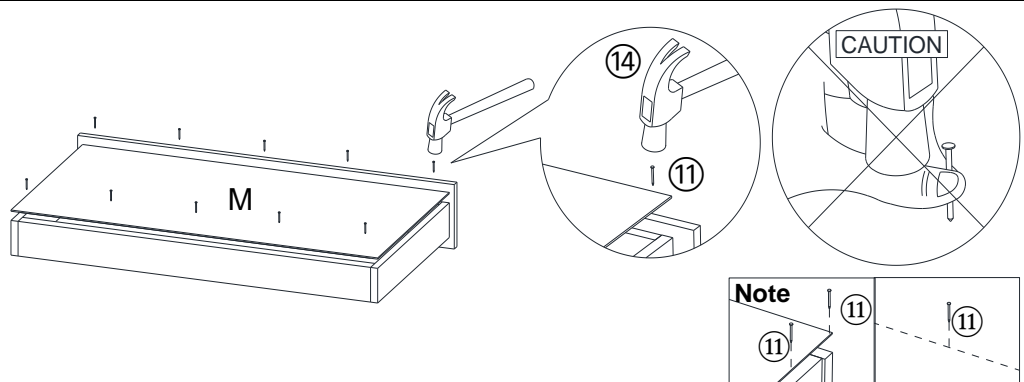
Tighten the Screws fully in a sequential manner.

Step 15



Attach Drawer Side Panels(L) to Drawer Front Panel(J) and Drawer Back Panel(K) using Screws(7) with Screwdriver(13).
Tighten the Screws fully in a sequential manner.

Step 16

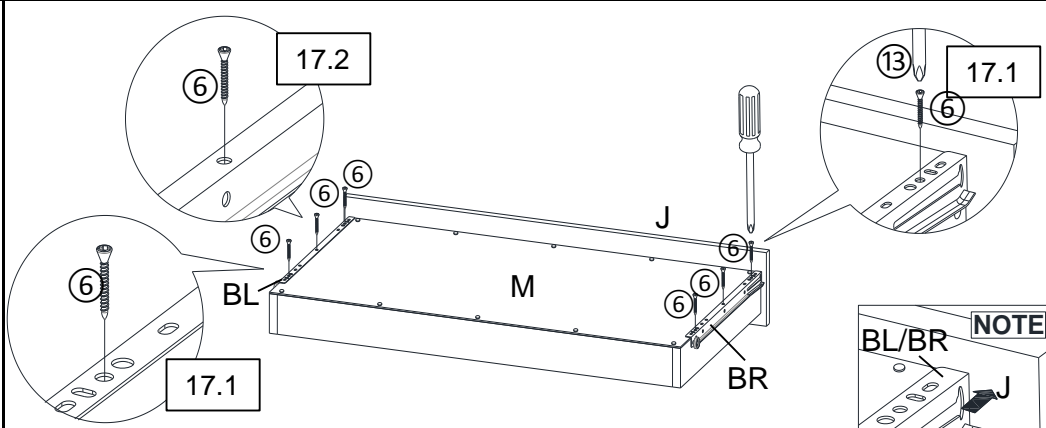


Attach Drawer Bottom Panel(M) to Drawer Assembly using Nails(11) with Hammer(14).

Caution: Please be extra careful when using a Hammer to avoid injury.

Note: Hit Nails along two edges (slightly inwards from sides) on the lines drawn on the Drawer Bottom Panel.

Step 17

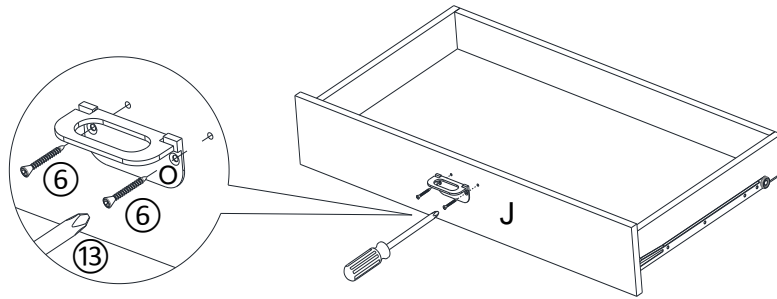


17.1) Attach Drawer Left Bottom Rail(BL) and Drawer Right Bottom Rail(BR) to Drawer Bottom Panel(M) using Screws(6) with Screwdriver(13) where indicated.

17.2) Attach Drawer Left Bottom Rail(BL) and Drawer Right Bottom Rail(BR) to Drawer Bottom Panel(M) using Screw(6) with Screwdriver(13) where indicated.

Tighten the Screws fully in a sequential manner.

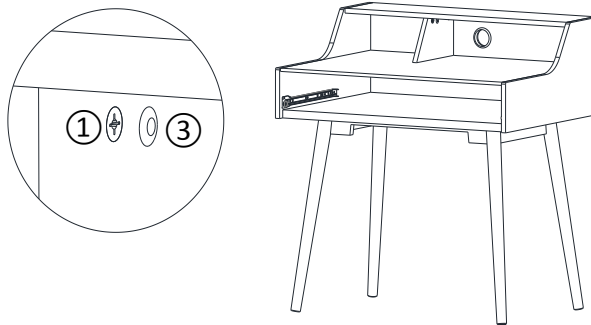
Step 18



Attach Steel Handle(O) to Drawer Front Panel(J) using Screws(6) with Screwdriver(13).

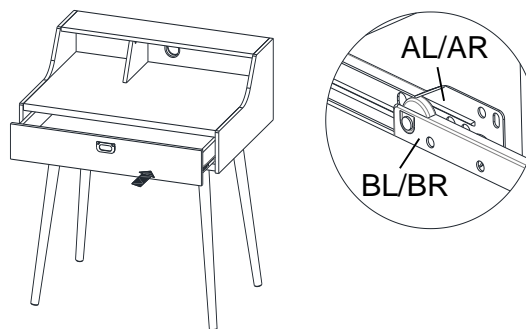
Tighten the Screws fully in a sequential manner.

Step 19



Attach Cam Caps(3) to all Cam Locks(1) by hand.

Step 20



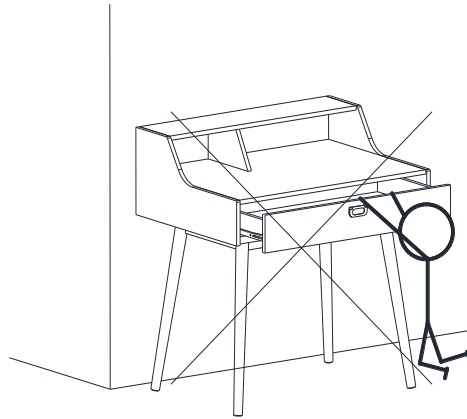
Put Drawer Assembly in place by aligning the rails.

Cabinet Restraint Device Installation Instructions

WARNING

Serious or fatal crushing injuries can occur from tipping furniture.
To help prevent tip-over: ALWAYS secure this furniture to the wall using Cabinet Restraint Device.

See product instructions for more ways to help prevent furniture tip-over.

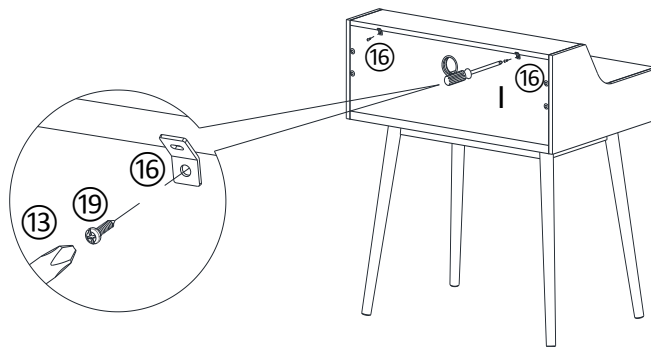


Usage For Cabinet Restraint Device:

To Secure Office Desk against wall, attach Metal Brackets(16) to wall and product, and use Cabinet Restraint Straps(20) to connect the Metal Brackets(16).

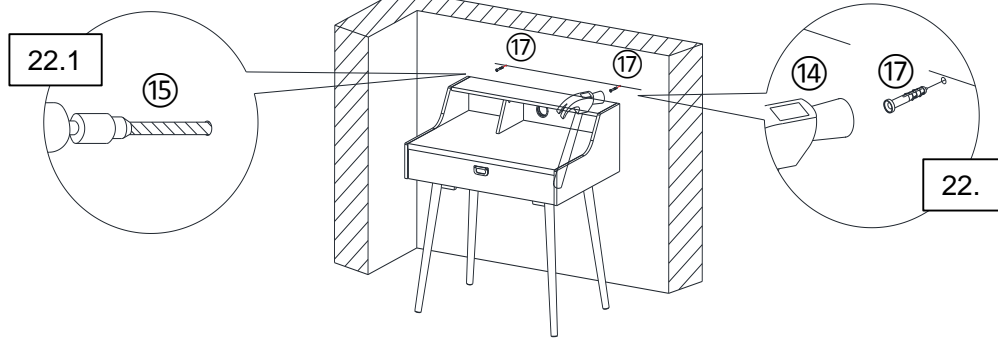
Instructions:

Step 21



Turn the Office Desk so the back faces you.
Attach Metal Brackets(16) to Back Panel(I) using Pan Head Screws(19) with Screwdriver(13).

Step 22



22.1) Drill two holes on wall at same height as Metal Brackets(16) with Power Drill(15).

You can mark these points in two ways as below:

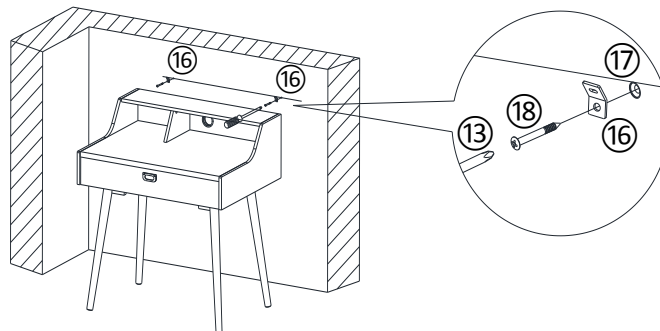
1) Move the Office Desk back to the wall. Mark two points same height as Office Desk on the wall.

Note: The Metal Brackets need to be secured to solid, load bearing surface. Please use a Stud Finder(not supplied) if needed to locate the Wall Frame.

2) Measure the height of the Metal Brackets(16) and the wall by ruler/measuring tape to keep them accurate and same height.

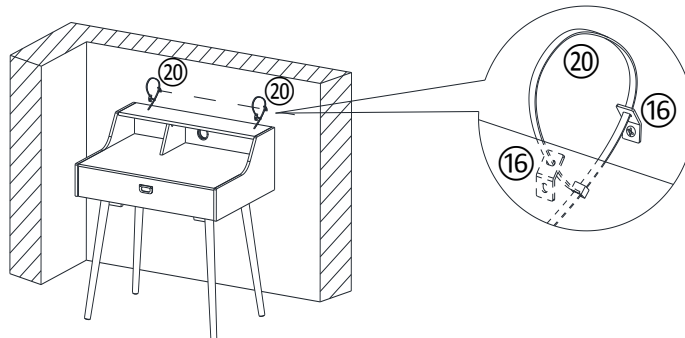
22.2) Attach Wall Plugs(17) to holes on wall with Hammer(14).

Step 23



Attach Metal Brackets(16) to Wall Plugs(17) using Wall Plug Screws(18) with Screwdriver(13).

Step 24



Move the Office Desk back against wall. Pull the Restraint Straps(20) through the Metal Brackets(16) on the wall and Bookcase one by one, and pull the Restraint Straps(20) tight.


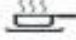
















Step 25



Your Office Desk is ready for use.

This Office Desk can only be used on a flat, level surface.

Care & Maintenance

-   ● Do not put hot items directly on furniture surface
 -   ● Do not clean furniture with harsh cleansers or polish.
 -   ● To obtain the longest lifespan of your outdoor products, minimizing exposure to direct sunlight is recommended.
 -   ● Children should not climb or jump on the furniture.
 -   ● Do not write on furniture without a padded barrier to protect the surface.
 -   ● To obtain the longest lifespan of your outdoor products, avoid extended and lengthy exposure to rain, snow, and direct sunshine. Whenever possible cover the product and /or place under patio or awnings.
 -   ● Not for commercial use. For residential use only .
 -   ● Stains may be removed with mild soap solution and damp cloth.
-
-   ● Dust and pick-up spills using a clean, non-colored, lint-free cloth .

Questions & Answers about Proposition 65

• What is Proposition 65?

Proposition 65 requires businesses to provide warnings to Californians about significant exposures to chemicals that cause cancer, birth defects or other reproductive harm. These chemicals can be in the products that Californians purchase, in their homes or workplaces, or that are released into the environment. By requiring that this information be provided, Proposition 65 enables Californians to make informed decisions about their exposures to these chemicals.

Proposition 65 also prohibits California businesses from knowingly discharging significant amounts of listed chemicals into sources of drinking water.

Proposition 65 requires California to publish a list of chemicals known to cause cancer, birth defects or other reproductive harm. This list, which must be updated at least once a year, has grown to include approximately 900 chemicals since it was first published in 1987.

• What types of chemicals are on the Proposition 65 list?

The list contains a wide range of naturally occurring and synthetic chemicals that include additives or ingredients in pesticides, common household products, food, drugs, dyes, or solvents. Listed chemicals may also be used in manufacturing and construction, or they may be byproducts of chemical processes, such as motor vehicle exhaust.

• What does a warning mean?

If a warning is placed on a product label or posted or distributed at a workplace, a business, or in rental housing, the business issuing the warning is aware or believes that it is exposing individuals to one or more listed chemicals.

By law, a warning must be given for listed chemicals unless the exposure is low enough to pose no significant risk of cancer or is significantly below levels observed to cause birth defects or other reproductive harm.

• Where can I get more information on Proposition 65?

If you have specific questions on the administration or implementation of Proposition 65, you can contact OEHHA's Proposition 65 program at P65.Questions@oehha.ca.gov, or by phone at (916) 445-6900.