



10 : 00

estimated
assembly time



2 or more

people required

Ok, let's
get started!



- Put on mood music!
- To prevent damage to product, use the clean side of package carton or rug as working surface for assembly.
- In the event of missing or damaged parts, delivery problems etc., please reach out to our team. We will be happy to fix the problem!

care guide

- Clean regularly with a soft and dry cloth.
- To protect finish, avoid use of abrasive cleaners.
- Wipe up spills immediately. Please!



product parts



A
Nightstand
x1



B
Legs
x4

GS

Green Sticker

OS

Orange Sticker

WS

White Sticker

YS

Yellow Sticker

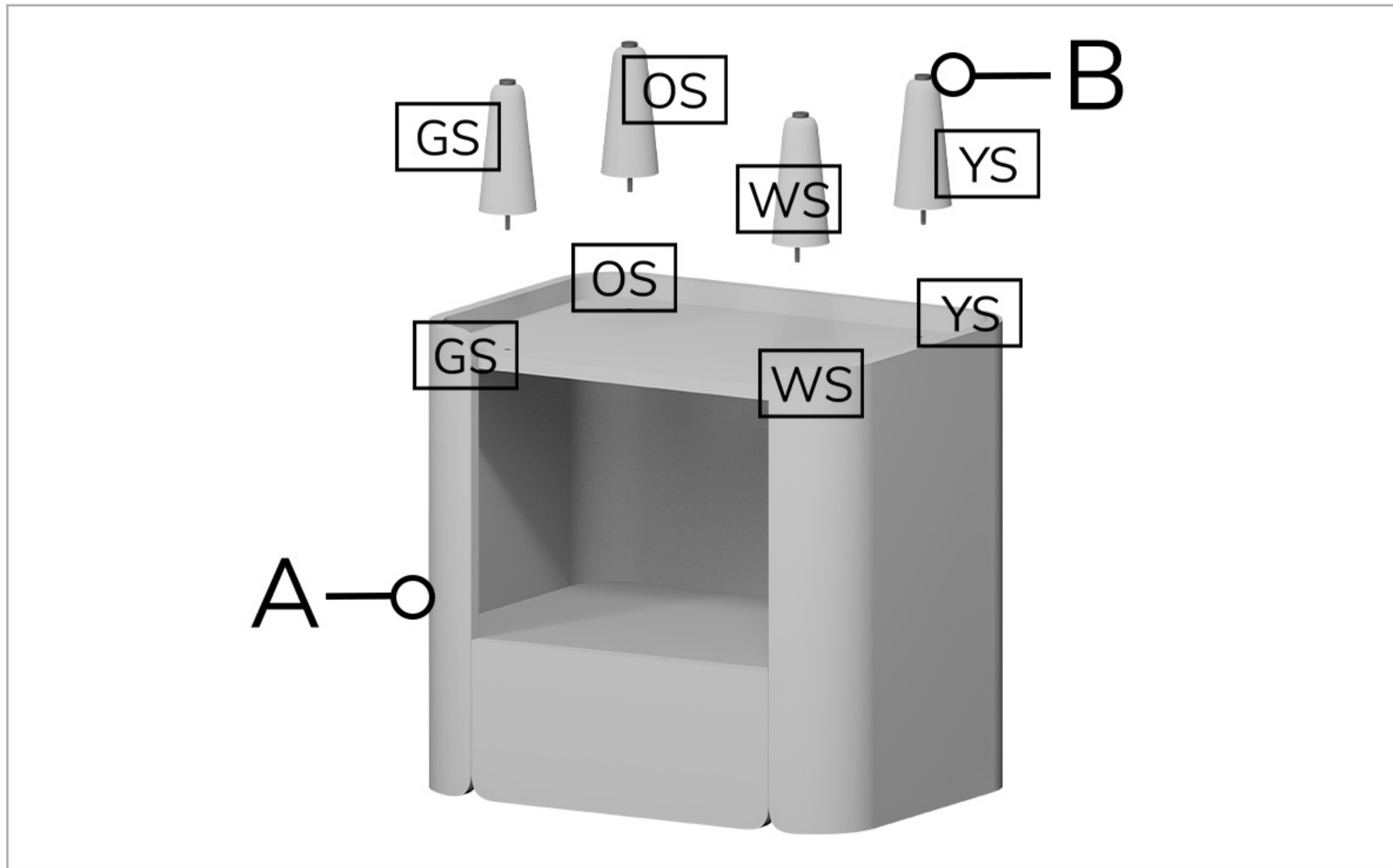
assembly instructions

Friendly Tip: Take a deep breath going in. This may be a tricky part, but nothing too overwhelming. Just follow these steps to the T and the outcome will be worth it!



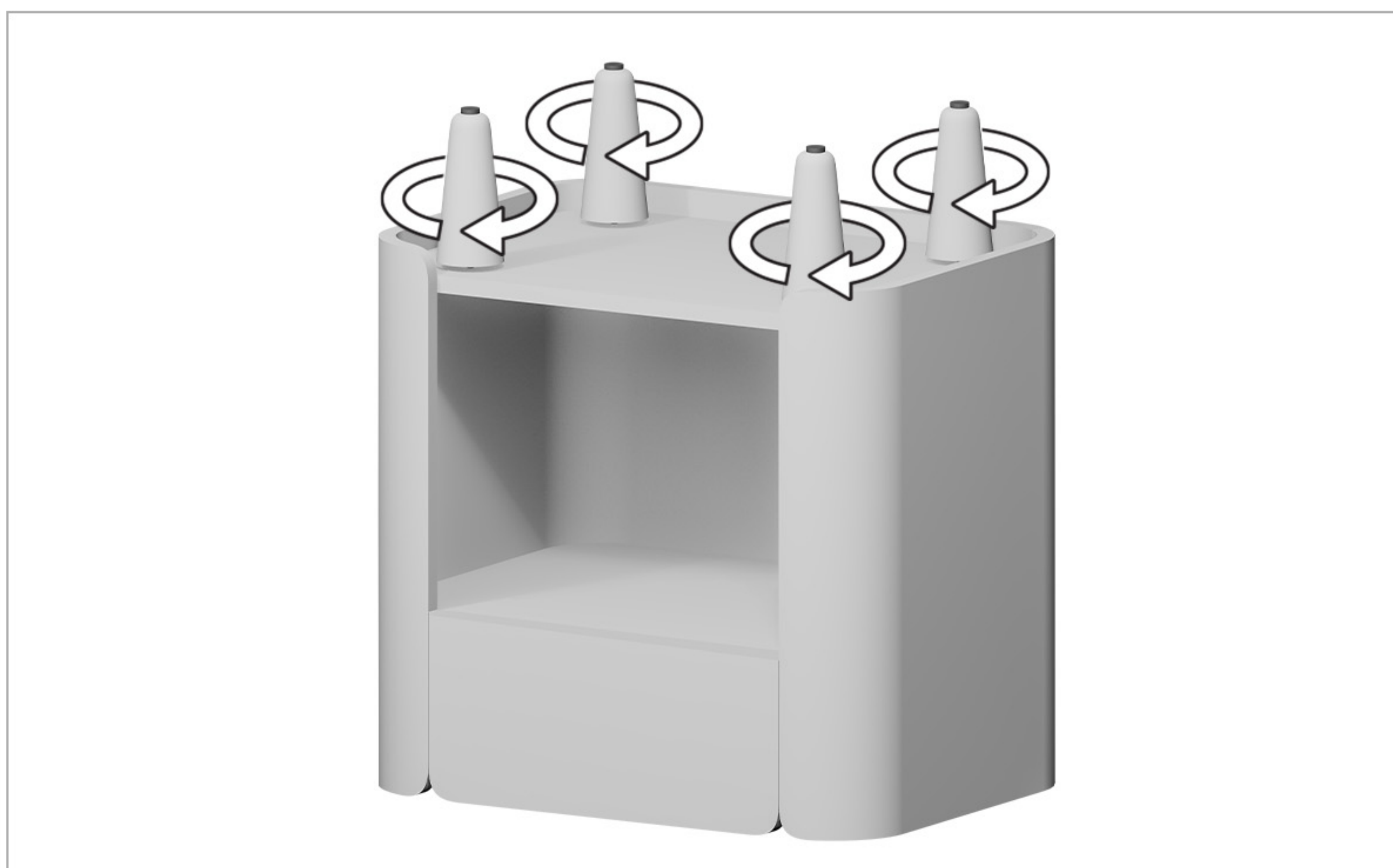
step 1:

Start by placing Nighstand (A) on a clean surface with its underside facing up to begin assembly. Make sure the stickers on the legs match the ones on the nightstand.



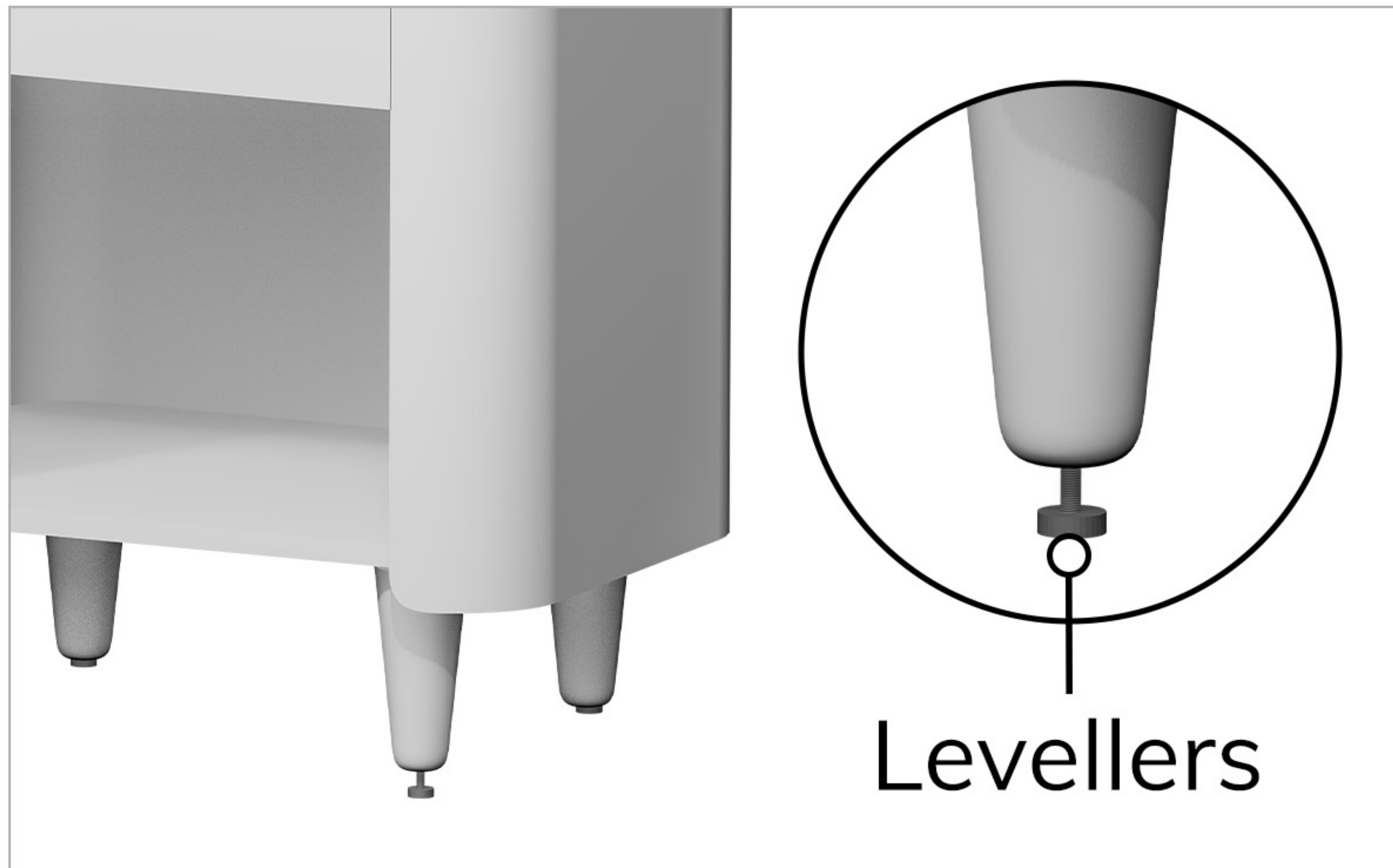
step 2:

Now, align the legs by matching the stickers on the nightstand and the legs and tighten them by rotating clockwise.



step 3:

Turn it into an upright position and if required adjust the levellers according to the floor as shown in image.



Voila! Your nightstand is now assembled and secure!

you've
got
a home
with us

