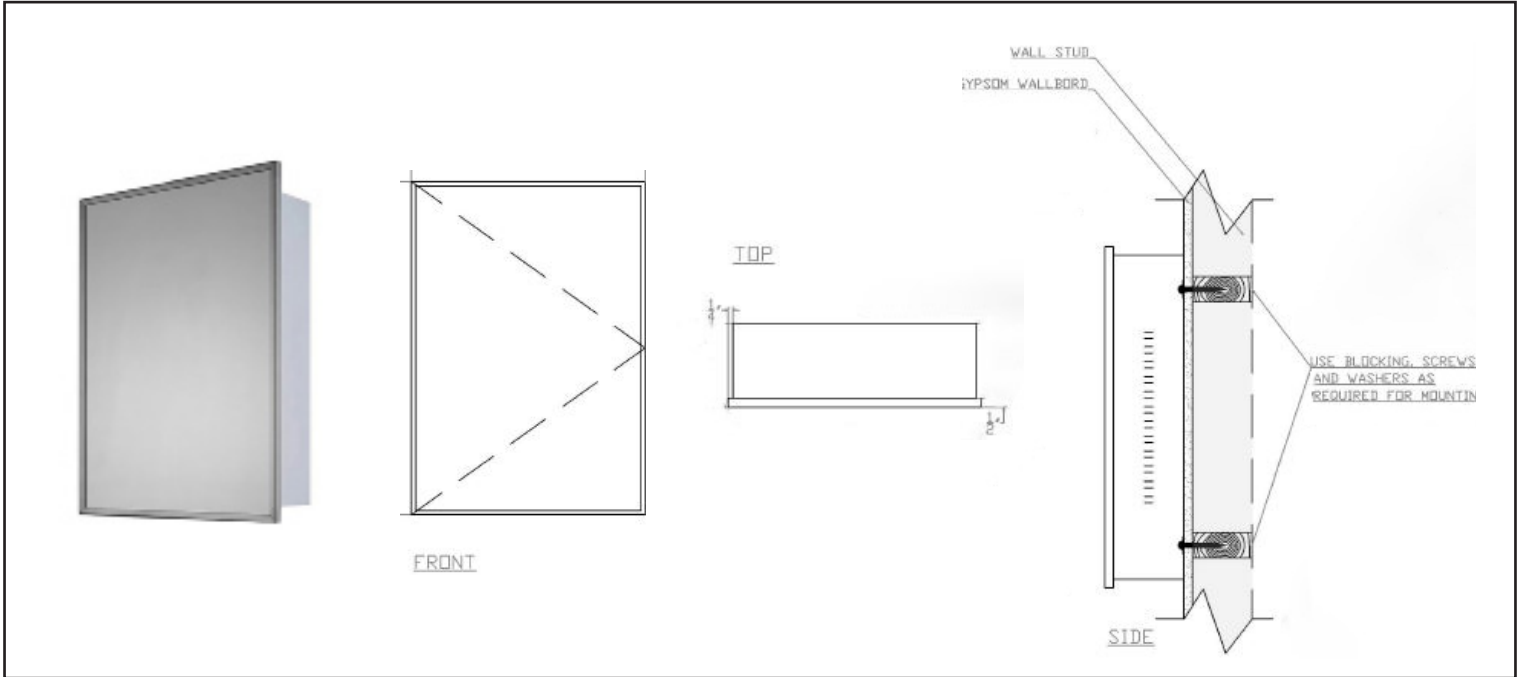


Single Door Medicine Cabinet

REVISED:
14
NOV
2024



Surface Mounted Data

Overall Size W x H x D	Box Size W x H x D	Shelf Size W x D	Glass Shelves
14" x 20" x 4 1/4"	13 1/8" x 19" x 4"	12 3/4" x 3 1/2"	2
12" x 36" x 4 1/4"	11 1/8" x 35" x 4"	10 3/4" x 3 1/2"	4
16" x 22" x 4 1/4"	15 1/8" x 21" x 4"	14 7/8" x 3 1/2"	2
16" x 30" x 4 1/4"	15 1/8" x 29" x 4"	14 7/8" x 3 1/2"	3
18" x 24" x 4 1/4"	17 1/8" x 23" x 4"	16 7/8" x 3 1/2"	3
16" x 26" x 4 1/4"	15 1/8" x 25" x 4"	14 7/8" x 3 1/2"	3
20" x 26" x 4 1/4"	19 1/8" x 25" x 4"	18 7/8" x 3 1/2"	3
16" x 36" x 4 1/4"	15 1/8" x 35" x 4"	14 7/8" x 3 1/2"	4
18" x 36" x 4 1/4"	17 1/8" x 35" x 4"	16 7/8" x 3 1/2"	4
18" x 42" x 4 1/4"	17 1/8" x 41" x 4"	16 7/8" x 3 1/2"	4
18" x 60" x 4 1/4"	17 1/8" x 59" x 4"	16 7/8" x 3 1/2"	5
18" x 30" x 4 1/4"	17 1/8" x 29" x 4"	16 7/8" x 3 1/2"	3
20" x 30" x 4 1/4"	19 1/8" x 29" x 4"	18 7/8" x 3 1/2"	3
24" x 24" x 4 1/4"	23 1/8" x 23" x 4"	22 1/4" x 3 1/2"	3
24" x 30" x 4 1/4"	23 1/8" x 29" x 4"	22 7/8" x 3 1/2"	4
24" x 36" x 4 1/4"	23 1/8" x 35" x 4"	22 7/8" x 3 1/2"	4

CHECK REVERSE SIDE FOR ADDITIONAL SPECIFICATIONS

Body	
Body Material	Steel
Finish	White Baked Enamel
Resistance Type	Rust Resistant
Body Gauge	20
Mirror(s) / Door(s)	
Mirror Style	Bright Annealed Stainless Steel Frame/Polished Edge/Beveled Edge
Mirror Type	First Quality Plate Glass Mirror
Mirrored Side Kits?	No
Mirrored Interior?	No
Number of Doors	1
Door Catch	Magnetic Door Catch
Door Swing	Reversible
Door Thickness	SM: 1/2" / PE-SM & BV-SM: 1/4"
Frame Thickness	SM: 1/4" / PE-SM: Frameless / BV-SM: Frameless with a 1/2" Beveled Edge
Hinges	
Hinge Type	Full Length Piano Hinge
Hinge Gauge	24
Degree of Opening	105°
Installation	
Mount Type	Surface Mounted
Tandem Installation?	No
Mounting Hole Info	1/4" diameter mounting holes that are 2" from the top and side of each corner of the medicine cabinet.
Shelves	
Shelf Material	Tempered Glass
Shelf Thickness	1/4"
Shelf Clip Type	Locking Adjustable Aluminum Shelf Clips
Clip Model	CLIP-4
Shelf Guard	1/2" shelf guard on either side of the interior cabinet prevents the shelving from falling out when removing items off the shelves.
Removable Shelves?	Yes
Adjustable Shelves?	Yes