

# ASSEMBLY INSTRUCTIONS

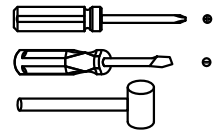
## KITCHEN CART

ASSEMBLY REQUIREMENTS: 2-Person Assembly

2 Hours  
Assembly Time  
(Approximate)

Tools Required:  
(Not Provided)

Phillips Screwdriver  
Flat Screwdriver  
Mallet



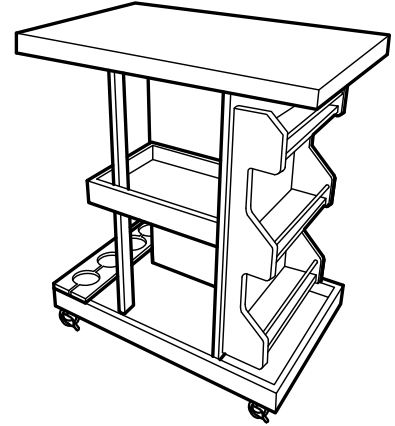
### Thank you for purchasing our product!

Please refer and use this assembly instruction to assemble the product. Contact our customer service department in case there are any missing or damage parts or hardware. Replacement parts are normally shipped within 2 or 3 days.

Email: [replacementparts@buylateral.com](mailto:replacementparts@buylateral.com)  
Within 30 days from delivery date

**PRODUCTS PURCHASED THROUGH OUR AUTHORIZED VENDORS ONLY ARE ELIGIBLE FOR REPLACEMENT PARTS.**

We appreciate your business!



**THIS PRODUCT IS FOR INDOOR AND HOUSEHOLD USE ONLY - NOT FOR COMMERCIAL USE.**

#### ASSEMBLY PREPARATION

1. Remove all packaging materials, staples and packing straps from the carton.
2. Refer to Parts List and Hardware List and ensure they are complete before you start assembling.
3. Place all wooden parts on a clean, flat and soft surface (e.g. carpet or rug) to prevent parts from getting scratched.

#### SAFETY PRECAUTION:

1. KEEP ALL HARDWARE PARTS OUT OF REACH OF CHILDREN.
2. DISPOSE PLASTIC PACKAGING MATERIAL IMMEDIATELY TO AVOID ANY RISK OF SUFFOCATION TO CHILDREN AND ANIMALS.

#### TIPS FOR ASSEMBLY:

1. Allow ample room for assembly and in close proximity to where product will be placed.
2. Assemble the product on a surface that does not scratch or damage the exterior gloss and finish of the furniture.
3. Please check all of the parts and quantities are included before assembly. Contact customer service for missing parts.
4. Identify all of the parts, hardware and quantities required for each step.
5. During assembly, do not over-tighten any fittings as this may cause damage.
6. DO NOT USE POWER TOOLS TO ASSEMBLE THIS PRODUCT.
7. Always place the product on a flat surface.
8. Do not sit or stand on the partially assembled product; only use the product for which it is intended.

#### CARE AND MAINTENANCE

- Use a slightly damp cloth to clean the product. Do not use bleach or abrasive cleaning material.
- Check all the fittings periodically and re-tighten as necessary. Do not use the product if any of the parts damaged or broken.
- Never allow any kind of liquid to remain on your furniture. Absorption can cause wood to warp or delaminate.
- Do not place hot items (e.g. hot drinks) directly onto the wood surface.
- Do not drag and/or pull the furniture.

# ASSEMBLY INSTRUCTIONS

## HAMPTON KITCHEN CART ITEM# 23790

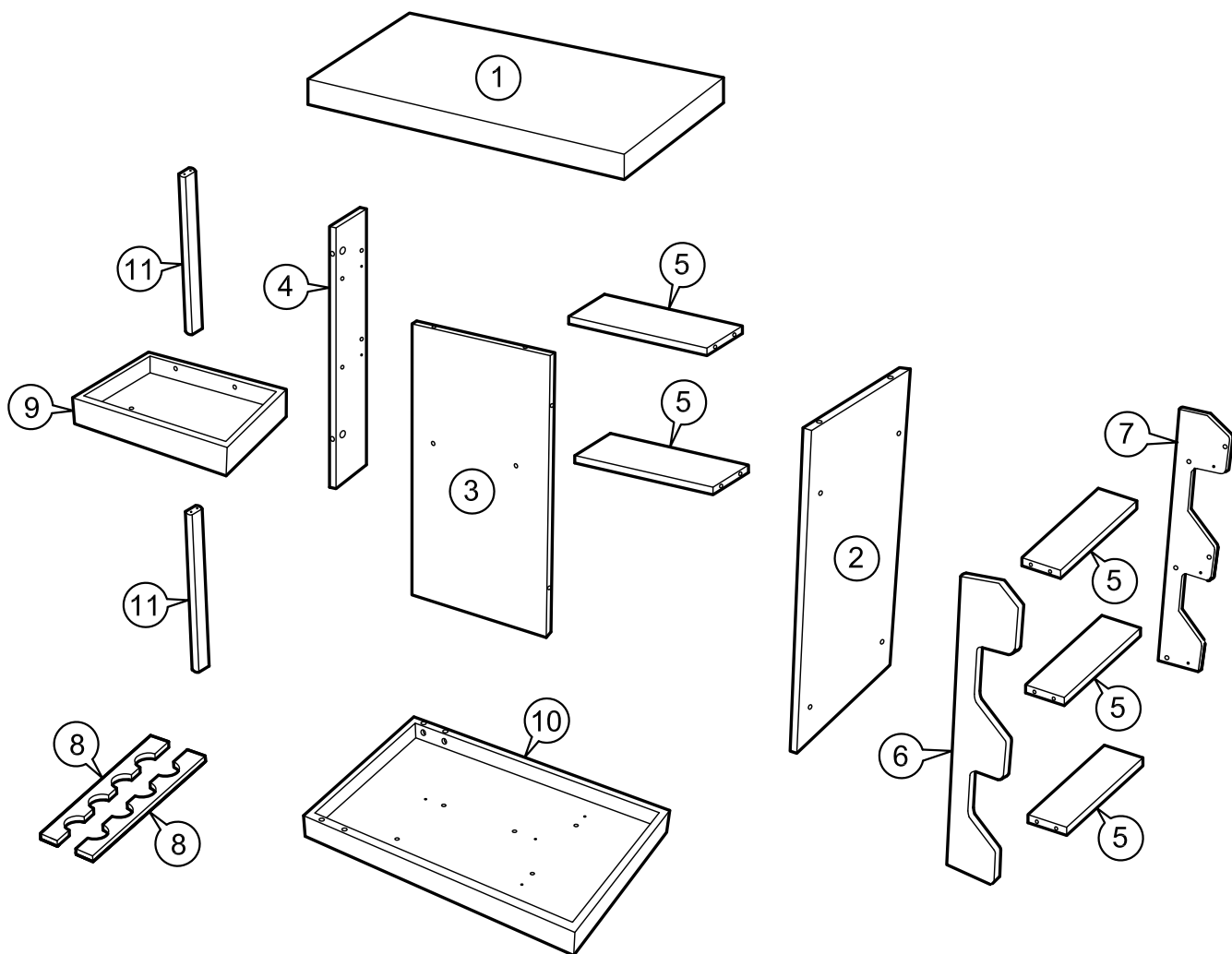
### PARTS LIST

Part#	Description	Qty
1	Top Panel	1pc
2	Vertical Panel	1pc
3	Vertical Panel	1pc
4	Vertical Panel	1pc

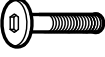






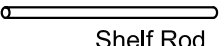


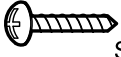
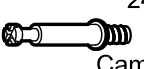

Part#	Description	Qty
5	Shelf	5pcs
6	Shelf Panel	1pc
7	Shelf Panel	1pc
8	Holder	2pcs

Part#	Description	Qty
9	Shelf Tray	1pc
10	Base	1pc
11	Vertical Support	2pcs

### PARTS ASSEMBLY OVERVIEW



### Hardware List

DESCRIPTION	QTY	EXTRA	DESCRIPTION	QTY	EXTRA	DESCRIPTION	QTY	EXTRA	DESCRIPTION	QTY	EXTRA
 M6 x25mm Bolt	8	2	 M4 x 28mm Screw	2	2	 Caster with Lock 50mm	2	-	 M8 x30mm Dowel	18	-
 Allen Key	1	-	 M3.5 x12mm(Black) Screw	8	2	 Caster without Lock 50mm	2	-	 9Ø X 400mm Shelf Rod	5	-
 12mm Cam-lock	22	-	 M3.5 x16mm Screw	16	2				 #8x 1 1/4" Screw	4	2
 24mm Cam-bolt	22	-	 Support Plate	2	-						

\* Extra hardware for spare use

# Instructions For Fastening CAM-BOLT and CAM-LOCK



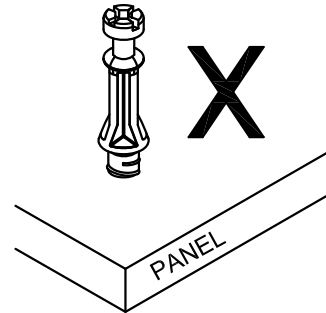
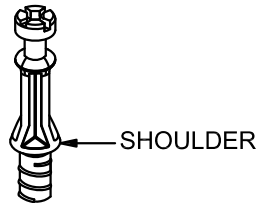
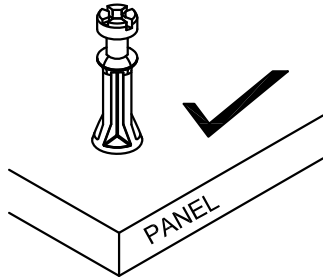
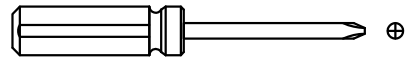
CAM-BOLT



CAM-LOCK

## INSERTING AND TIGHTENING CAM-BOLT

Insert Cam-bolt into the pre-drilled hole. Use a Phillips Screwdriver to tighten until shoulder is snug and flushed with the panel. See illustrations below.

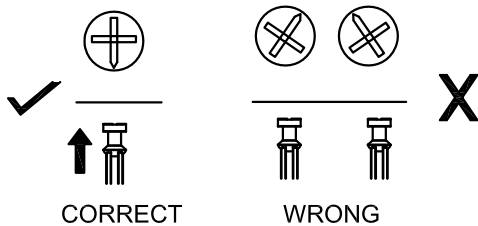


Shoulder is flushed (on the same level) with the panel.

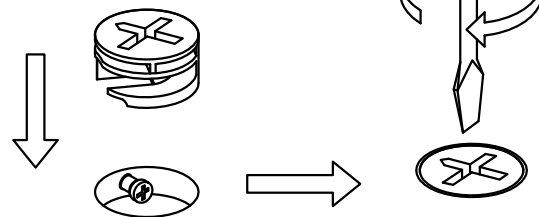
Shoulder is above the panel.

## INSERTING CAM-LOCK

Align the arrow on the Cam-lock to the Cam-bolt head and insert the Cam-lock.



## TIGHTENING CAM-LOCK

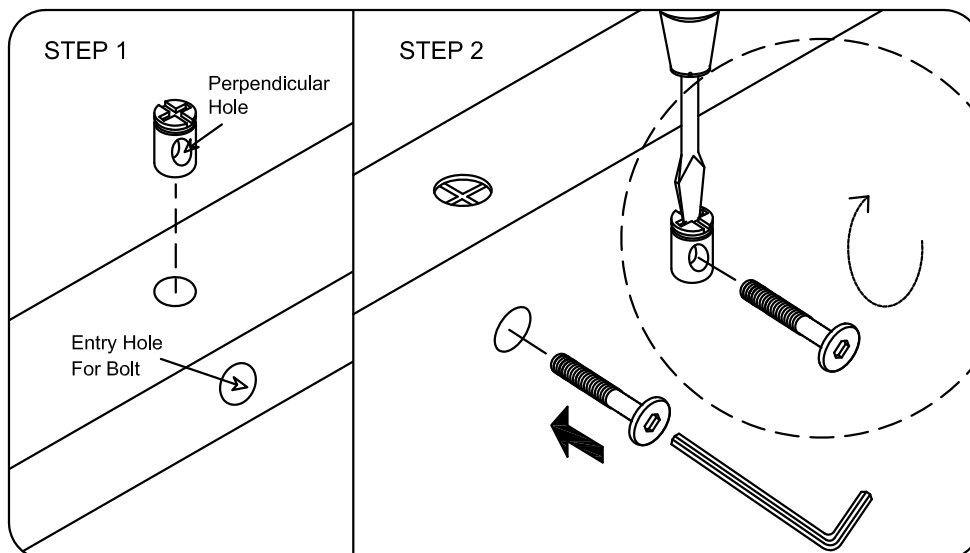


Cam-bolt head needs to be in center

Use a Flat-head Screwdriver to turn the Cam-lock clockwise to lock onto the head of the Cam-bolt. Turn until it is snug -- over-tightening could damage Cam-lock or/and Cam-bolt

# Instructions For Installing Barrel Nut

Insert Barrel Nut with the perpendicular hole facing and in-line with the drill hole that the bolt is to be inserted.

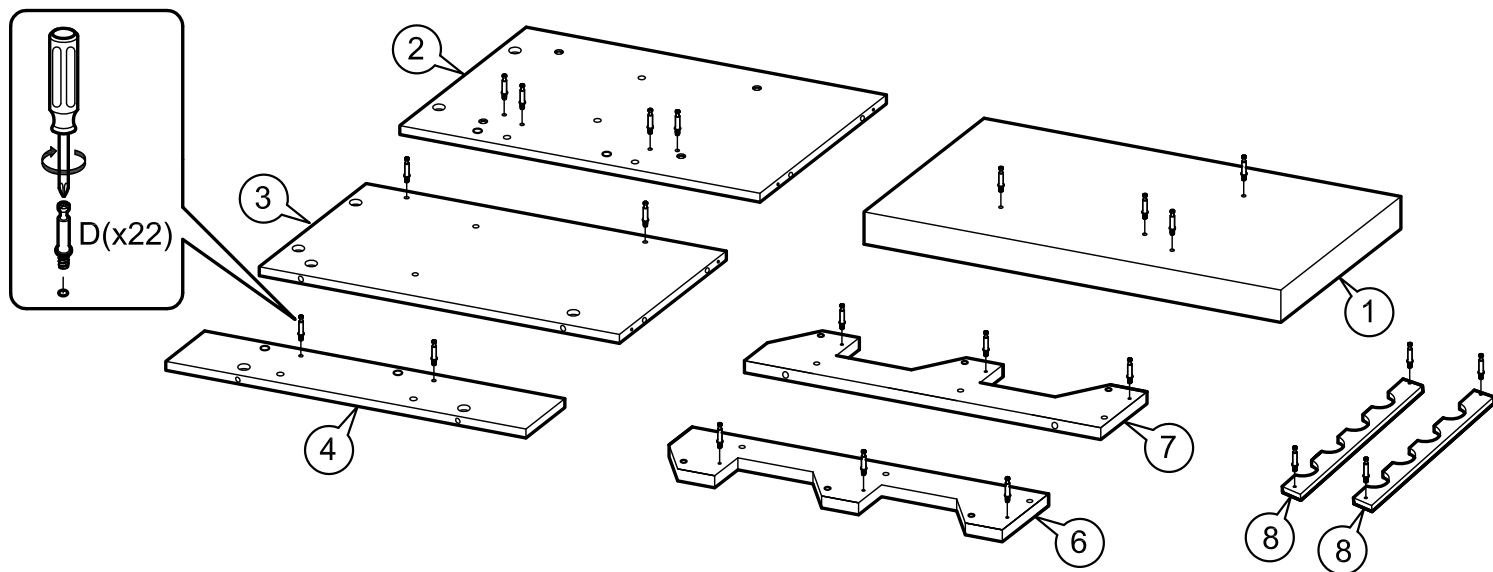


Use a Flat-head Screwdriver to hold Barrel Nut in position before inserting bolt to thread into the Barrel Nut.

# ASSEMBLY INSTRUCTIONS

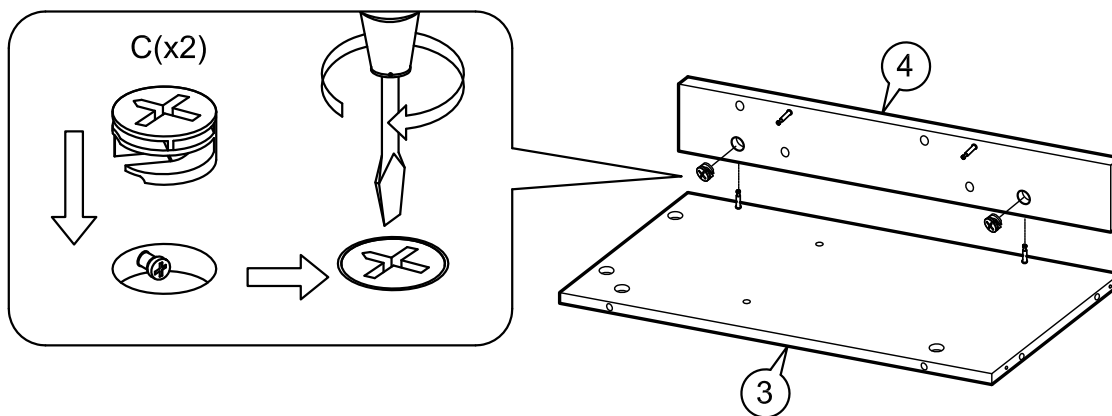
## KITCHEN CART

1



Place the individual parts shown above on a material that does not scratch or damage the parts. Identify the holes for Cam-bolts (D). Use a Phillips Screwdriver to drive and tighten Cam-bolt (D). Refer to instructions on fastening Cam-bolts and Cam-locks.

2

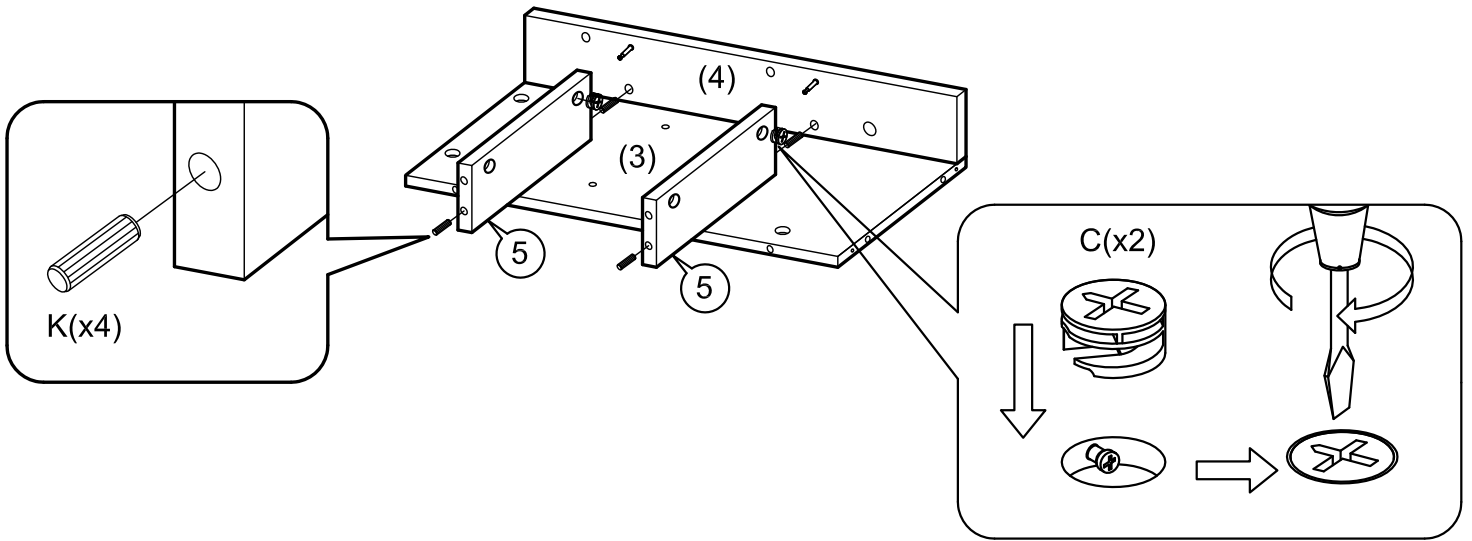


Attach Vertical Panel (4) to Vertical Panel (3) via Cam-bolts on (3) as shown. Insert Cam-lock (C) and turn clockwise to lock onto Cam-bolt. Refer to instructions on fastening Cam-bolts and Cam-locks.

# ASSEMBLY INSTRUCTIONS

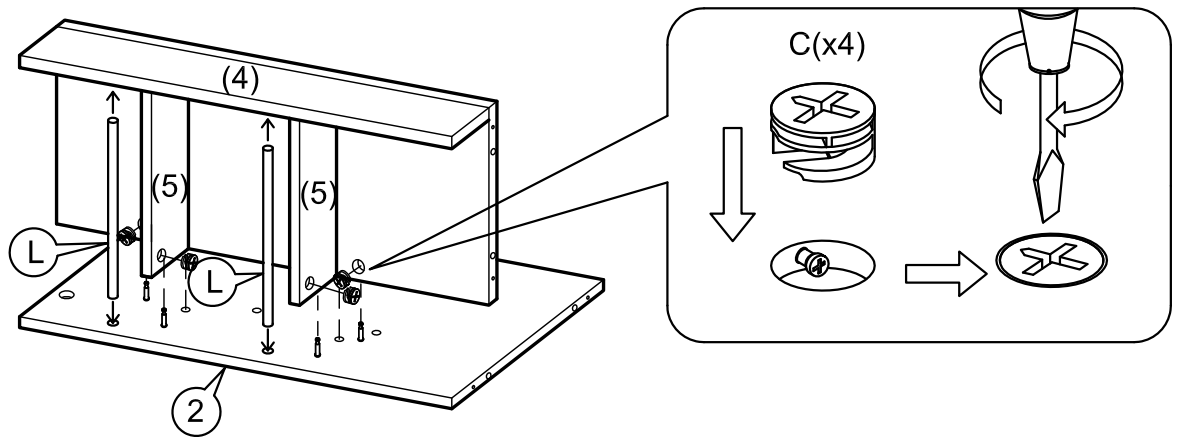
## KITCHEN CART

3



Insert Wood Dowel (K) into the designated holes on shelf (5).  
 Position and attach Shelf (5) to Shelf Panel (4) via Wood Dowel (K) and via Cam-bolts on (4) as shown.  
 Insert Cam-lock (C) and turn clockwise to lock onto Cam-bolt.  
 Refer to instructions on fastening Cam-bolts and Cam-locks.

4

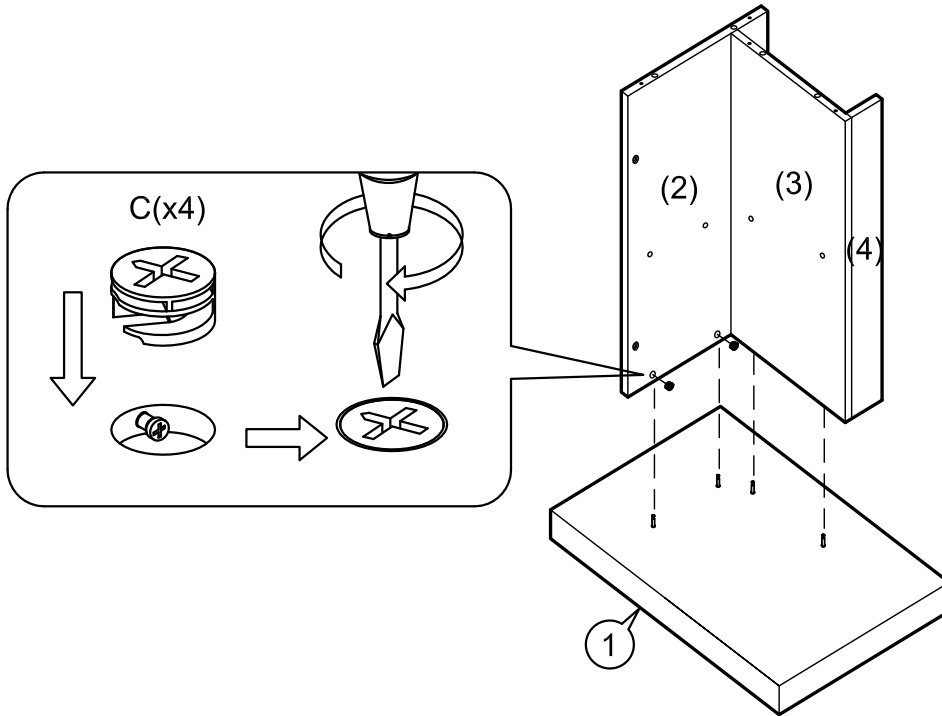


- a) Place Vertical Panel (2) from Step 1 as shown.
- b) Position subassembly from Step 3 with the holes on edge of Shelves (5) to fit into Cam-bolts on (2).
- c) Lift up subassembly from Step 3 slightly to fit Shelf Rod (L) into designated holes on (2) and (4)
- d) Insert Cam-lock (C) and turn clockwise to lock onto Cam-bolt.

# ASSEMBLY INSTRUCTIONS

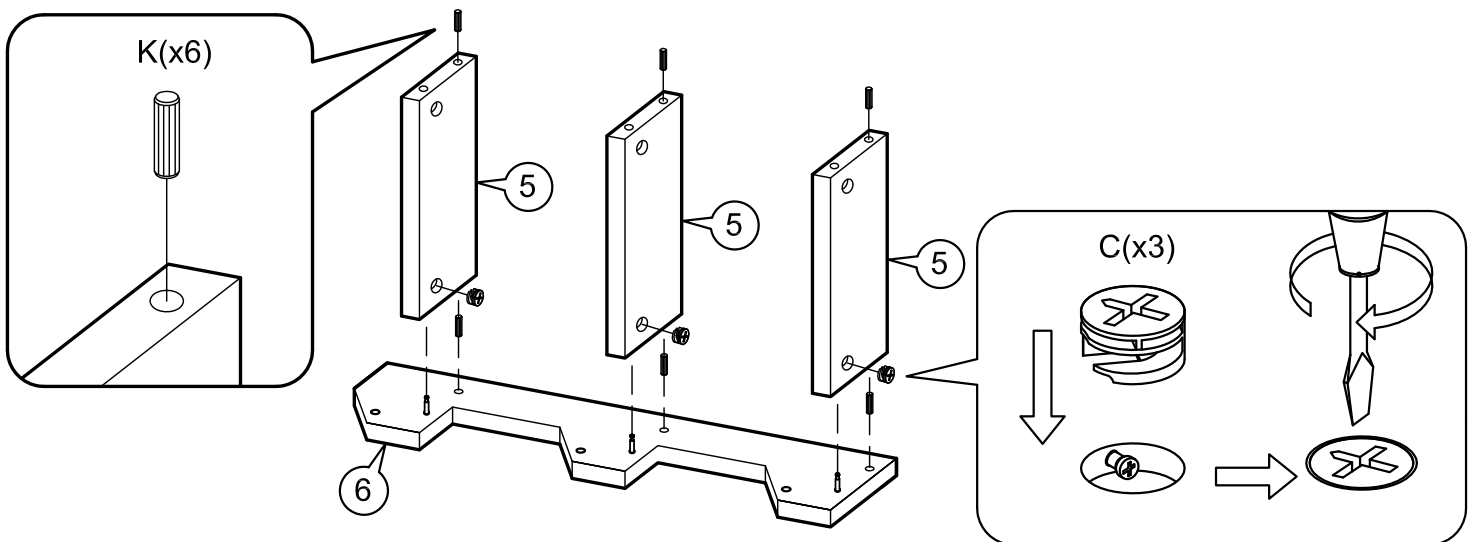
## KITCHEN CART

5



- Place Top Panel (1) from Step 1 bottom-side up as shown.
- Position subassembly from Step 4 as shown to fit the holes on the edge into Cam-bolts on (1).
- Insert Cam-lock (C) and turn clockwise to lock onto Cam-bolt.
- Set subassembly aside.

6

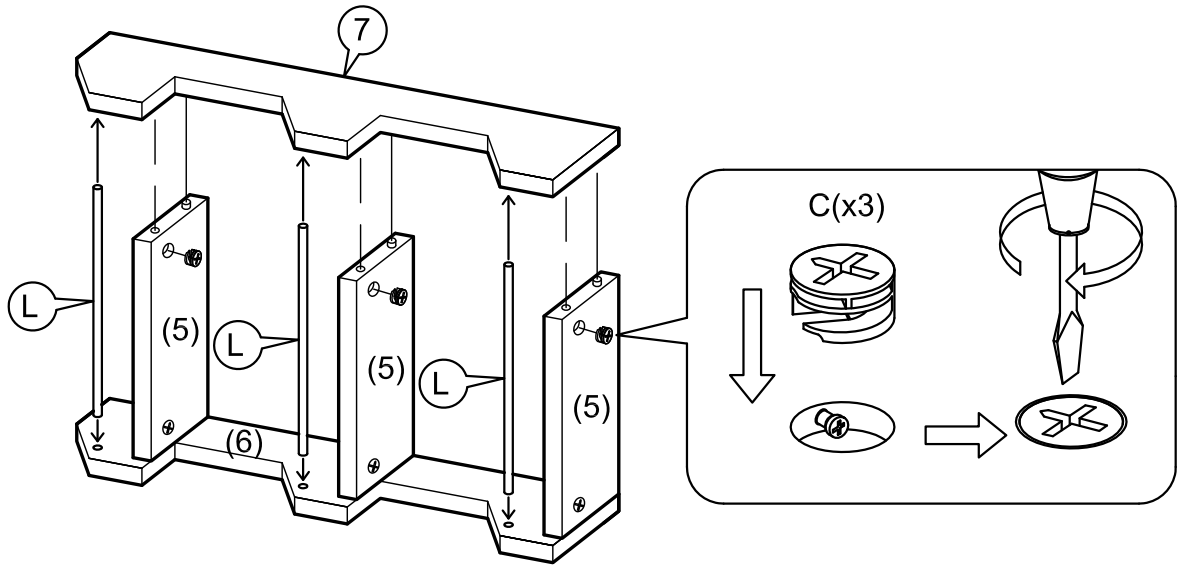


- Insert Wood Dowel (K) into the designated holes on shelf (5).  
Position and attach Shelf (5) to Shelf Panel (6) via Wood Dowel (K) and via Cam-bolts on (6) as shown.  
Insert Cam-lock (C) and turn clockwise to lock onto Cam-bolt.  
Refer to instructions on fastening Cam-bolts and Cam-locks.

# ASSEMBLY INSTRUCTIONS

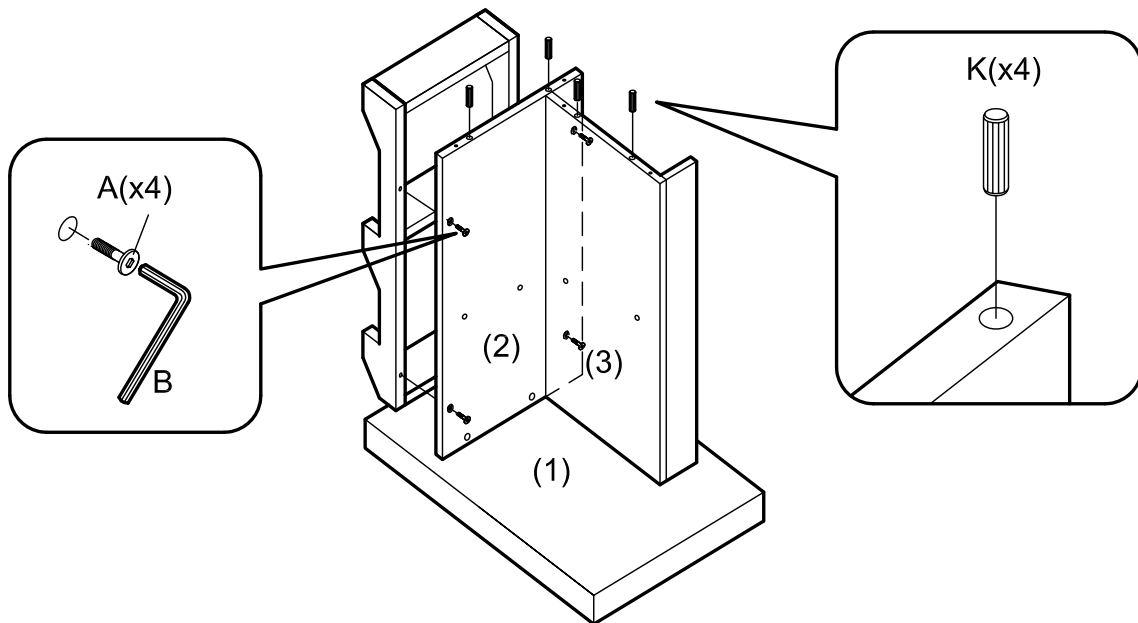
## KITCHEN CART

7



- Attach Shelf Panel (7) from Step 1 to Shelves (5) via dowels and Cam-bolts on (7).
- Lift up (7) slightly to fit Shelf Rod (L) into designated holes on (6) and (7).
- Insert Cam-lock (C) and turn clockwise to lock onto Cam-bolt.

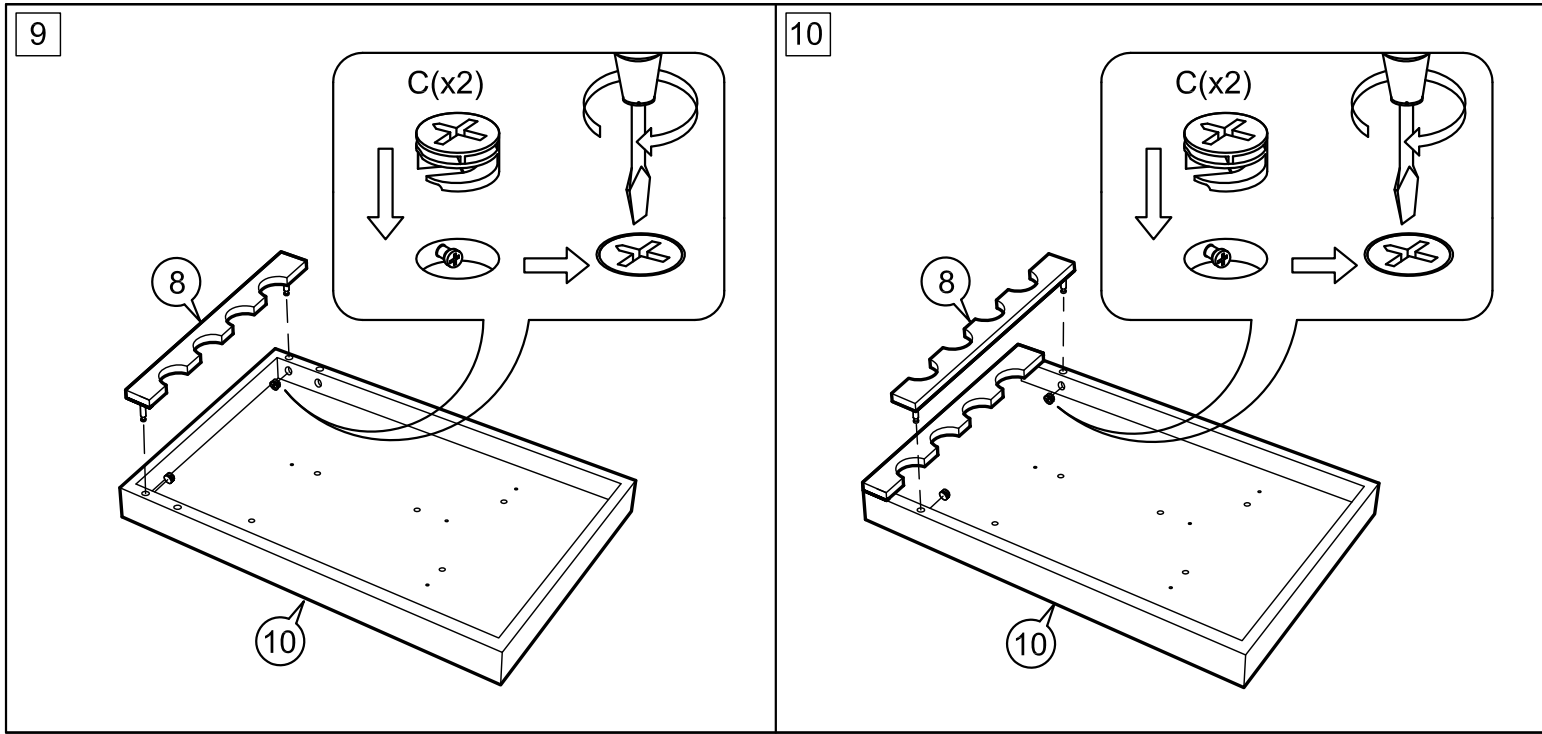
8



- Align shelf unit completed in Step 7 to Vertical Panel (2) from Step 5.
- Use Allen Key (B) to drive Screw (A) to fasten shelf unit to (2). Do not tighten (A) completely until all 4 screws are in place.
- Insert Wood Dowel (K) into the designated holes on Vertical Panels (2 & 3) as shown.
- Set subassembly aside.

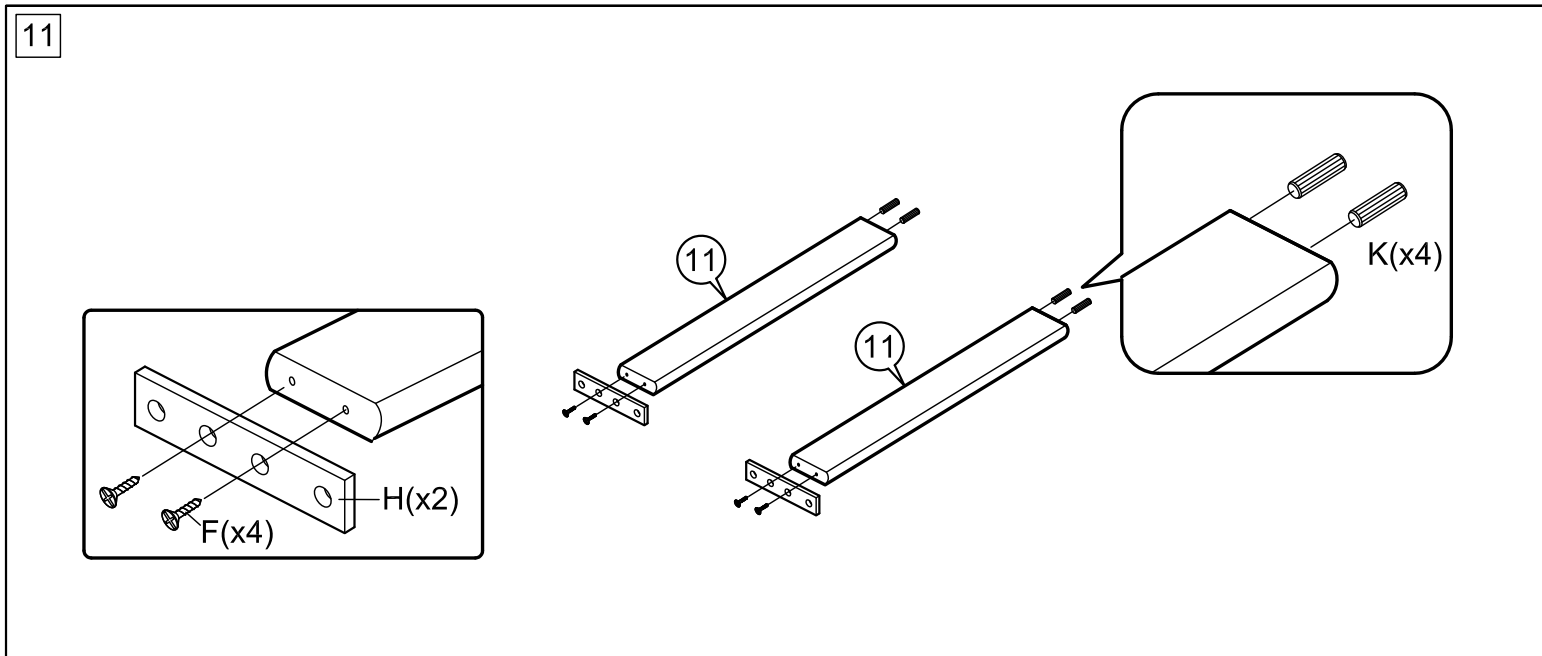
# ASSEMBLY INSTRUCTIONS

## KITCHEN CART



Place Base (10) as shown. Affix 1 piece of Holder (8) from Step 1 to (10) via cam-bolt as shown. Insert Cam-lock and turn clockwise to lock onto cam-bolt.

Affix the remaining piece of Holder (8) to (10) via cam-bolt. Insert Cam-lock and turn clockwise to lock onto cam-bolt.

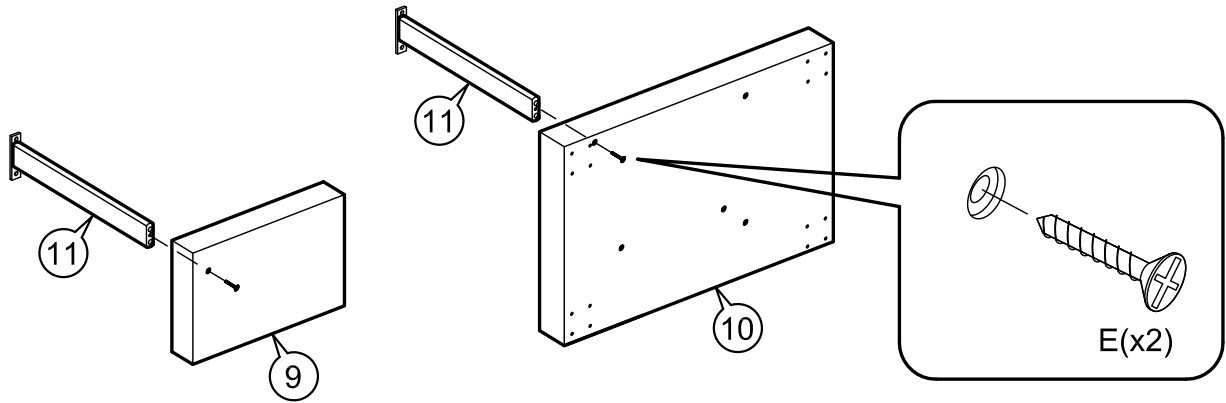


Affix Support Plate (H) to Vertical Support (11) by using Screws (F). Use a Phillip Screw driver to drive (F). Tighten completely when both screws are in place. Insert Wood Dowel (K) into the designated holes on (11).

# ASSEMBLY INSTRUCTIONS

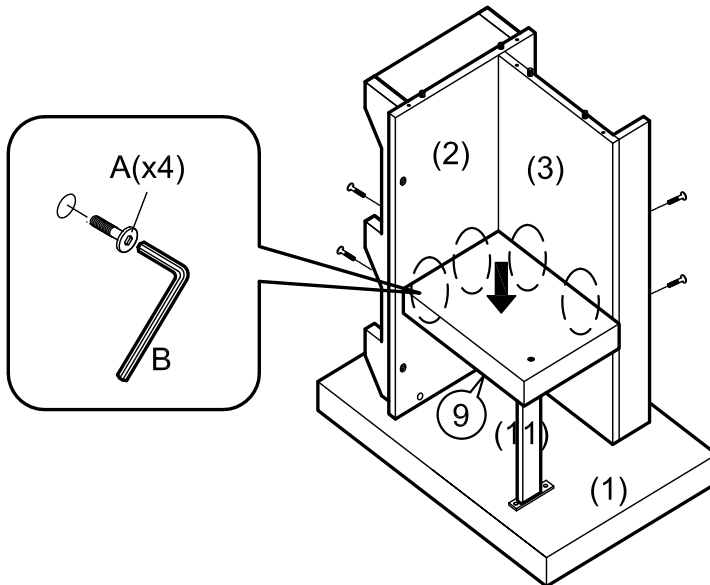
## KITCHEN CART

12



- Attach Vertical Support (11) to Shelf Tray (9) via dowels on (11). Fasten (11) to (9) by using Screws (E).
- Attach Vertical Support (11) to Base (10) via dowels on (11). Fasten (11) to (10) by using Screws (E).

13



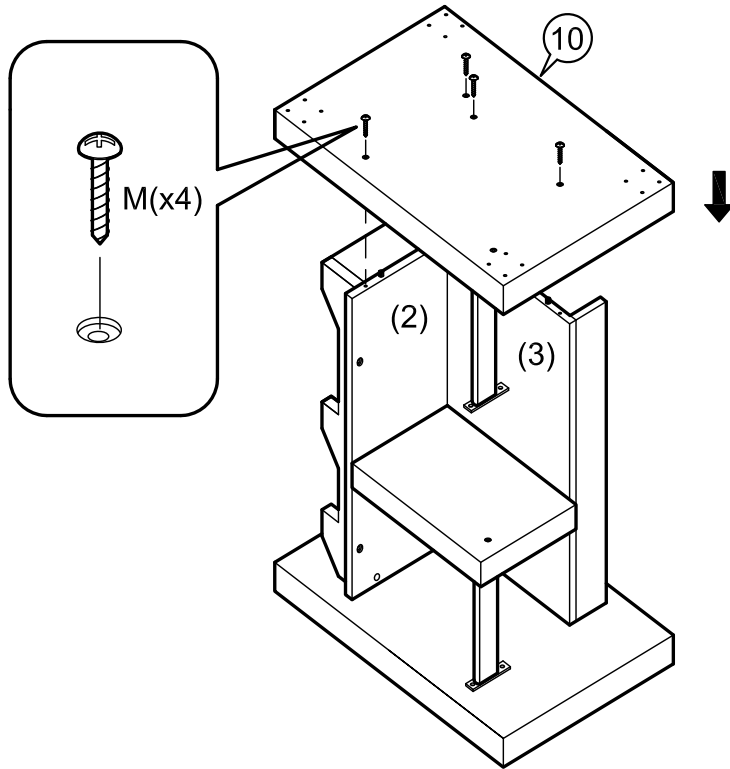
- Position subassembly Shelf Tray (9) bottom side up from step (12) as shown to vertical panels (2 & 3) from step 8.
- Use Screw (A) to fasten (9) to Vertical Panels (2) & (3).  
Do not tighten (A) completely until all 4 screws are in place.

**Note:** For the purpose of showing the placement of parts (9) & (11) the assembly is shown in a vertical position. It is easier to drive Screw (A) with the unit laid on its side.

# ASSEMBLY INSTRUCTIONS

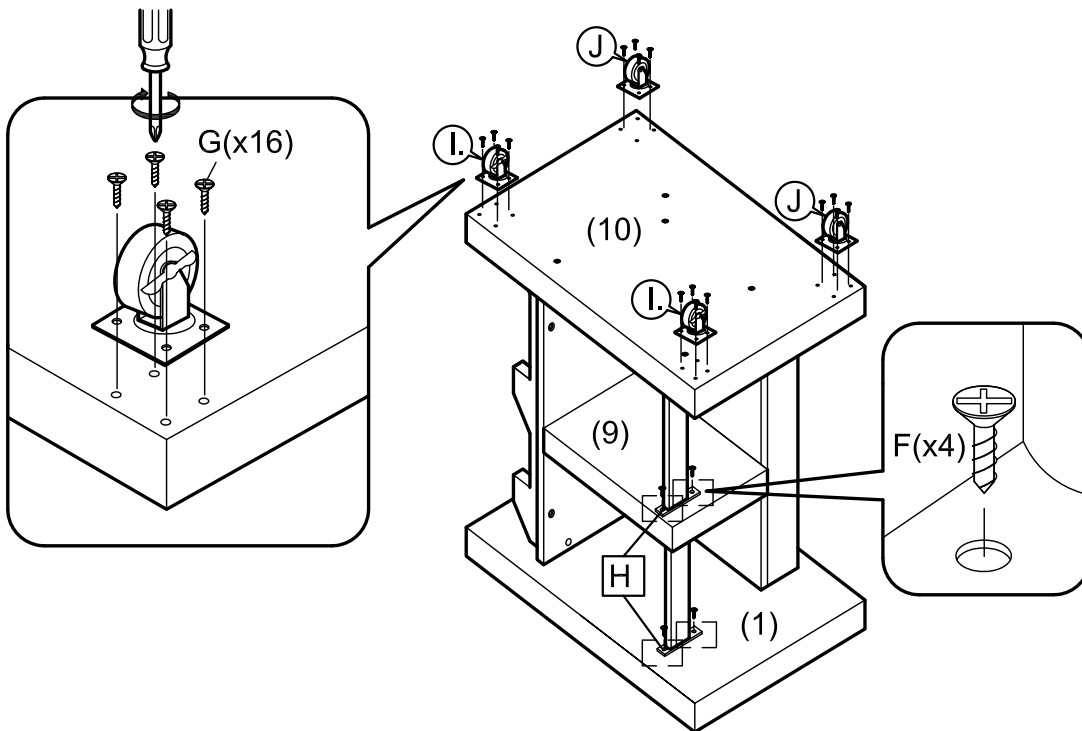
## KITCHEN CART

14



- a) Position subassembly Base (10) bottom-side up as shown to align (10) via dowel on (2) & (3).
- b) Use Screws (M) to fasten (10) to (2) & (3). Do not tighten completely until all the screws are in place.

15



- a) Place Caster with Lock (I) and Caster without Lock (J) in the respective positions as shown. Fasten (I) and (J) with Screws (G).
- b) Position the Support Plates (H) framed by the on Bottom Top Panel (1) and Bottom Shelf Tray (9). Fasten (H) to (1) and (9) respectively with Screws (F).
- c) The assembly of the cart is complete. Place the cart upright.