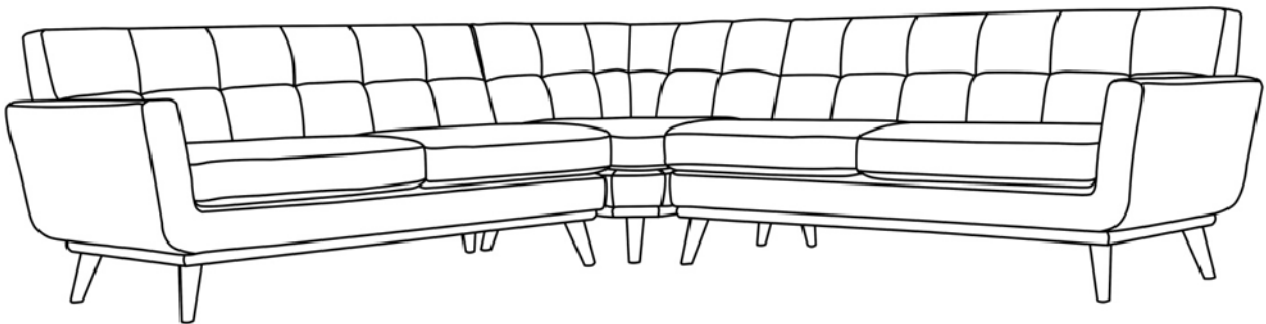


3 PIECE SECTIONAL SOFA SET

Thank you for purchasing the **3 PIECE SECTIONAL SOFA SET!**

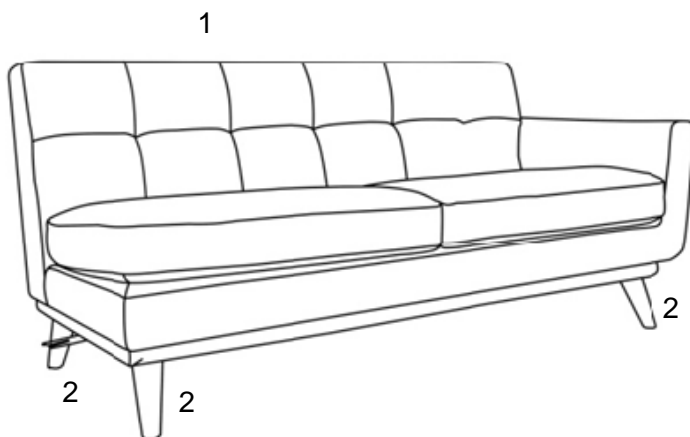
Before you start, here is some helpful advice:

1. We suggest you spend a short time reading through this leaflet and then follow the simple step by step instructions.
2. Owing to the size and weight of the 3 piece sectional sofa set, we recommend that it is assembled by two adults, on a carpeted or padded area, in the room that it is intended for. Approximate assembly time: 30 minutes.
3. Please do not use any tools other than those provided or recommended in these instructions.
4. Please do not throw away any of the packaging or instructions until you have checked all the components and hardware and the furniture is fully assembled.
5. Assemble all components loosely until advised to tighten. Depending on use, it may be necessary to tighten the components from time to time, so please save the tools that have been provided.
6. Please keep all pieces out of reach of small children.



Component:

Right Loveseat Carton



1 Right Loveseat Body x1

2 Leg x4

Hardware:

A  Bolt x8

B  Spring Washer x8

C  Flat Washer x8

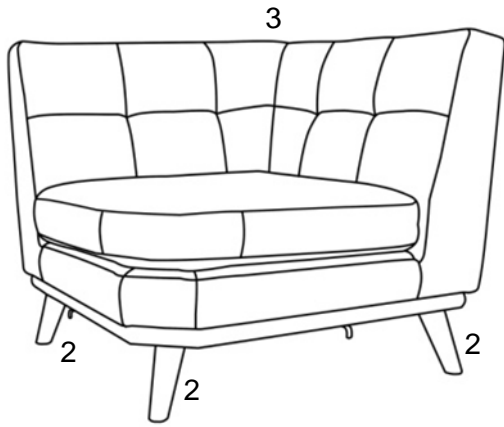
D  Allen Wrench x1

E  Clip x1

F  Screw x4







3 PIECE SECTIONAL SOFA SET

Corner Carton

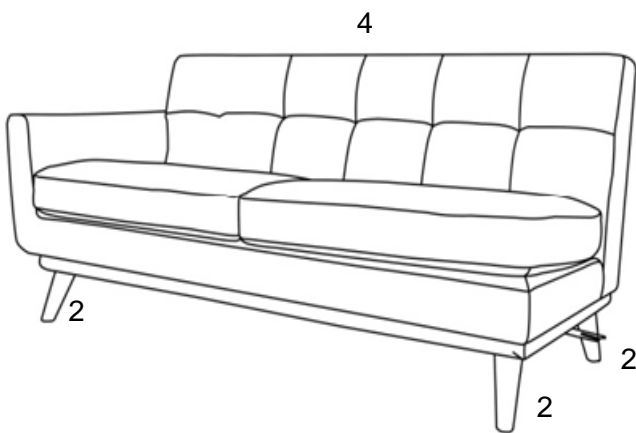


3 Corner Body x1 2 Leg x4

Hardware:

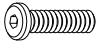





A		Bolt	x8
B		Spring Washer	x8
C		Flat Washer	x8
D		Allen Wrench	x1
G		Clip Post	x2
F		Screw	x4

Left Loveseat Carton



4 Left Loveseat Body x1 2 Leg x4

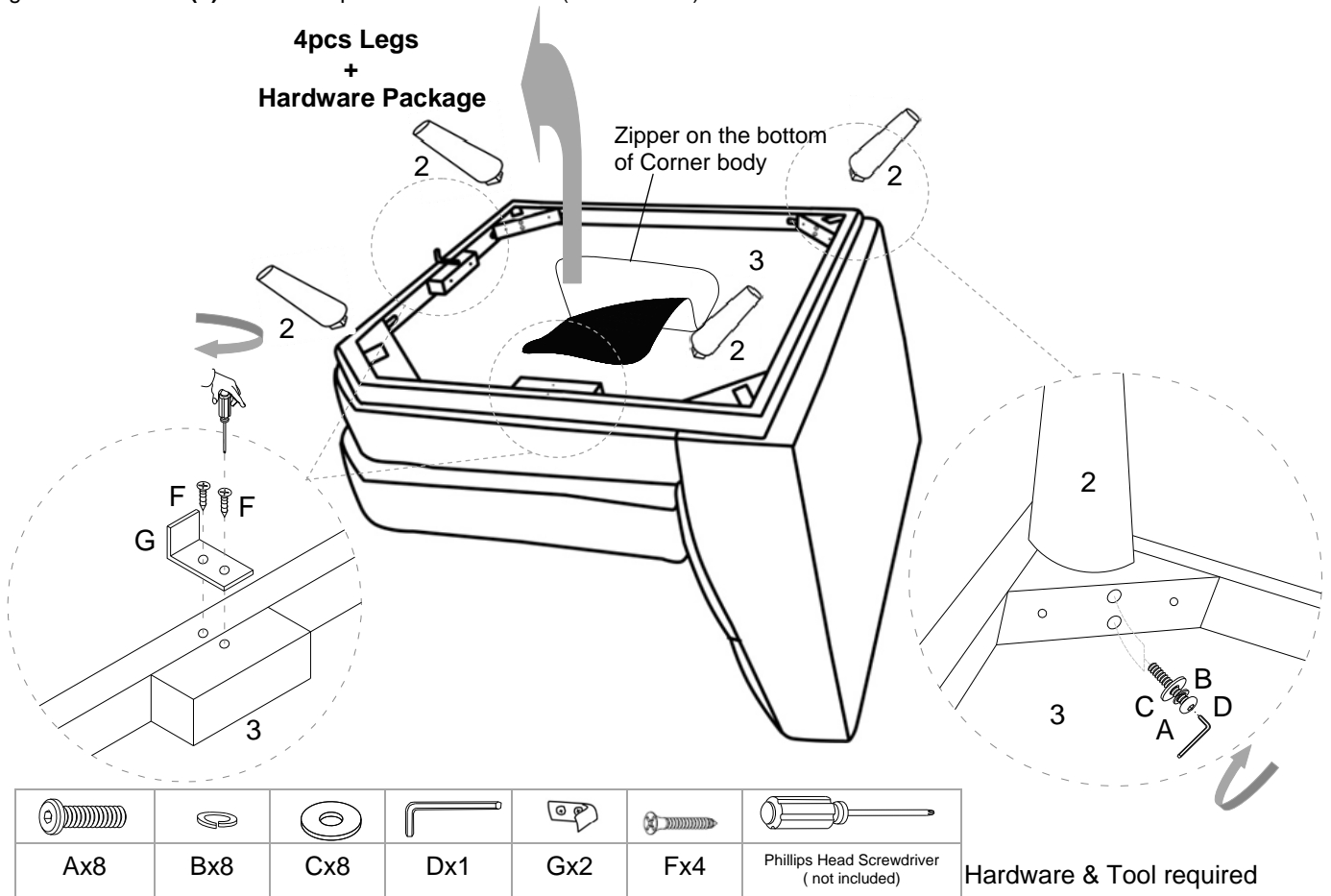
Hardware:

A		Bolt	x8
B		Spring Washer	x8
C		Flat Washer	x8
D		Allen Wrench	x1
E		Clip	x1
F		Screw	x4

3 PIECE SECTIONAL SOFA SET

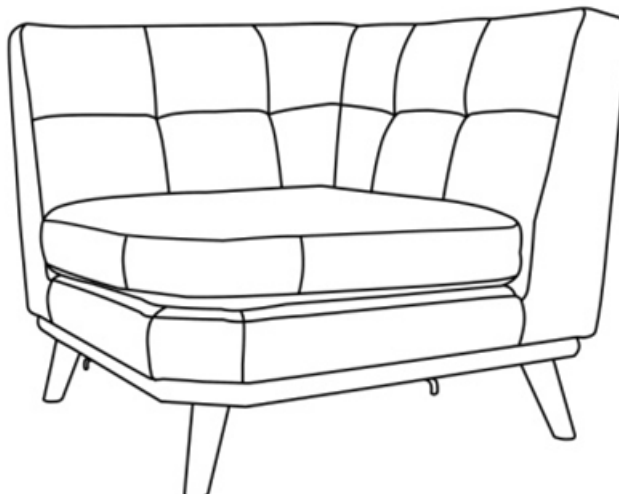
STEP 1:

Please put the **Corner Body (3)** upside down on a carpeted or padded area by two adults to make fully visible the corners. Open the Zipper on the bottom of **Corner Body (3)** as shown. Take out the 4pcs **Legs (2)** and hardware package on bottom of the **Corner Body (3)**. Position one of **Legs (2)** at one of the four wooden corners. Insert 2 pieces of each **Spring Washer (B)**, **Flat Washer (C)** into 2 pieces of **Bolt (A)** as shown. Then insert assembled 2 pieces of **Bolts (A)** into the corner to connect the **Leg(2)**. Use **Allen Wrench (D)** to tighten all of **Bolts (A)**. Repeat the same steps for the remaining three legs (2). Secure 2pcs **Clip Post (G)** to the Bottom of **Corner Body (3)** by using 4pcs **Screw (F)**. Tighten all **Screws (F)** with a Phillips Head Screwdriver (not included).



STEP 2:

Carefully turn over the corner .



3 PIECE SECTIONAL SOFA SET

STEP 5:

Please put the **Left Loveseat Body (1)** upside down on a carpeted or padded area by two adults to make fully visible the corners. Open the Zipper on the bottom of **Left Loveseat Body (1)** as shown.

Take out the 4pcs **Legs (2)** and hardware package on bottom of the **Left Loveseat Body (1)**.

Position one of **Legs (2)** at one of the four wooden corners.

Insert 2 pieces of each **Spring Washer (B)**, **Flat Washer (C)** into 2 pieces of **Bolt (A)** as shown.

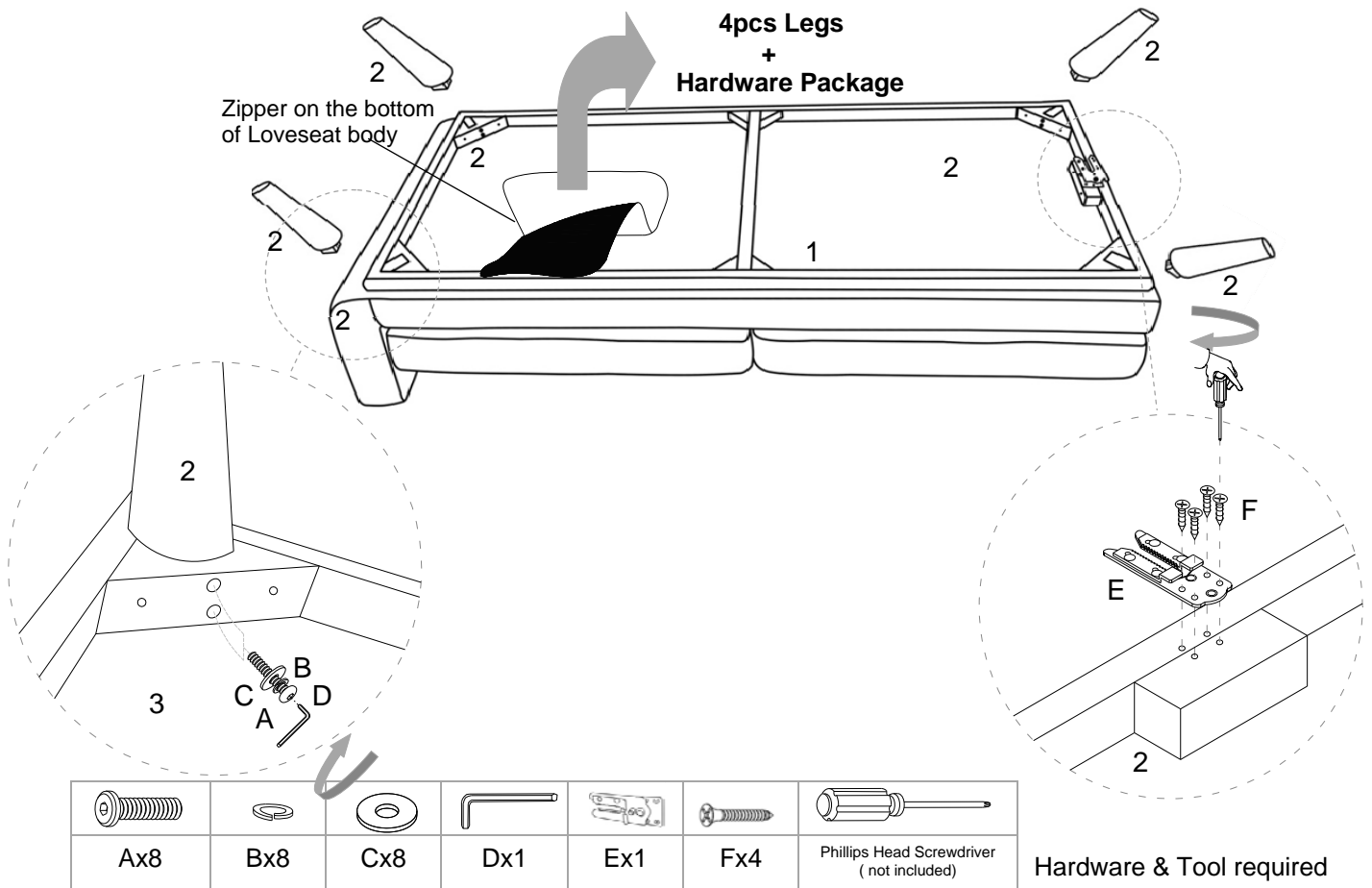
Then insert assembled 2 pieces of **Bolts (A)** into the corner to connect the **Leg(2)**.

Use **Allen Wrench (D)** to tighten all of **Bolts (A)**.

Repeat the same steps for the remaining three legs (2).

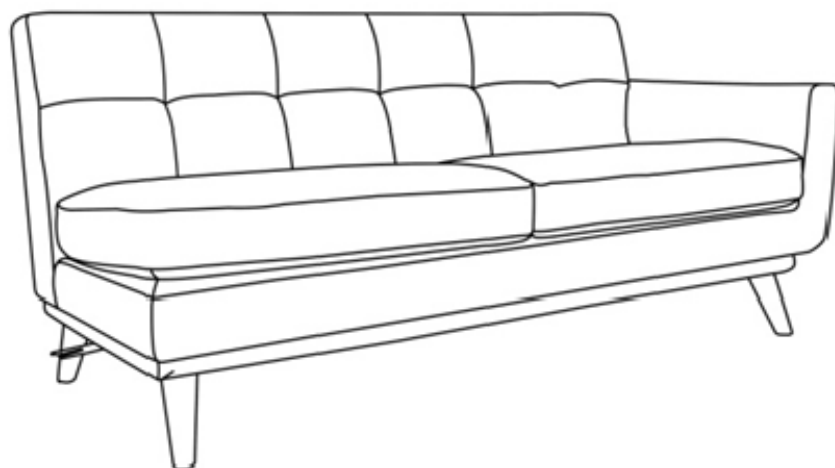
Secure 1pc **Clip (E)** to the Bottom of **Left Loveseat Body (3)** by using 4pcs **Screw (F)**.

Tighten all **Screws (F)** with a Phillips Head Screwdriver (not included).



STEP 4:

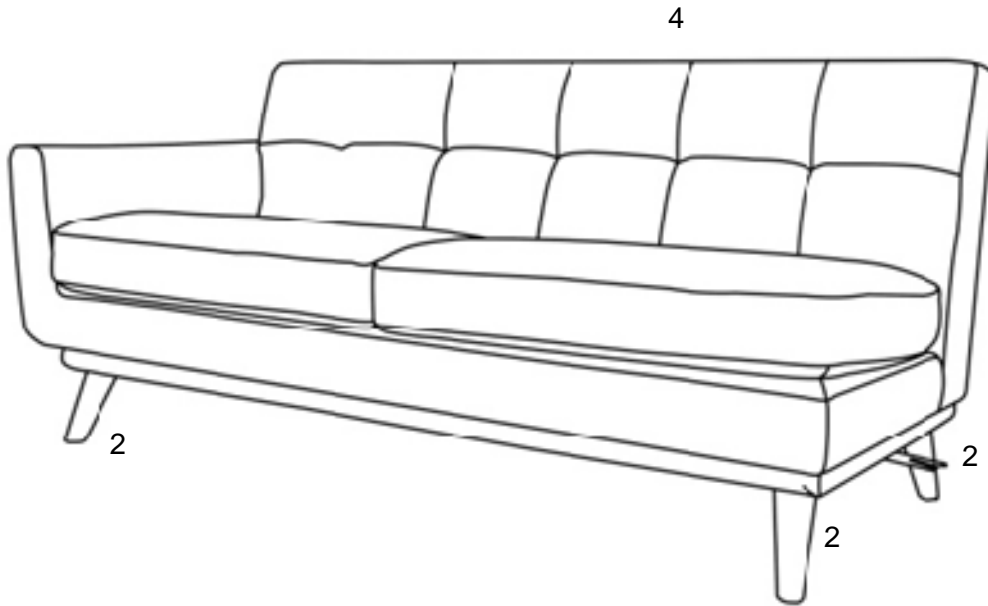
Carefully turn over the Left loveseat.







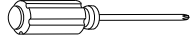


3 PIECE SECTIONAL SOFA SET

STEP 5:

Repeat the same steps for the right Loveseat.



						
Ax8	Bx8	Cx8	Dx1	Ex1	Fx4	Phillips Head Screwdriver (not included)

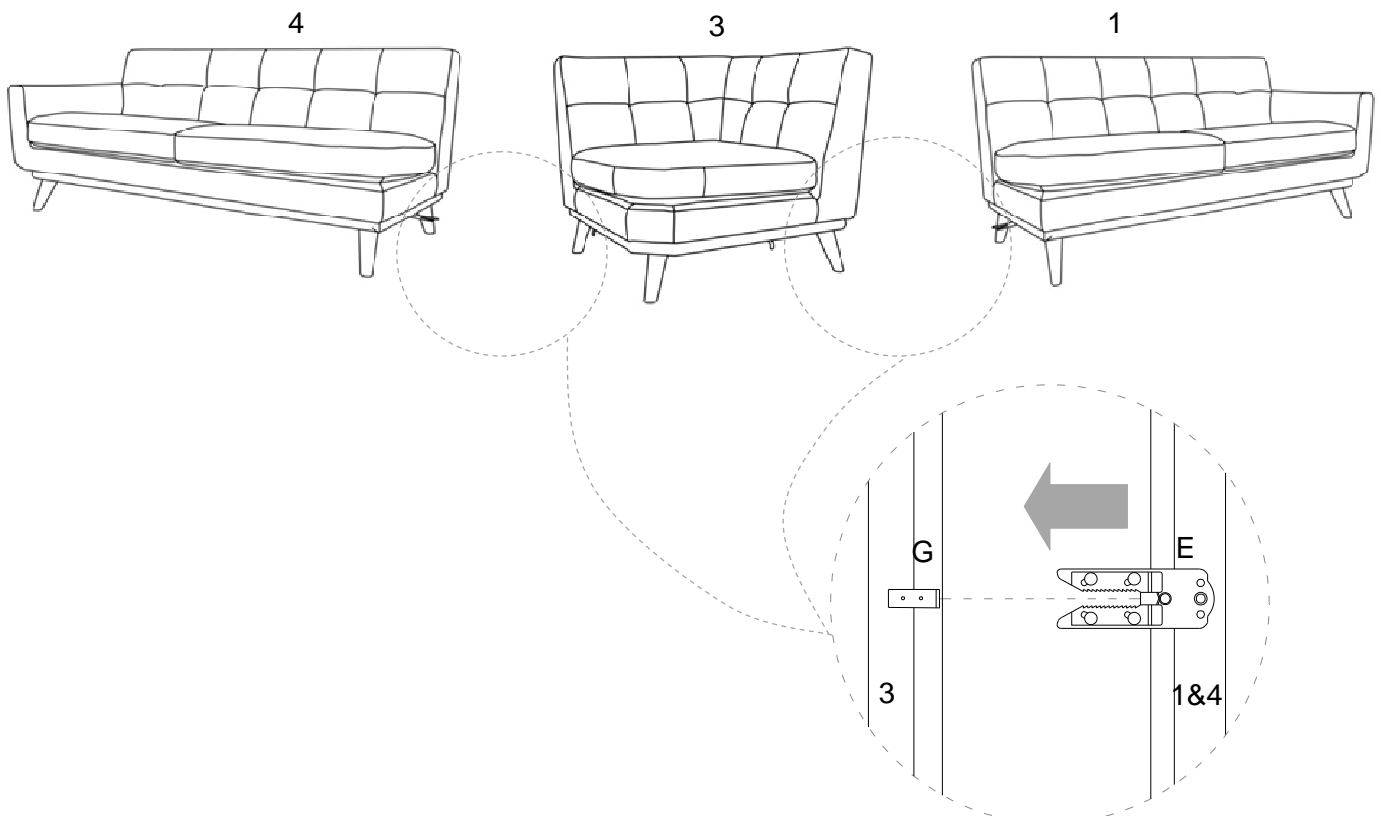
Hardware & Tool required

STEP 6:

Please place the **Corner (3)** at your desired location.

Align the **Clips (E)** on the bottom of **Loveseat (1&4)** to the **Clip Posts (G)** on the bottom of **Corner (3)** as shown.

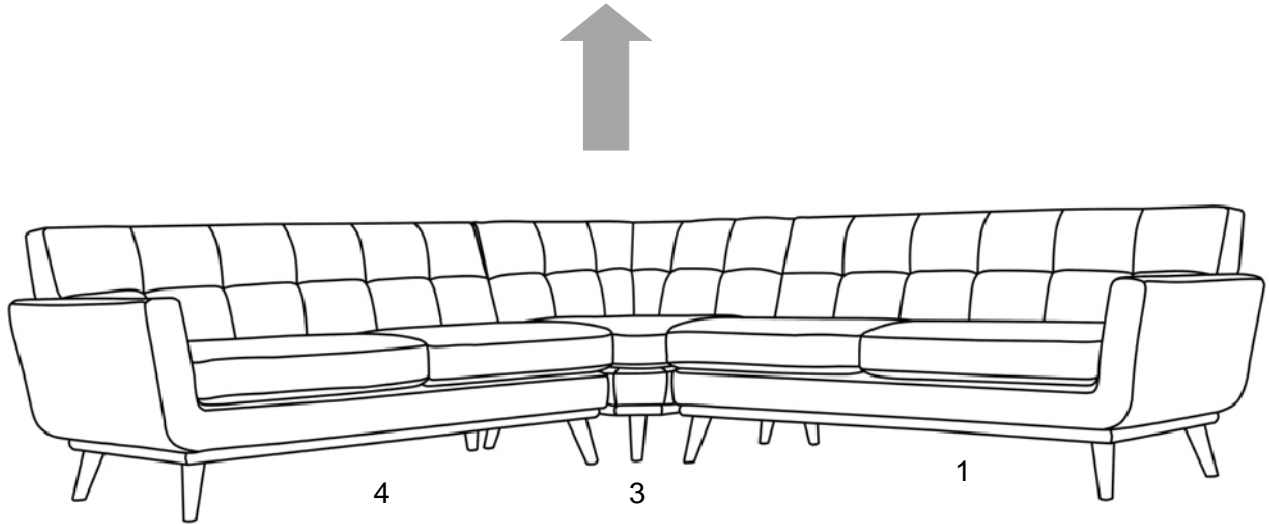
Push the **Loveseats (1&4)** close to the **Corner (2)** slowly until the Clip and the Post click together tightly.



3 PIECE SECTIONAL SOFA SET

STEP 7:

If you want to unlock the sofa. Please lift up the **Corner (3)** by two people.



Assembly is completed. The 3 piece sectional sofa set is ready to enjoy now!