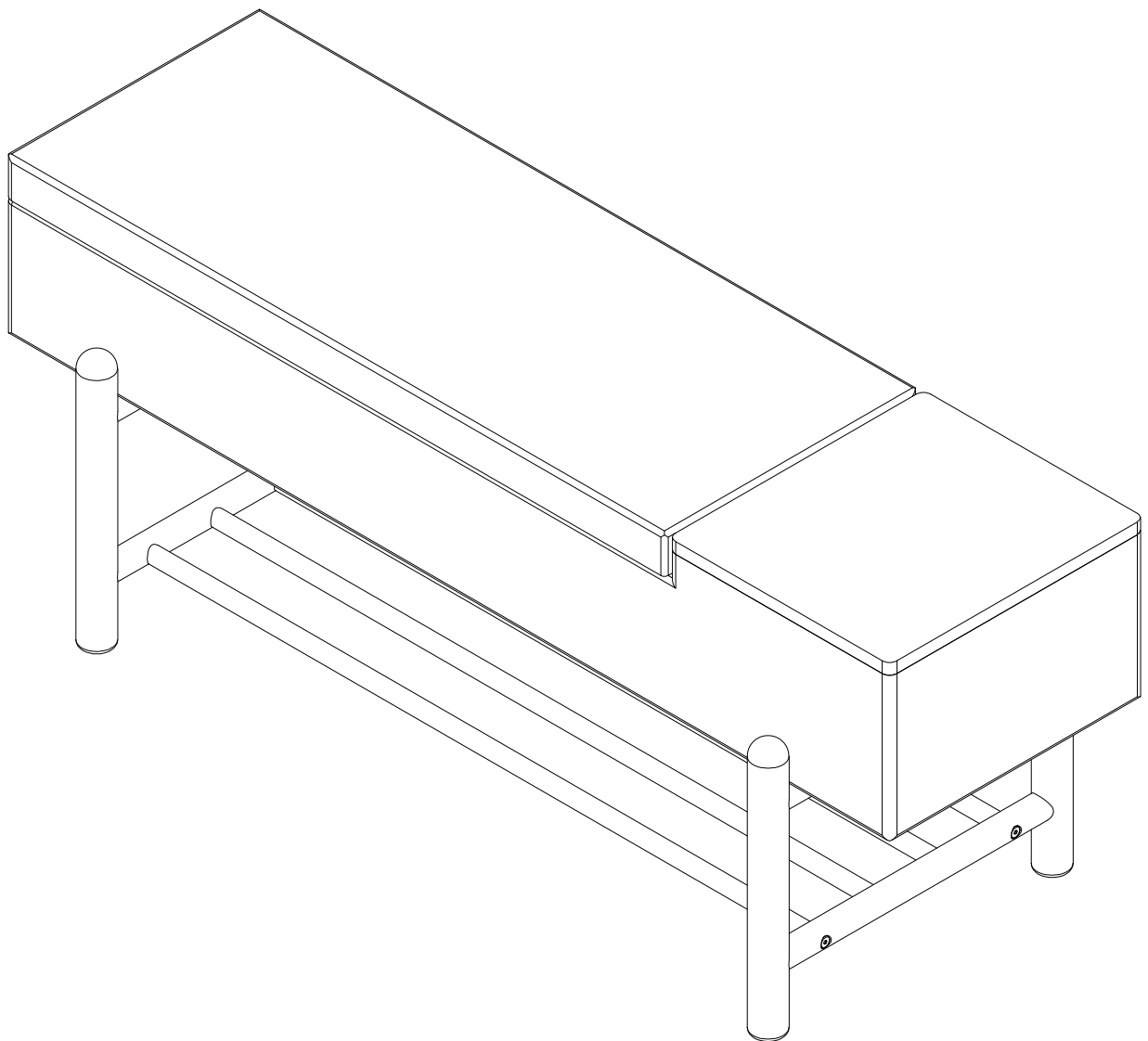
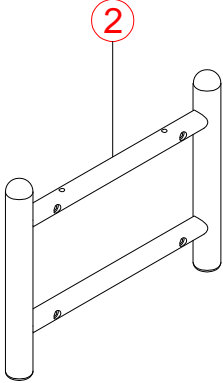
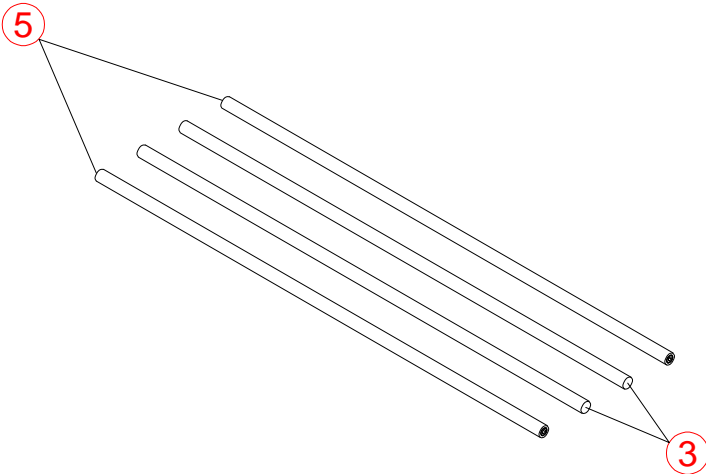
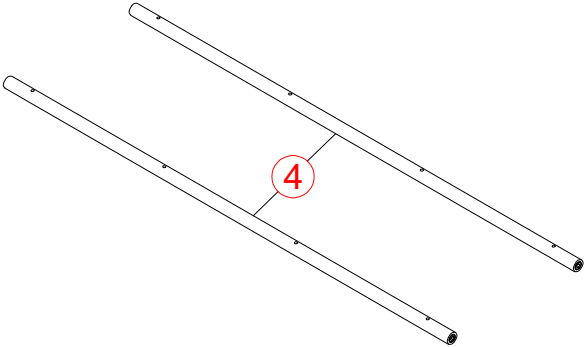
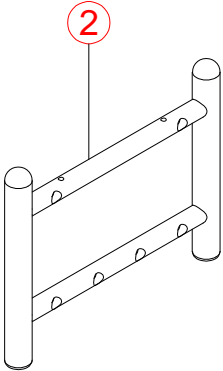
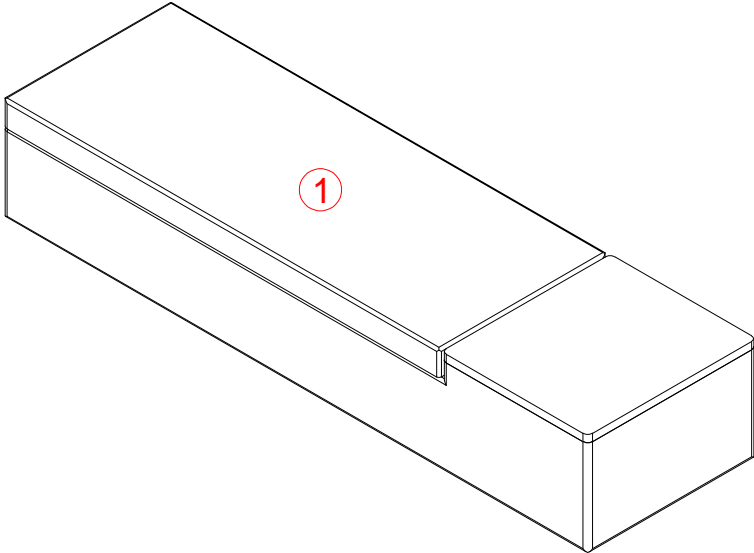


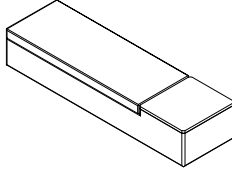

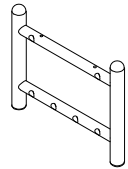


ASSEMBLY INSTRUCTIONS



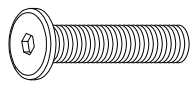
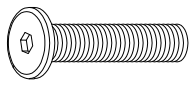

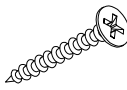
PRODUCT DETAILS

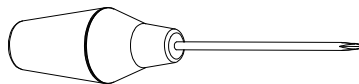


PARTS LIST

①	CHAIR STORAGE BOX		1pc				
				④	HORIZONTAL CIRCLE ABOVE		2pcs
②	CHAIR LEGS		2pcs				
				⑤	HORIZONTAL CIRCLE UNDER 2		2pcs
③	HORIZONTAL CIRCLE UNDER 1		2pcs				

HARDWARE LIST

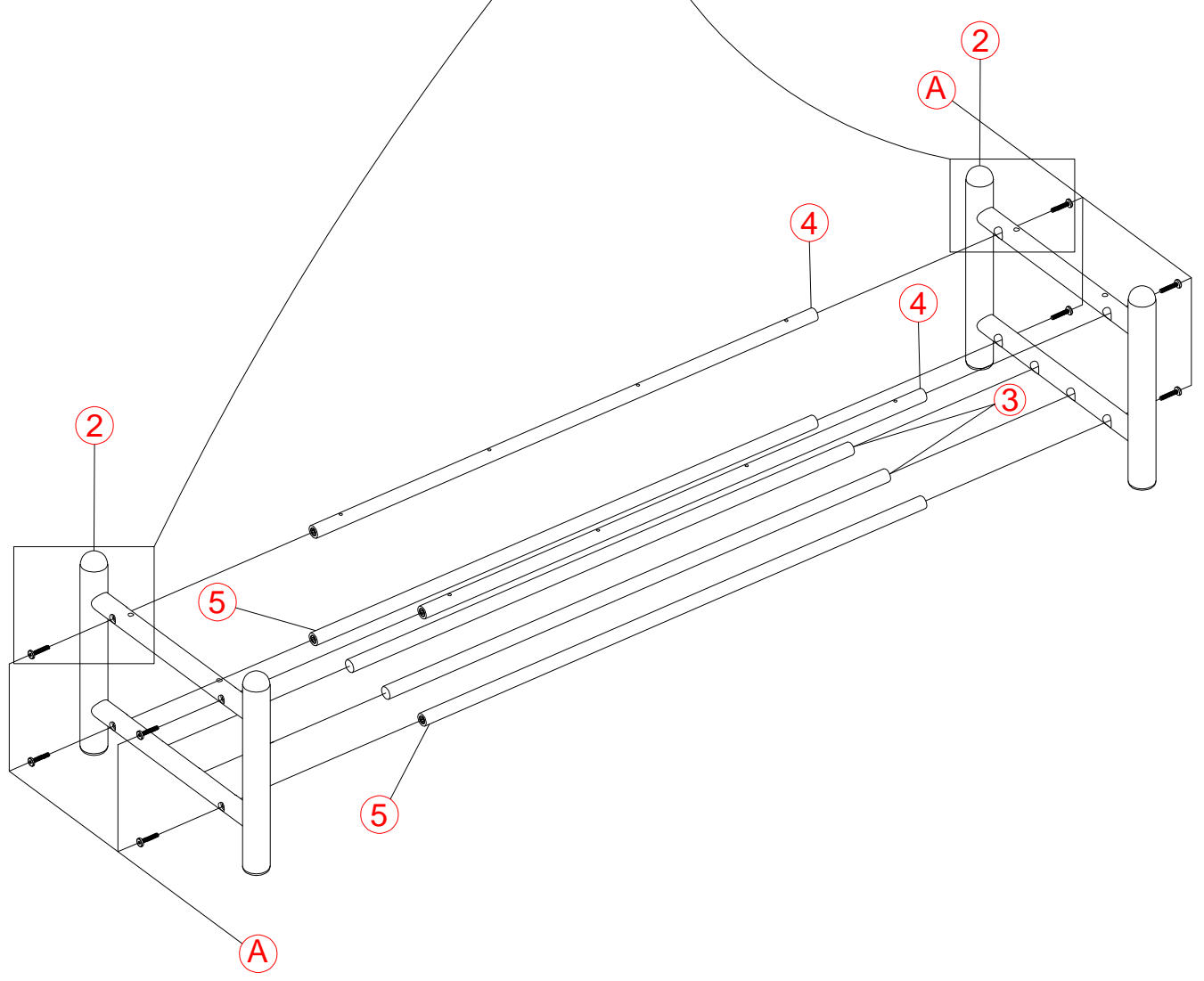
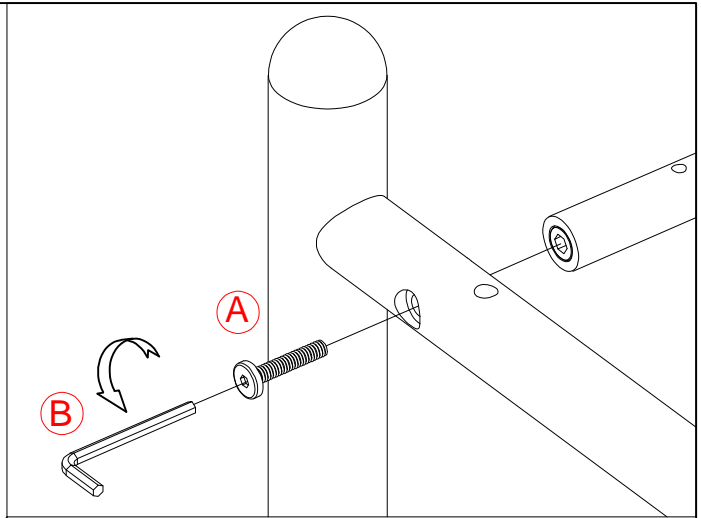
A	M6*45MM		8pcs				
				C	M6*35MM		4pcs
B	L4*58MM		1pc				
				D	4*25MM		8pcs

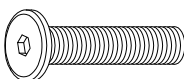



ASSEMBLY TOOLS REQUIRED (NOT INCLUDED)

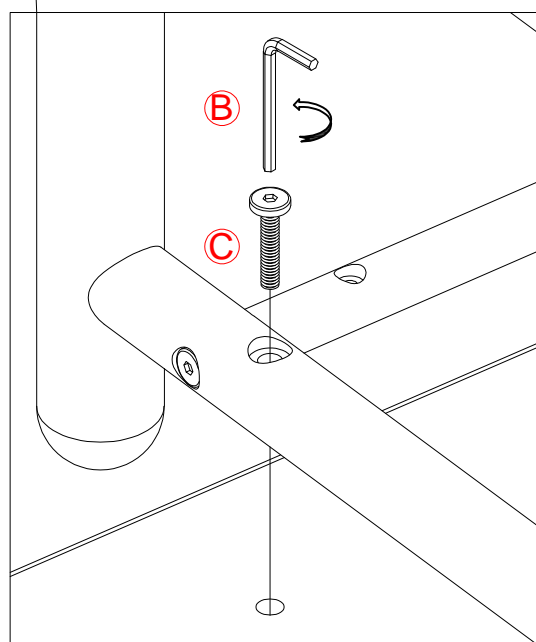
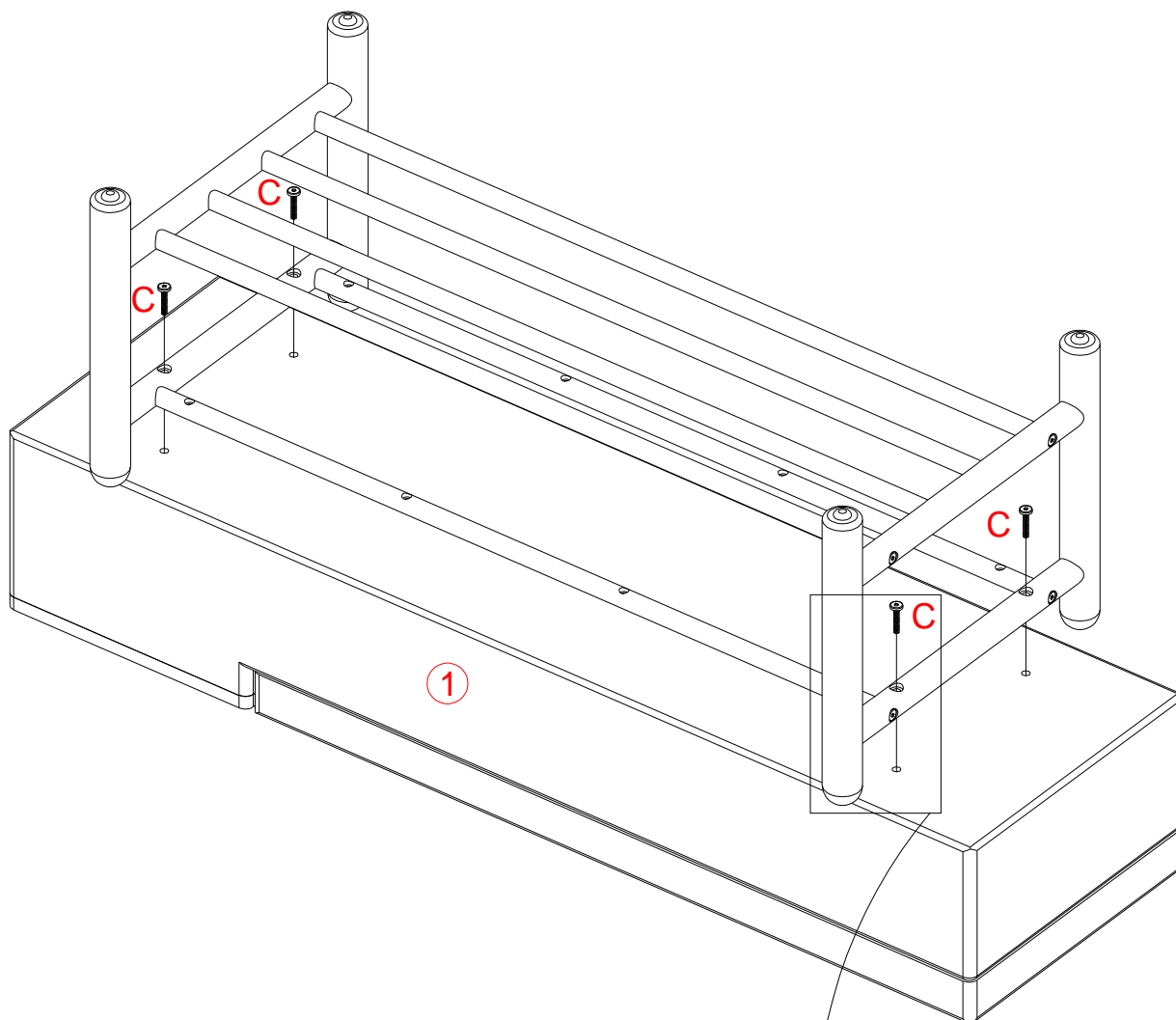
OUTILS D'ASSEMBLAGE REQUIS (NON INCLUS)

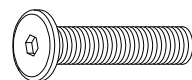
STEP 1



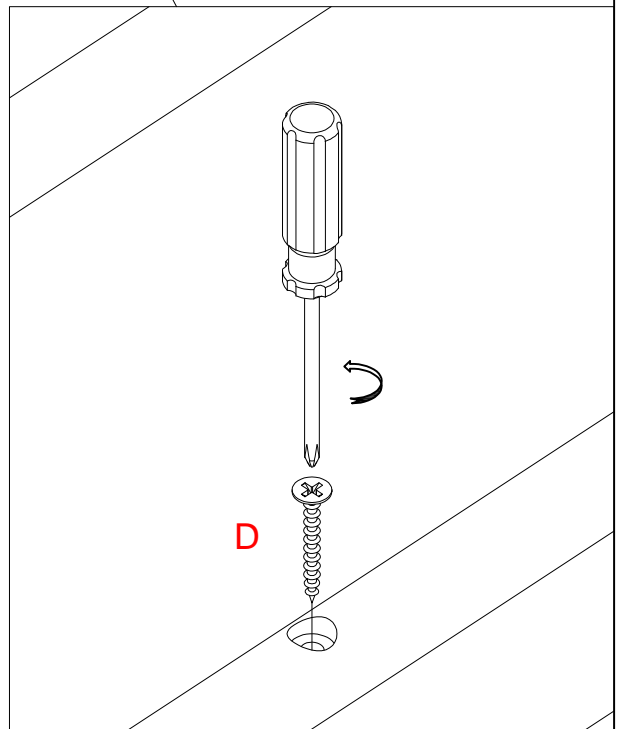
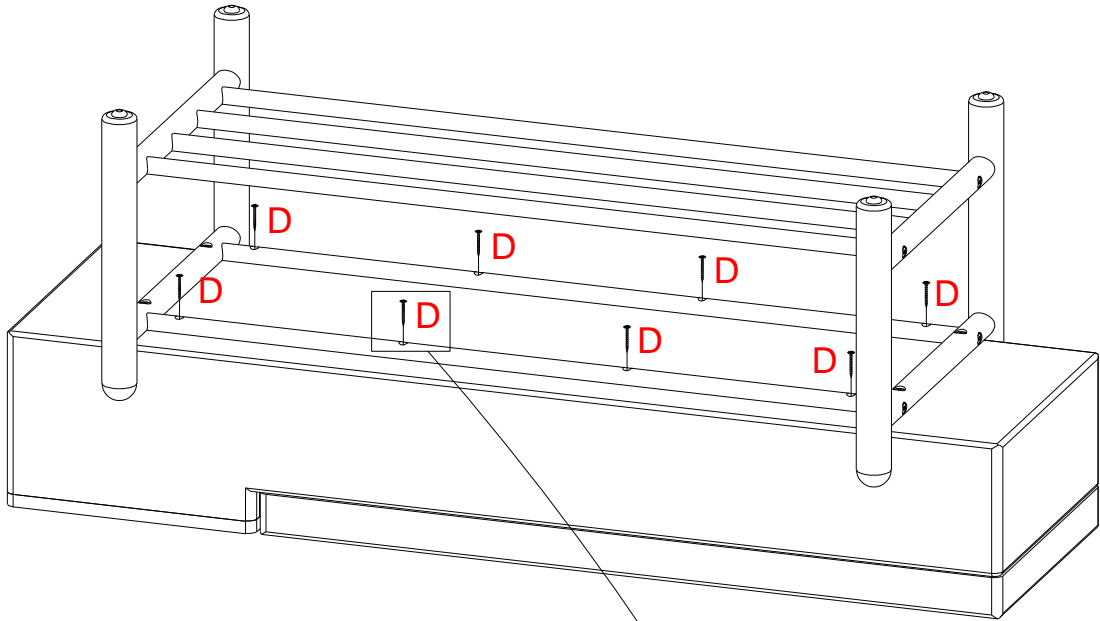
(A)	M6*45mm 	8pcs	(B) L4*58MM 	1pc
------------	---	------	--	-----

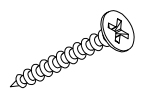
STEP 2



C	M6*35mm		4pcs
----------	---------	---	------

STEP 3



D	M4*25mm		8pcs
----------	---------	---	------

STEP 4

