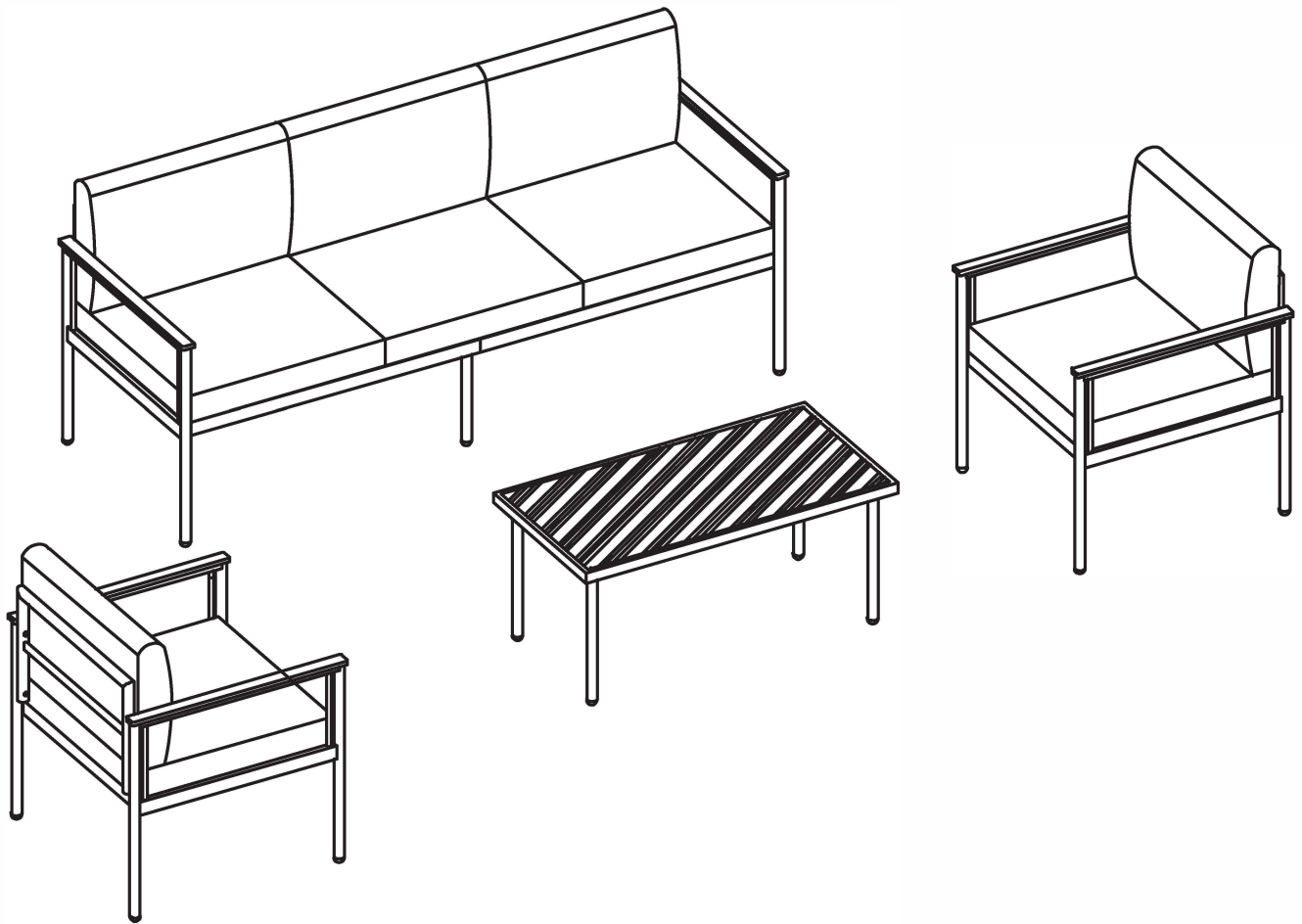


4 Piece Patio Conversation Set-5



NOTICE

EN

Please keep these instructions for future reference.

Dear Customer

● Thank you for your purchase. When you receive the product, please make sure that all the parts are intact. If any parts are missing, please contact us promptly to request replacement parts.

● Then follow the entire installation instructions to install.

● Each part is crucial, so please be careful not to lose any. It is recommended to store parts with different lettered identifiers in separate boxes or bags to avoid confusion during installation.

A . The outer box is damaged

B . The product is damaged / bent / cracked while you open the box

C . The parts / accessories / assembly tools are missing

D . The instructions are not clear and can not be referred



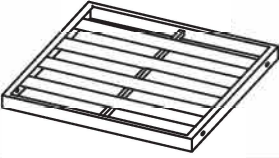
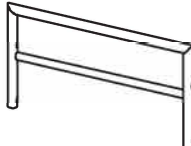
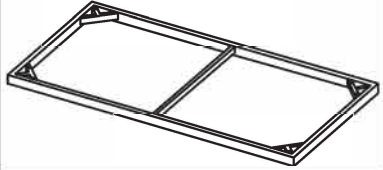


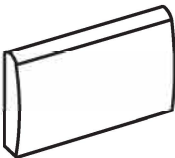
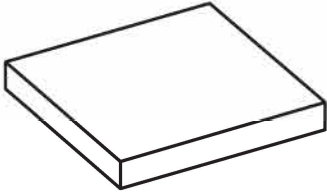
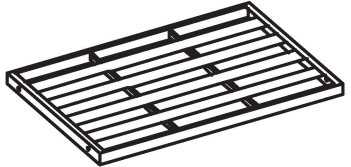
E . The product has functional problems

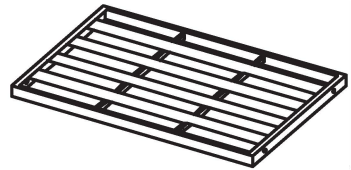
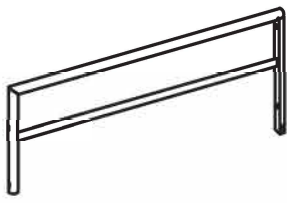







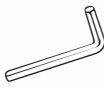

F . Other aspects that you are not satisfied with

Please feel free to contact us for help, and provide the following information:

Platform/Shop name/Order id/Buyer's name/Receiver's address/Problem

PART LIST

A		3PCS
B		3PCS
C		2PCS
D		2PCS
E		1PC
F		4PCS
G		1PC
H		5PCS
I		5PCS
J		1PC

K		1PC
L		2PCS
M		2PCS
N	 M6*15	20PCS
O	 M6*25	12PCS
P	 M6*40	6PCS
Q	 M6*50	12PCS
R		54PCS
S		4PCS
T		1PC
U		1PC

STEP

01

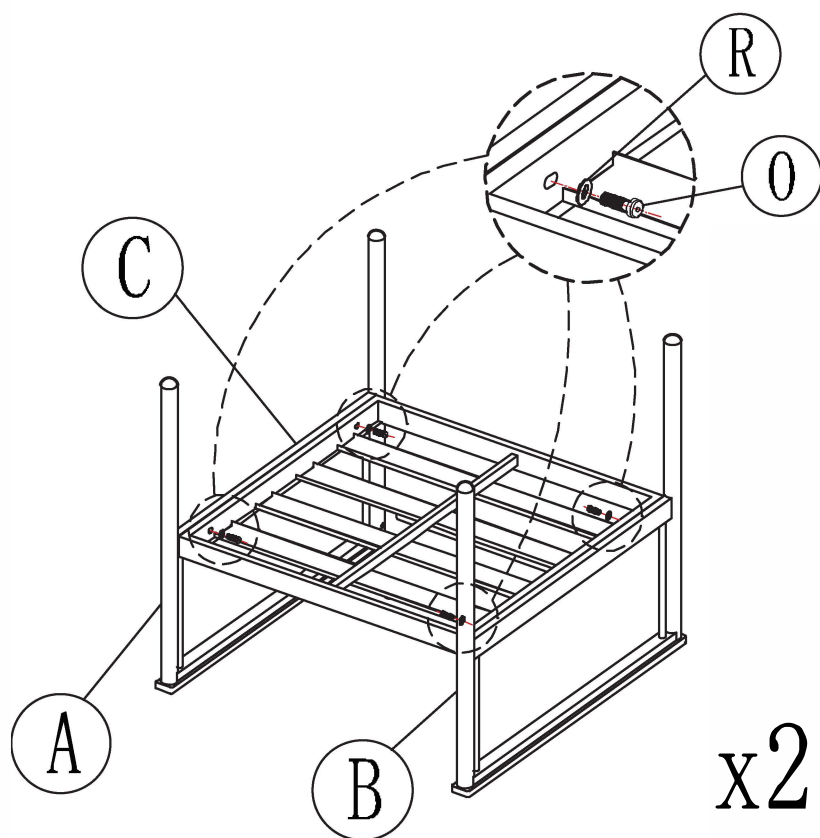
Ax2

Bx2

Cx2

Ox8

Rx8

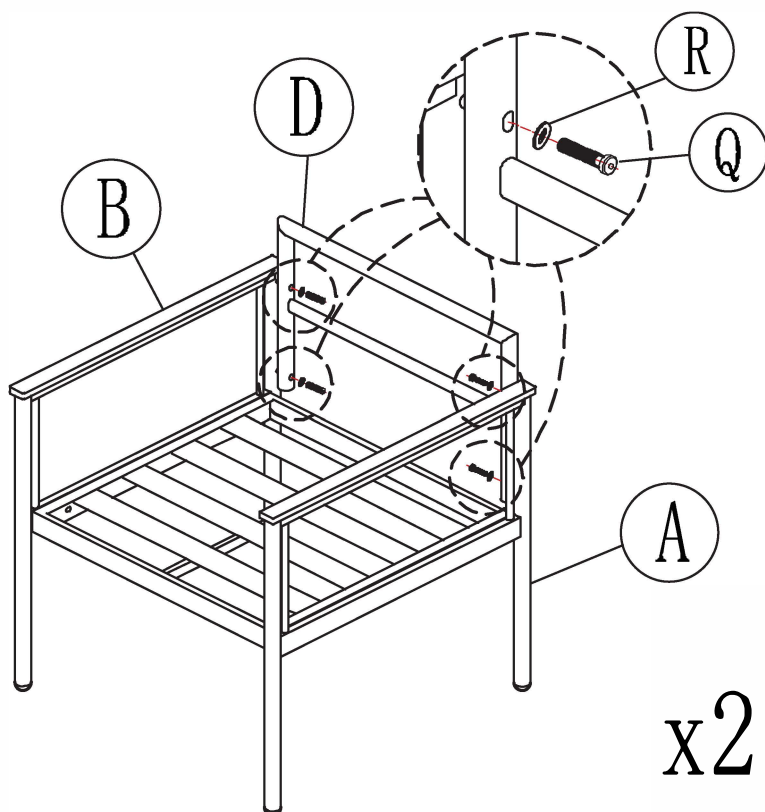


02

Dx2

Qx8

Rx8

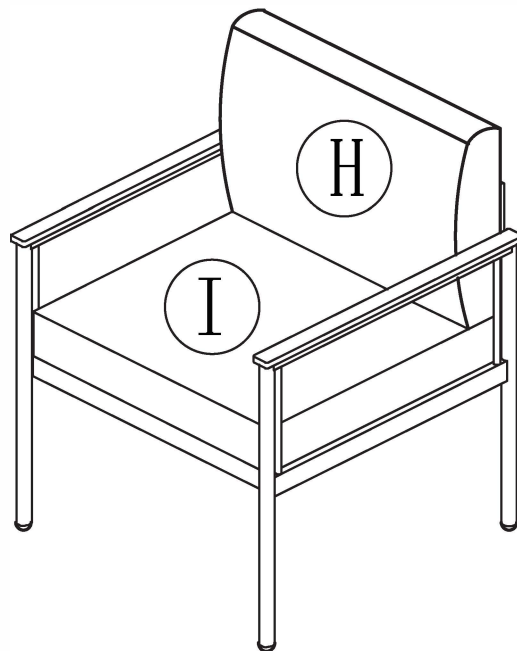


STEP

03

Hx2

Ix2



x2

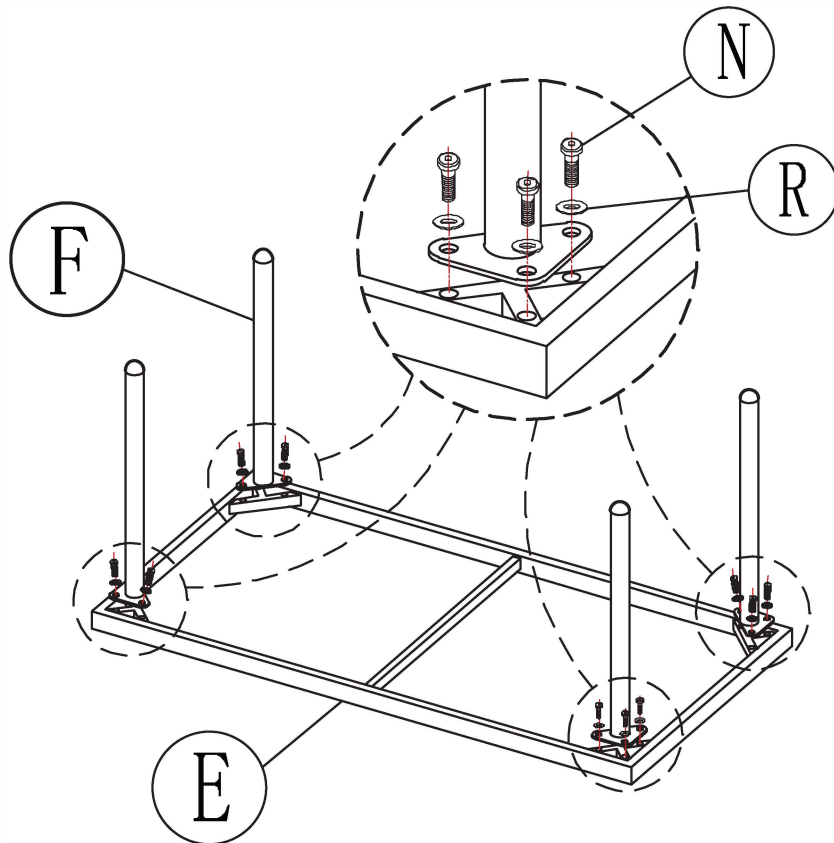
04

Ex1

Fx4

Nx12

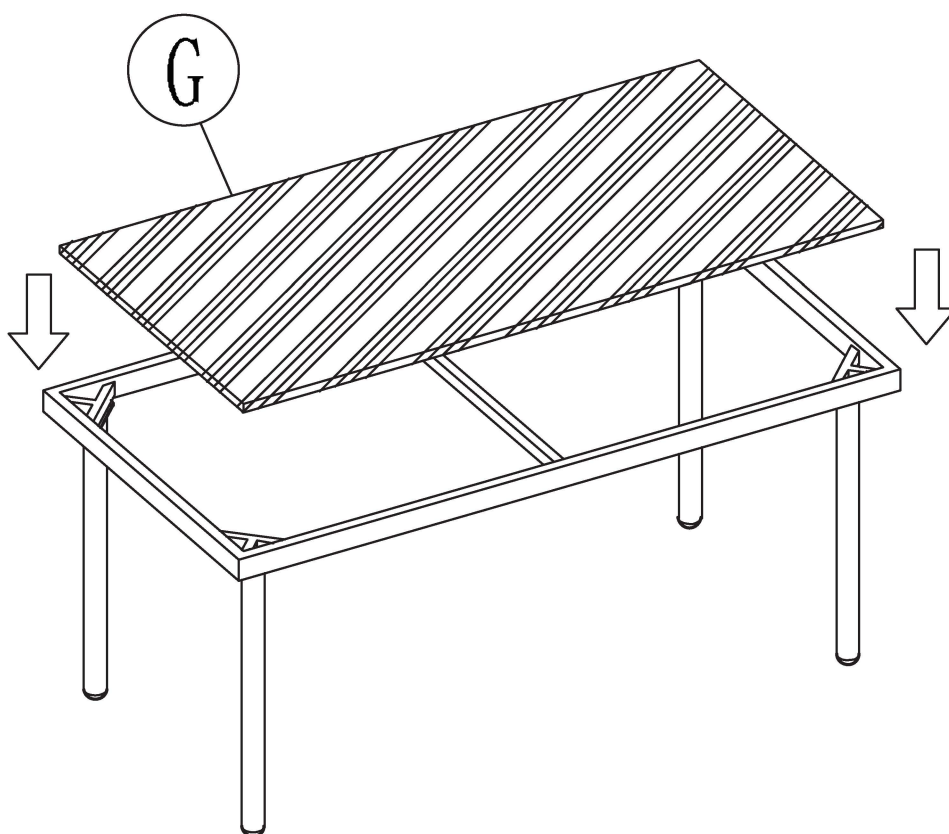
Rx12



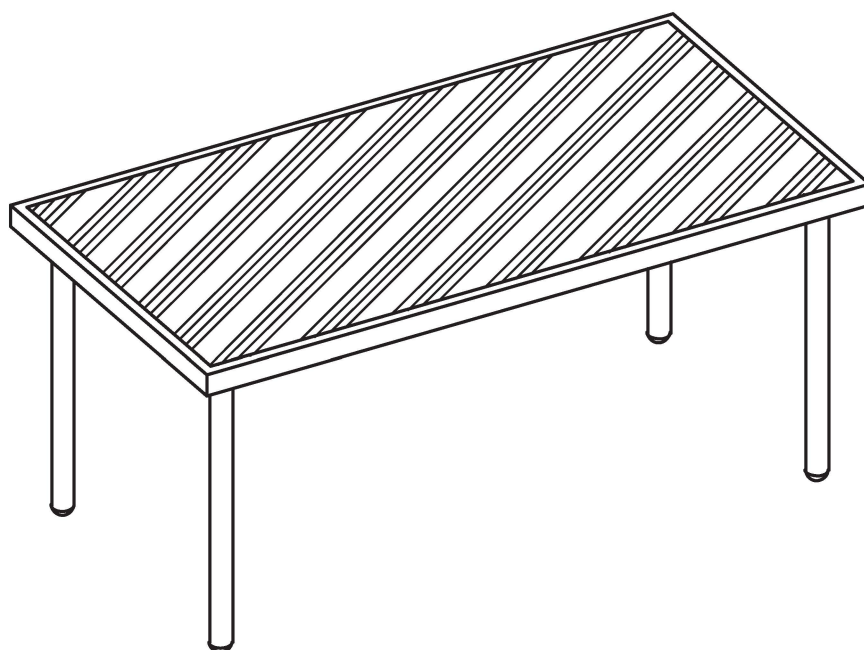
STEP

05

Gx1



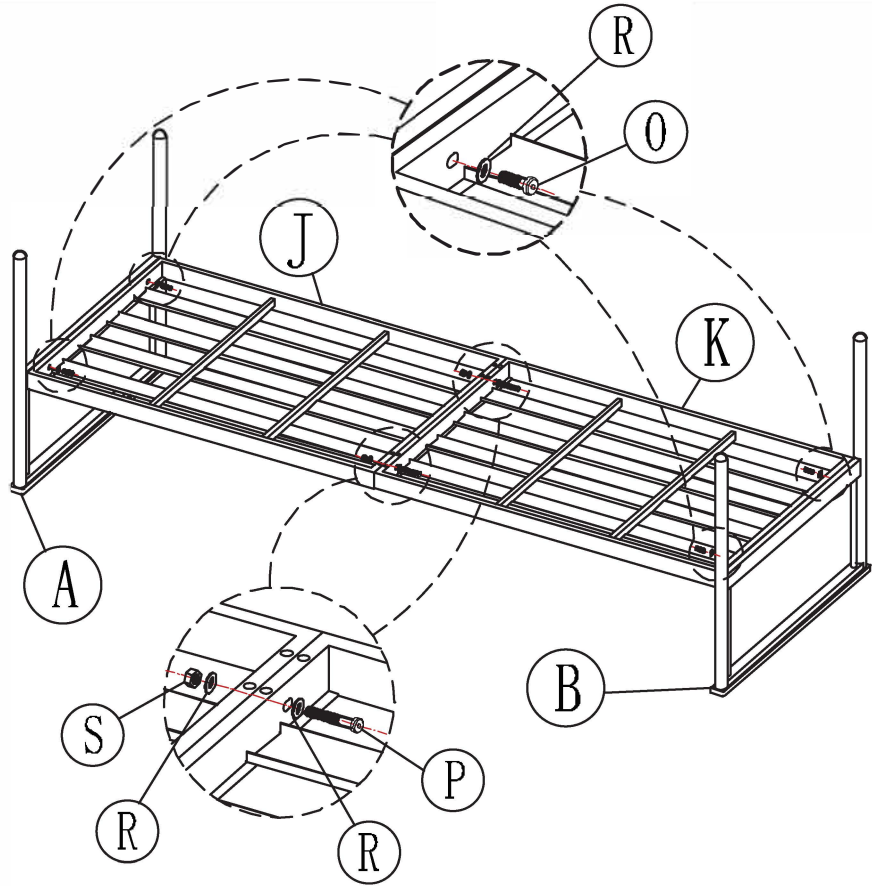
06



STEP

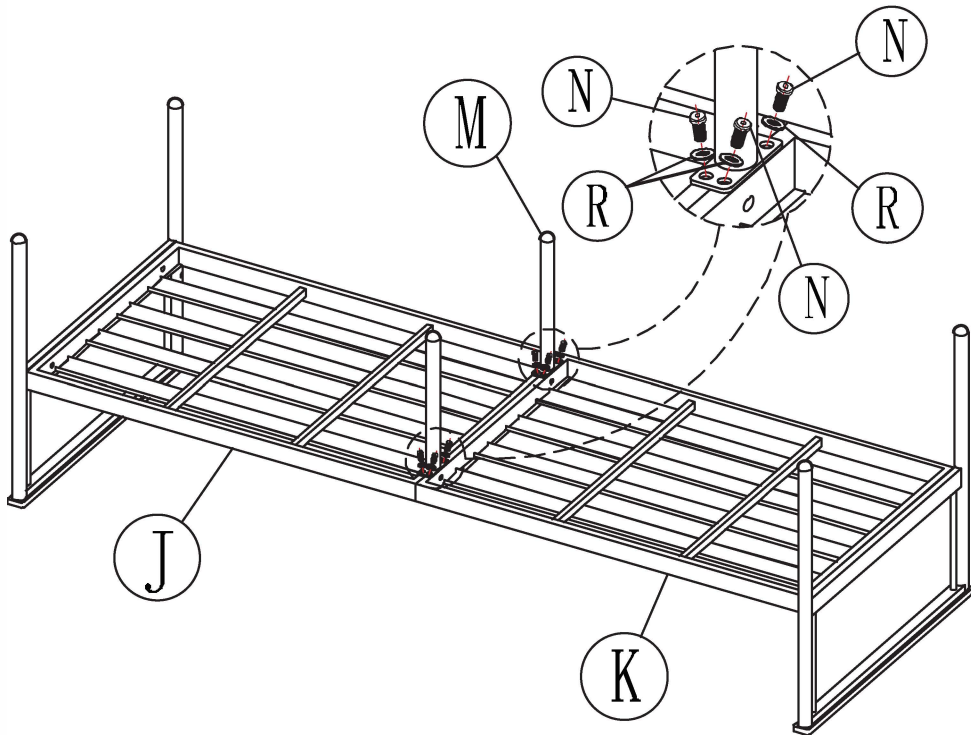
07

Ax1
Bx1
Jx1
Kx1
Ox4
Px2
Sx2
Rx8



08

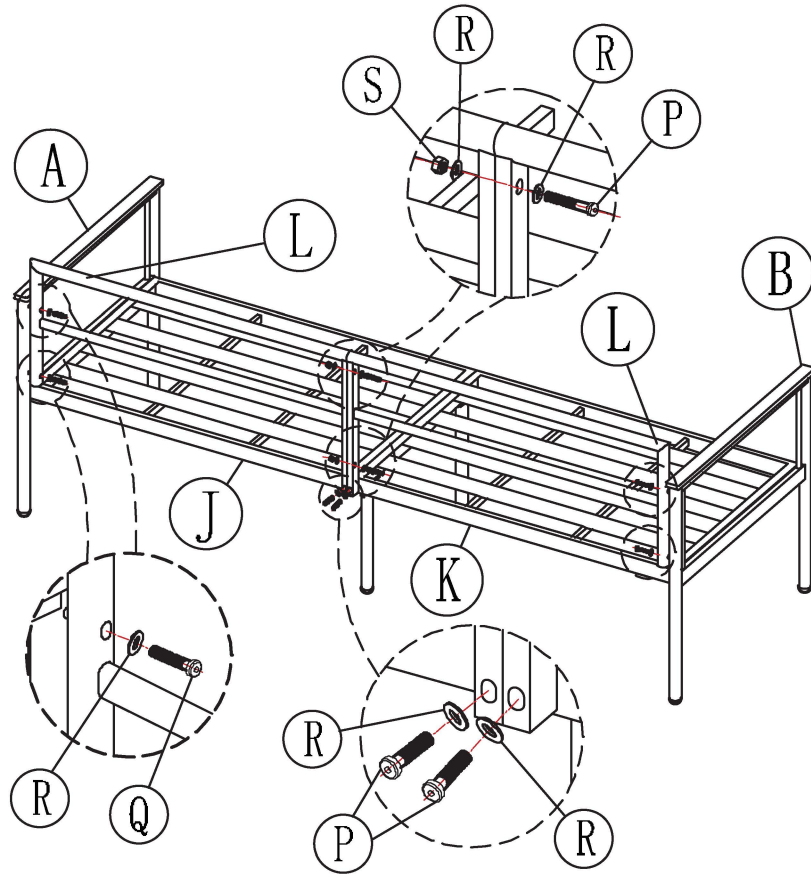
Mx2
Nx8
Rx8



STEP

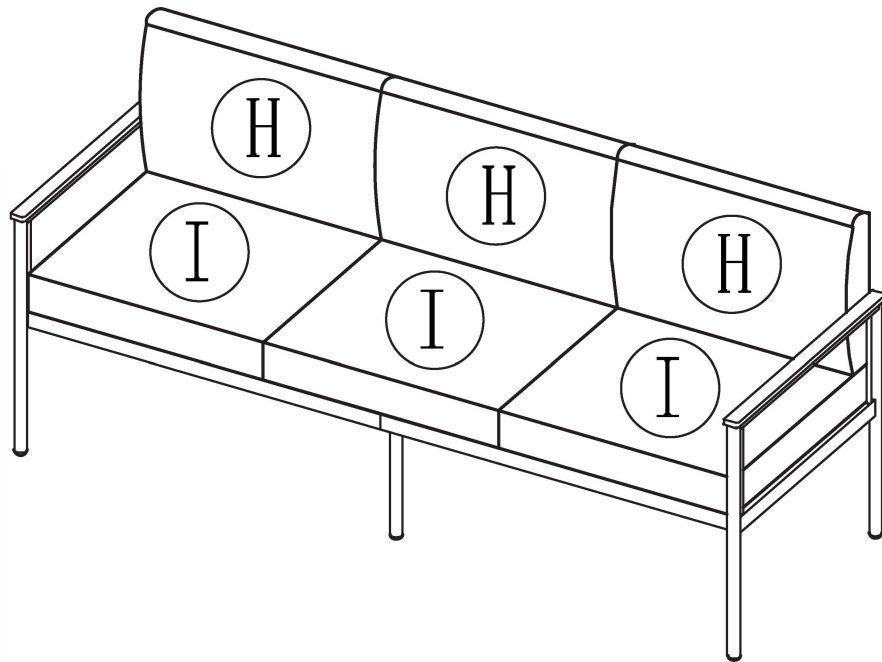
09

Lx2
Px4
Qx4
Sx2
Rx10



10

Hx3
Ix3



AFTER-SALE SERVICE

If you have any suggestions for our products or notice any quality issues, please contact us first. Our after-sales team will respond within 24 hours and will do everything possible to provide you with a satisfactory solution.

Guaranteed Customer Service

Your shopping experience is very important to us!

Feel unsatisfied? **Contact us!**

Have any questions? **Contact us!**

Wanna Share how wonderful our smart products make your home?

Share your pictures with us.

Any suggestions? **Contact us!**

We will check and give feedback.