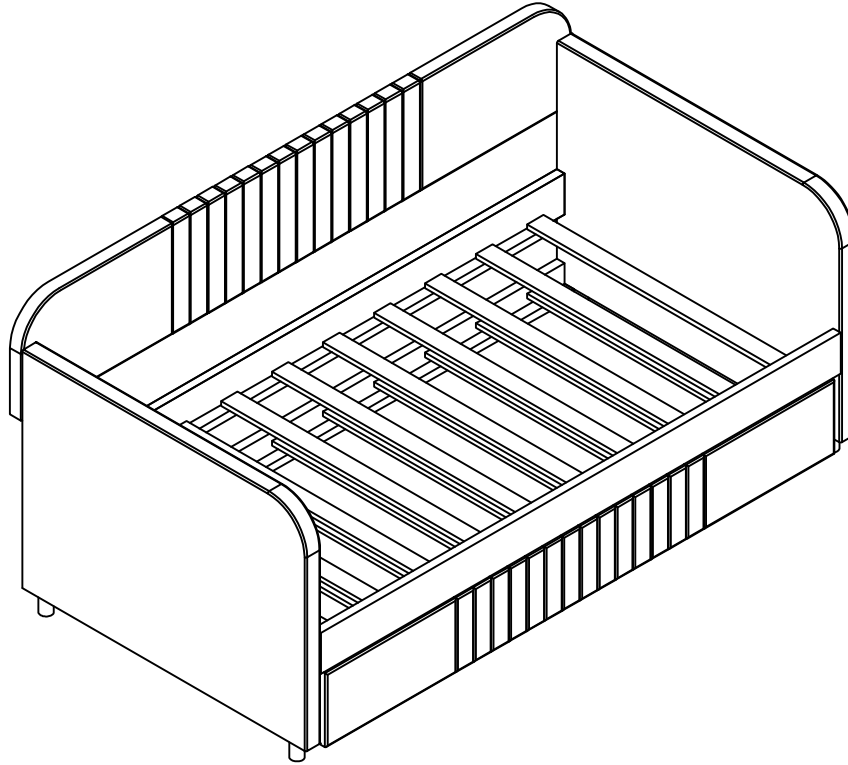


# ASSEMBLY INSTRUCTIONS



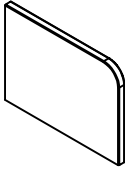
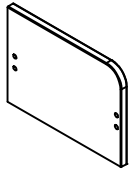
## IMPORTANT NOTE



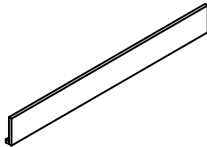

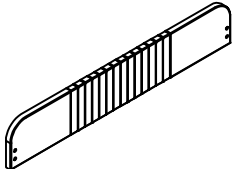
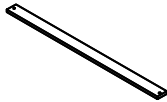
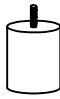
**\*\*PLACE ALL PARTS ON A CLEAN AND SMOOTH SURFACE SUCH AS A RUG OR CARPET TO AVOID THE PARTS FROM BEING SCRATCHED**

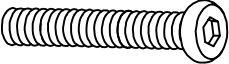

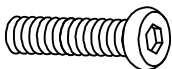

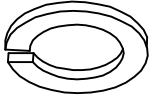
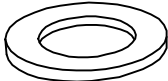
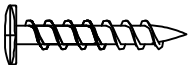
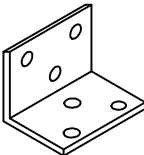
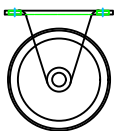
**\*\* BEFORE YOU BEGIN , KINDY FOLLOW THE ASSEMBLY INSTRUCTIONS STEP BY STEP**

**\*\*DO NOT TIGHTEN ALL SCREWS AND BOLTS UNTIL THE BED IS FULLY SET-UP**

# ASSEMBLY INSTRUCTIONS

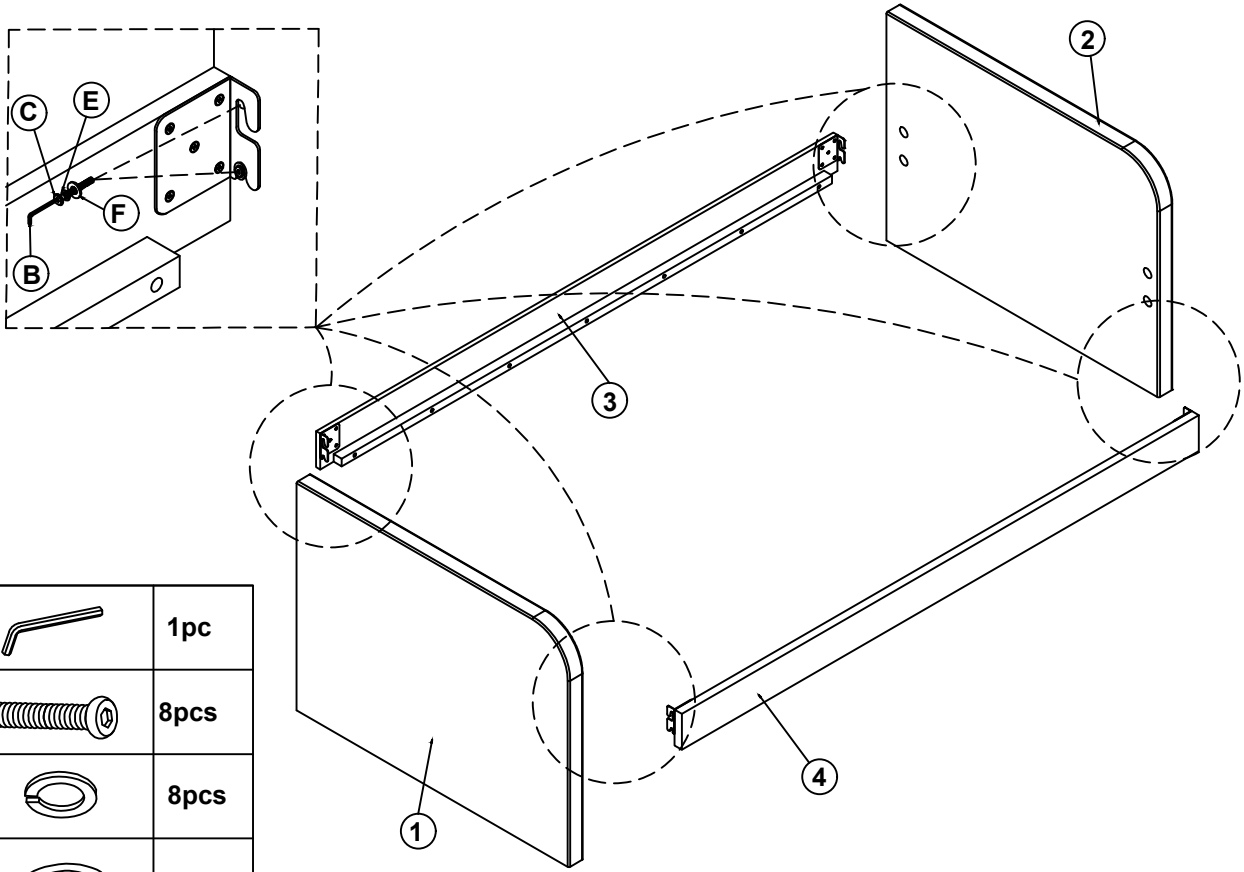
<p><b>1</b></p>  <p>Left Bed Panel (1 pc)</p>	<p><b>2</b></p>  <p>Right Bed Panel (1 pc)</p>
--	---





<p><b>3</b></p>  <p>Left Upper Rail (1 pc)</p>	<p><b>4</b></p>  <p>Right Upper Rail (1 pc)</p>	<p><b>5</b></p>  <p>Front Panel Trundle (1 pc)</p>
<p><b>6</b></p>  <p>Back Panel Trundle (1 pc)</p>	<p><b>7</b></p>  <p>Headboard Panel (1 pc)</p>	<p><b>8</b></p>  <p>(985mmx60mm x15mm) Roll Slat (20 pcs)</p>
<p><b>9</b></p>  <p>Leg (4 pcs)</p>		

<p><b>A</b></p>  <p>(<math>\varnothing</math> 5/16 "X45mm) Long Bolt (4 pcs)</p>	<p><b>B</b></p>  <p>(M4x75mm x32mm) Allen Wrench (1 pc)</p>	<p><b>C</b></p>  <p>(<math>\varnothing</math> 5/16 "X20mm) Short Bolt (8 pcs)</p>
<p><b>D</b></p>  <p>(m4x30mm-RBW) Flat Head Screw (40 pcs)</p>	<p><b>E</b></p>  <p>(<math>\varnothing</math> 5/16 "-RBW) Spring Washer (12 pcs)</p>	<p><b>F</b></p>  <p>(<math>\varnothing</math> 5/16 "-RBW) Flat Washer (12 pcs)</p>
<p><b>G</b></p>  <p>(m4x15mm-RBW) Flat Head Screw (40 pcs)</p>	<p><b>H</b></p>  <p>(38mmx38mmx25mmx2mm) Square Patch (4 pcs)</p>	<p><b>I</b></p>  <p>(m59x42mmx66mm) Wheels (4 pcs)</p>

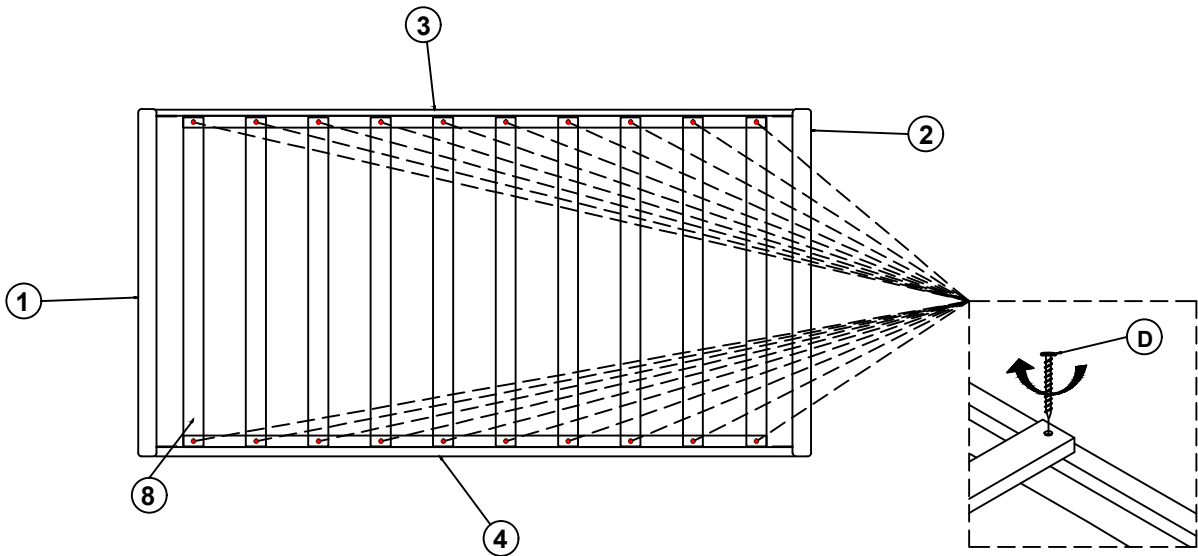
# ASSEMBLY INSTRUCTIONS

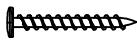
## STEP 1



<b>B</b>	<b>Allen Wrench</b> (M5x75mm x32mm)		<b>1pc</b>
<b>C</b>	<b>Bolt</b> (Ø 5/16 "x20mm)		<b>8pcs</b>
<b>E</b>	<b>Spring Washer</b> (Ø 5/16 "-RBW)		<b>8pcs</b>
<b>F</b>	<b>Flat Washer</b> (Ø 5/16 "-RBW)		<b>8pcs</b>

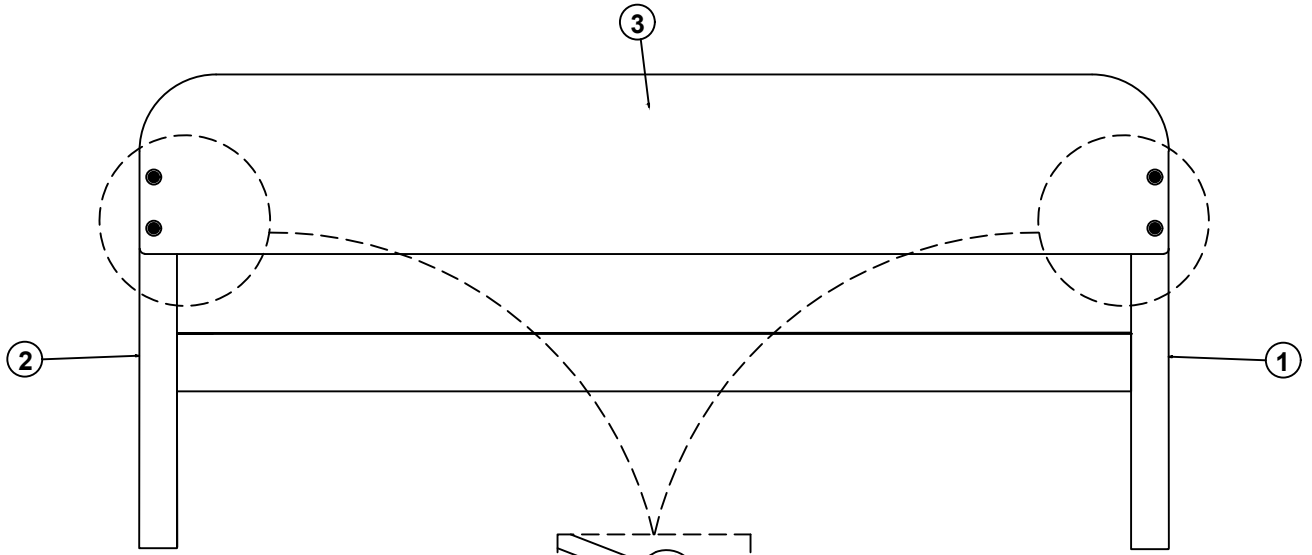
## STEP 2







<b>D</b>	<b>Flat Head Screw</b> (m4x30mm-RBW)		<b>20pcs</b>
----------	---	---	--------------

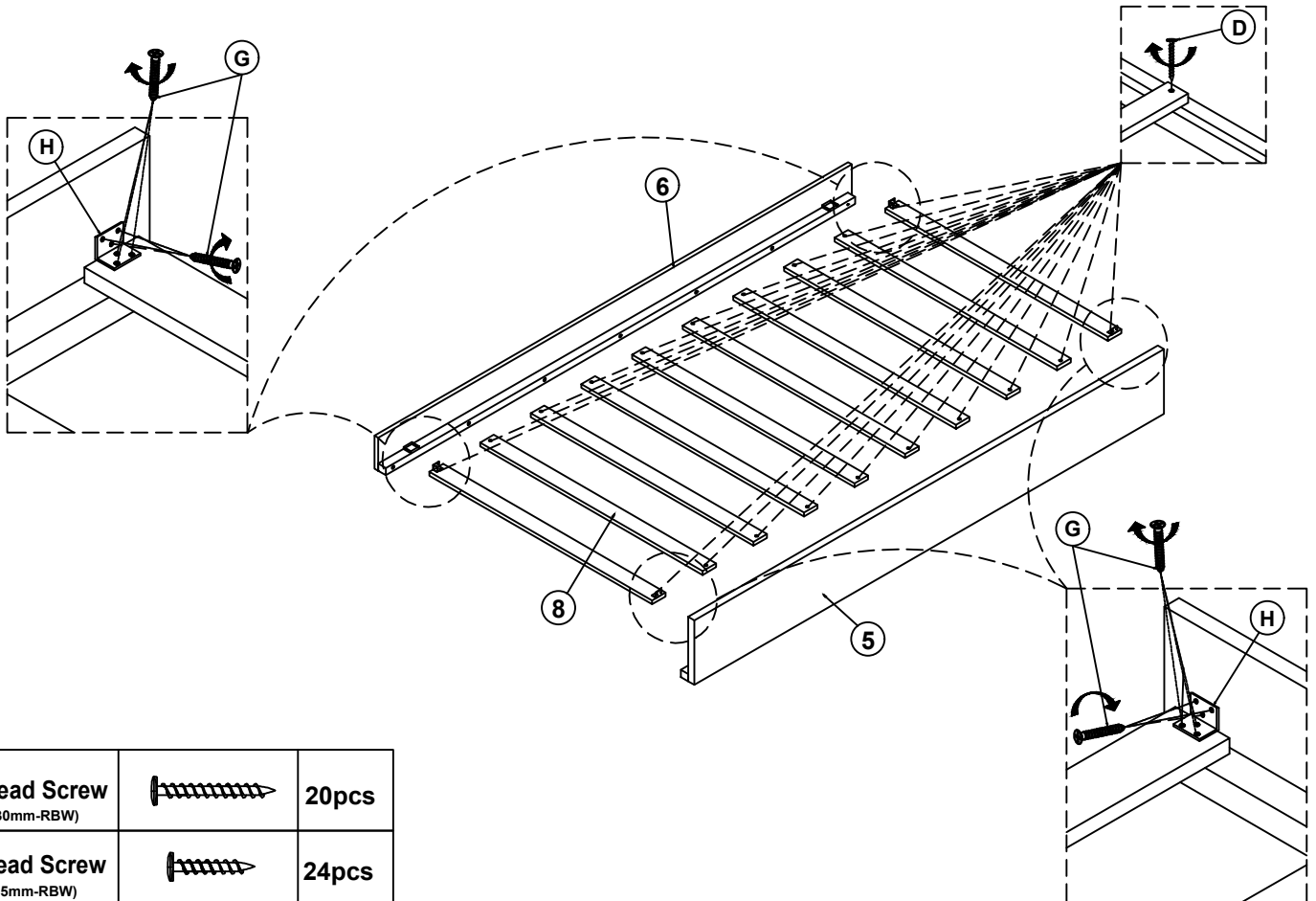
# ASSEMBLY INSTRUCTIONS

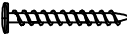
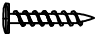

## STEP 3



A	<b>Bolt</b> (Ø 5/16" x 45mm)		4pcs
B	<b>Allen Wrench</b> (M4x75mm x 32mm)		1pc
E	<b>Spring Washer</b> (Ø 5/16" -RBW)		4pcs
F	<b>Flat Washer</b> (Ø 5/16" -RBW)		4pcs

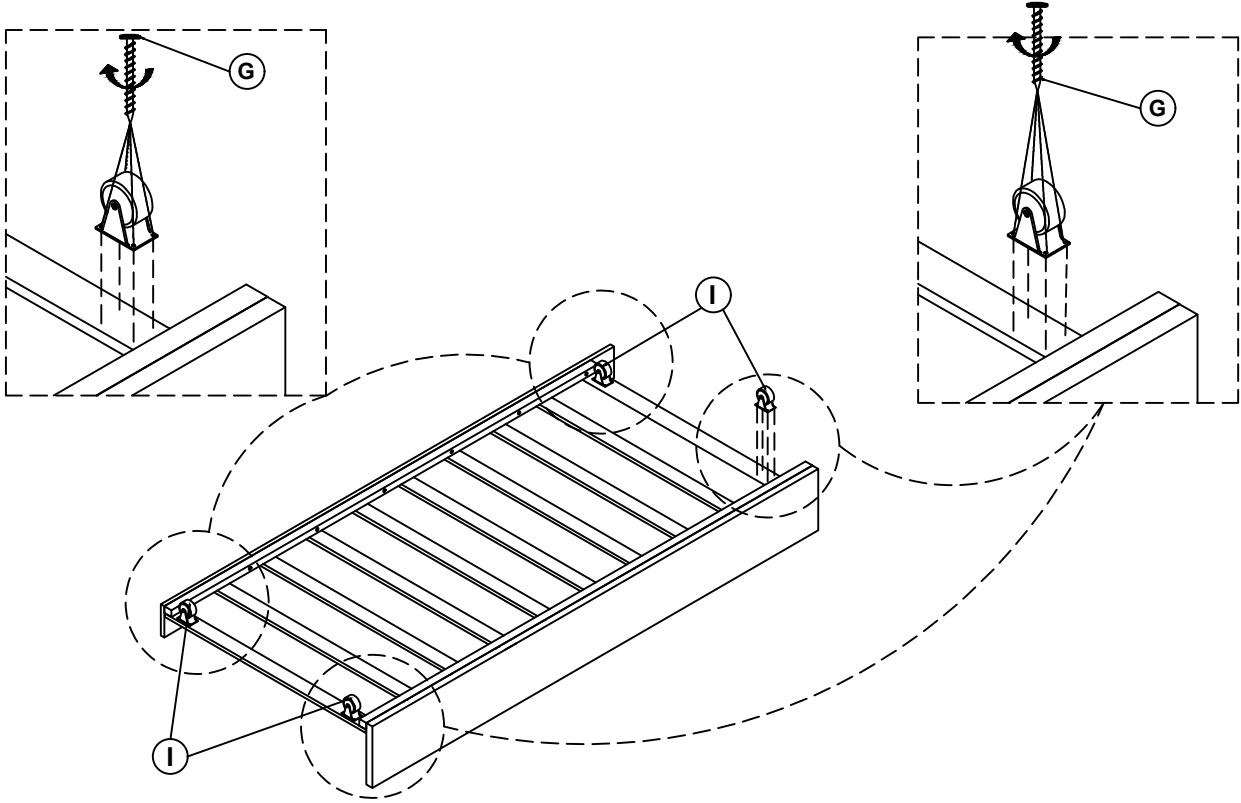
## STEP 4

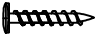



D	<b>Flat Head Screw</b> (m4x30mm -RBW)		20pcs
G	<b>Flat Head Screw</b> (m4x15mm -RBW)		24pcs
H	<b>Square Patch</b> (38mmx38mmx25mmx2mm)		4pcs

# ASSEMBLY INSTRUCTIONS

## STEP 5



<b>G</b>	<b>Flat Head Screw</b> (m4x15mm-RBW)		<b>16pcs</b>
<b>I</b>	<b>Wheels</b> (m59x42mmx66mm)		<b>4pcs</b>

## STEP 6 COMPLETE

