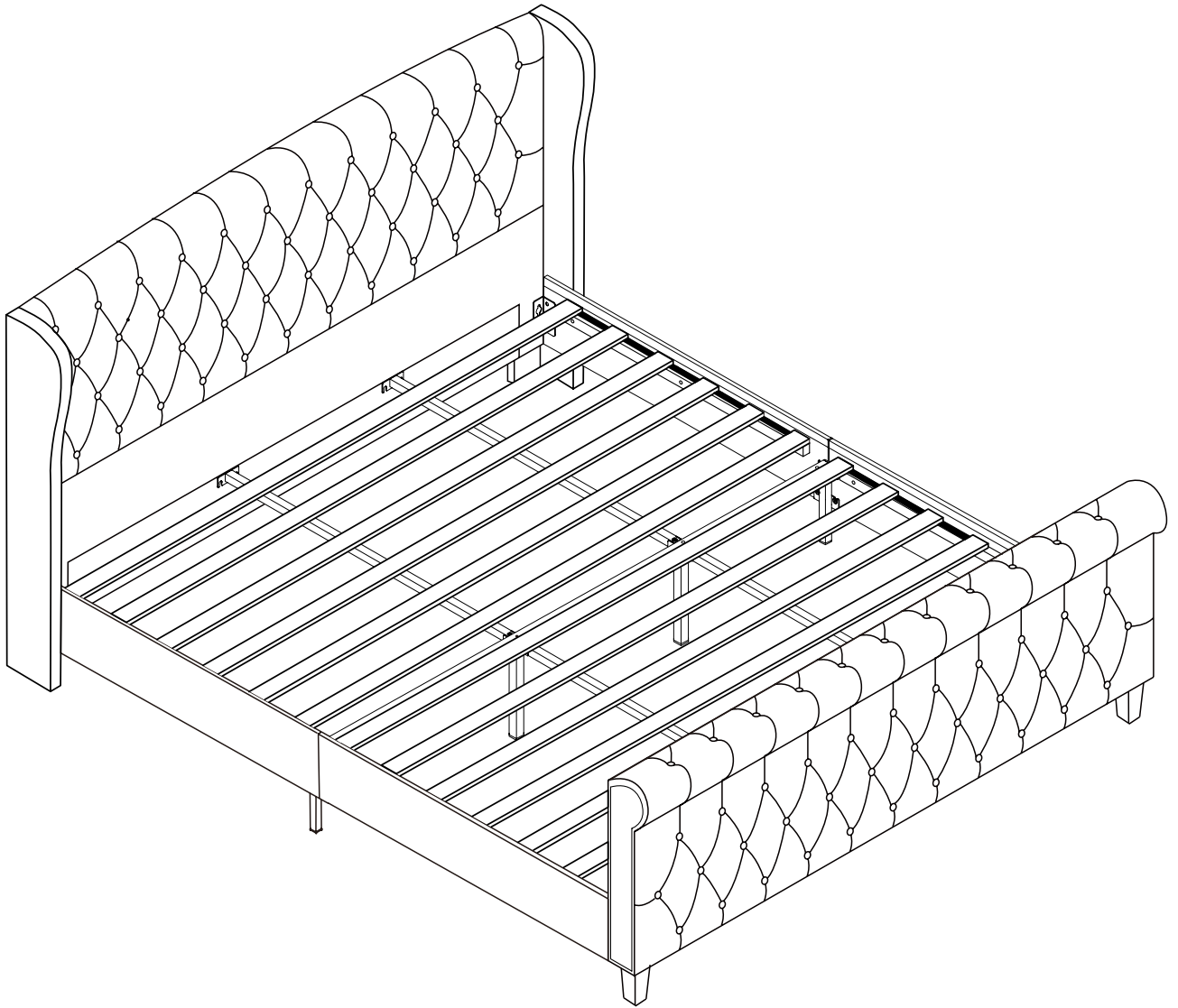


# Assembly Instructions

If any missing boxes, damaged parts, or accessory shortages, please contact the customer service team of your purchasing channel immediately. We will resolve the issue as quickly as possible.



Please include the following information for faster assistance:

- Order number
- Purchase platform
- Purchase date
- Detailed description of the issue along with photos



# BEFORE INSTALLATION

Thank you for choosing our product! To ensure a smooth installation process, please read this guide carefully to familiarize yourself with the required tools, materials, and steps. Follow the relevant sections to avoid any issues caused by improper installation. Be sure to review all operational and safety instructions to understand the correct installation procedures.

## Installation Guidelines

- This guide is based on the most current product information at the time of printing. We reserve the right to make changes to product features, packaging, or availability without prior notice.
- Ensure that all necessary electrical or environmental preparations are completed before assembling the product.
- This manual contains important instructions for installation, cleaning, and maintenance. Please read and keep it for future reference.

## Pre-Installation Checklist

1. Inspect the Product  
Before installation, carefully check the product for any damage or defects.
2. Ensure a Stable Installation Surface  
Install the bed on a clean, flat surface to maintain stability and balance.
3. Avoid Unfavorable Environments  
Avoid placing the bed in damp areas or areas exposed to prolonged direct sunlight.
4. Protect During Installation  
Handle the product with care during installation, using protective materials (such as soft cloths) to prevent scratches.
5. Contact for Assistance  
If you have any questions or require technical support, refer to the customer service contact information provided in this guide.

## Usage and Maintenance Recommendations

1. Regular Cleaning  
Clean the product regularly to maintain hygiene and prevent bacterial growth. Use a damp cloth that has been wrung out to avoid surface scratches.
2. Prevent Corrosion  
Avoid contact with acidic or alkaline substances.
3. Use Authorized Replacement Parts Only  
Do not use unauthorized replacement parts. If replacement is necessary, contact the manufacturer or an authorized dealer.
4. Cleaning Precautions  
Do not machine wash or rinse any part of the product with water.



# SAFETY WARNINGS

1. Follow Warning Labels  
Do not remove warning labels from the product or packaging. Always adhere to the displayed safety instructions.
2. Regular Inspections  
Regularly check all components of the product to ensure they are correctly installed, undamaged, and securely fastened.
3. Safe Usage  
Do not play, jump, or engage in activities on or under the bed that could cause injury or damage.
4. Rope Hazards  
Do not attach ropes, hooks, straps, or any other non-designated items to any part of the bed.
5. Retain this Manual  
Keep this manual in a safe place for future reference.
6. Shared Responsibility  
Safety is a shared responsibility between the manufacturer and the user. Please ensure all safety precautions are followed during use.

## Disclaimer

We are committed to providing safe and reliable products to our customers. Should you have any questions or require further support, please do not hesitate to contact our customer service team.

## Hardware and Parts List Guidelines

### 1. Check All Parts

- Ensure all components are included before assembly.
- Contact customer service if any parts are missing or damaged.

### 2. Organize Before Assembly

- Lay out all panels and hardware for easy identification.
- Keep small parts grouped to prevent loss.

### 3. Use Correct Hardware

- Follow the instructions carefully to use the specified screws and fasteners.
- Avoid using substitute parts to ensure stability.

### 4. Tightening Instructions

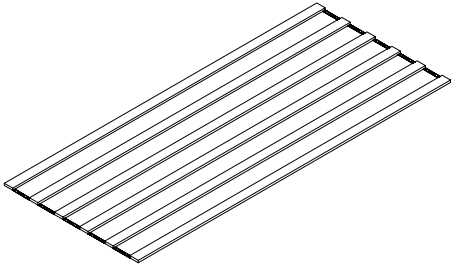
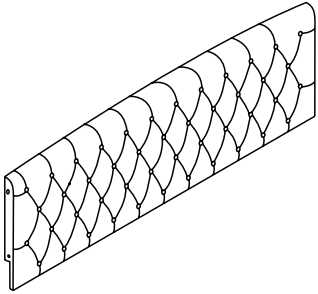
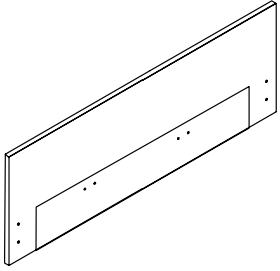



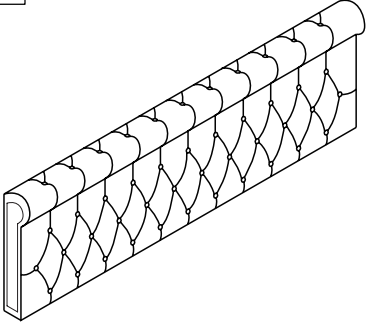
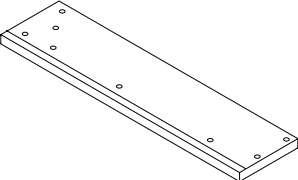
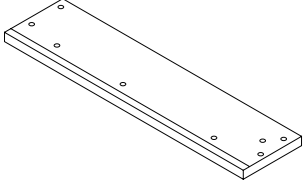
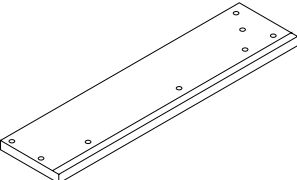
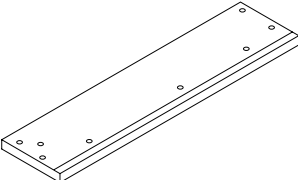
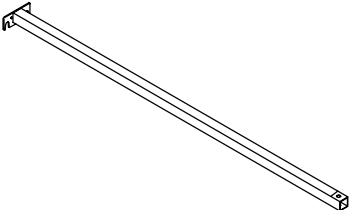
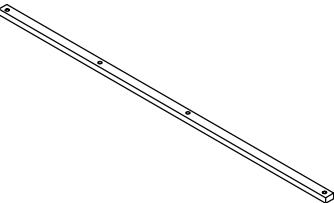
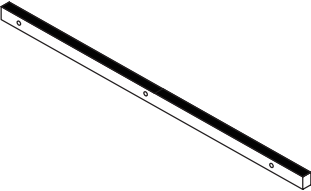
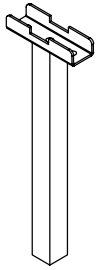
- Partially tighten screws first, then fully secure once aligned.
- Tighten evenly for a stable structure.

### 5. Safety Reminder

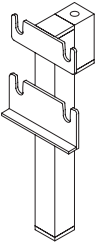
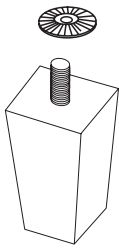
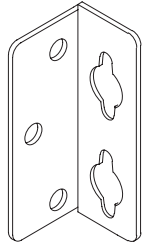
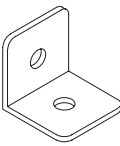
- Handle small parts carefully and keep them away from children.

Once confirmed, proceed with assembly as instructed.

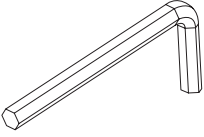
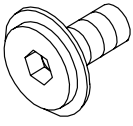
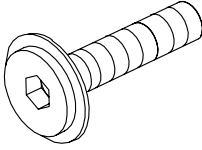
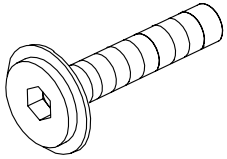
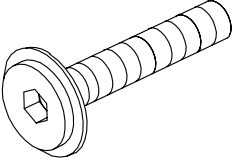
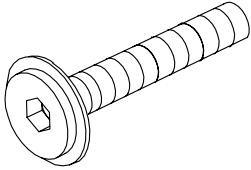
# Hardware and Parts List Guidelines

<b>B</b> 2PCS 	<b>C1</b> 1PC 	<b>C2</b> 1PC 
<b>D1</b> 1PC  <p style="text-align: center;">Left Leg</p>	<b>D2</b> 1PC  <p style="text-align: center;">Right Leg</p>	<b>D3</b> 2PCS 
<b>E</b> 1PC 	<b>F1</b> 1PC 	<b>F2</b> 1PC 
<b>F3</b> 1PC 	<b>F4</b> 1PC 	<b>G</b> 4PCS 
<b>H</b> 1PC 	<b>I</b> 4PCS 	<b>J</b> 2PCS 

# The Box 1

<p>K</p>  <p>2PCS</p>	<p>M</p>  <p>2PCS</p>	<p>N1</p>  <p>4PCS</p>
<p>N2</p>  <p>2PCS</p>		

## The Box 1 (Inside the Box 1)

a	1PC	b	38PCS	c	26PCS	d	4PCS
			M8*18		M8*40		M8*50
e	2PCS	f	2PCS				
	M8*65		M8*80				

## Fittings

Please confirm that you have all the fittings listed below before starting assembly.

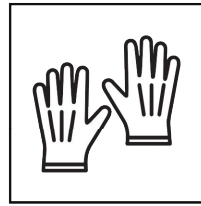
Note: The quantities provided are sufficient to complete the assembly. In some cases, extra fittings may be included for convenience.

For missing boxes, damaged parts, or missing accessories, contact customer service immediately for assistance.

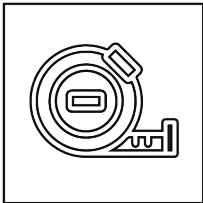
## TOOLS & EQUIPMENT



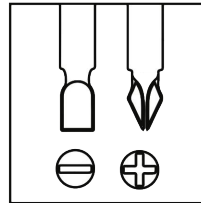
2 people needed



Work gloves



Tape measure



Other Tools Required  
*.Phillips Screwdriver*  
(Not Included)

## SIMPLE ASSEMBLY STEPS

1. Carefully read the manual to ensure you understand all steps.
2. Check all parts and hardware to confirm everything is included.
3. Prepare necessary tools, such as a screwdriver and rubber mallet.
4. Ensure at least two adults participate in the assembly process for safety and efficiency.

### Precautions:

1. Assemble on a flat surface to ensure product stability and balance.
2. During assembly, do not fully tighten all screws immediately. Adjust to the optimal position before fully securing them.
3. To protect the product and your floor, use protective materials (e.g., towels or tissue paper).

To make the assembly process easier and smoother, it is recommended to complete it with two or more adults.

### Important:

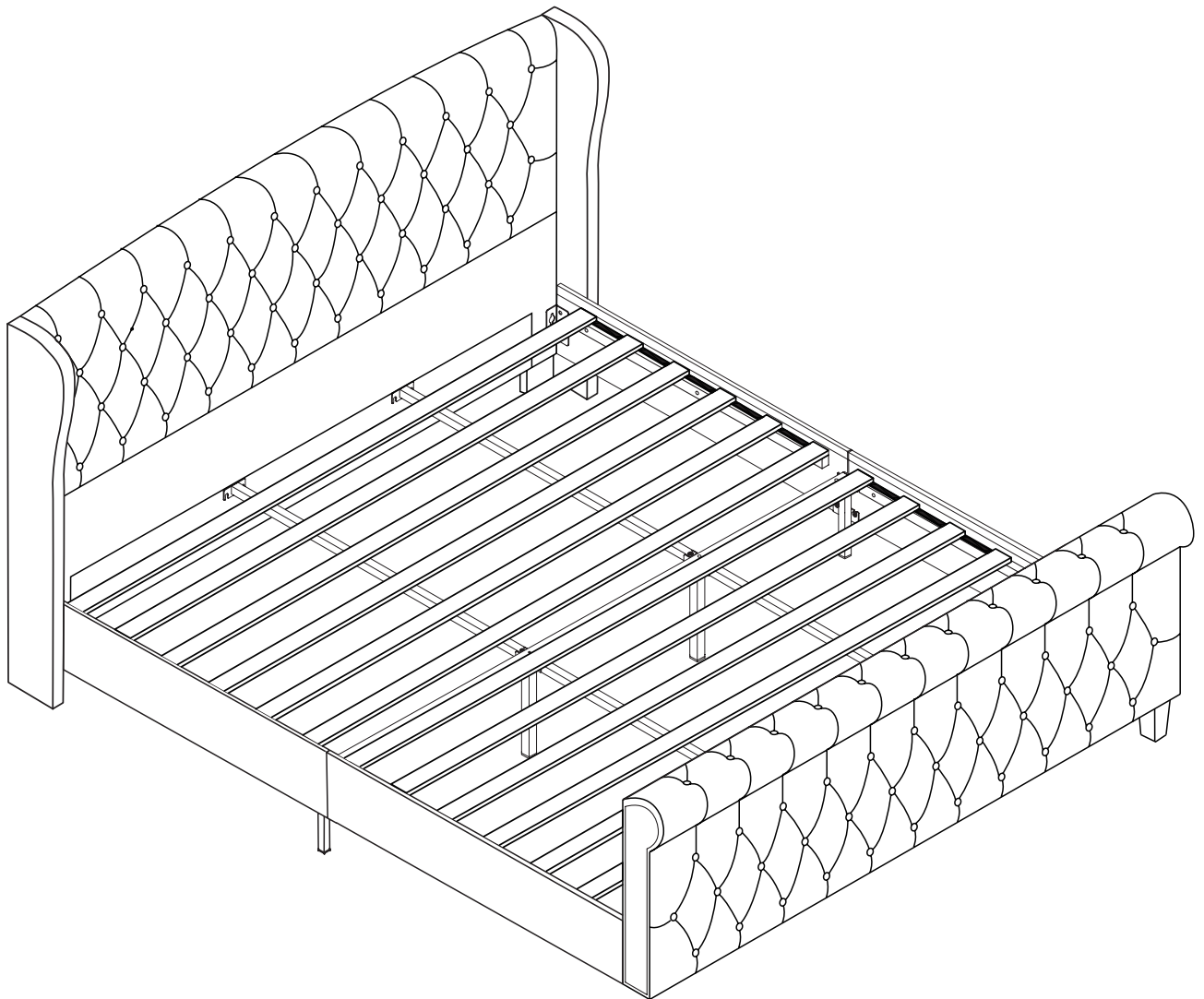
Before starting assembly, thoroughly read the instructions to ensure the process is performed correctly.

## BED FRAME

Assembly Instructions - Please Keep for Future Reference

Important:

Before starting assembly, thoroughly read the instructions to ensure the process is performed correctly.



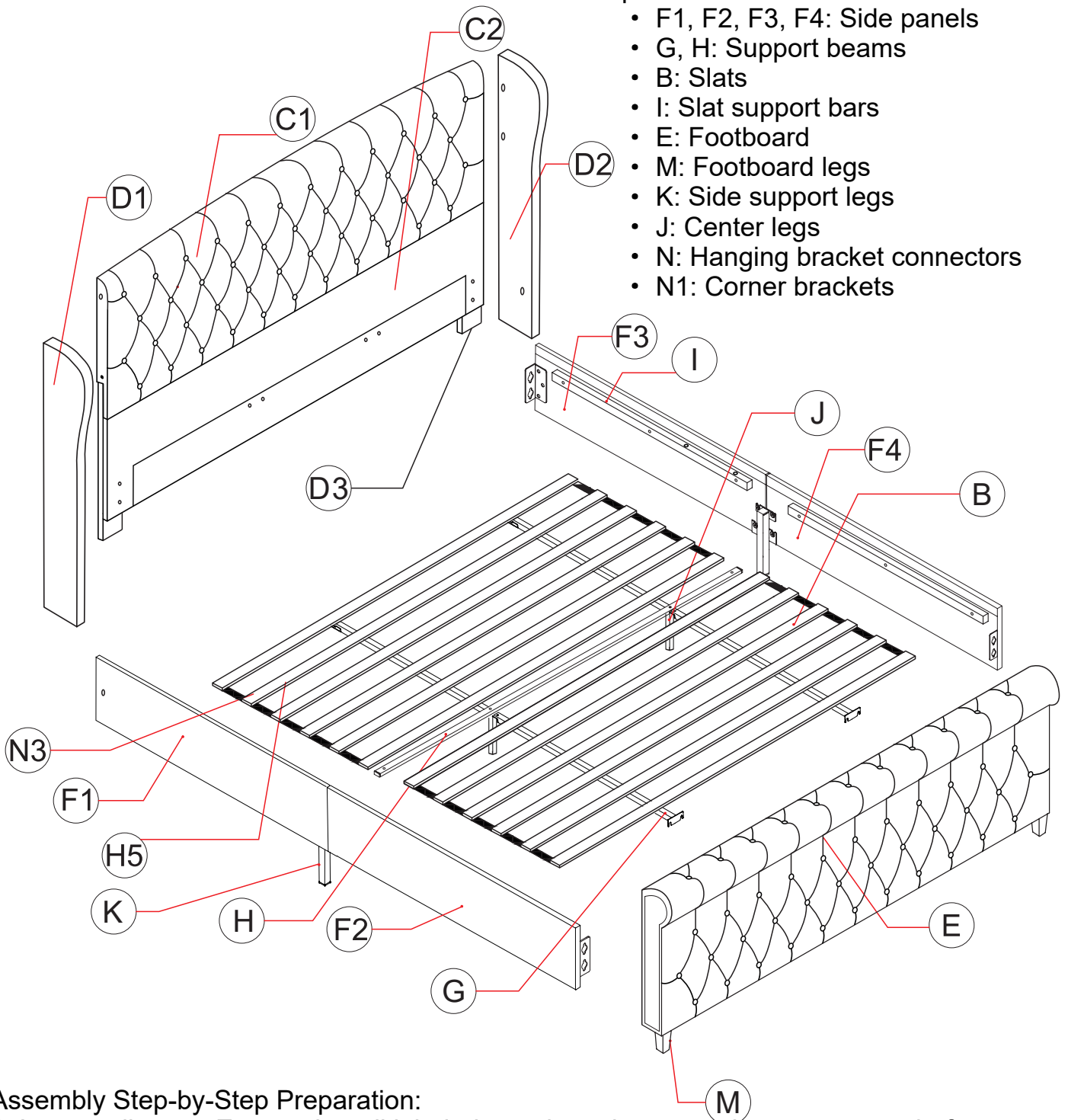
- Order number
- Purchase platform
- Purchase date
- Detailed description of the issue along with photos

# Bed Frame Assembly Guide

## Components Overview:

Ensure that all panels and accessories (as shown in the diagram) are located and prepared for assembly. The parts are labeled as follows:

- C1, C2, D1, D2, D3: Headboard panels
- F1, F2, F3, F4: Side panels
- G, H: Support beams
- B: Slats
- I: Slat support bars
- E: Footboard
- M: Footboard legs
- K: Side support legs
- J: Center legs
- N: Hanging bracket connectors
- N1: Corner brackets





## Assembly Step-by-Step Preparation:

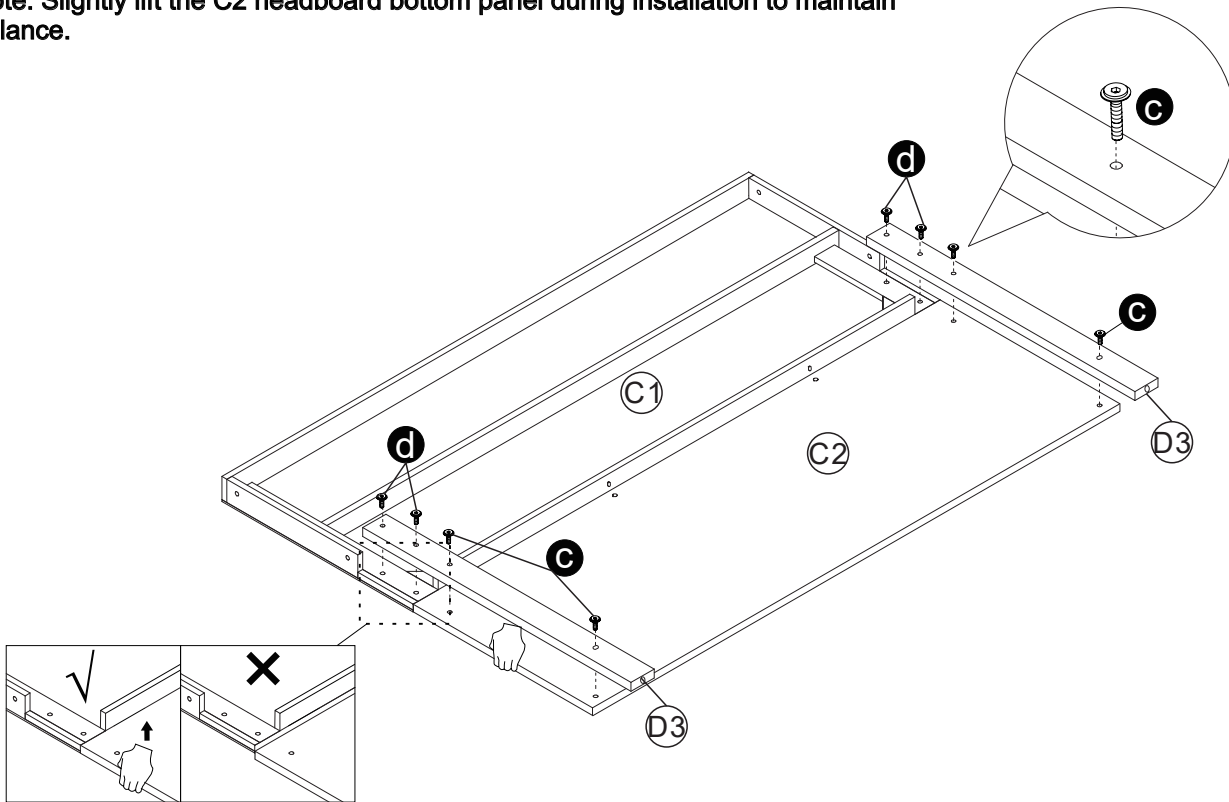
1. Locate all parts: Ensure that all labeled panels and accessories are present before starting assembly.
2. Prepare all necessary hardware: Check for screws and other connecting components.
3. Organize components: Lay out the panels according to the assembly diagram to ensure easy access during assembly.

Once all parts are ready, proceed with the assembly steps outlined in the instruction manual.

# step1

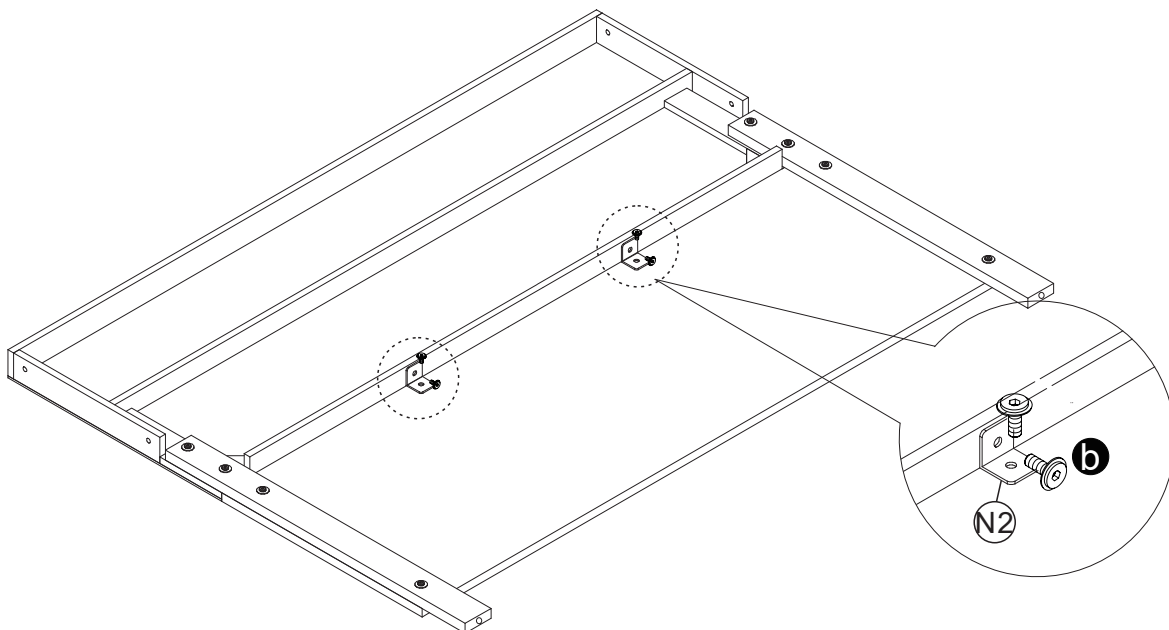
c	 M8*40	4PCS
d	 M8*50	4PCS

Align the C1 headboard top panel with the C2 headboard bottom panel and install the D3 headboard legs, securing with D screws.  
**Note: Slightly lift the C2 headboard bottom panel during installation to maintain balance.**



# step2

b	 M8*18	4PCS
---	--	------



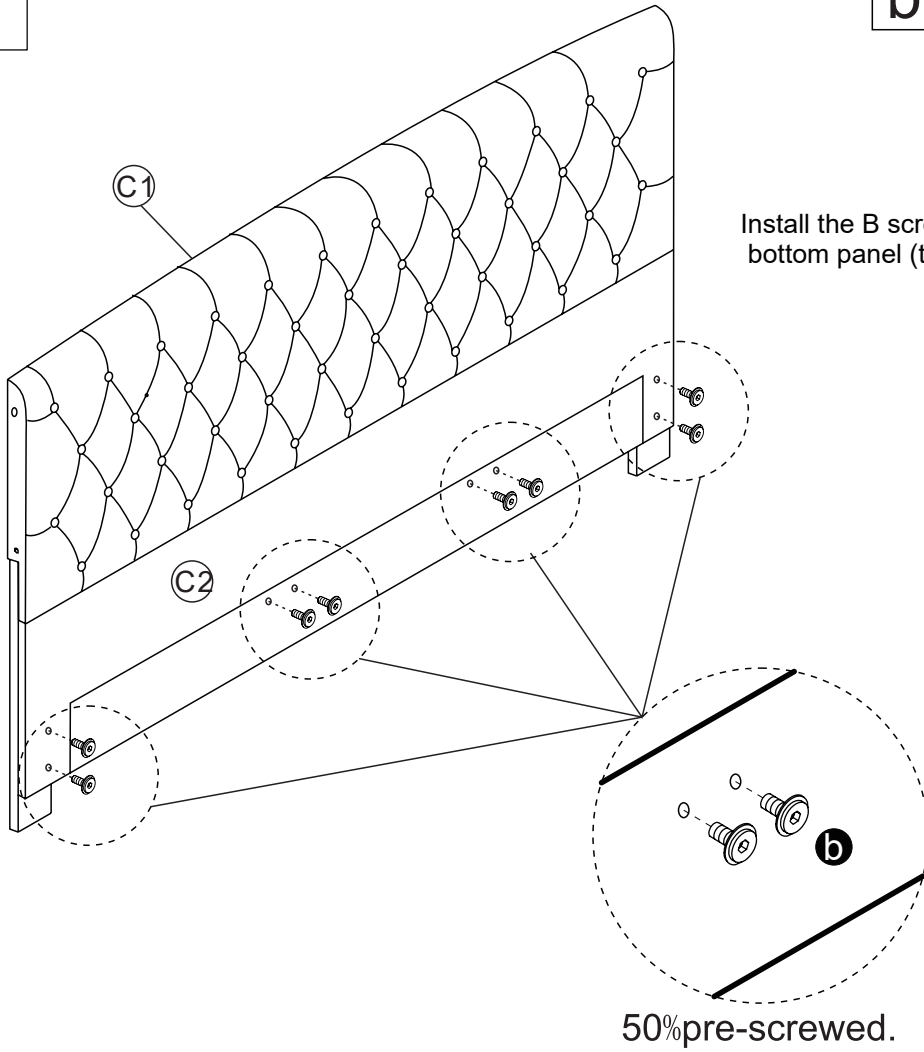
Install the N1 corner brackets at the junction between the C1 headboard top panel and the C2 headboard bottom panel, securing with B screws.

# step3

**b**



8PCS

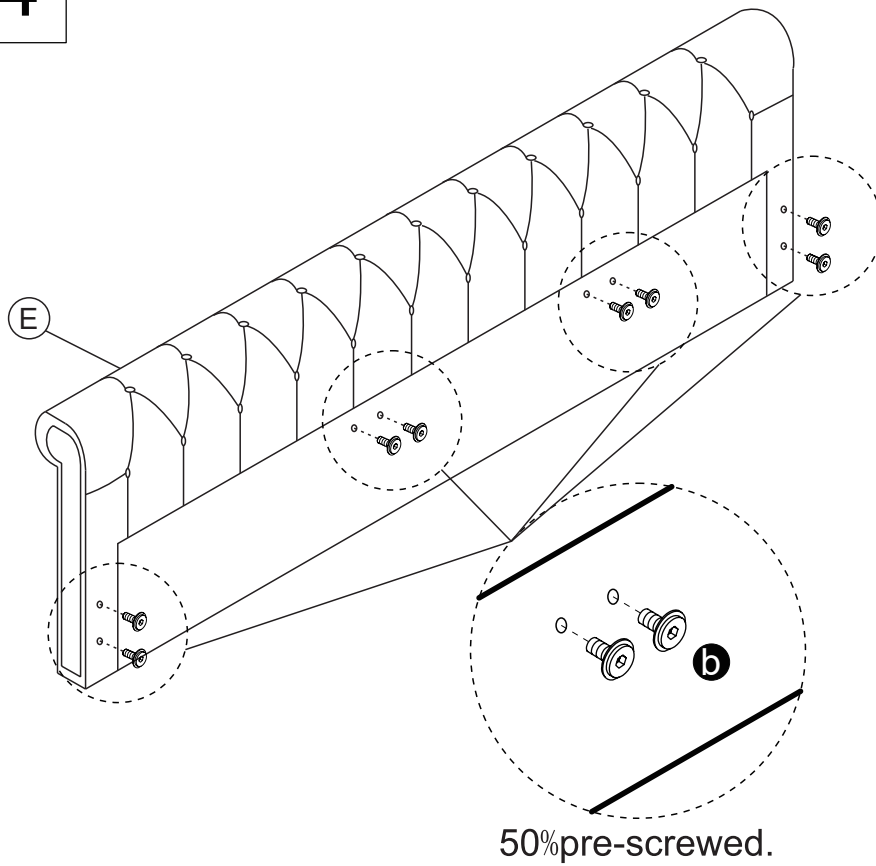


# step4

**b**

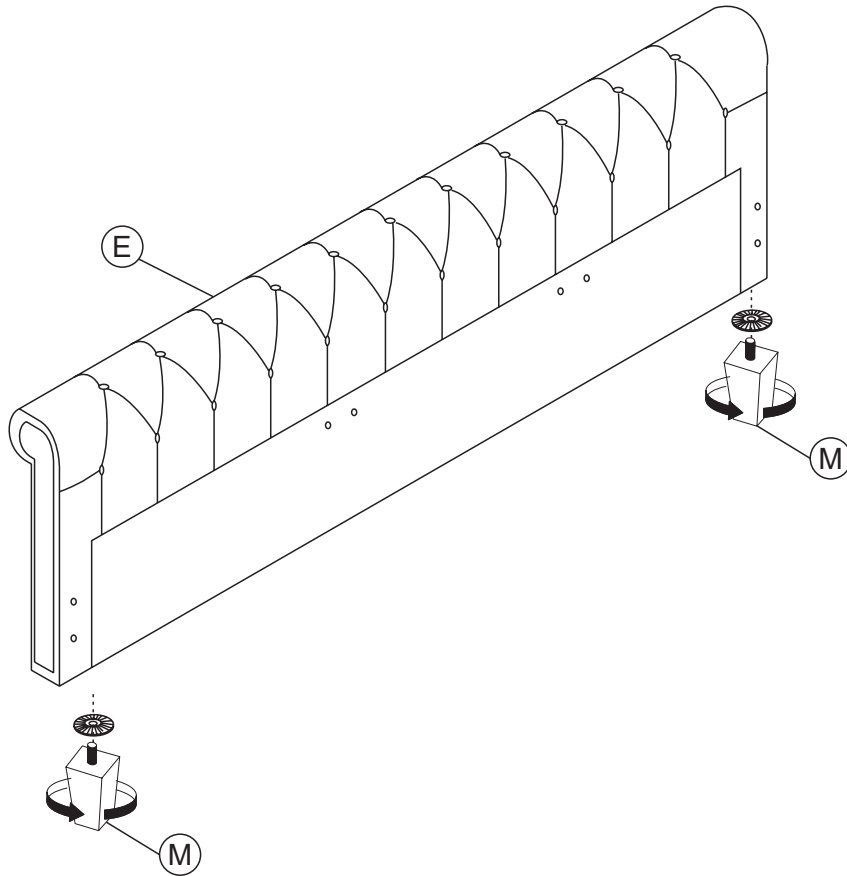


8PCS



Install the B screws on the E footboard panel (tighten to 50%).

## step5



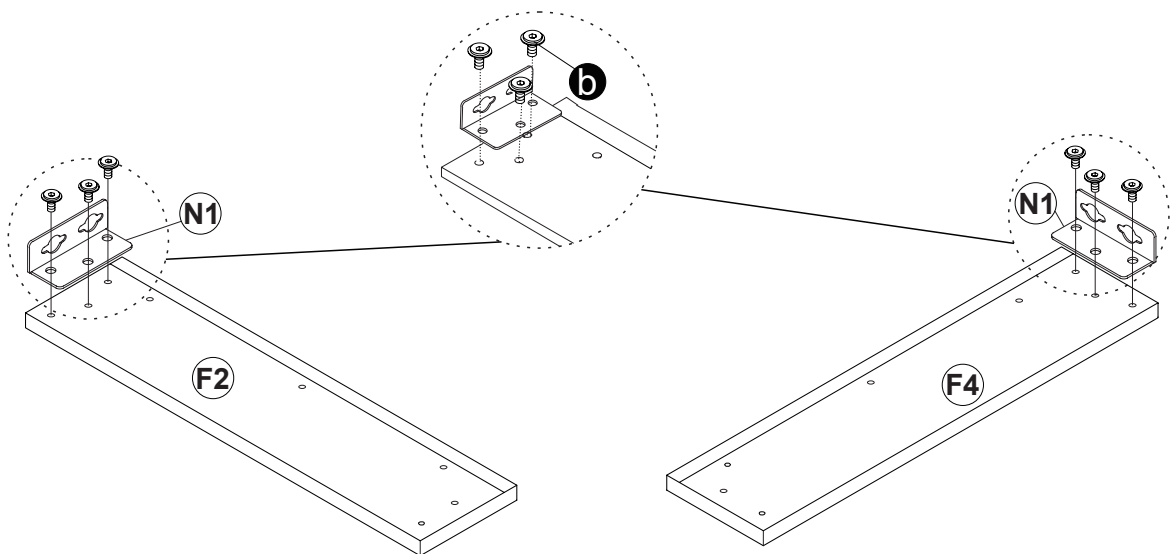
Install the M footboard legs at the bottom of the E footboard panel.

## step6

**b**

M8\*18

6PCS



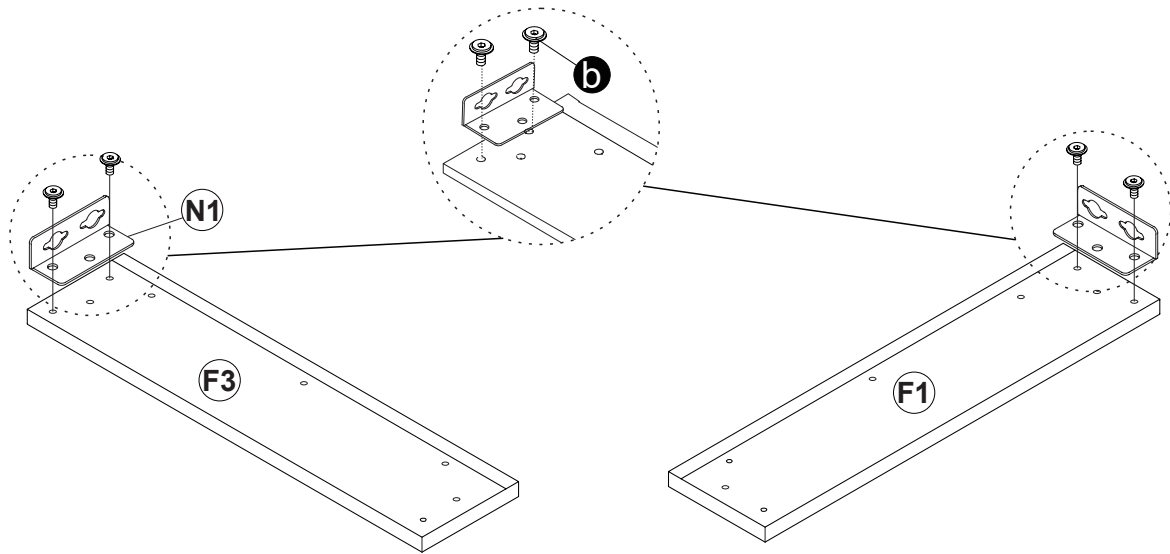
Install the N hanging bracket connectors onto the F2 and F4 side panels, and secure them with B screws.

# step7

**b**

M8\*18

4PCS



Install two N hanging bracket connectors onto the F3 and F1 side panels using B screws.

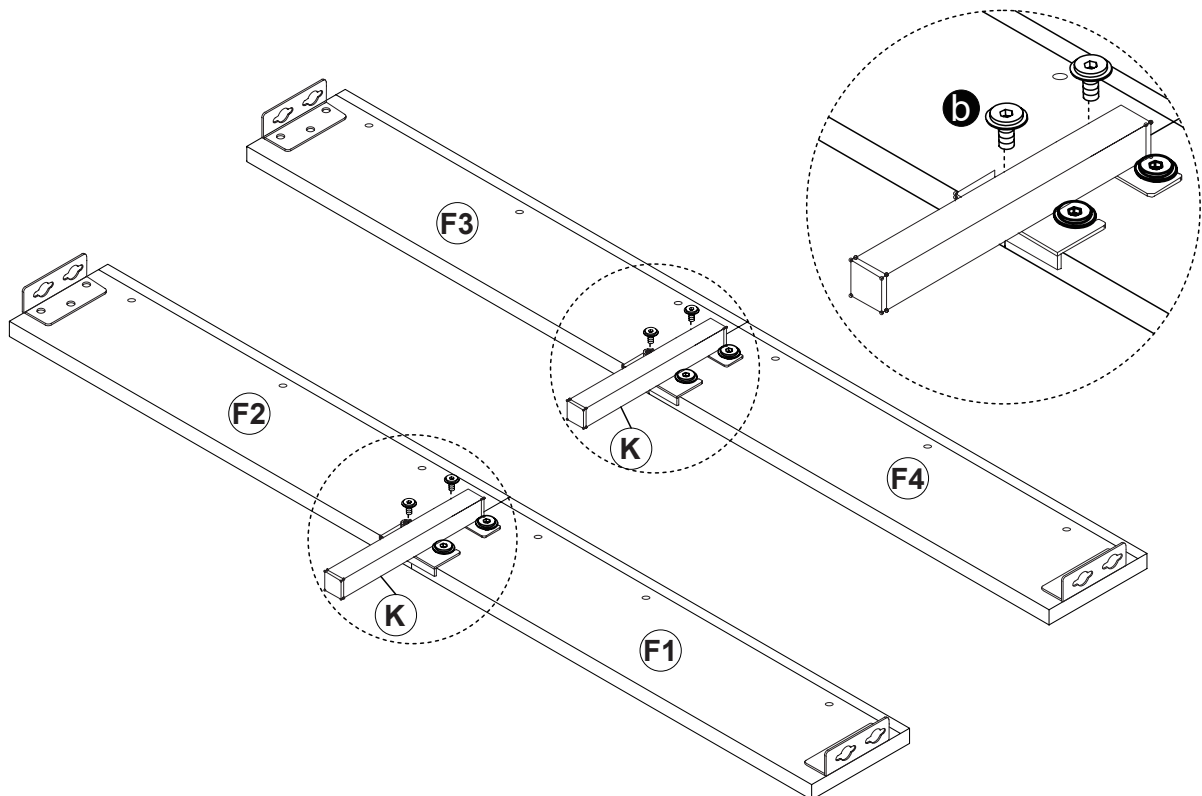
**Note:** Only install screws in the outer holes of the N connectors, do not screw into the middle hole.

# step8

**b**

M8\*18

8PCS



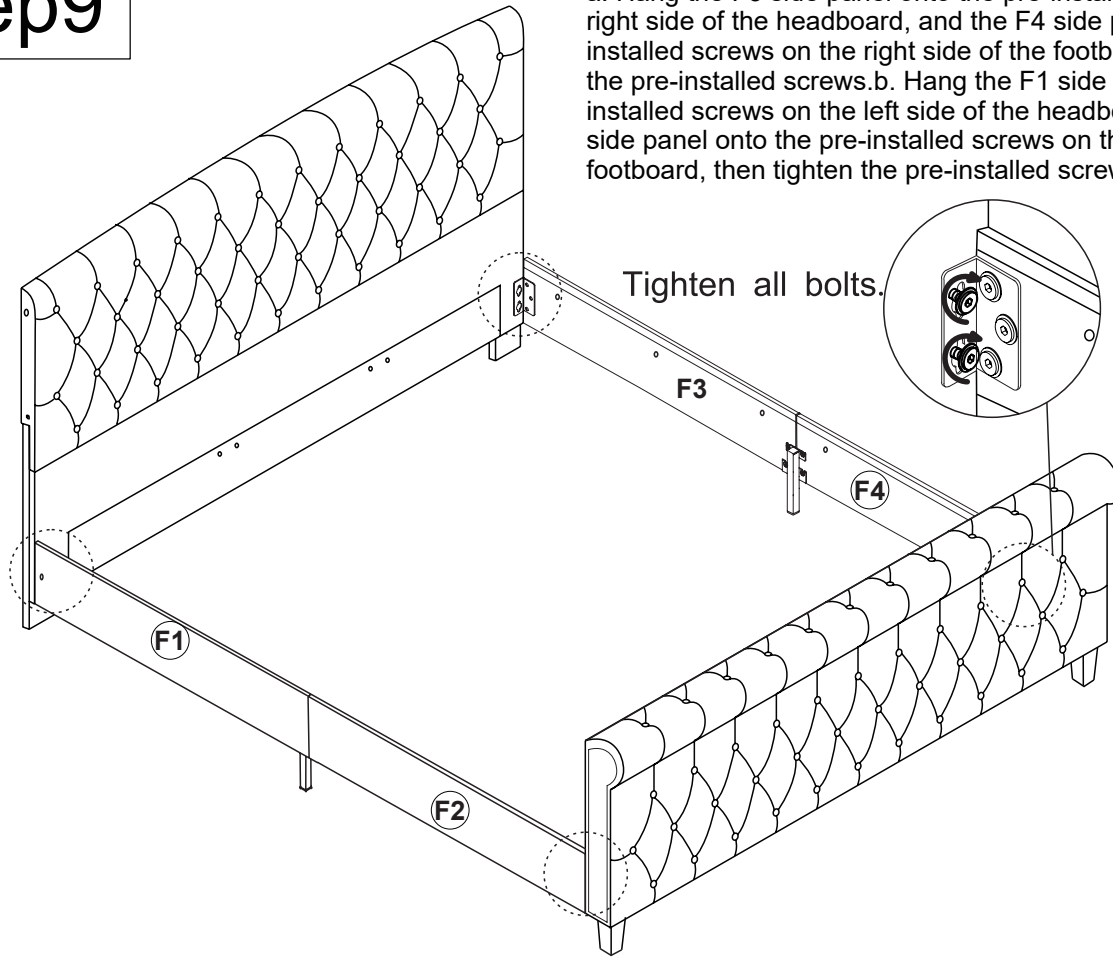
a. Connect the F1 side panel and F2 side panel with the K side support legs, securing with B screws.

b. Connect the F3 side panel and F4 side panel with the K side support legs, securing with B screws.

**Note:** The hole positions on the K side support legs are opposite to those on the F1, F2, F3, and F4 side panels.




# step9

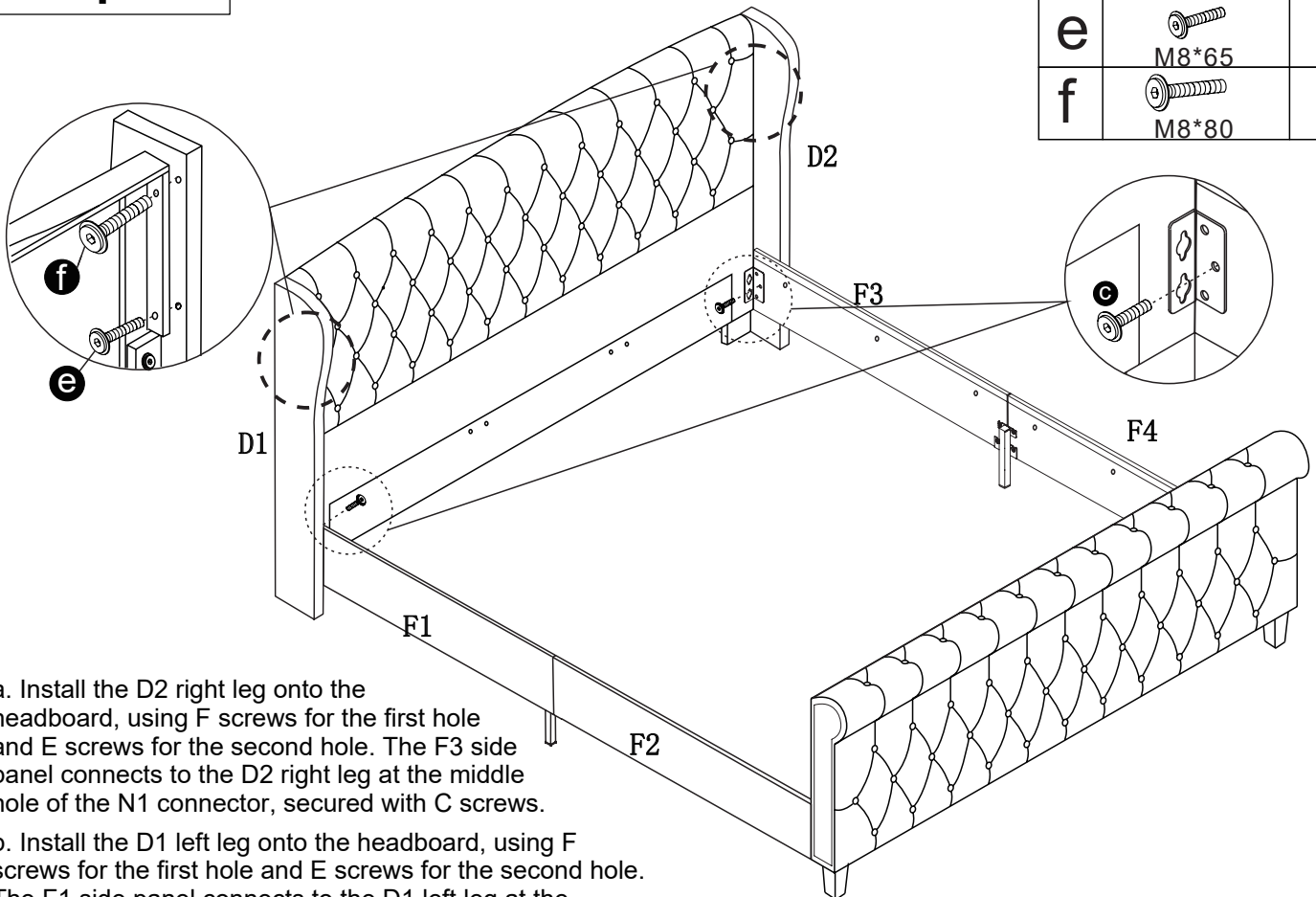
a. Hang the F3 side panel onto the pre-installed screws on the right side of the headboard, and the F4 side panel onto the pre-installed screws on the right side of the footboard, then tighten the pre-installed screws. b. Hang the F1 side panel onto the pre-installed screws on the left side of the headboard, and the F2 side panel onto the pre-installed screws on the left side of the footboard, then tighten the pre-installed screws.



# step10

During the assembly, please first half-tighten all the screws into the holes. After all the screws are set, fully tighten them

<b>c</b>	 M8*40	2PCS
<b>e</b>	 M8*65	2PCS
<b>f</b>	 M8*80	2PCS



a. Install the D2 right leg onto the headboard, using F screws for the first hole and E screws for the second hole. The F3 side panel connects to the D2 right leg at the middle hole of the N1 connector, secured with C screws.

b. Install the D1 left leg onto the headboard, using F screws for the first hole and E screws for the second hole. The F1 side panel connects to the D1 left leg at the middle hole of the N1 connector, secured with C screws.

# step 11

C

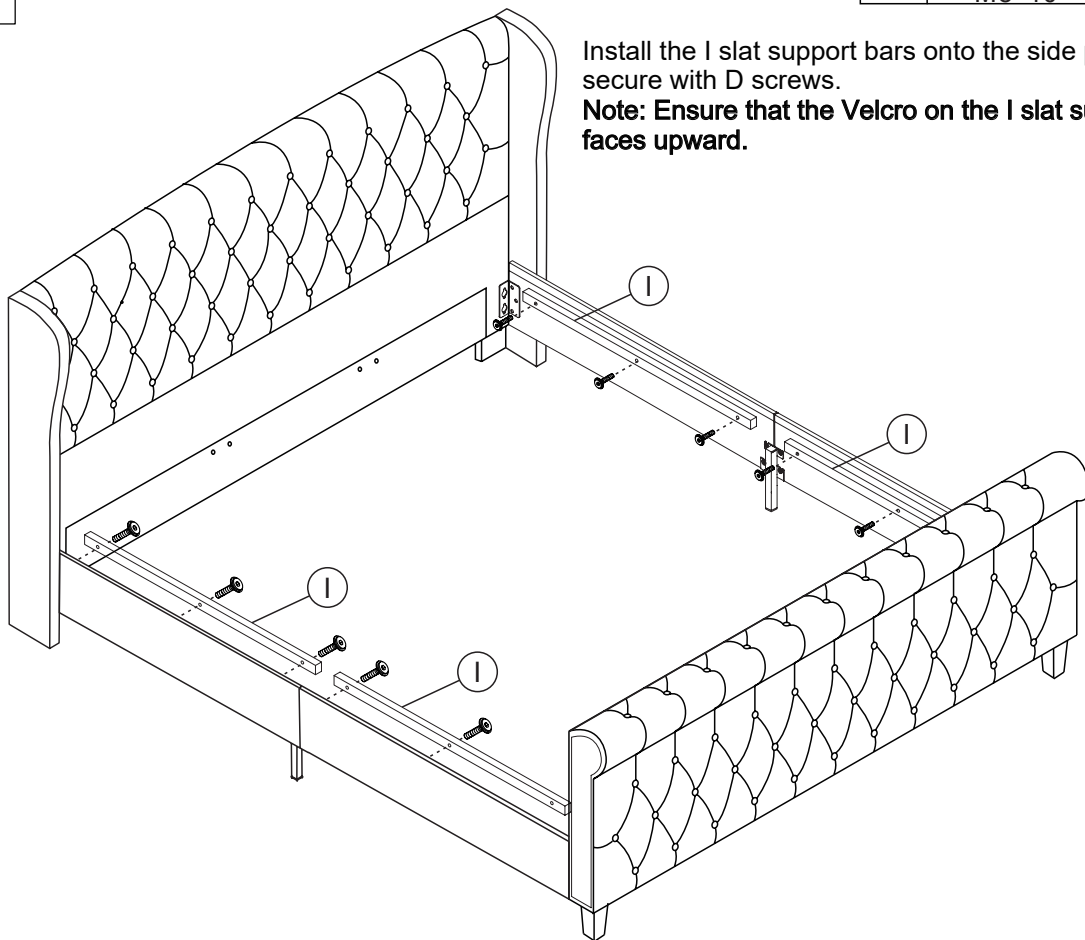


M8\*40

12PCS

Install the I slat support bars onto the side panels and secure with D screws.

**Note:** Ensure that the Velcro on the I slat support bars faces upward.



# step 12

C

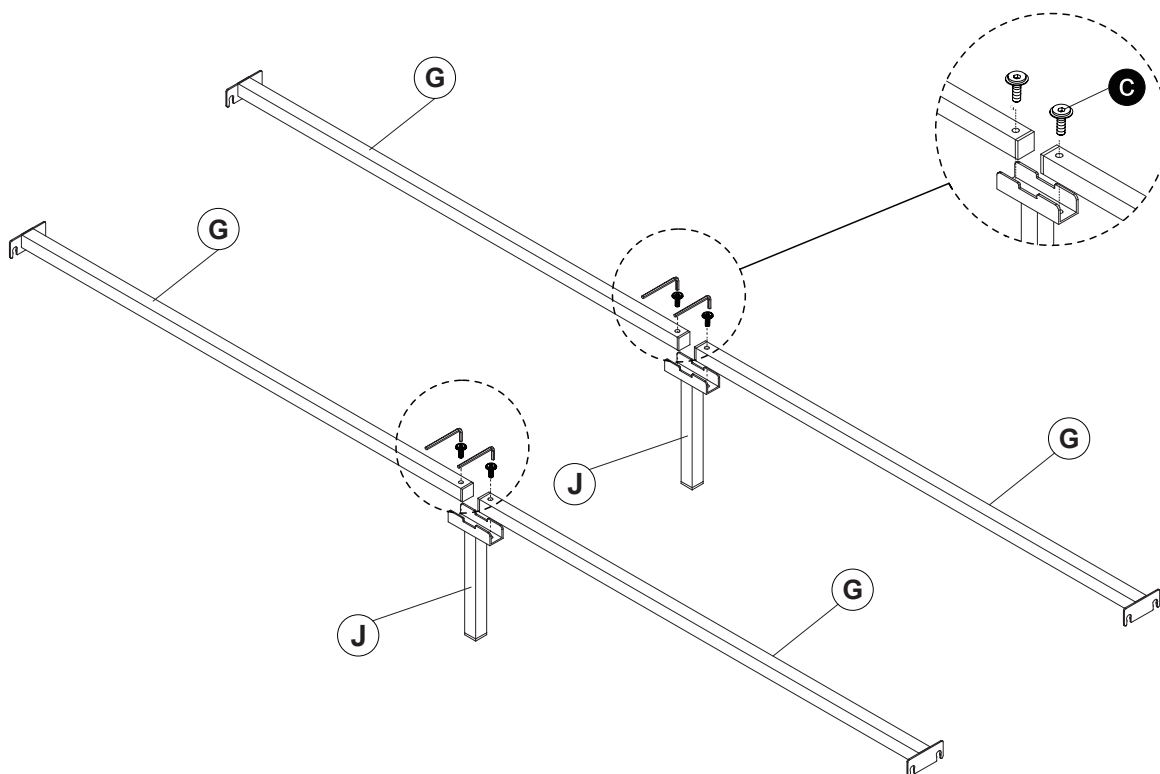


M8\*40

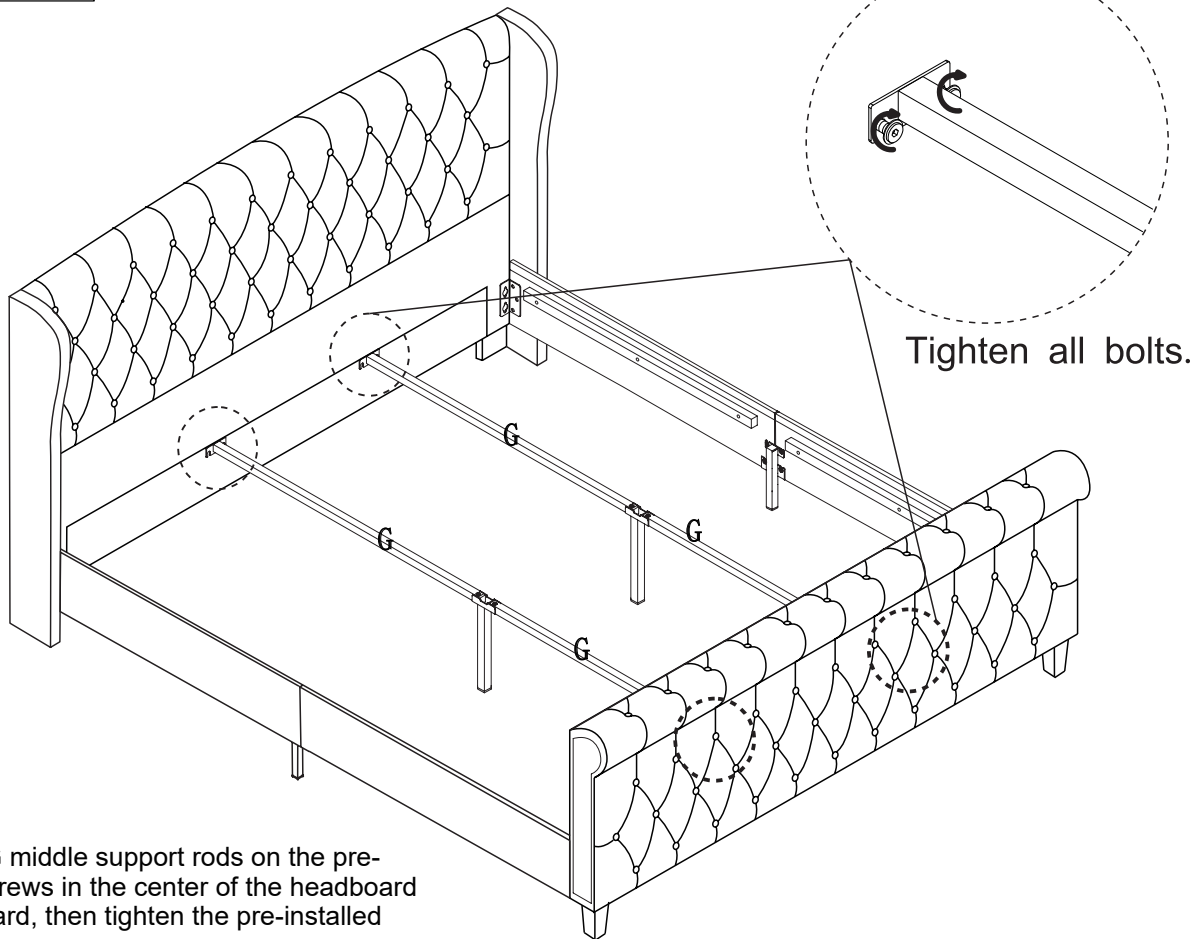
4PCS

Connect the J center legs to the two G middle support rods using C screws.

**Note:** Ensure the soundproof pads on the G middle support rods face upward.



# step13



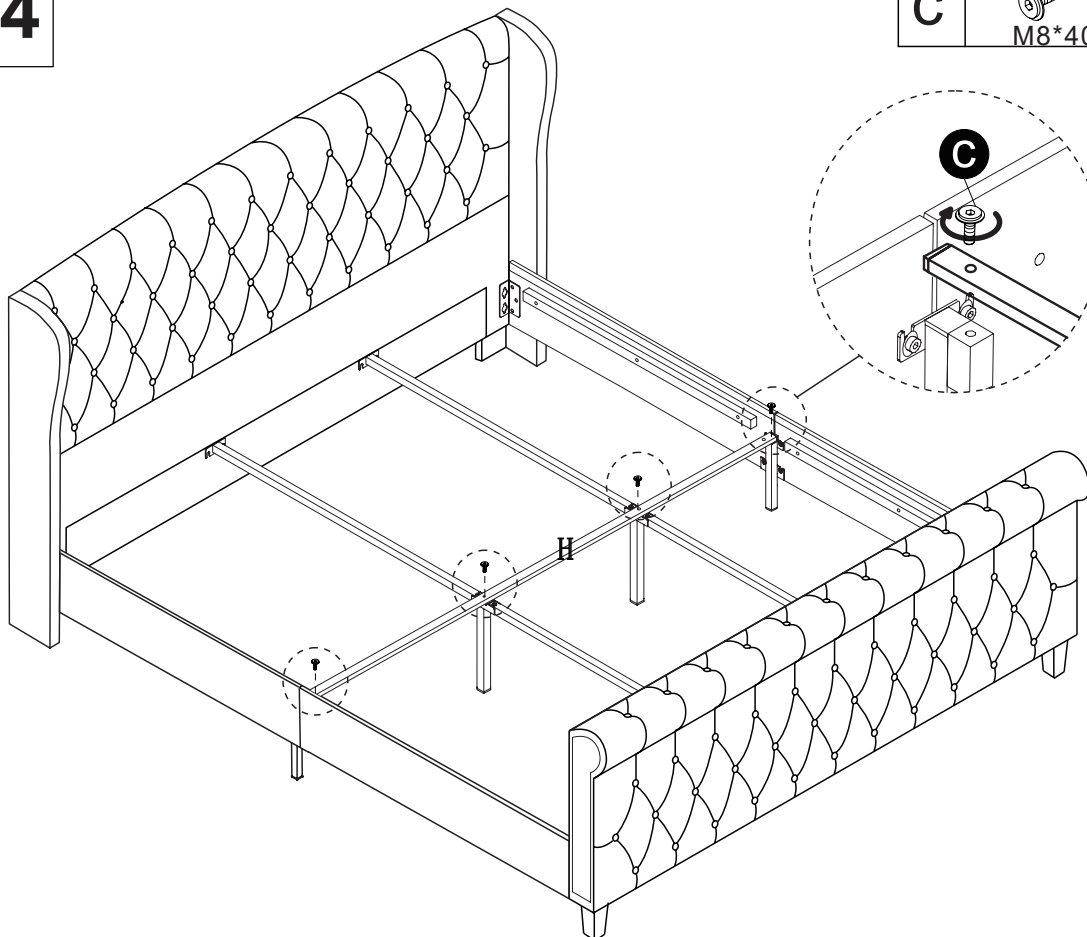
Hang the G middle support rods on the pre-installed screws in the center of the headboard and footboard, then tighten the pre-installed screws.

# step14

C

M8\*40

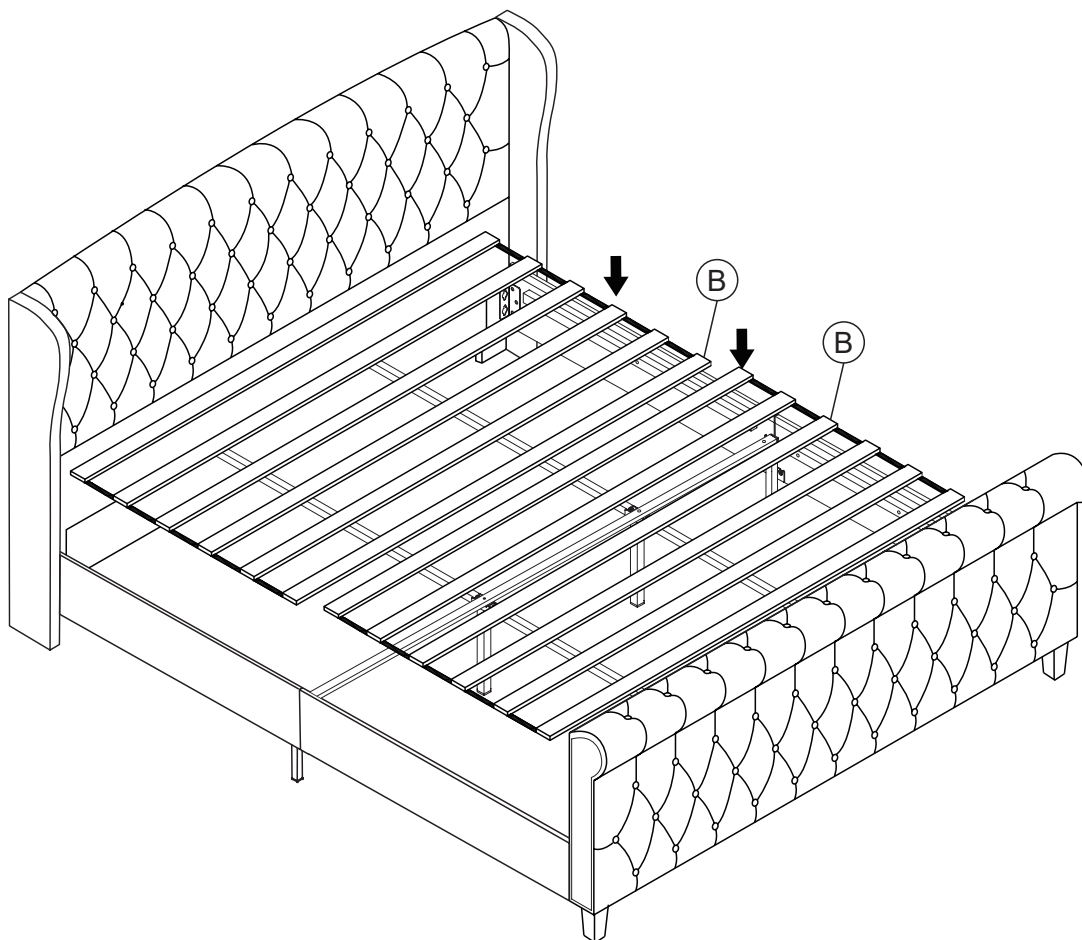
4PCS



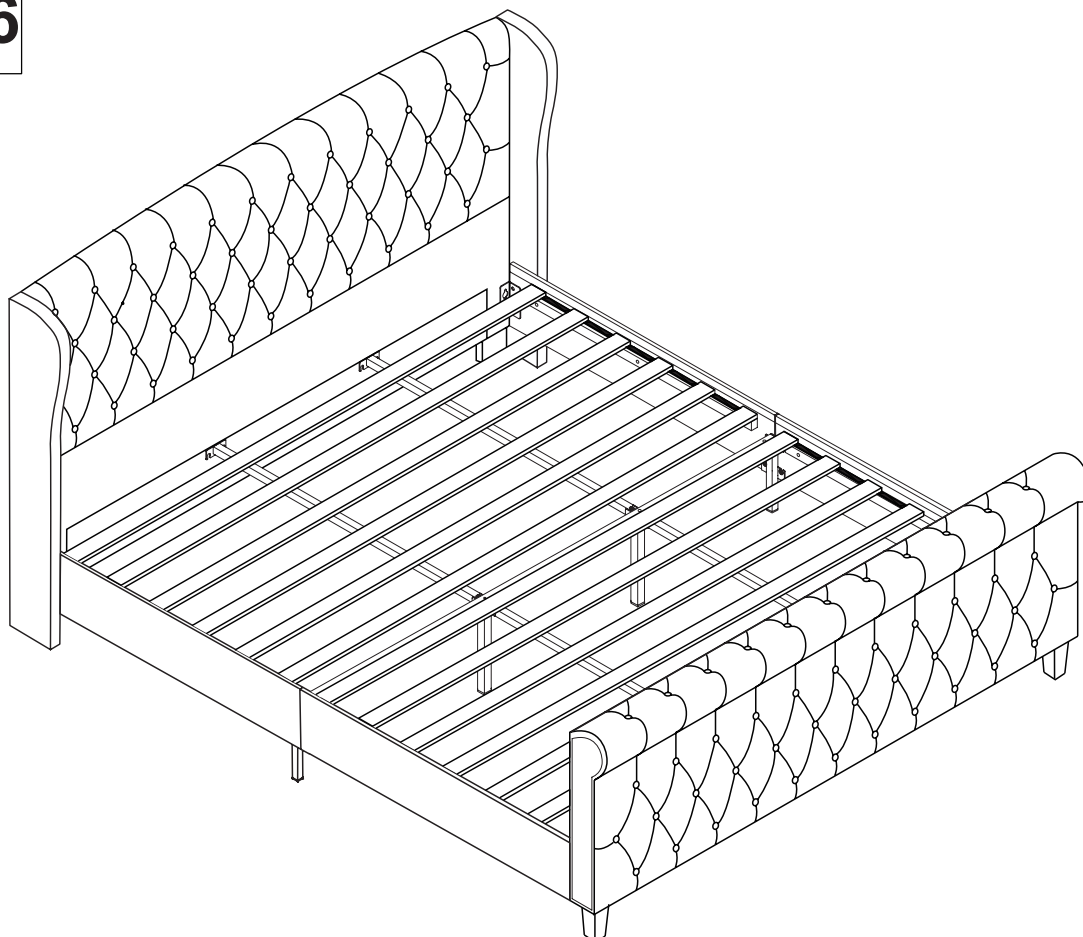
Install the H crossbeam onto the K side support legs and J center legs using C screws

## step 15

Evenly arrange the B slats and attach them to the I slat support bars with adhesive.



## step 16





## MAINTENANCE AND CARE

Follow these guidelines to preserve your furniture's durability and appearance:

### 1. Pest Prevention

- Keep furniture away from humid areas to prevent insects and wood damage.
- Use a dehumidifier or air conditioner in damp seasons.

### 2. Sunlight Protection

- Avoid direct sunlight to prevent warping and discoloration.
- Use curtains or UV-blocking films if exposure is unavoidable.

### 3. Fire Safety

- Keep furniture away from heat sources and open flames.

### 4. Regular Maintenance

- Apply furniture oil or polish periodically to prevent drying and cracks.

### 5. Cleaning Guidelines

- Dust regularly with a soft cloth or vacuum.
- Use a slightly damp cloth for cleaning and dry immediately.

### 6. Moisture Control

- Ensure proper ventilation to prevent mold or swelling.

### 7. Avoid Chemicals

- Do not use harsh cleaners, acids, or strong solvents.

### 8. Protective Measures

- Use coasters, placemats, and felt pads to prevent scratches and stains.

### 9. Sun Exposure Limitation

- Position furniture in shaded areas to avoid drying and fading.

Note: Improper care may void the warranty. Contact customer support for assistance