

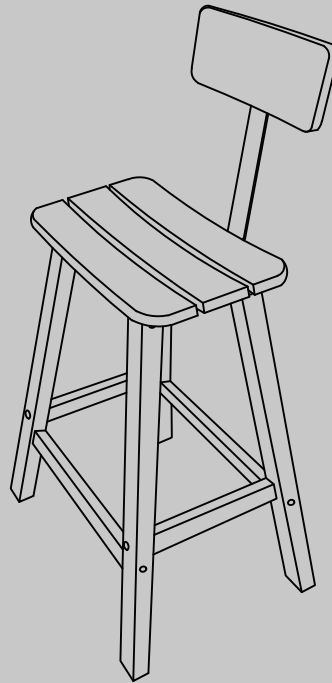


Do Best & Enjoy!

ASSEMBLY INSTRUCTION

HDPE Bar Chair

SKU:ECA-PB09-12

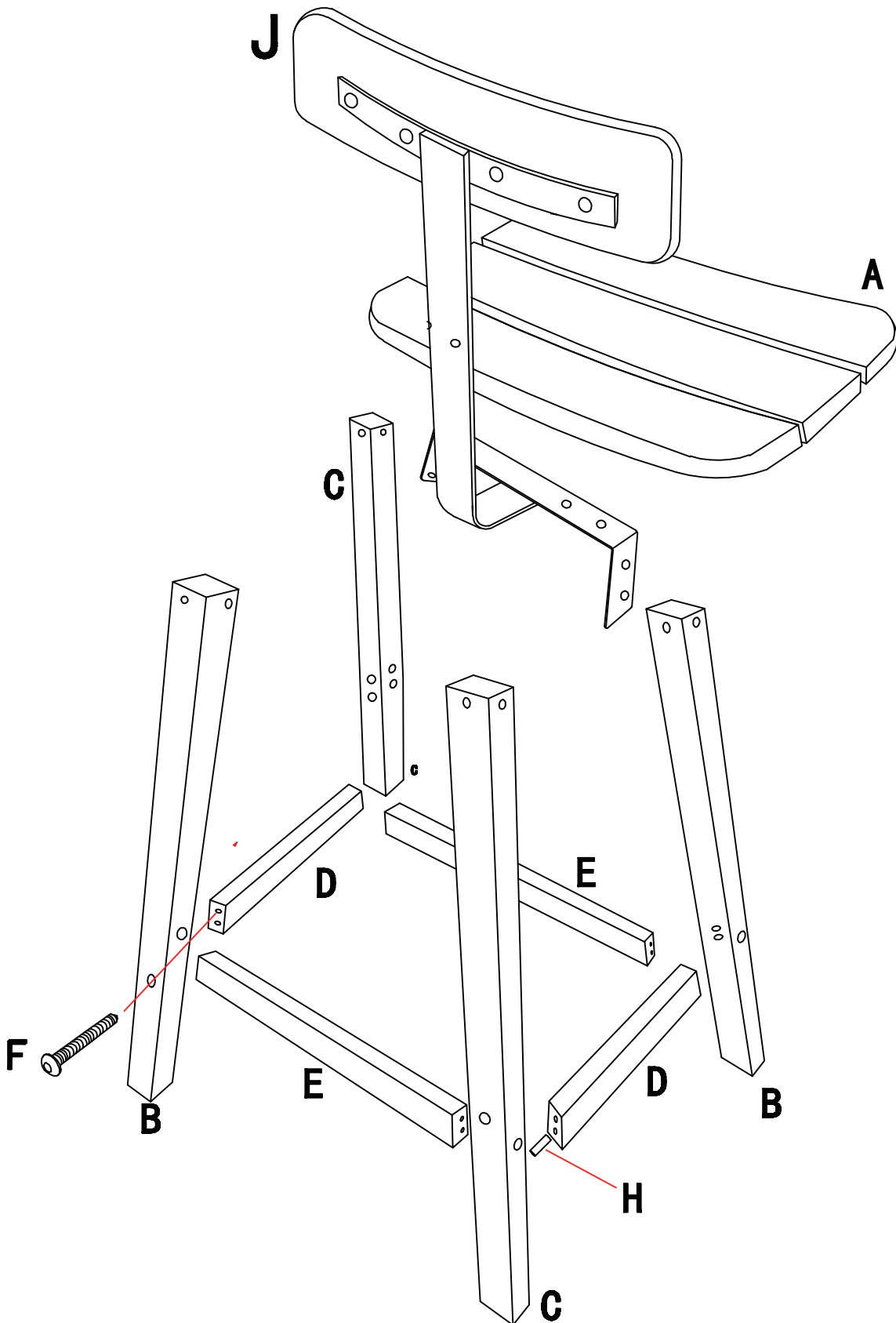


**IMPORTANT: RETAIN FOR FUTURE REFERENCE,
READ CAREFULLY**

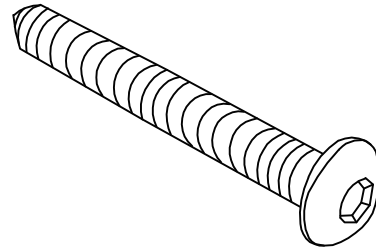
For parts and customer service, please send E-mail to
customerservice@nagabahna.com.cn

Monday to Friday, from 8:30 AM to 4:30 PM, EST.

Parts List



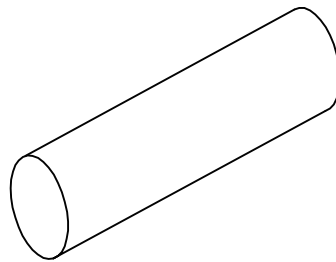
F



M6*70

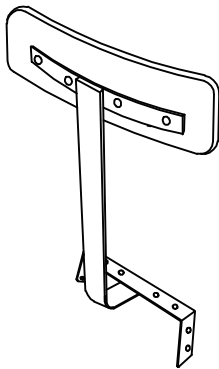
16pc

H



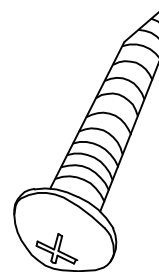
16pc

J



1pc

K



M4*25

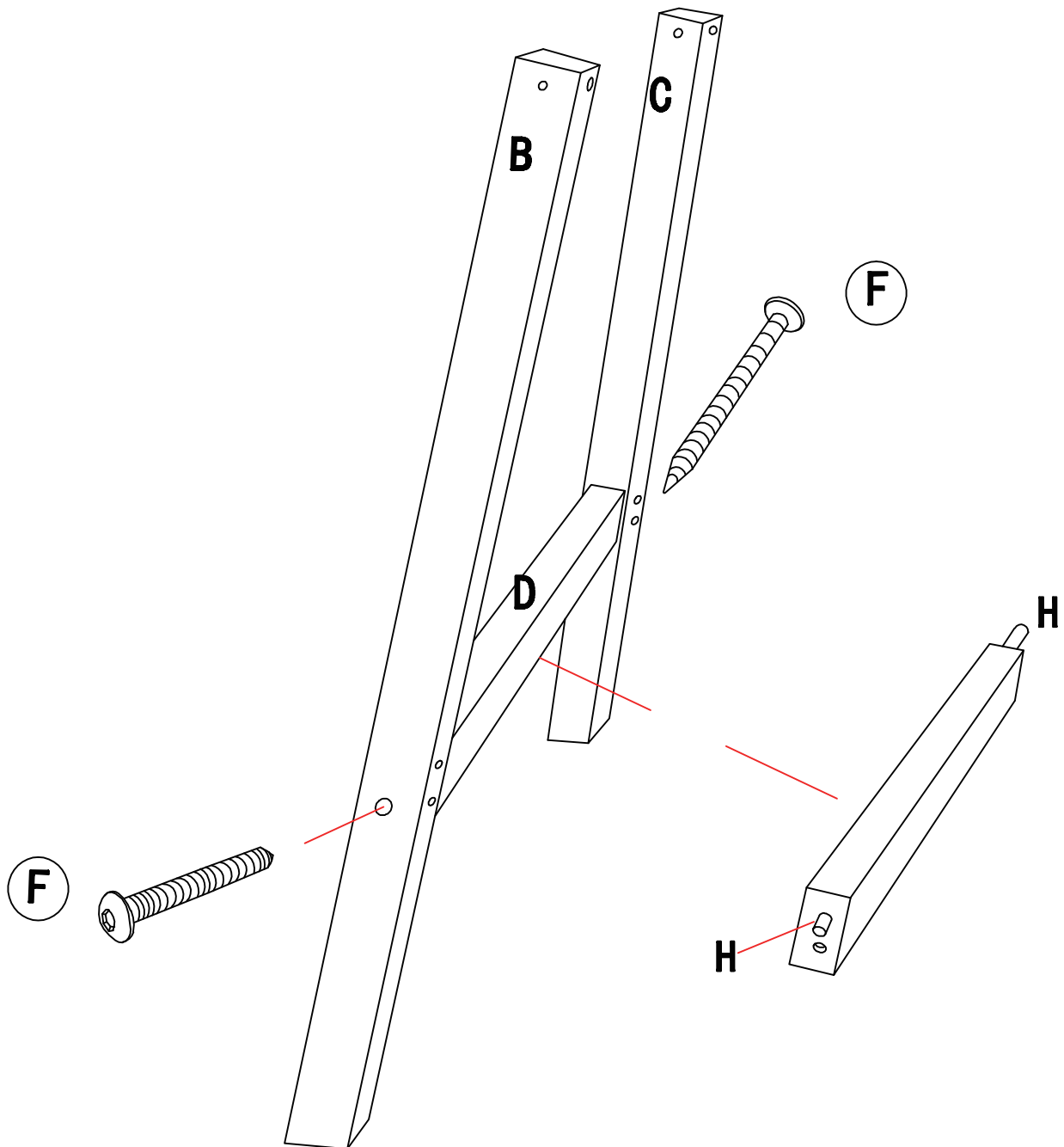
8pc

I



1pc

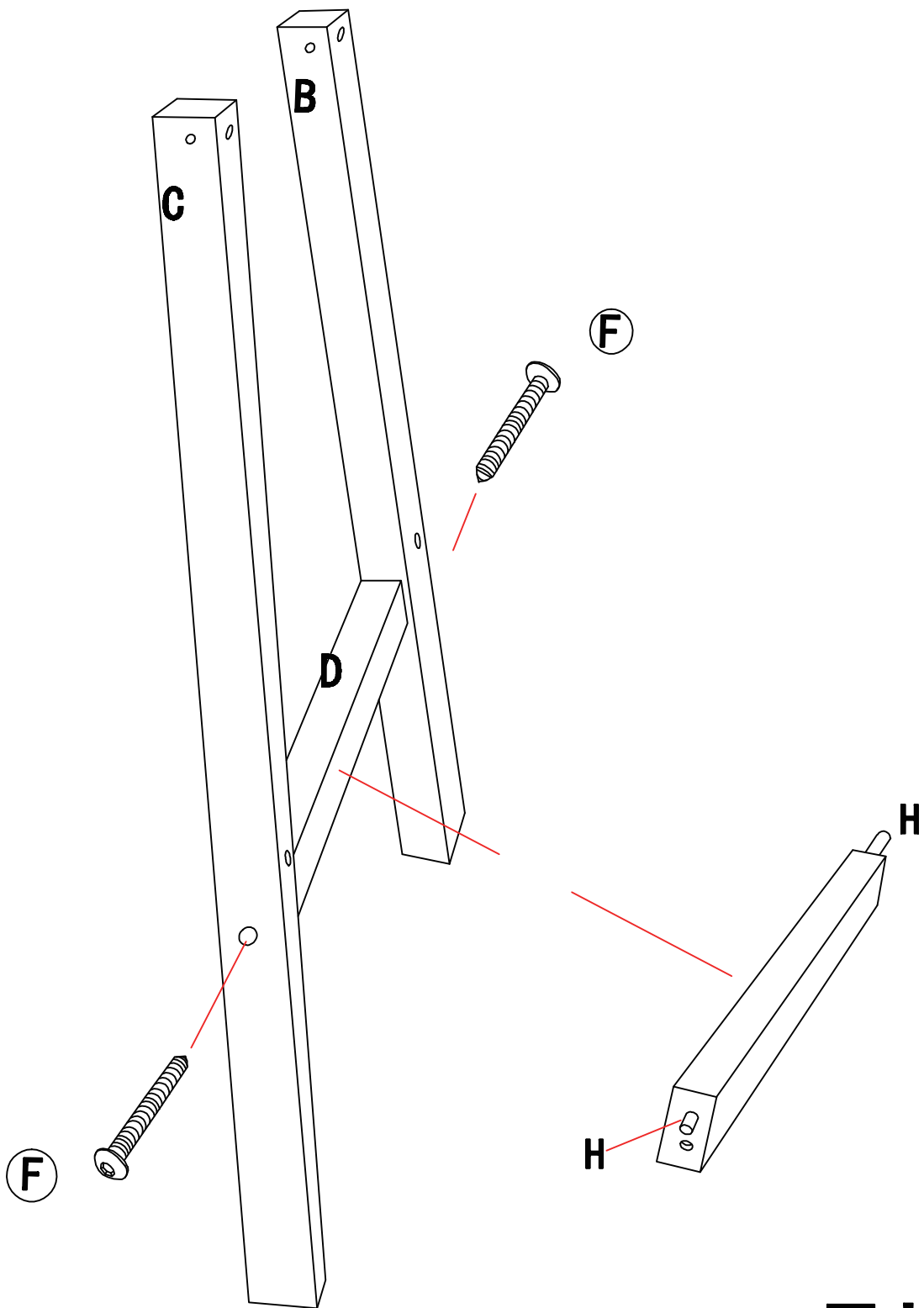
STEP 1



F*2

H*2

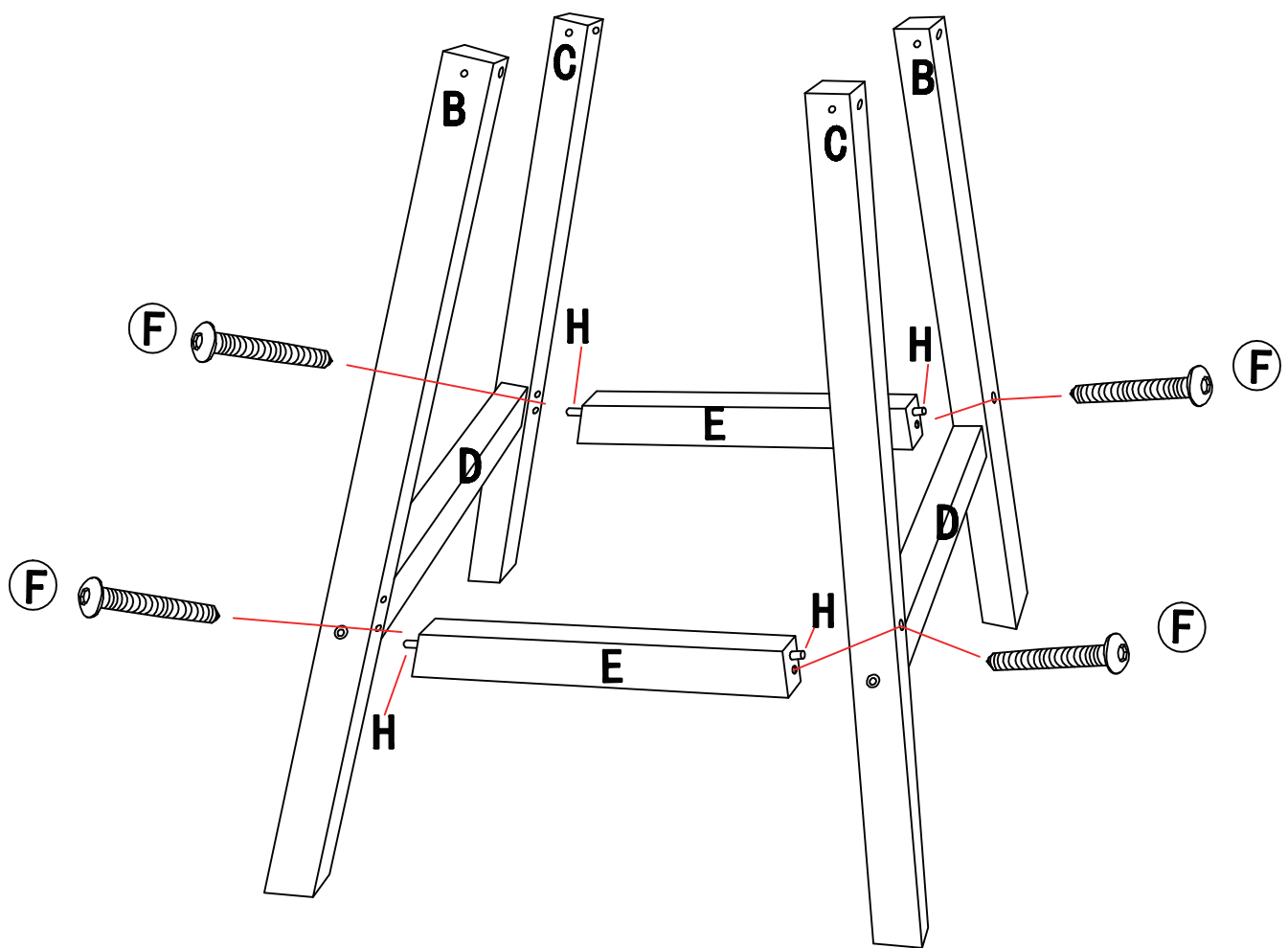
STEP 2



F*2

H*2

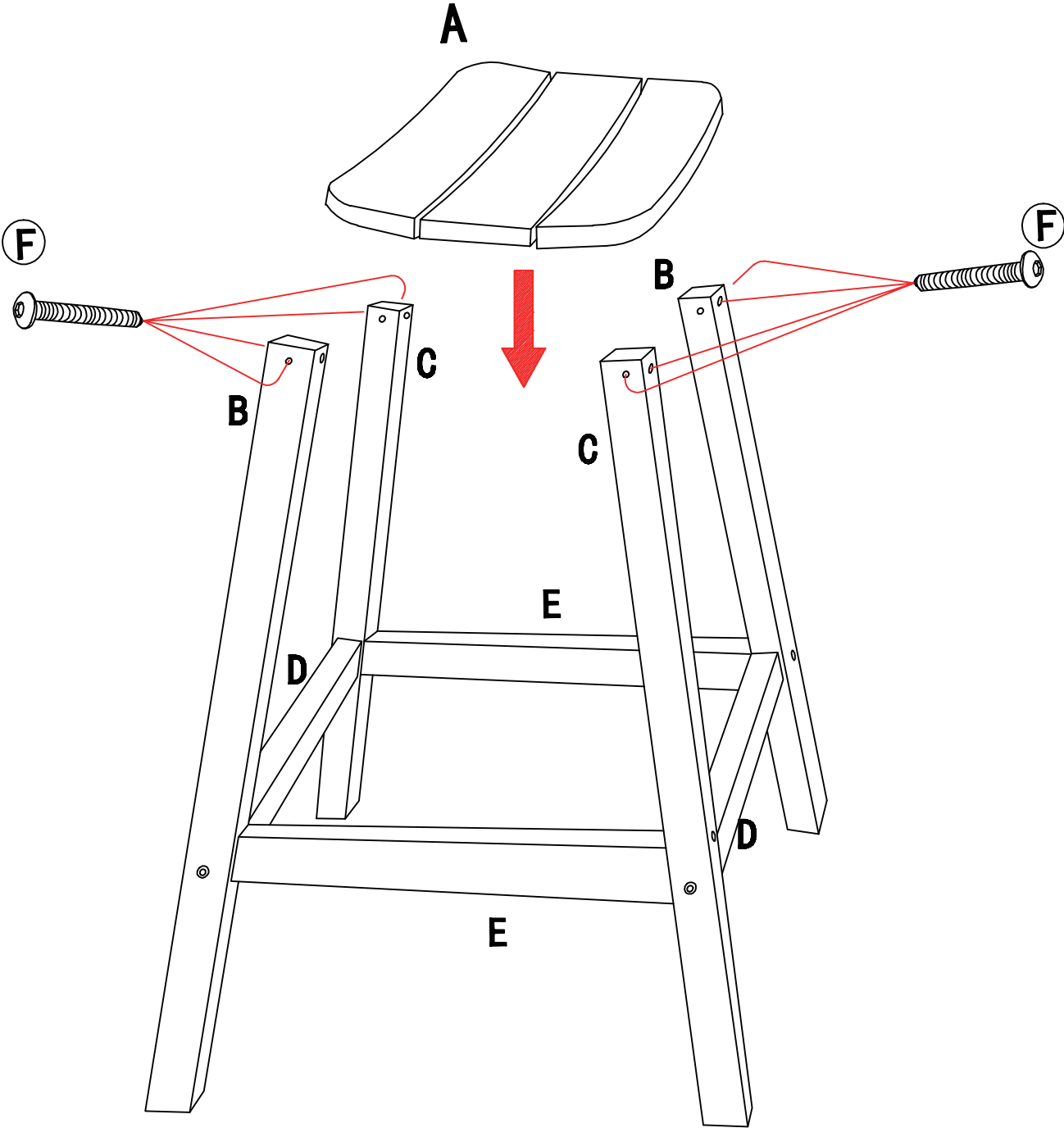
STEP 3



F*4

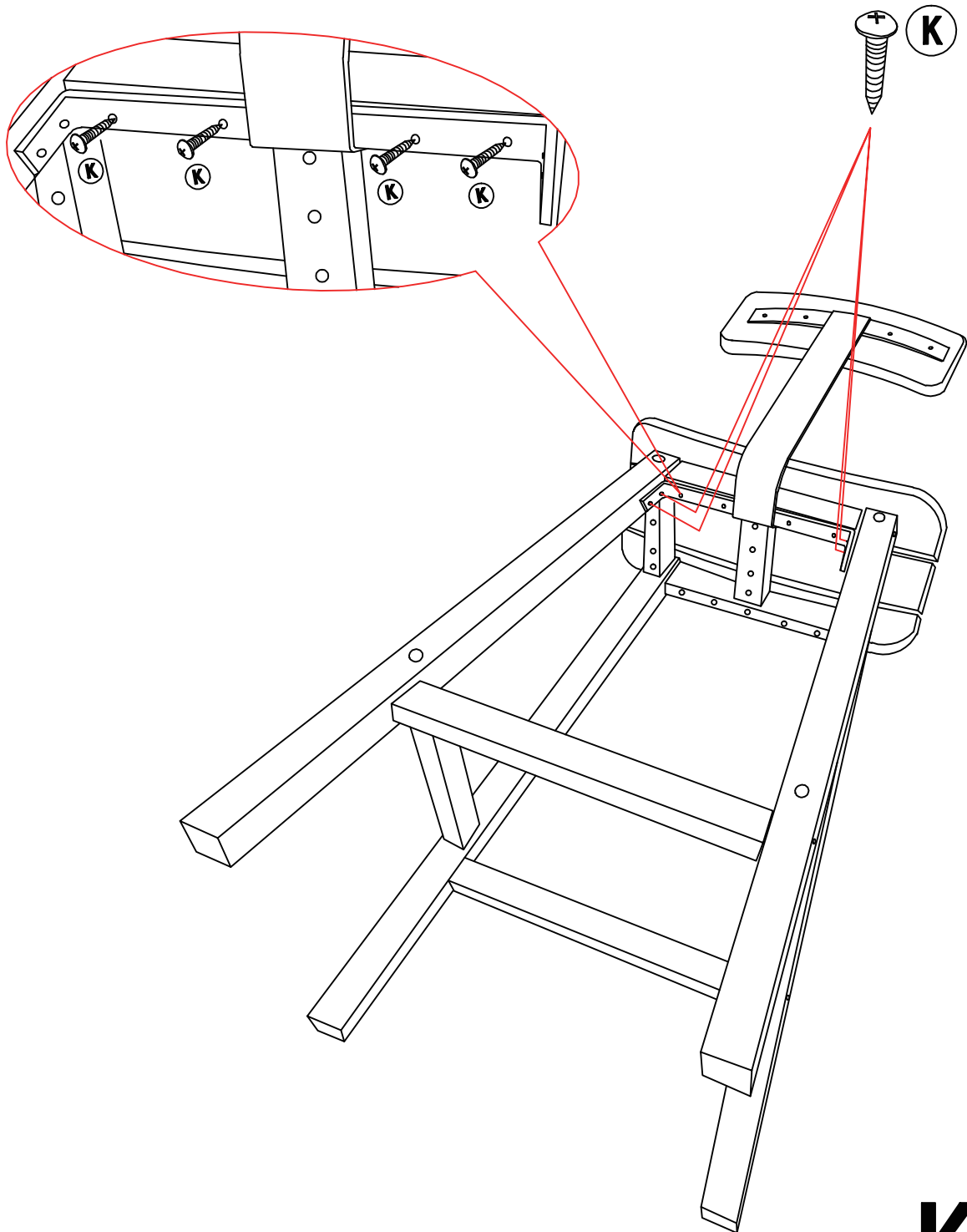
H*4

STEP 4



F*8

STEP 5



K*8

Limited Warranty

We appreciate your feedback and will do our best to guarantee your satisfaction. If you have any questions, please contact us at **customerservice@nagabahna.com.cn**. Our professional after-sales service team is always here for you.

This is the only express warranty for this product and is in lieu of any other warranty or condition. This product is warranted to be free from defects in material and workmanship for a period of one (1) year from the date of original purchase. During this period, your exclusive remedy is repair or replacement of this product or any component found to be defective, at our option; however, you are responsible for all costs associated with returning the product to us and our returning a product or component under this warranty to you. If the product or component is no longer available, we will replace with a similar one of equal or greater value.

This warranty does not include Waterproof cover, wear from normal use, use not in conformity with the printed directions, or damage to the product resulting from accident, alteration, abuse, or misuse. This warranty extends only to the original consumer purchaser or gift recipient. Keep the original sales receipt, as proof of purchase is required to make a warranty claim.

This warranty is void if the product is used for other than single-family household use or receive external force for artificial damage. We exclude all claims for special, incidental, and consequential damages caused by breach of express or implied warranty. All liability is limited to the amount of the purchase price. Every implied warranty, including any statutory warranty or condition of merchantability or fitness for a particular purpose, is disclaimed except to the extent prohibited by law, in which case such warranty or condition is limited to the duration of this written warranty. This warranty gives you specific legal rights. You may have other legal rights that vary depending on where you live. Some states or provinces do not allow limitations on implied warranties or special, incidental, or consequential damages, so the foregoing limitations may not apply to you.