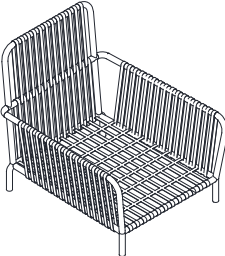
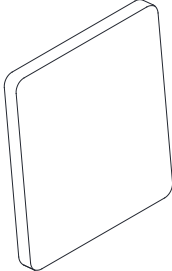
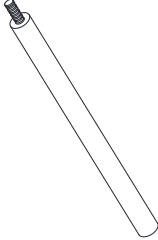
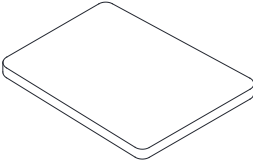
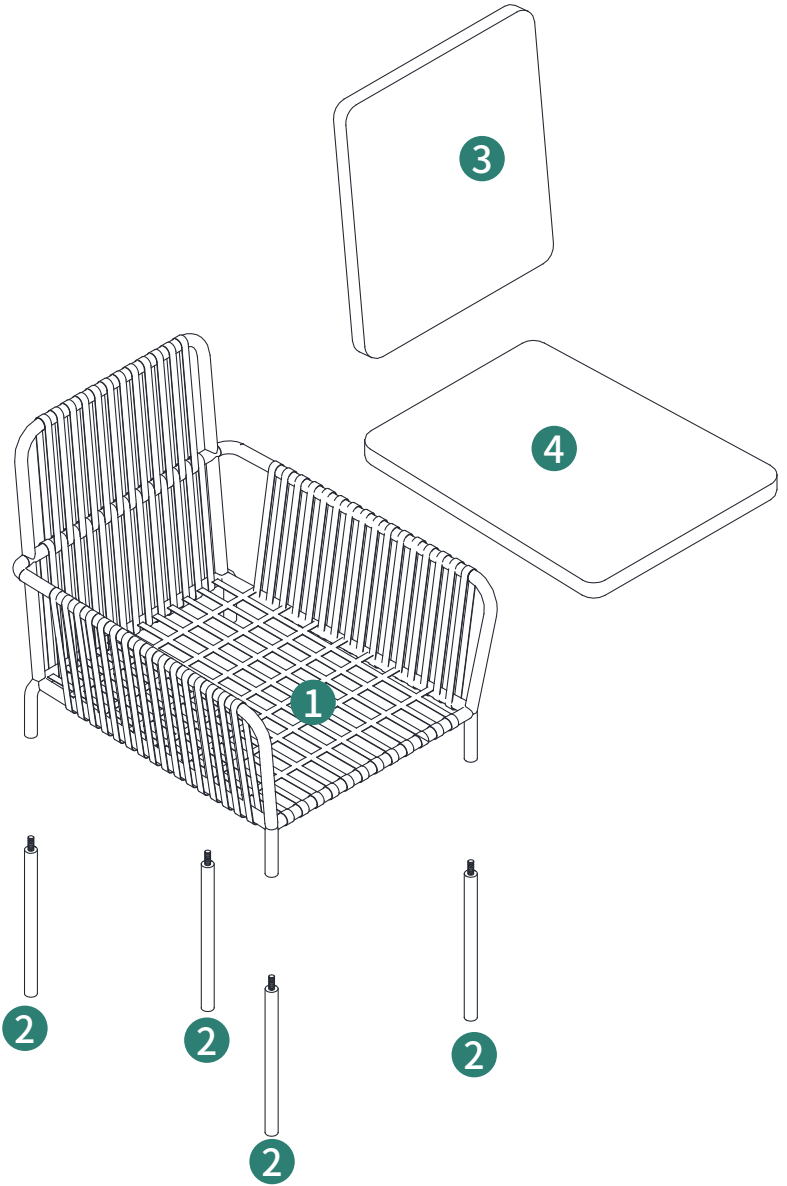


PATIO DINING CHAIR

Notice:

1. Follow the installation instructions. Please confirm all accessories are preset before installation.
2. Do not fully tighten the screws during initial assembly. Fully tighten screws only once all pieces which are correctly assembled.
3. If you encounter any problems during installation, refer to two solutions: Follow the installation video tutorial on the Amazon product page or contact our customer service.

Item no.	Reference Image	Qty.	Item no.	Reference Image	Qty.
1		×1	3		×1
2		×4	4		×1



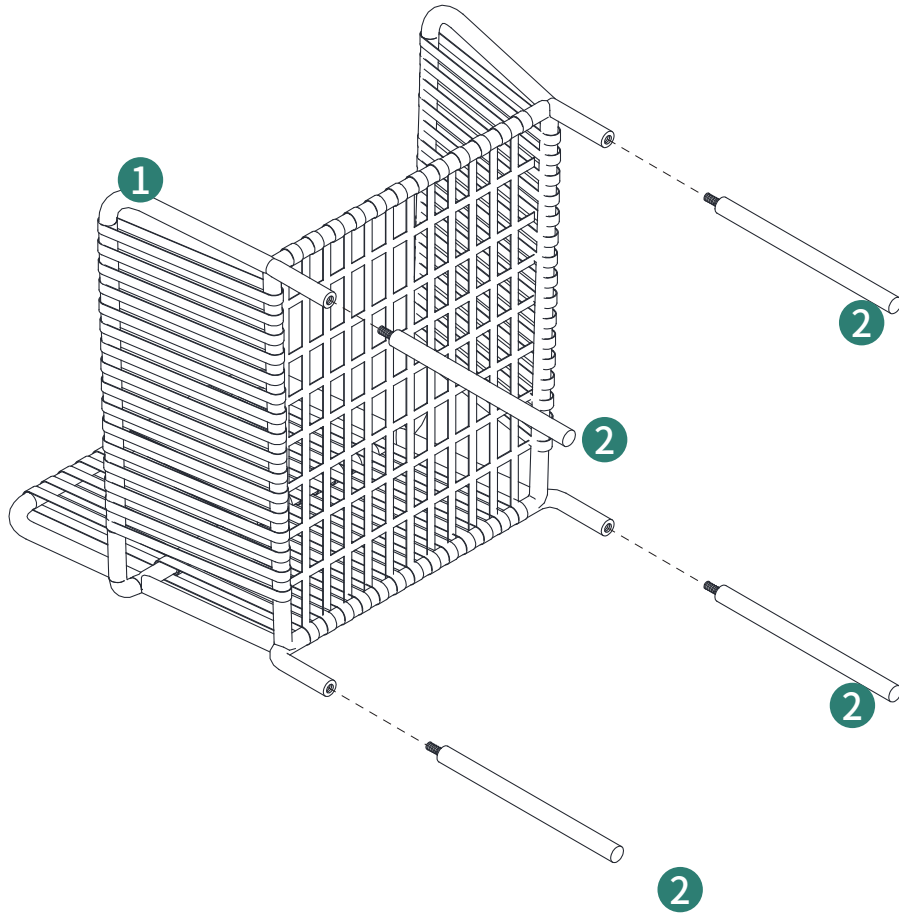
1



① 1PCS

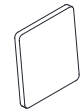


② 4PCS

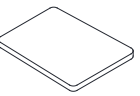


3

2



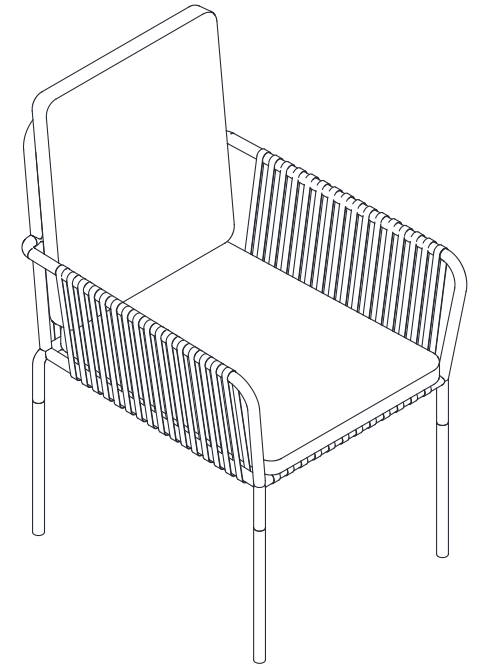
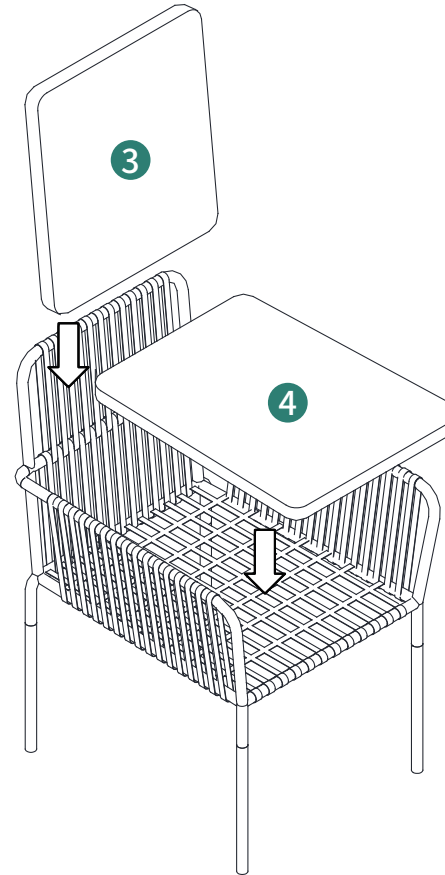
③ 1PCS



④ 1PCS

Notice:

1.The other chairs are installed in the same way.



Installation Completed

4